



US00D416718S

United States Patent [19] Chatman

[11] Patent Number: **Des. 416,718**

[45] Date of Patent: **** Nov. 23, 1999**

[54] **SEAT CUSHION WITH MARKER AND POCKET**

[75] Inventor: **Dean A. Chatman**, 16535 Bellflower Blvd., Bellflower, Calif. 90706

[73] Assignee: **Dean A. Chatman**, Bellflower, Calif.

[**] Term: **14 Years**

[21] Appl. No.: **29/085,282**

[22] Filed: **Mar. 19, 1998**

[51] **LOC (6) Cl.** **06-06**

[52] **U.S. Cl.** **D6/502; D6/601**

[58] **Field of Search** D6/334, 336, 368, D6/375, 500-502, 596, 601; D19/88; D20/42; 297/330, 338, 344.12, 344.16, 344.17, 344.18, 344.19, 411.23, DIG. 1, DIG. 8, 188.01, 188.08, 183.5, 219.1; 248/345.1; D3/274; 5/652, 653, 656

[56] **References Cited**

U.S. PATENT DOCUMENTS

D. 258,482	3/1981	Strock	5/653
D. 293,868	1/1988	Paletta et al.	D6/601
D. 306,543	3/1990	Pestuglicci et al.	5/653
D. 340,814	11/1993	Grant	D6/568
D. 357,609	4/1995	Webb et al.	D6/601
D. 362,579	9/1995	Short	D6/596
D. 363,951	11/1995	Chatman	D6/334

D. 366,800	2/1996	Moore, Jr.	D6/596
D. 377,574	1/1997	Mades	D6/336
D. 377,948	2/1997	Pruhs	D20/42
D. 379,282	5/1997	Hueneke	D6/601
4,597,605	7/1986	Gilbert	297/191.1
4,843,662	7/1989	Handelman	D6/601

Primary Examiner—Doris V. Coles
Assistant Examiner—Mimosa De
Attorney, Agent, or Firm—Fulbright & Jaworski LLP

[57] **CLAIM**

The ornamental design for a seat cushion with marker and pocket, as shown and described.

DESCRIPTION

FIG. 1 is a front perspective view of a seat cushion with marker and pocket showing my new design, the characteristic feature of which resides in the shape and placement of the marker and the pocket, it being understood that the broken line showing of a sign is for illustrative purpose only and forms no part of the claimed design.

FIG. 2 is a left side elevational view thereof, the right side elevational view being the mirror image;

FIG. 3 is a top plan view thereof;

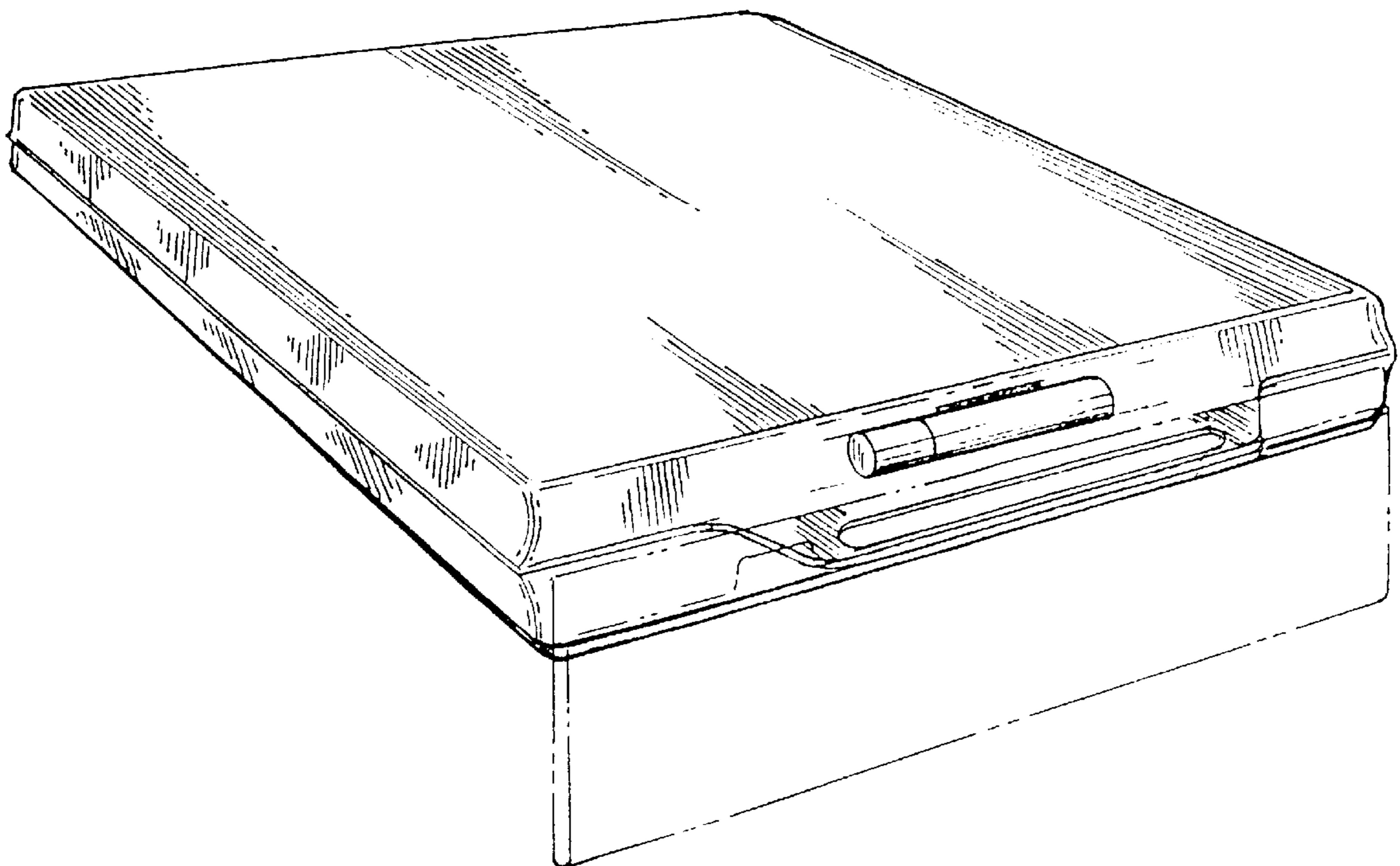
FIG. 4 is a front elevational view thereof;

FIG. 5 is a bottom plan view thereof;

FIG. 6 is a rear elevation view thereof; and,

FIG. 7 is a front perspective exploded view thereof showing connection of the marker by hook and loop fastener.

1 Claim, 4 Drawing Sheets



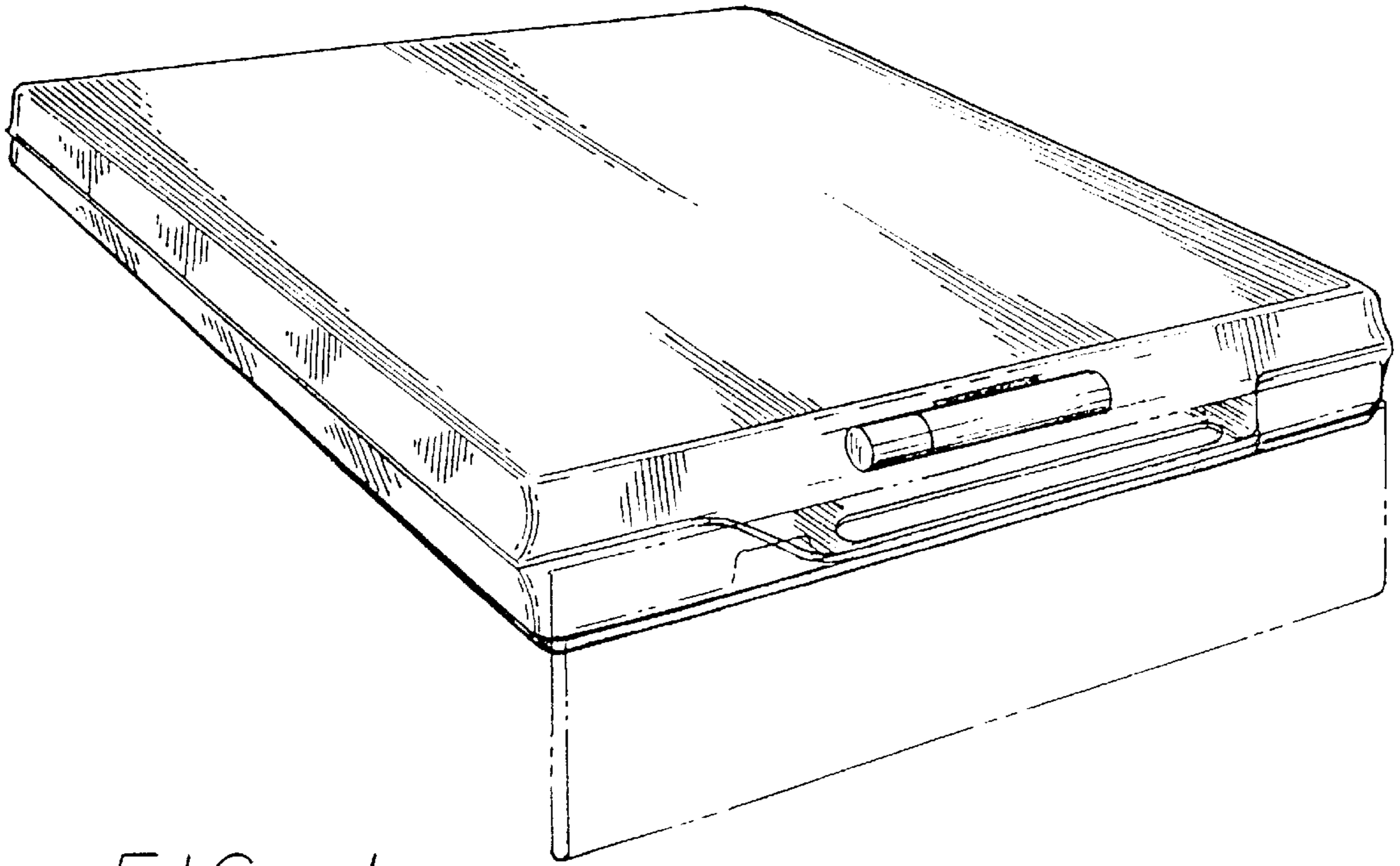


FIG. 1

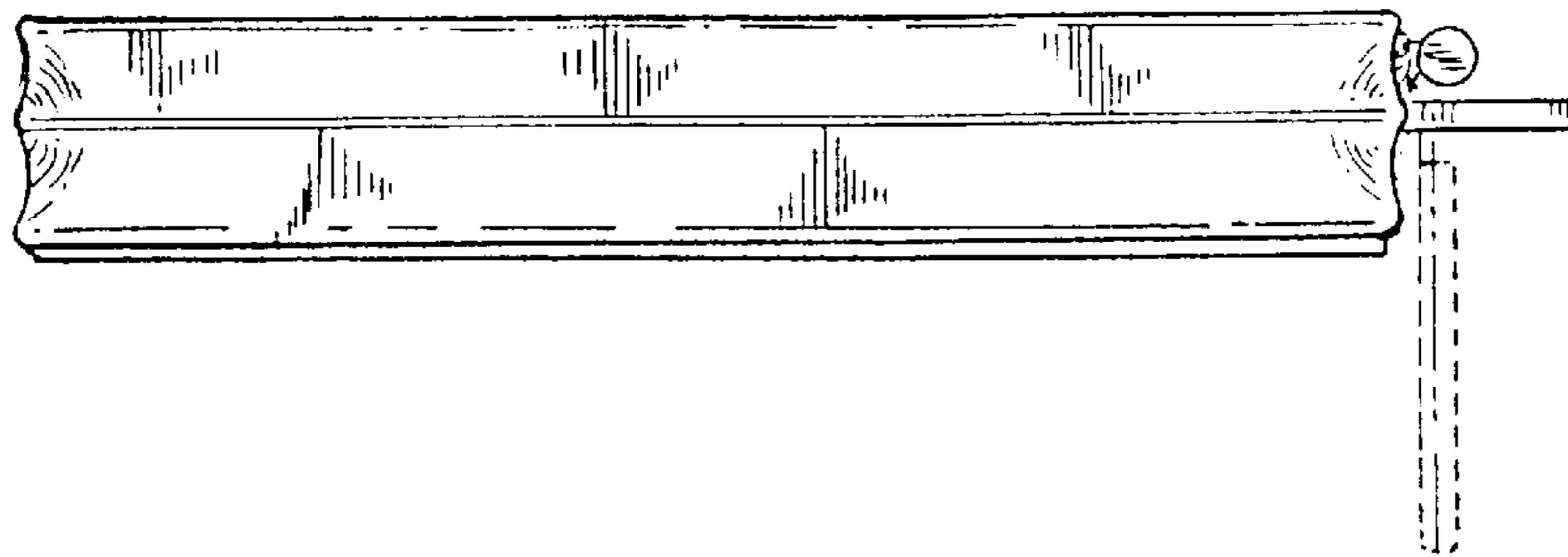


FIG. 2

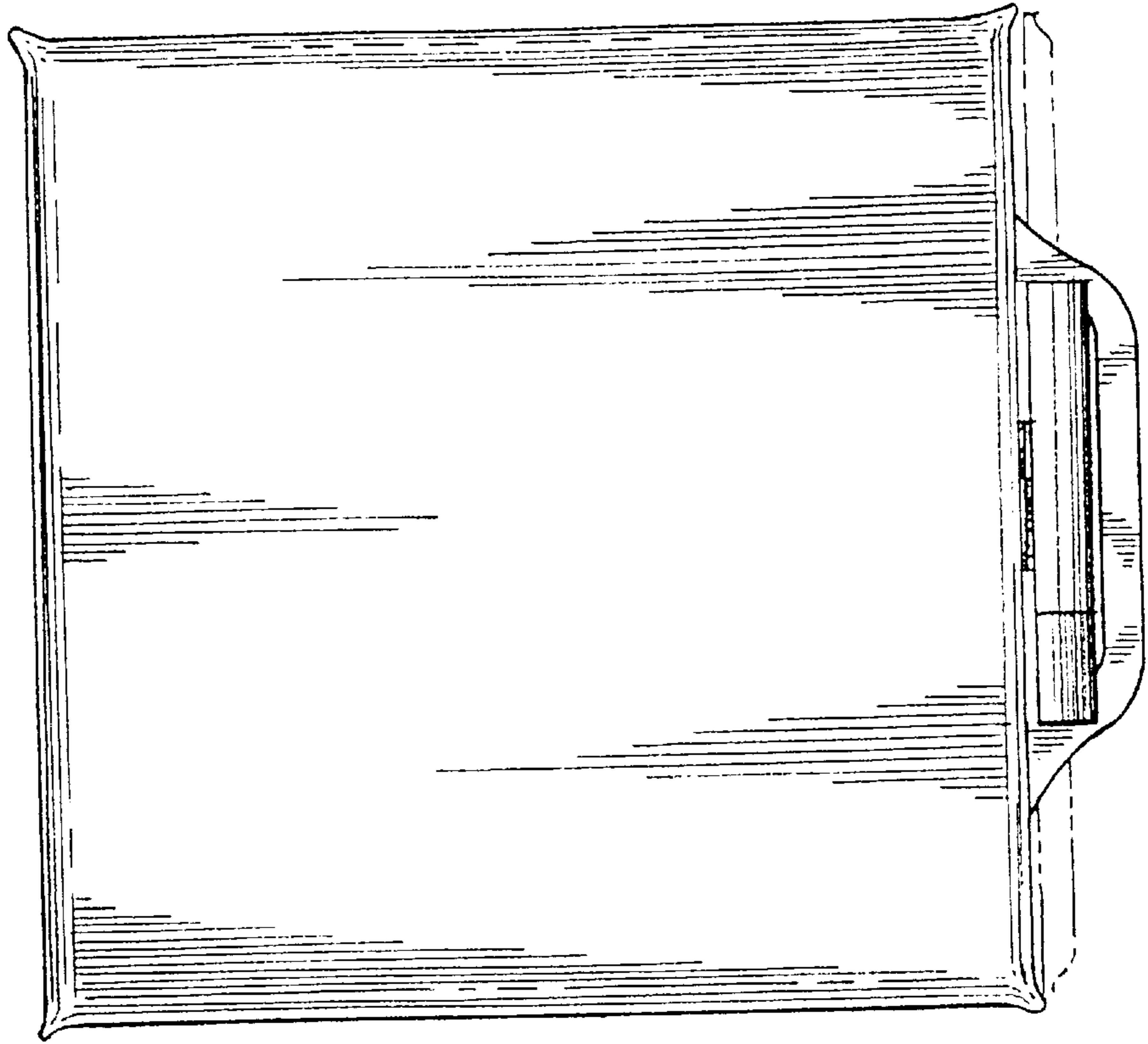


FIG. 3

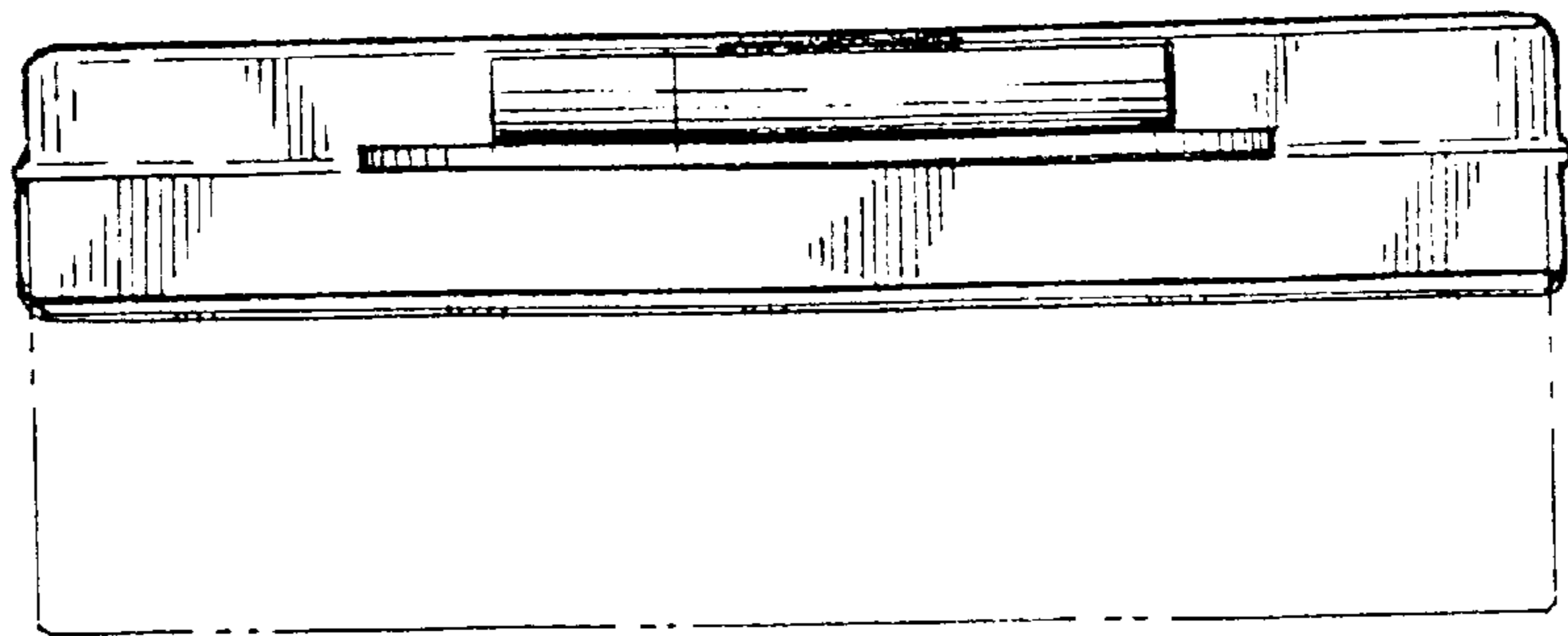


FIG. 4

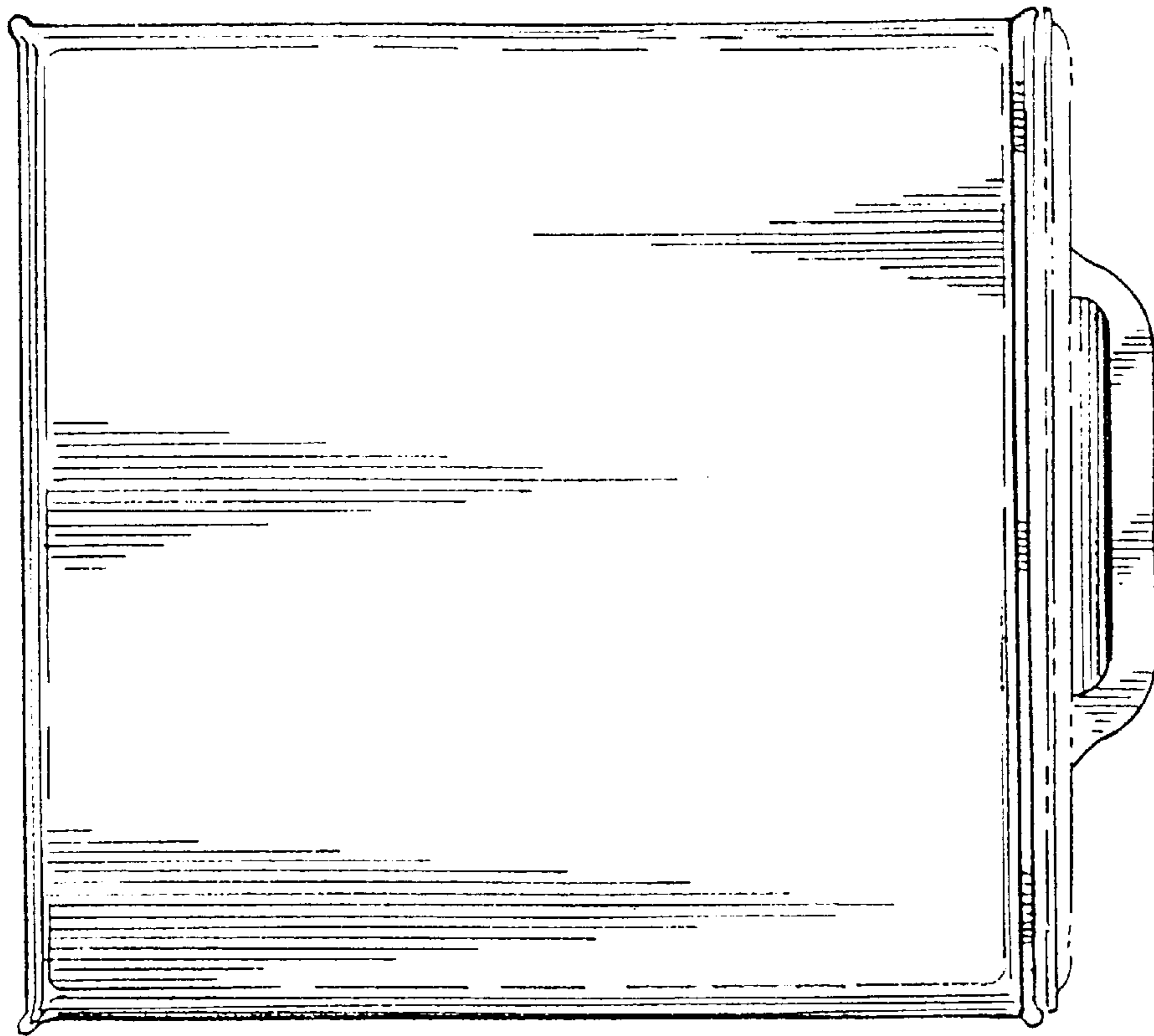


FIG. 5

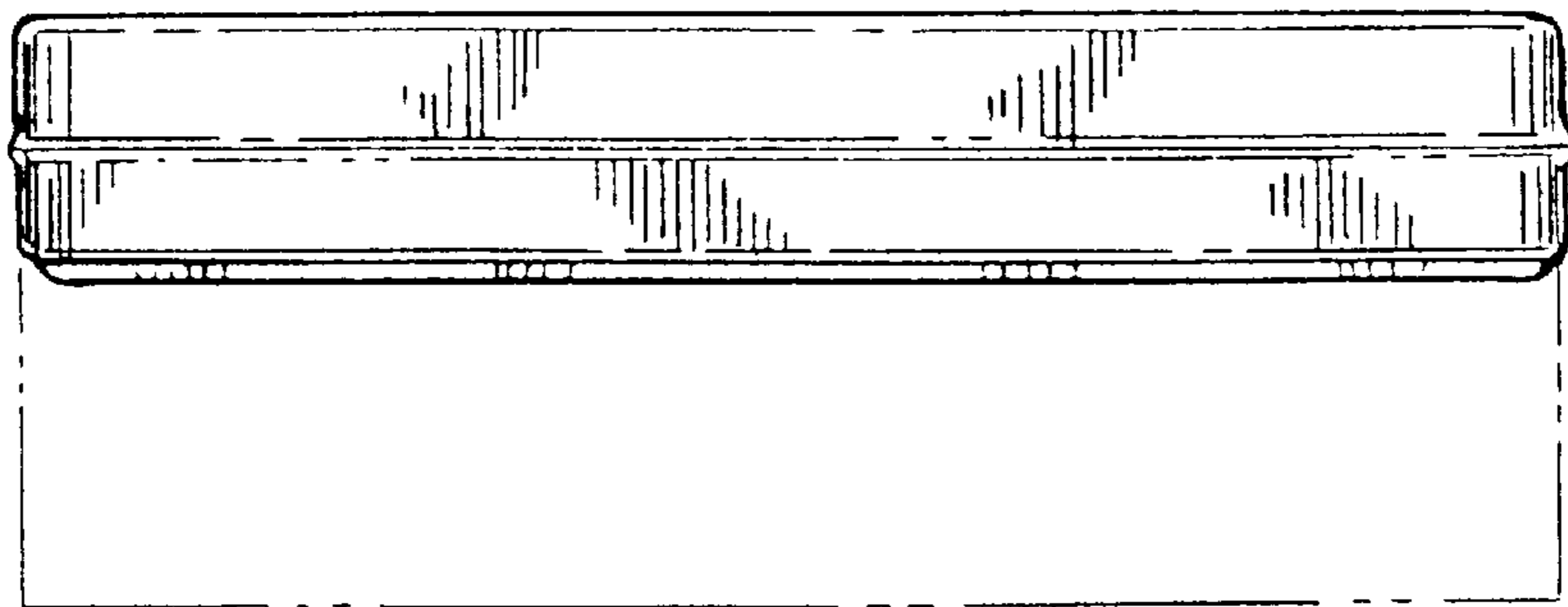


FIG. 6

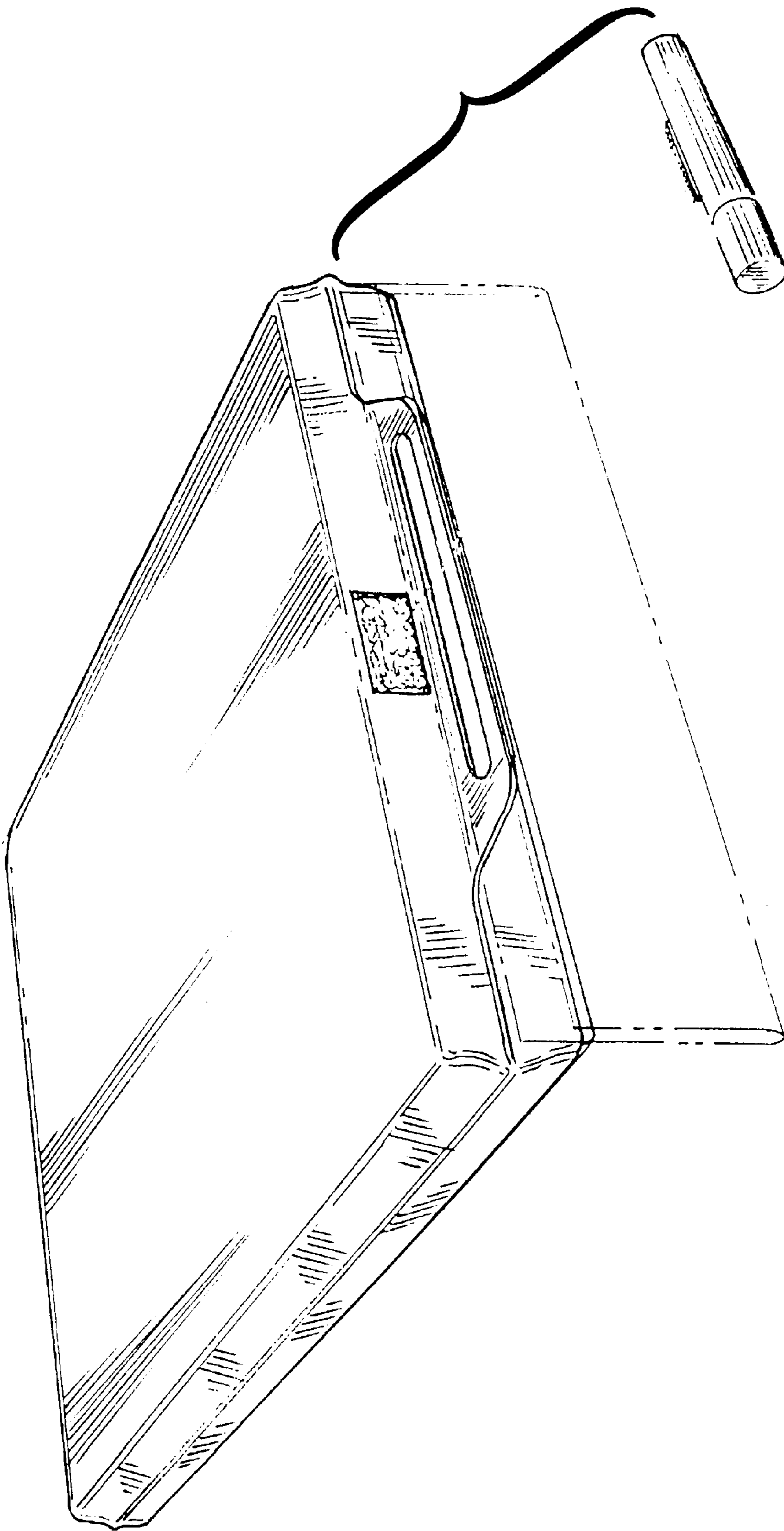


FIG. 7