



US00D416717S

United States Patent [19]

Chalmers et al.

[11] Patent Number: **Des. 416,717**

[45] Date of Patent: **** Nov. 23, 1999**

[54] **CHAIR FRAME**

[75] Inventors: **Richard R. Chalmers**, Camden;
Gilbert V. Harper, Cushing, both of
Me.

[73] Assignee: **Imagineering, Inc.**, Rockland, Me.

[**] Term: **14 Years**

[21] Appl. No.: **29/100,528**

[22] Filed: **Feb. 12, 1999**

[51] **LOC (6) Cl.** **06-06**

[52] **U.S. Cl.** **D6/500; D6/370**

[58] **Field of Search** D6/334, 370, 374,
D6/376, 379, 380, 381, 500, 501, 502;
297/232, 411.41, 411.42, 445.1, 446.1,
452.63

[56] **References Cited**

U.S. PATENT DOCUMENTS

D. 212,470	10/1968	Rutter	D6/370
D. 224,612	8/1972	Yuenger	D6/374
D. 224,635	8/1972	Yuenger	D6/370 X
D. 279,436	7/1985	Giorgetti	D6/370
D. 311,461	10/1990	Lee et al.	D6/380
D. 329,338	9/1992	Komai et al.	D6/370
D. 333,042	2/1993	Komai et al.	D6/370

D. 341,263	11/1993	Gehry	D6/370
D. 341,264	11/1993	Gehry	D6/370
D. 348,572	7/1994	Glass	D6/379
1,192,941	8/1916	Schmid	297/452.63 X

OTHER PUBLICATIONS

Weatherend(R) Estate Furniture, Retail Prices and Information, Feb. 1998 (6 pages, 12 sides).

Weatherend(R) Estate Furniture catalog (16 pages, 32 sides)© 1995.

Primary Examiner—Gary D. Watson

Attorney, Agent, or Firm—Heslin & Rothenberg, P.C.

[57] **CLAIM**

The ornamental design for a chair frame, as shown and described.

DESCRIPTION

FIG. 1 is a perspective view of a chair frame comprising the new design;

FIG. 2 is a left view identical to mirror image of right side view thereof;

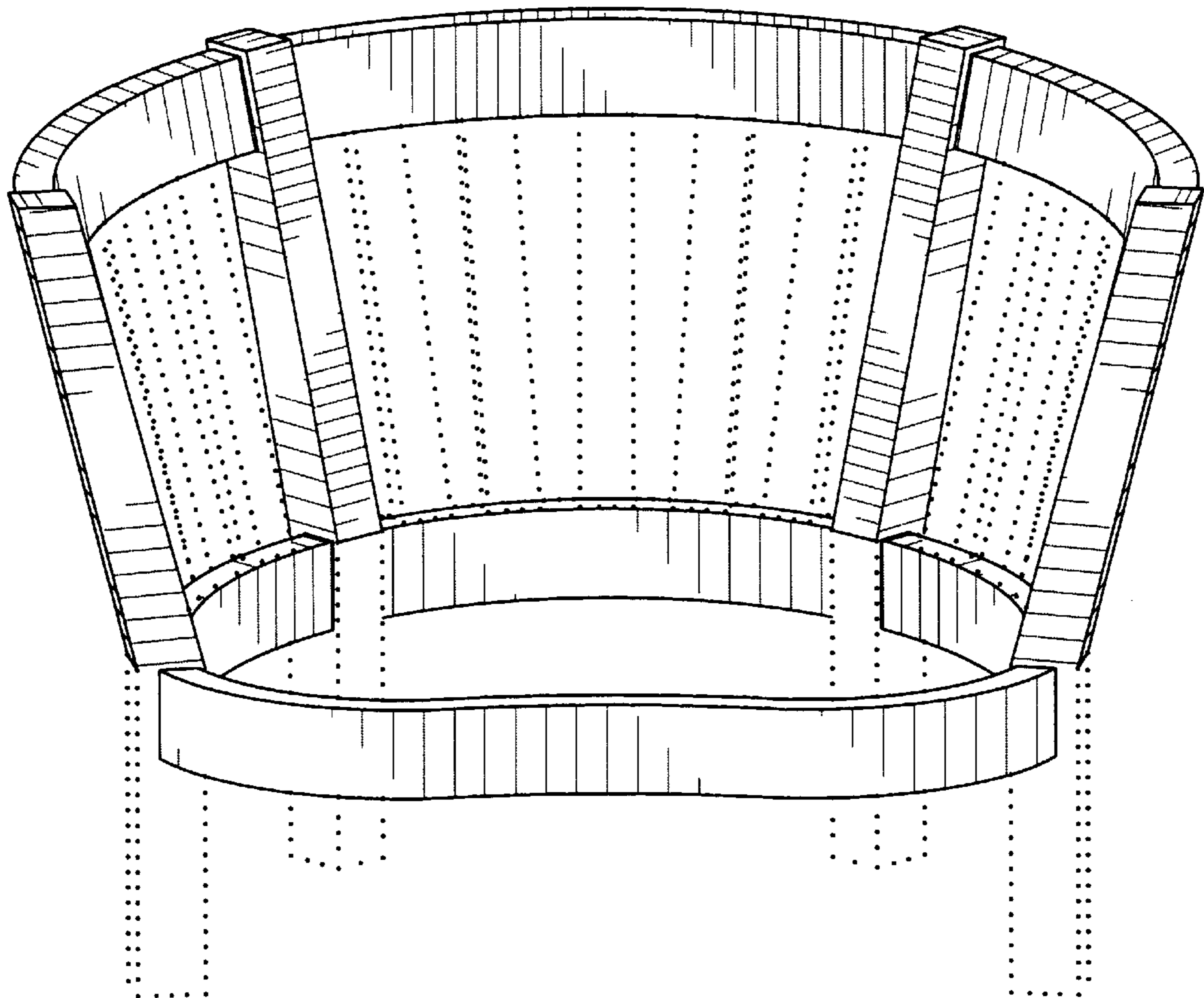
FIG. 3 is a back view thereof;

FIG. 4 is a front view thereof; and,

FIG. 5 is a top view thereof.

The broken line showing is for illustrative purposes and forms no part of the claimed design.

1 Claim, 5 Drawing Sheets



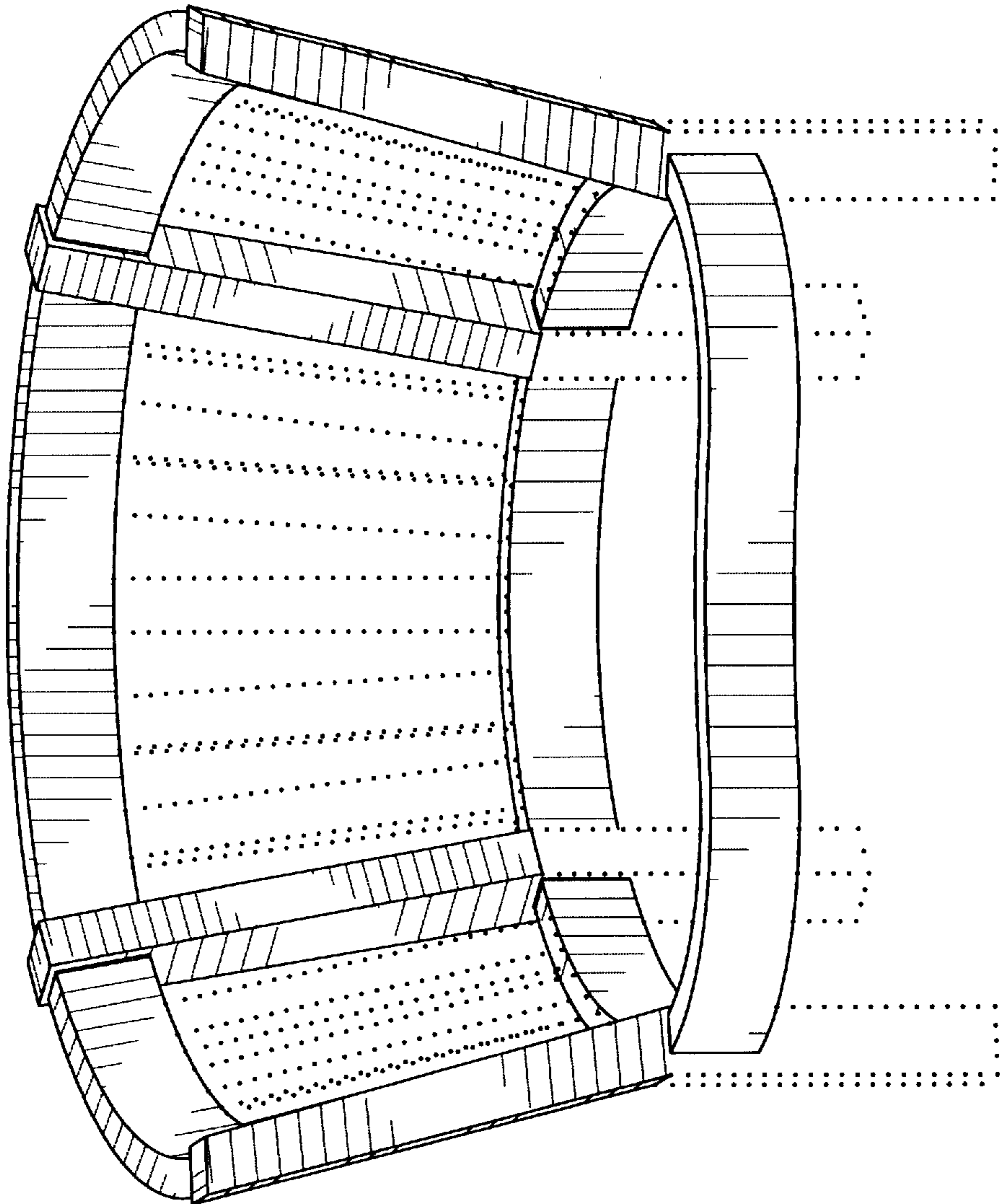


FIG. 1

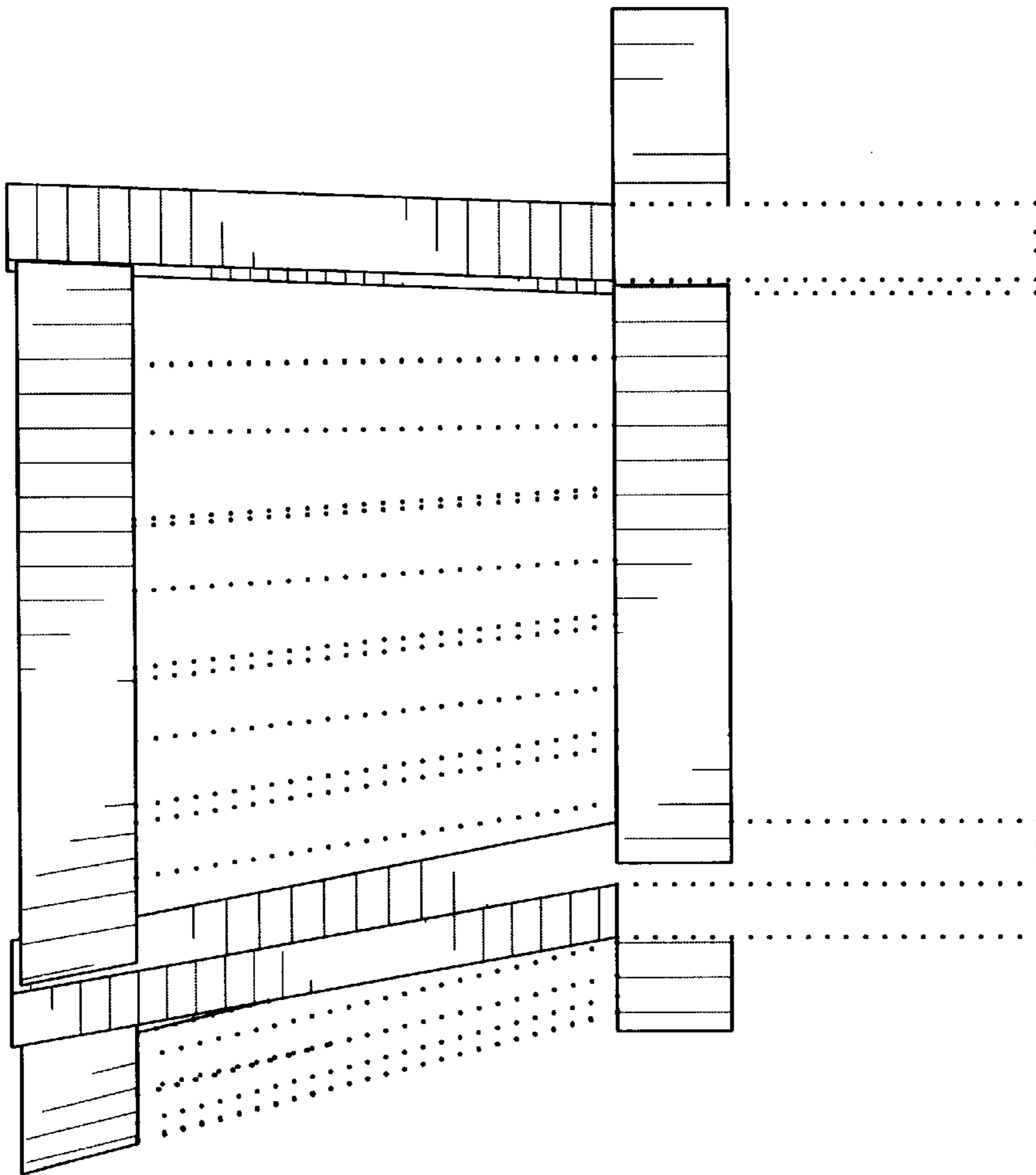


FIG. 2

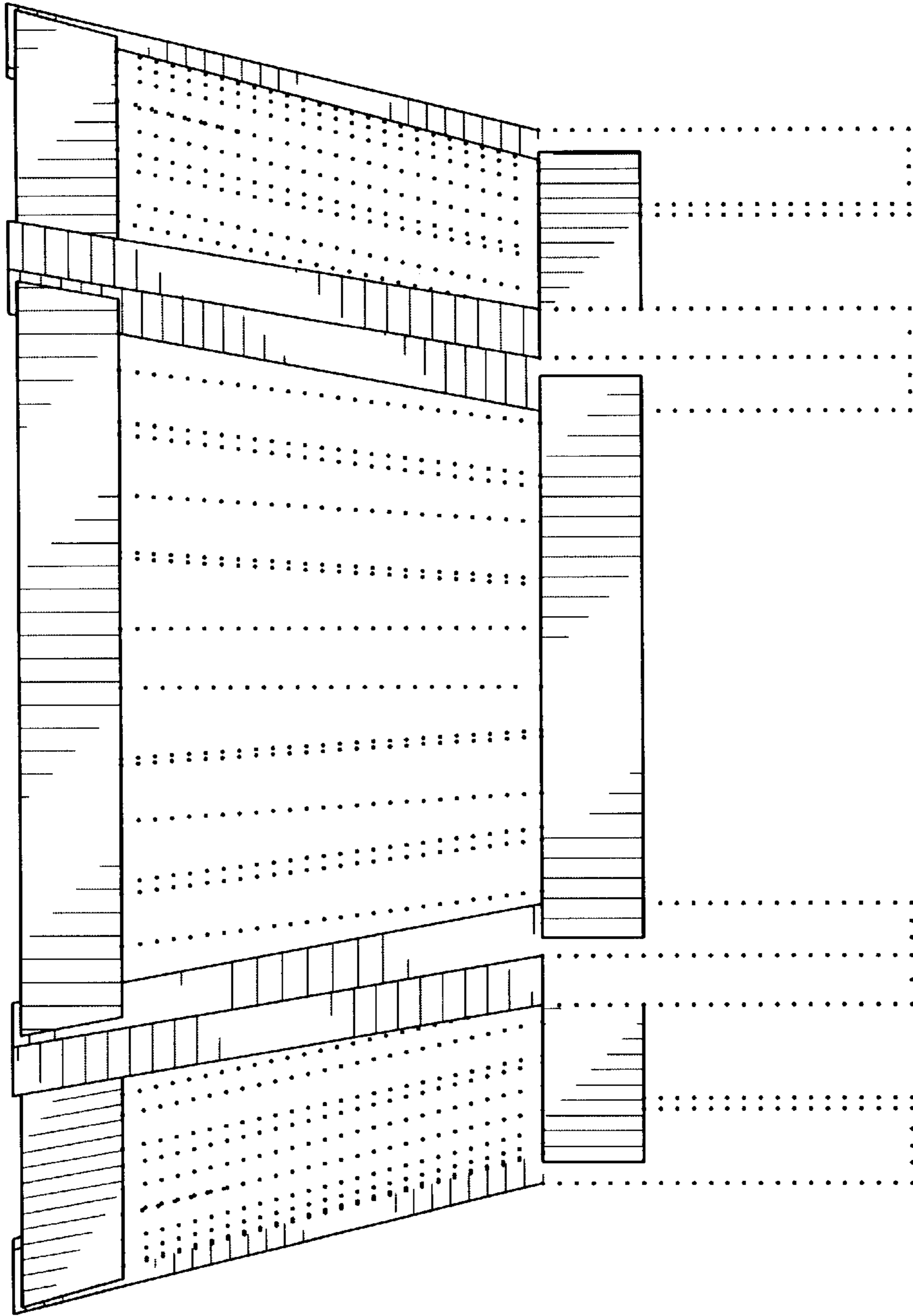


FIG. 3

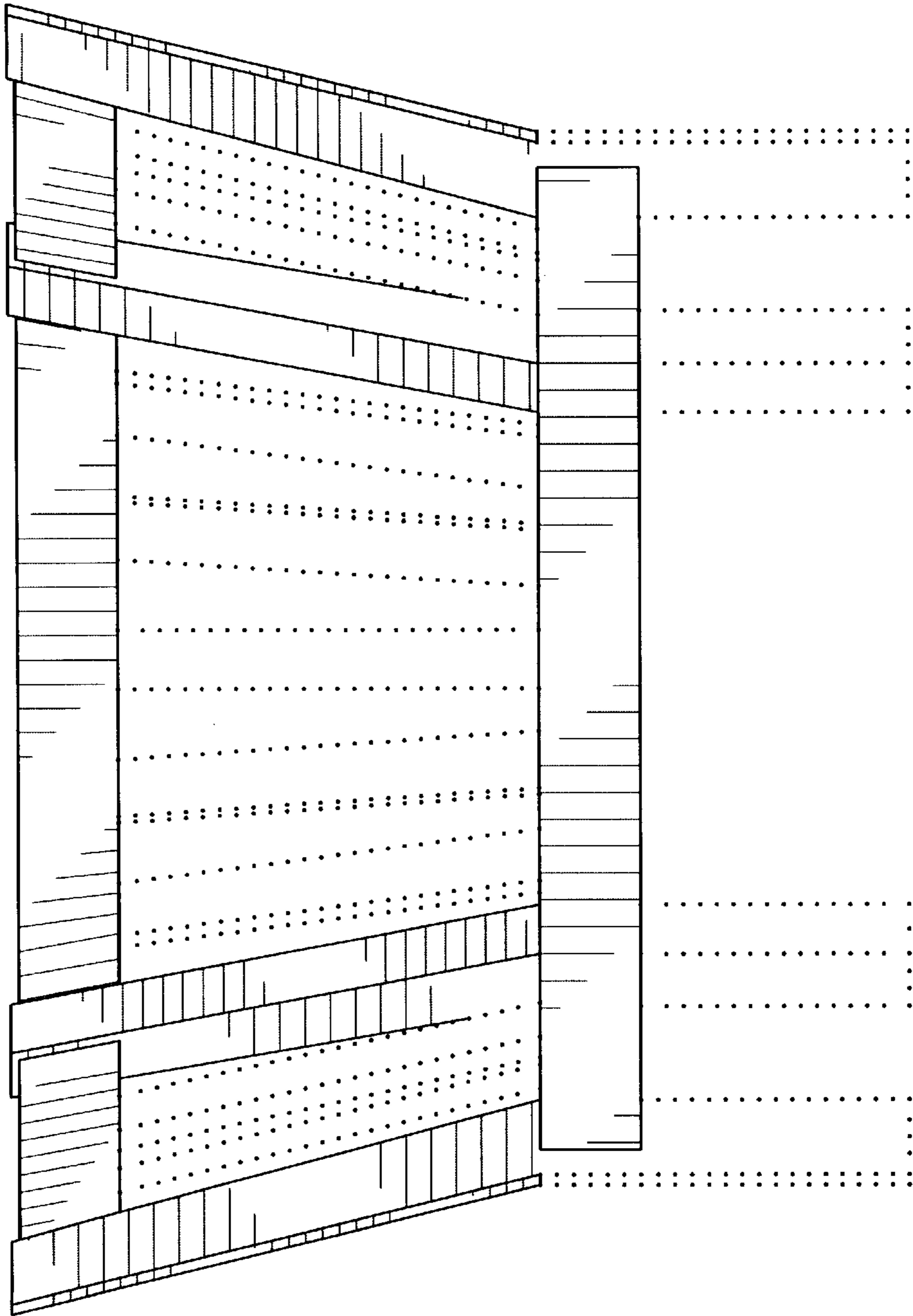


FIG. 4

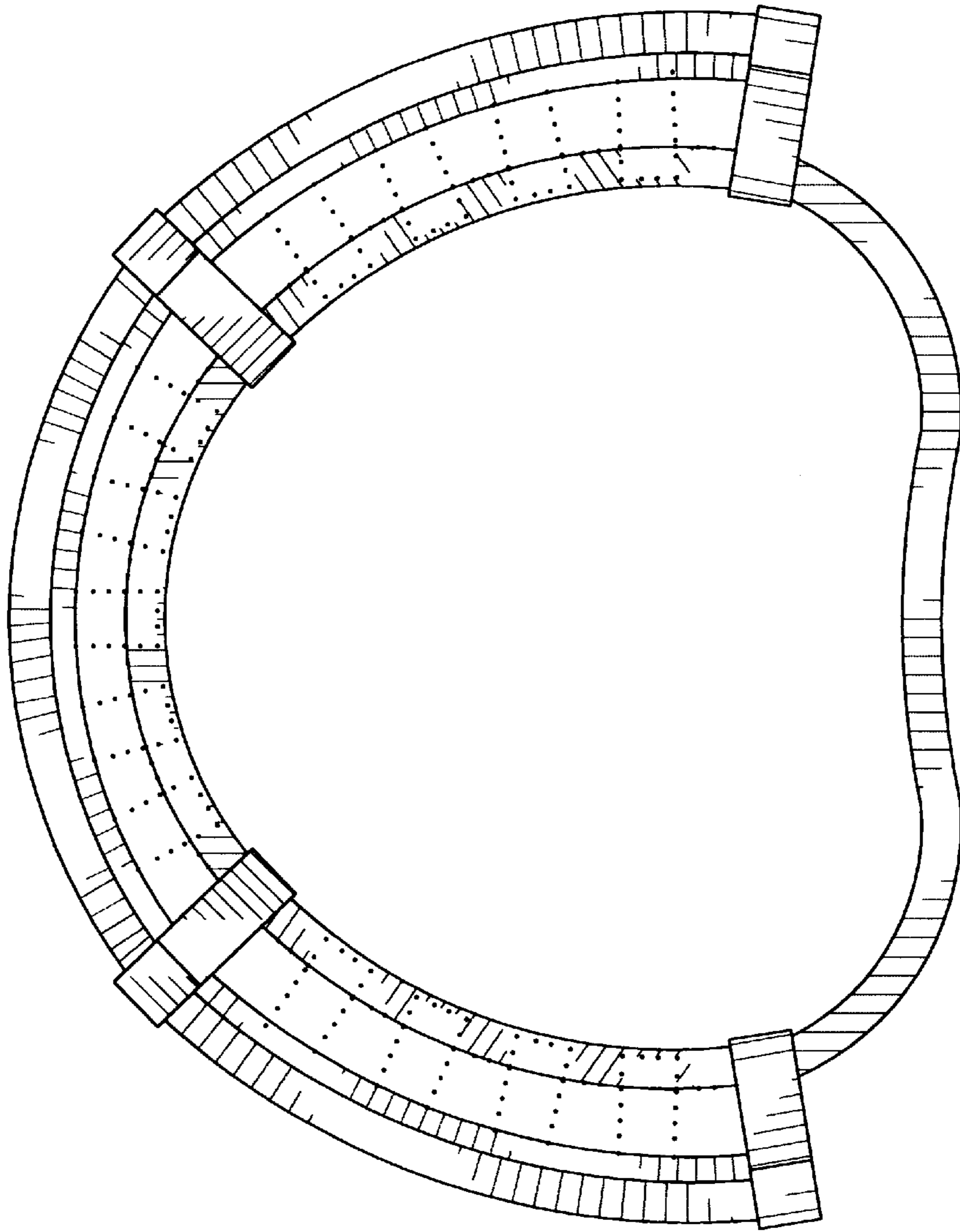


FIG. 5