



US00D416716S

United States Patent [19] Ginat

[11] **Patent Number: Des. 416,716**

[45] **Date of Patent: ** Nov. 23, 1999**

[54] **CHAIR**

[75] Inventor: **Jonathan Ginat**, New York, N.Y.

[73] Assignee: **Global Upholstery Company**, Ontario, Canada

[**] Term: **14 Years**

[21] Appl. No.: **29/099,912**

[22] Filed: **Jan. 29, 1999**

Related U.S. Application Data

[62] Division of application No. 29/085,951, Apr. 2, 1998.

[51] **LOC (6) Cl.** **06-06**

[52] **U.S. Cl.** **D6/500; D6/366**

[58] **Field of Search** D6/366-368, 500-502, D6/495, 498; 297/411.2, 411.4, 411.44, 411.36, 450.1, 452.11, 452.21, 452.29, 463.1, 230.1, 230.12, 284.1, 284.4

[56] **References Cited**

U.S. PATENT DOCUMENTS

D. 259,000	4/1981	Vogtherr	D6/366
D. 259,155	5/1981	Buhk	D6/366
D. 326,961	6/1992	Hannah et al.	D6/366
D. 348,570	7/1994	Scheper et al.	D6/366
D. 348,786	7/1994	Jolleson et al.	D6/366

D. 354,178	1/1995	Ochsner	D6/366
D. 369,487	5/1996	Mc Diarmid	D6/502
D. 373,695	9/1996	Buffon	D6/500
D. 393,157	4/1998	Goodworth et al.	D6/366
D. 395,762	7/1998	Saul	D6/366
D. 396,567	8/1998	Saul	D6/366
D. 397,258	8/1998	Heyder et al.	D6/366

OTHER PUBLICATIONS

The 1988 Office Furniture Mart Catalog, Chairs E and I, p. 50, Apr. 1998.

OSI 2700series Contemporary Seating, Chair shown, 1984.

Primary Examiner—Jeffrey Asch

Attorney, Agent, or Firm—Hazel & Thomas

[57] **CLAIM**

The ornamental design for a chair, as shown and described.

DESCRIPTION

FIG. 1 is a front view of the chair.

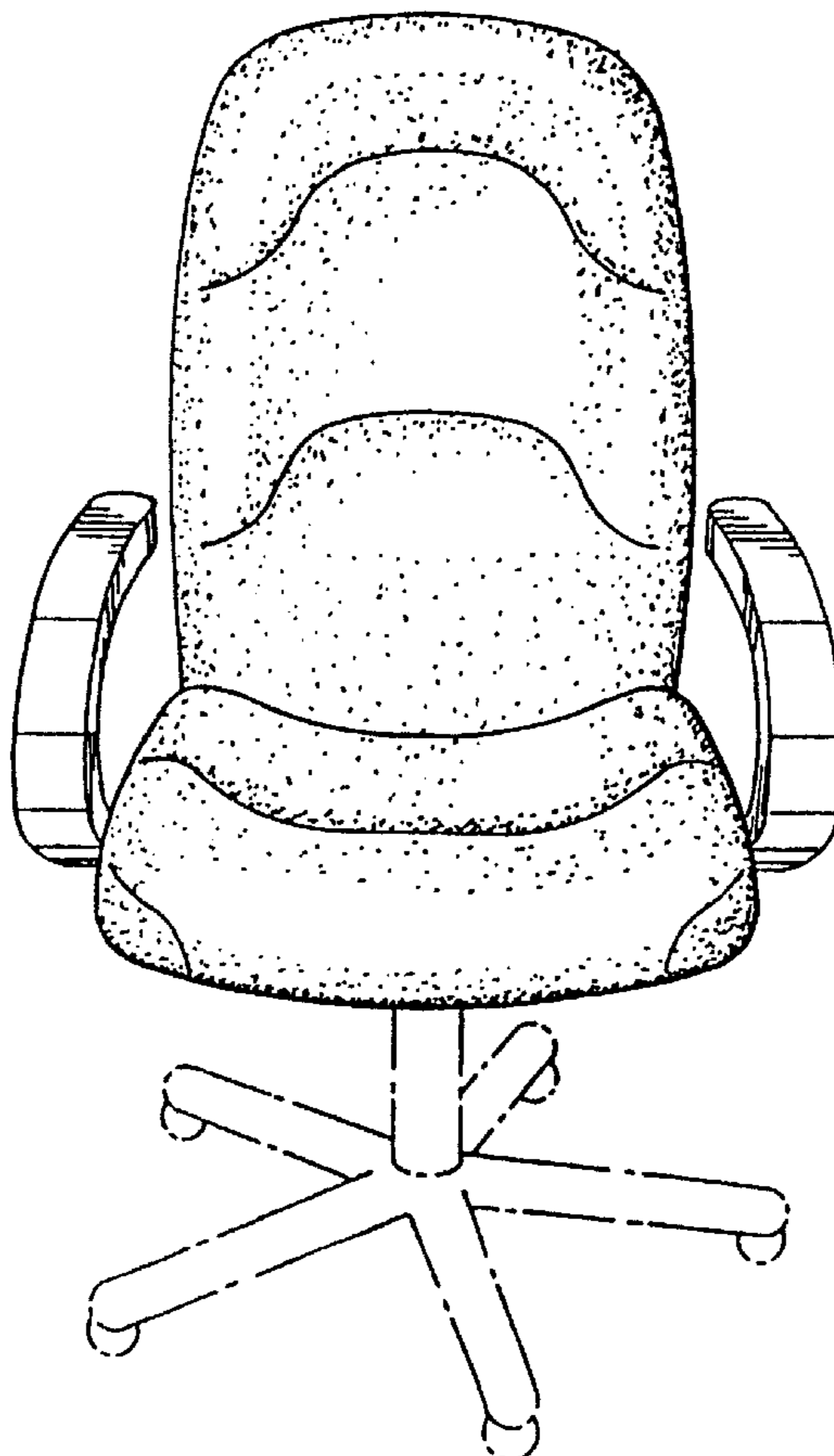
FIG. 2 is a side view of the chair of FIG. 1, the other side of the chair being the mirror image of this view.

FIG. 3 is a top plan view of the chair of FIG. 1; and,

FIG. 4 is a rear view of the chair of FIG. 1.

The portions of the chair shown in broken lines have been shown for illustration purposes only and do not form part of the claimed design.

1 Claim, 2 Drawing Sheets



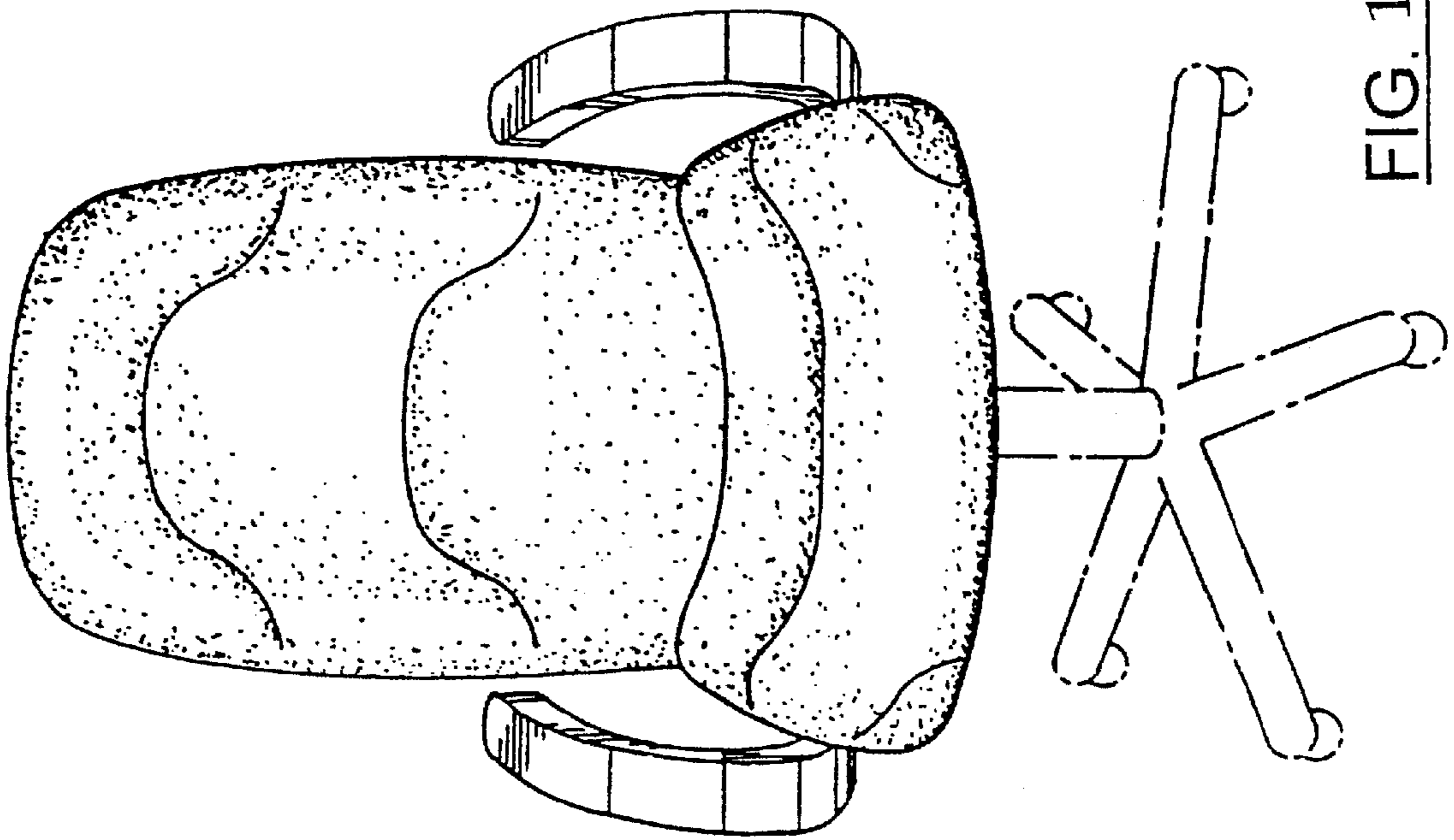


FIG. 1

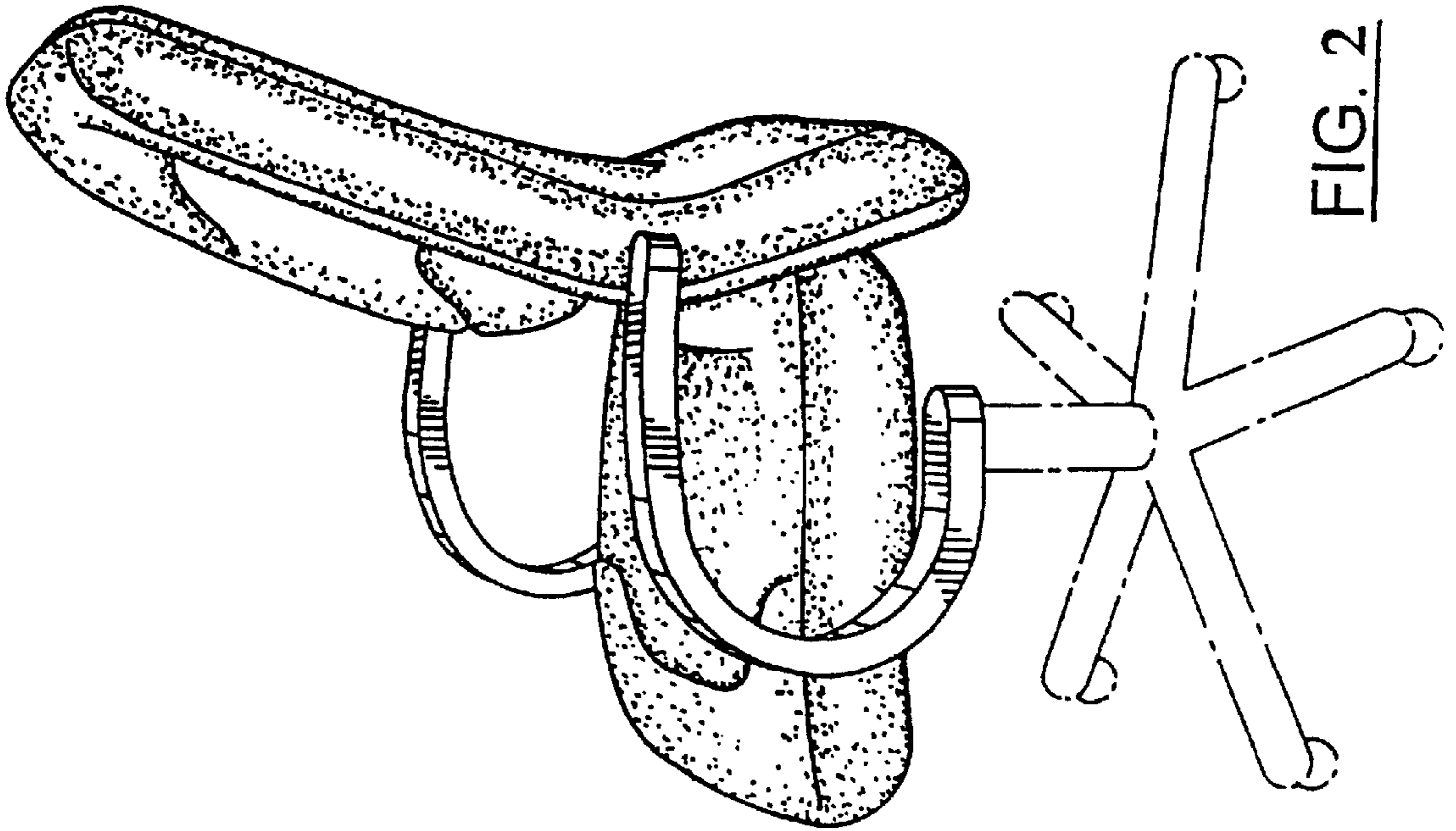


FIG. 2

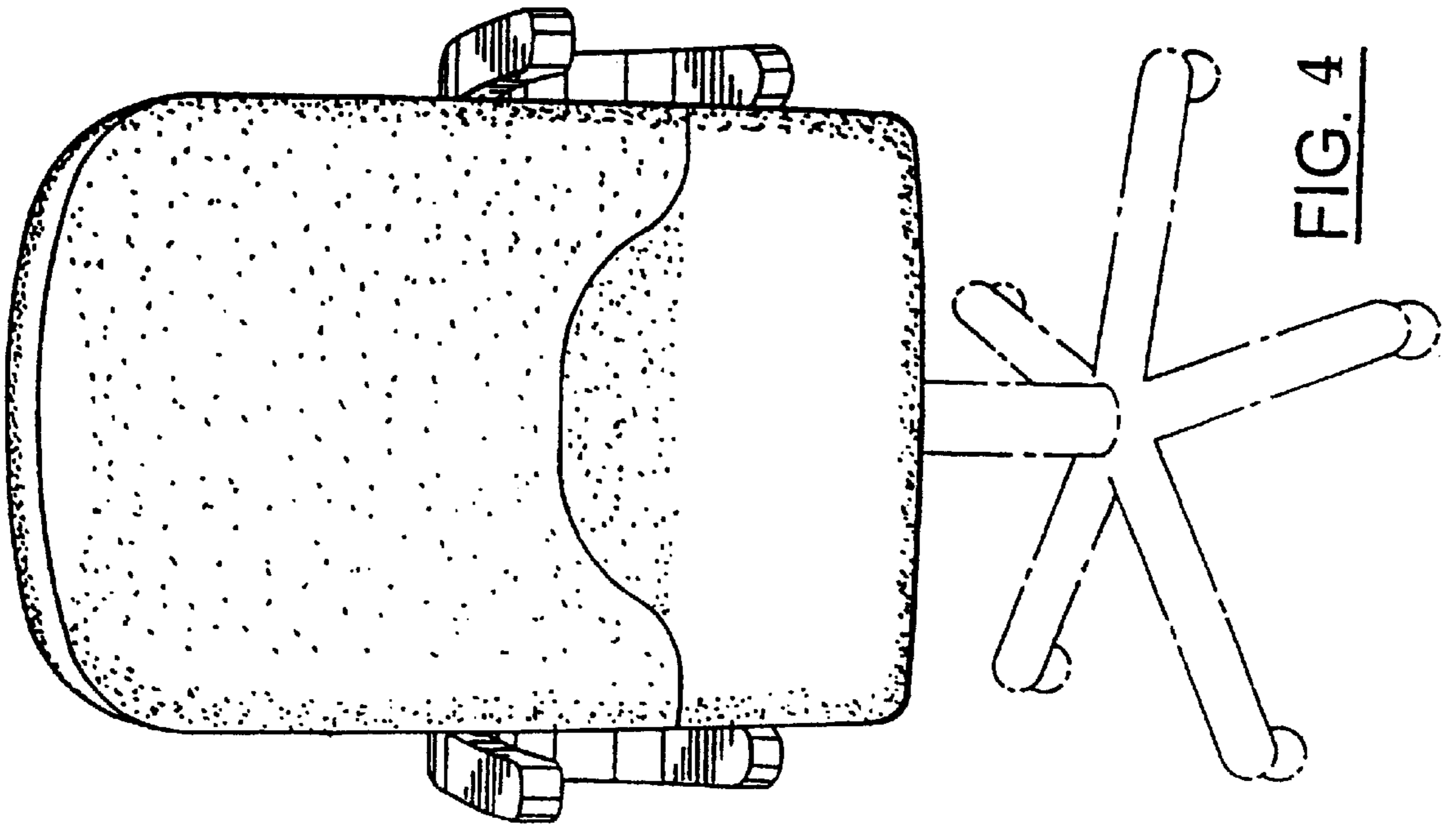


FIG. 4

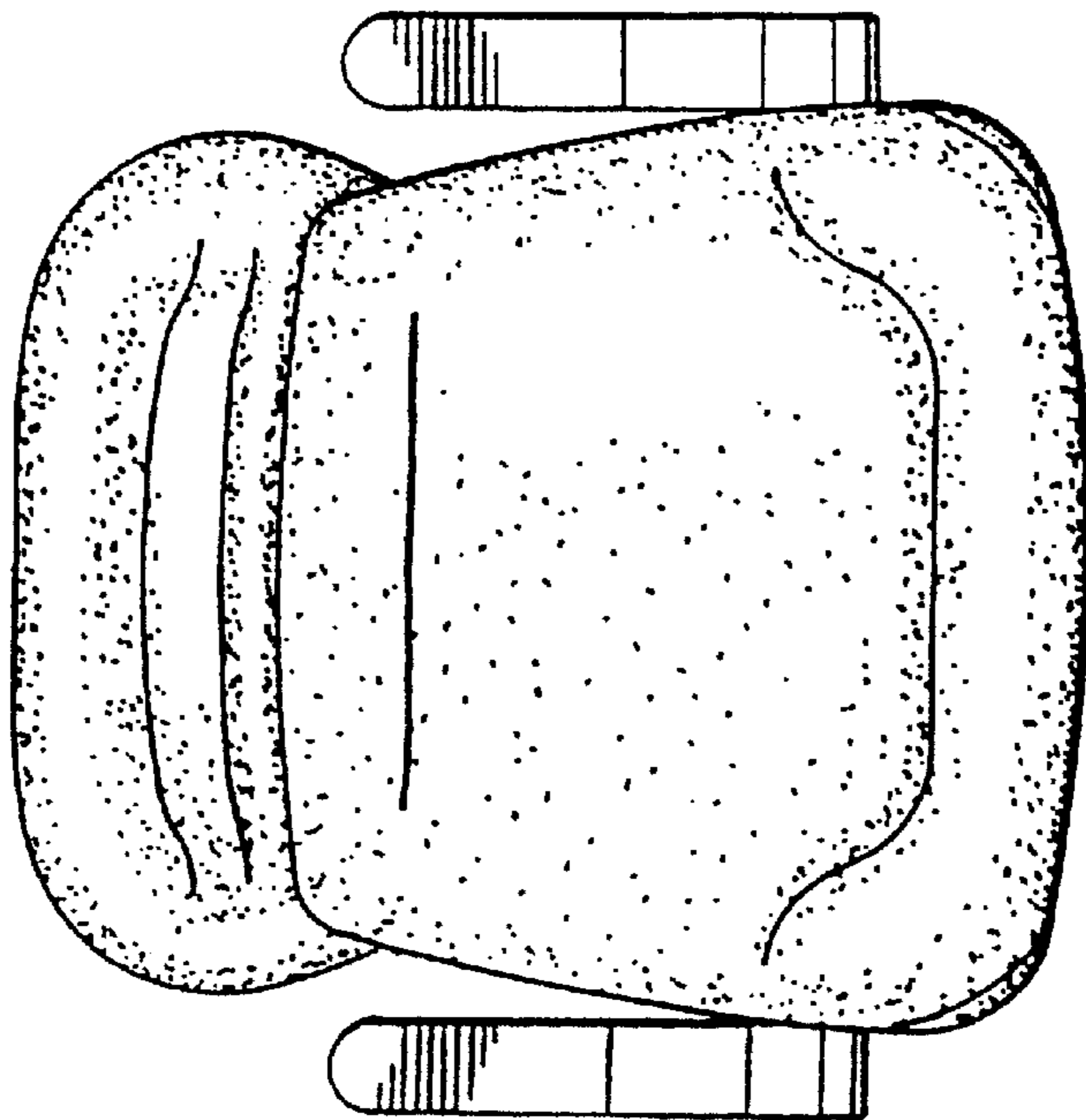


FIG. 3