



US00D416711S

United States Patent [19] Chou

[11] **Patent Number: Des. 416,711**

[45] **Date of Patent: ** Nov. 23, 1999**

[54] **DRESSER**

[76] Inventor: **Yen-Chiu Chou**, No. 120, Tung-An St.,
Fengyuan City, Taichung Hsien, Taiwan

[**] Term: **14 Years**

[21] Appl. No.: **29/084,918**

[22] Filed: **Mar. 12, 1998**

[51] **LOC (6) Cl. 06-04**

[52] **U.S. Cl. D6/444**

[58] **Field of Search D6/397, 432-448;**
312/204, 224, 226, 227

[56] **References Cited**

U.S. PATENT DOCUMENTS

D. 303,593	9/1989	Keller et al.	D6/444
D. 303,594	9/1989	Keller et al.	D6/444
D. 308,308	6/1990	Keller	D6/444
D. 397,886	9/1998	Powell	D6/444

OTHER PUBLICATIONS

Best, p. K5; item G "Queen Anne" vanity and bench set,
bottom left on page., 1995, 1996.

Primary Examiner—Carmen H. Vales-Lado

Attorney, Agent, or Firm—Reinhart, Boerner, Van Deuren,
Norris & Rieselbach, s.c.

[57] **CLAIM**

The ornamental design for a dresser, as shown and
described.

DESCRIPTION

FIG. 1 is a perspective view of dresser showing my new
design;

FIG. 2 is a front elevational view thereof;

FIG. 3 is a rear elevational view thereof;

FIG. 4 is a left side elevational view thereof;

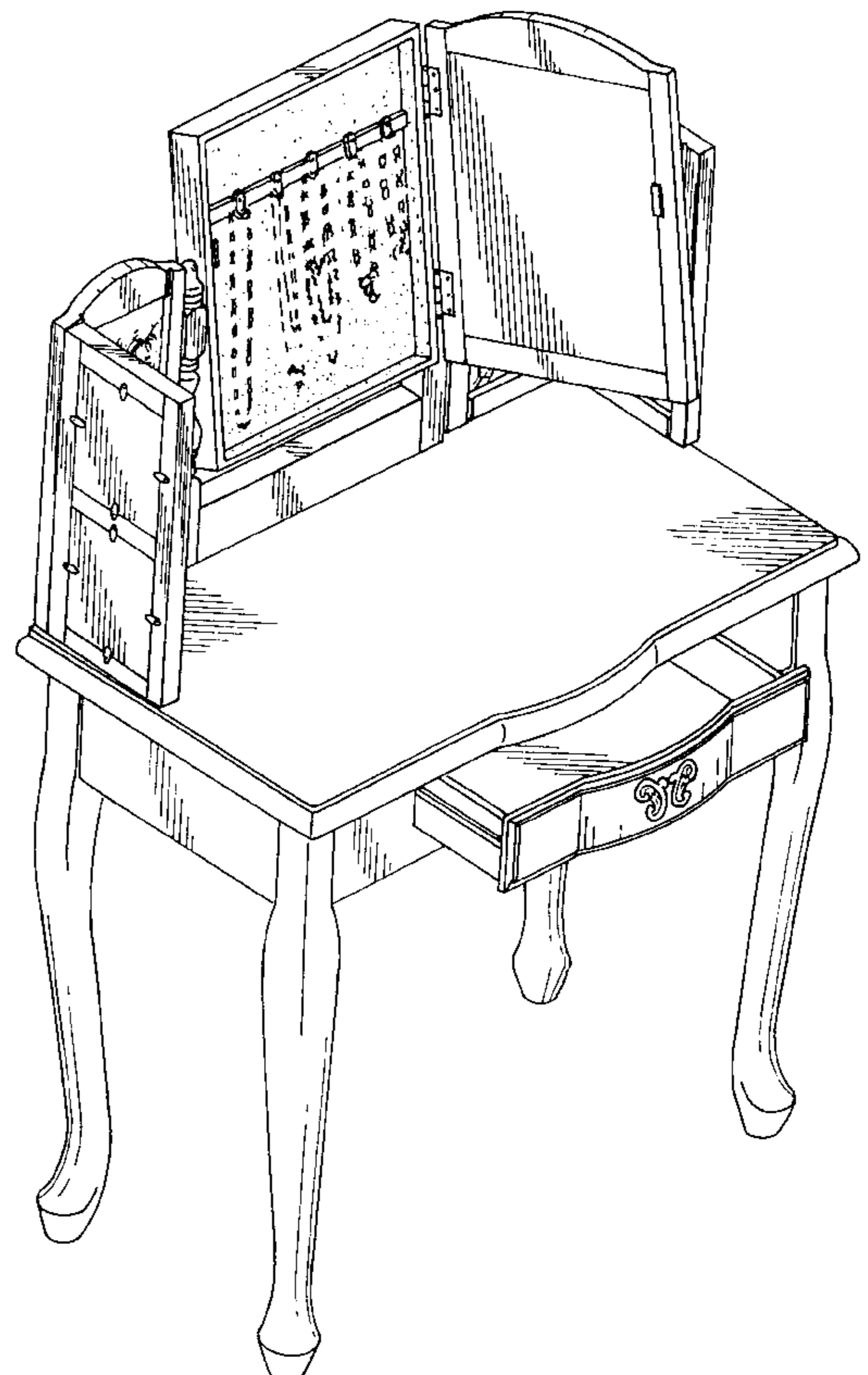
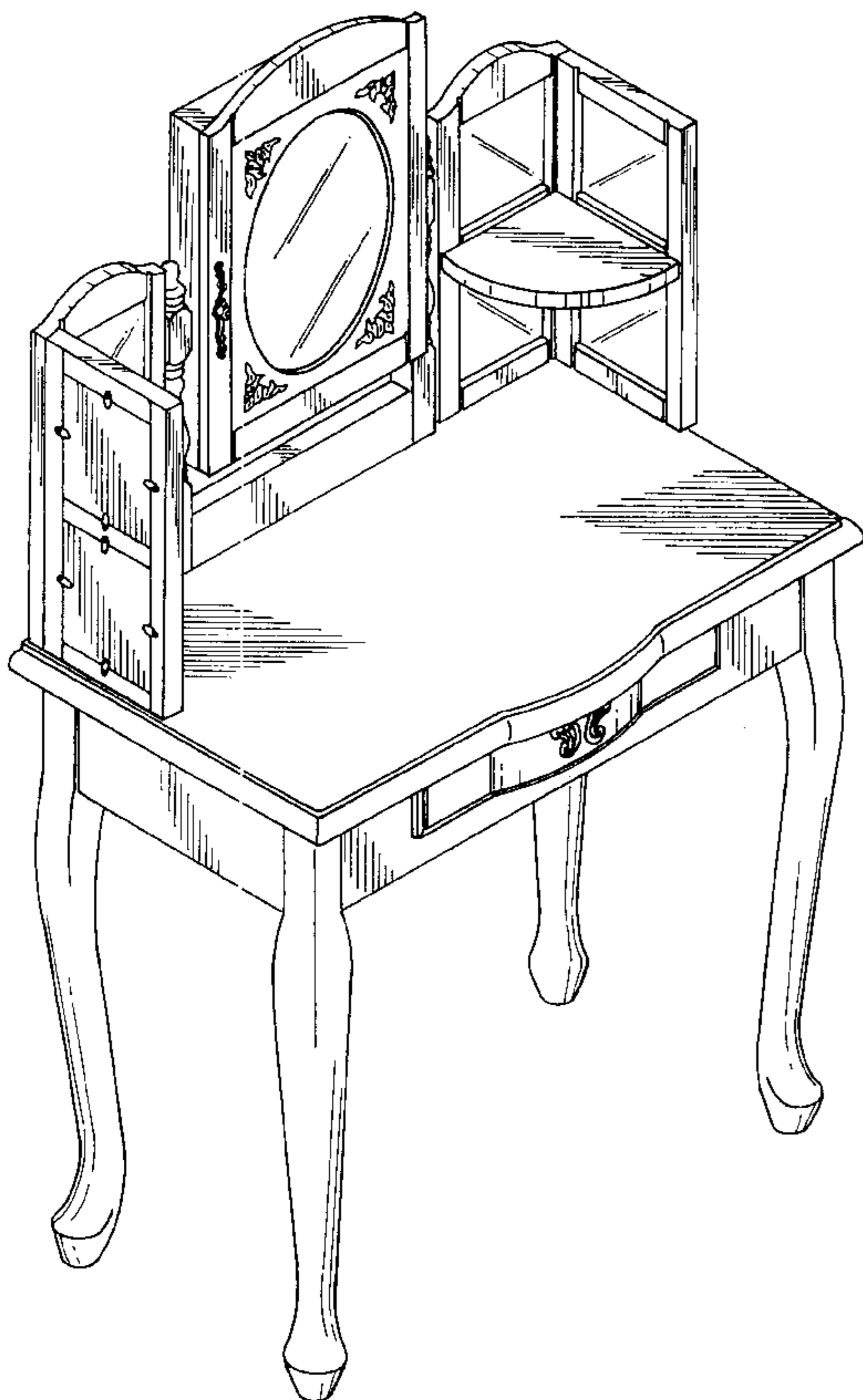
FIG. 5 is a right side elevational view thereof;

FIG. 6 is a top plan view thereof;

FIG. 7 is a bottom plan view thereof; and,

FIG. 8 is a perspective view with the drawer and mirror door
in open position, the broken line showing of necklaces and
pictures are for illustrative purposes only and form no part
of the claimed design.

1 Claim, 5 Drawing Sheets



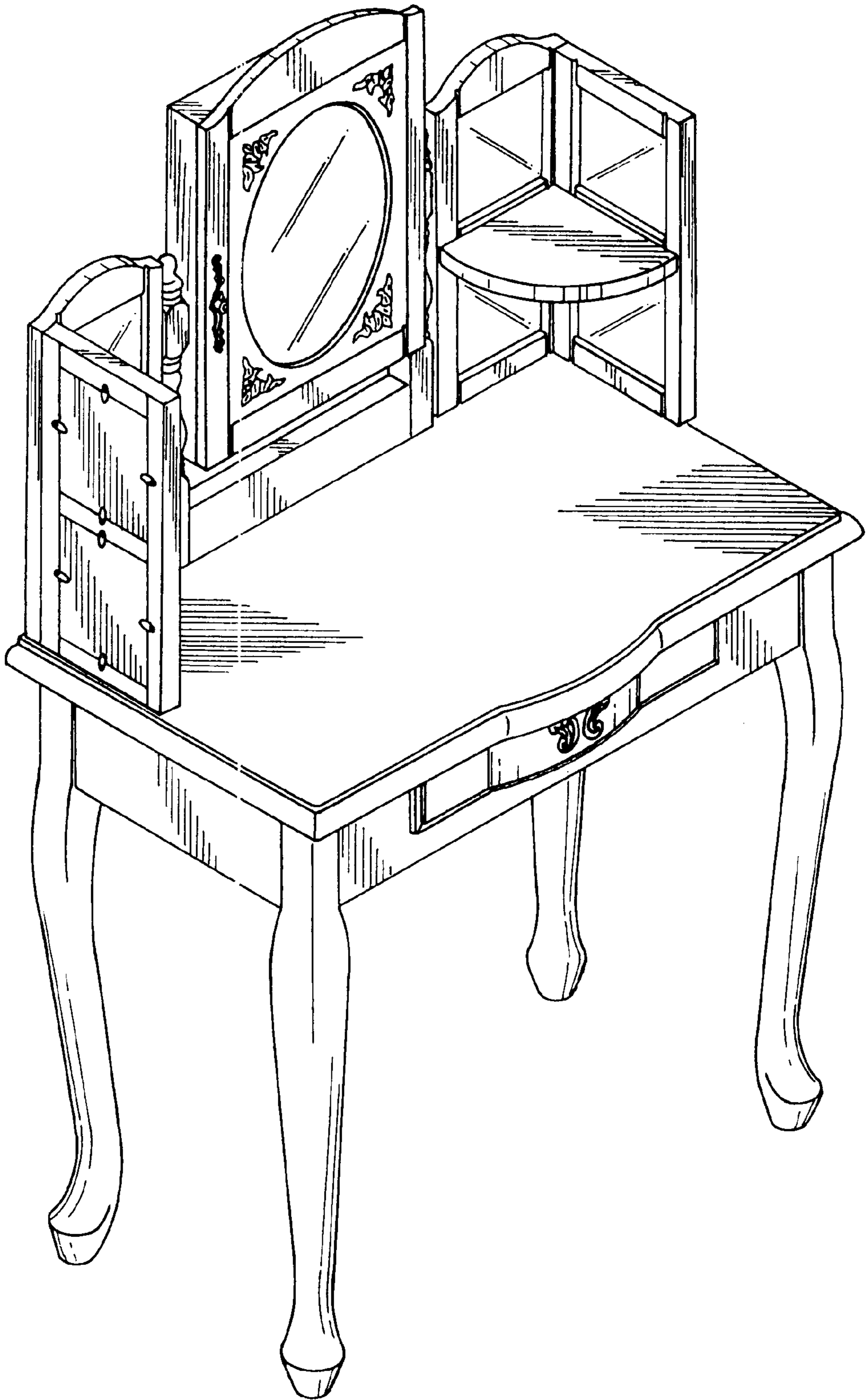


FIG. 1

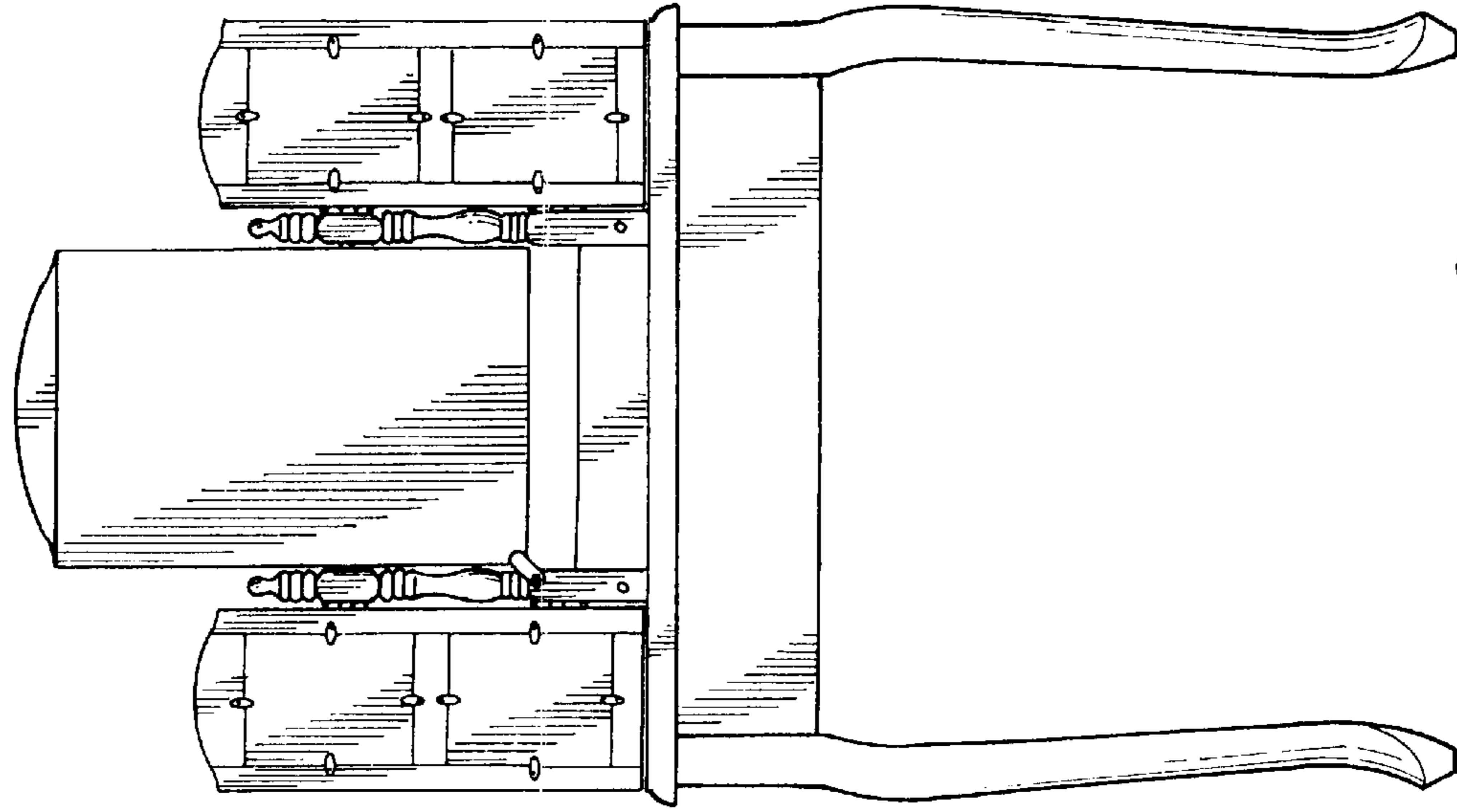


FIG. 3

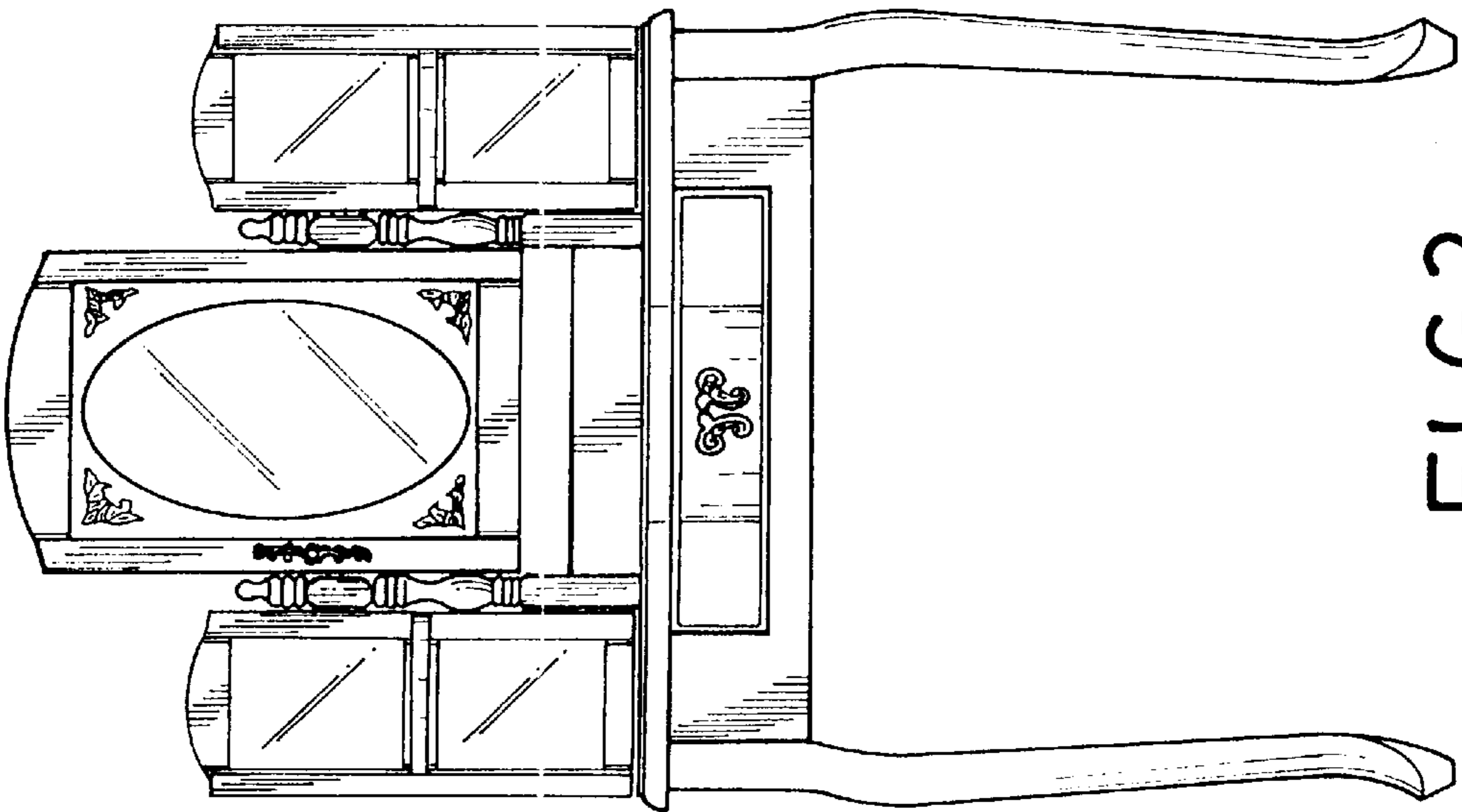


FIG. 2

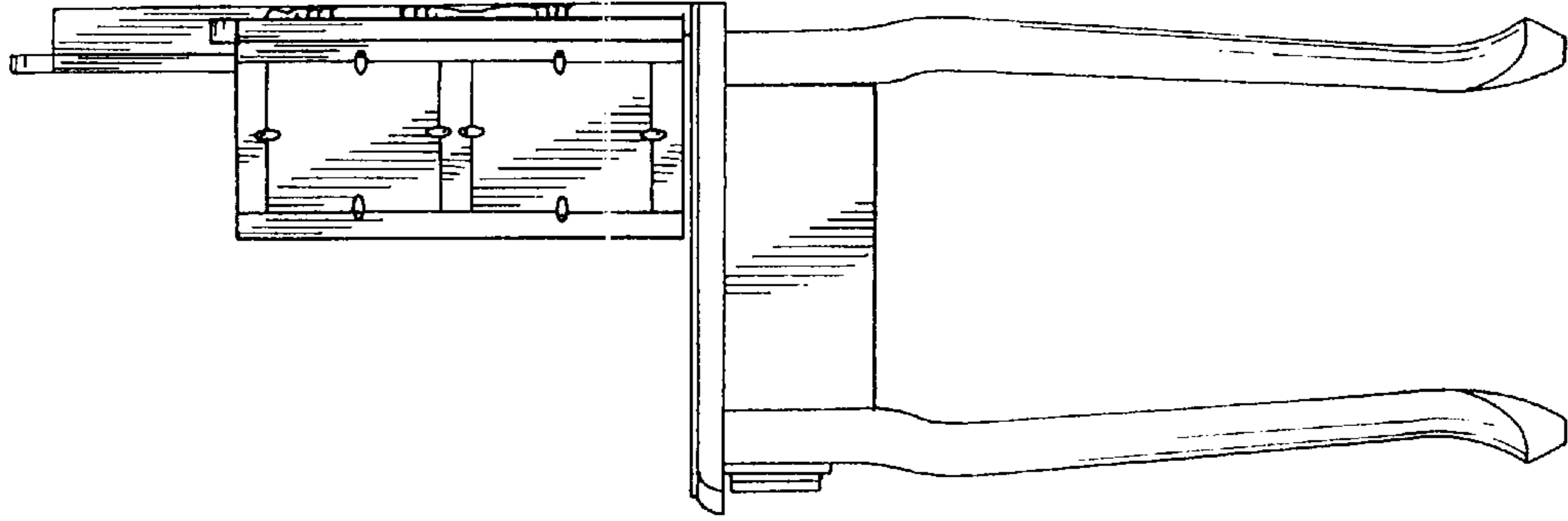


FIG. 5

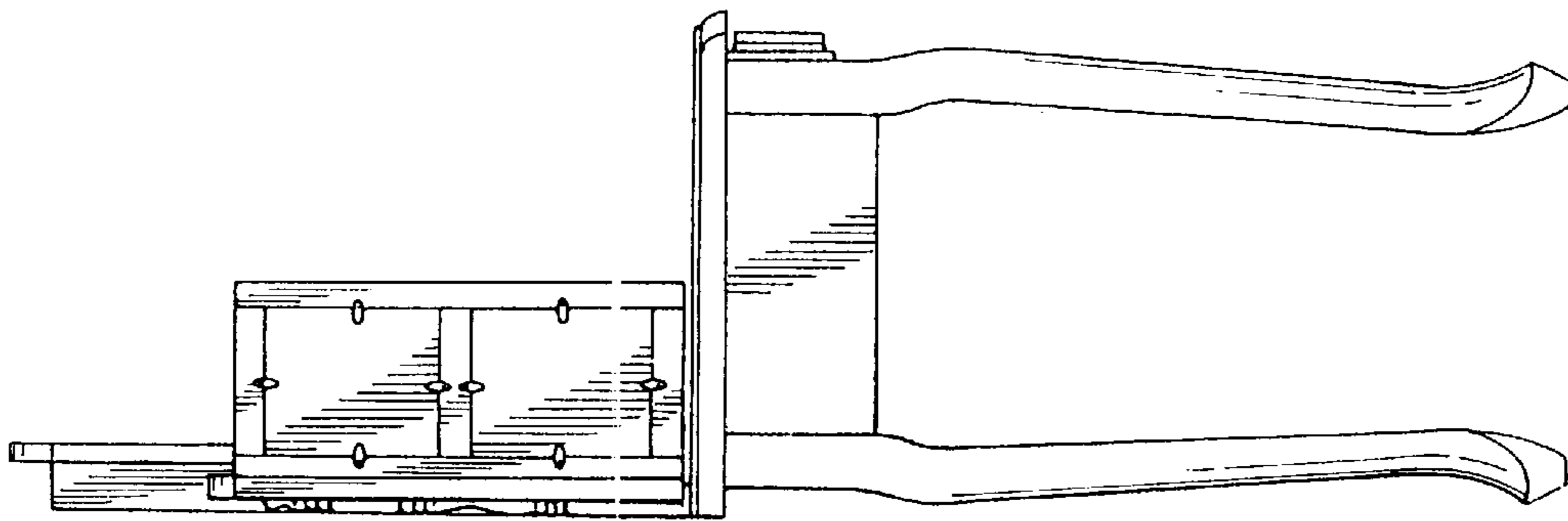


FIG. 4

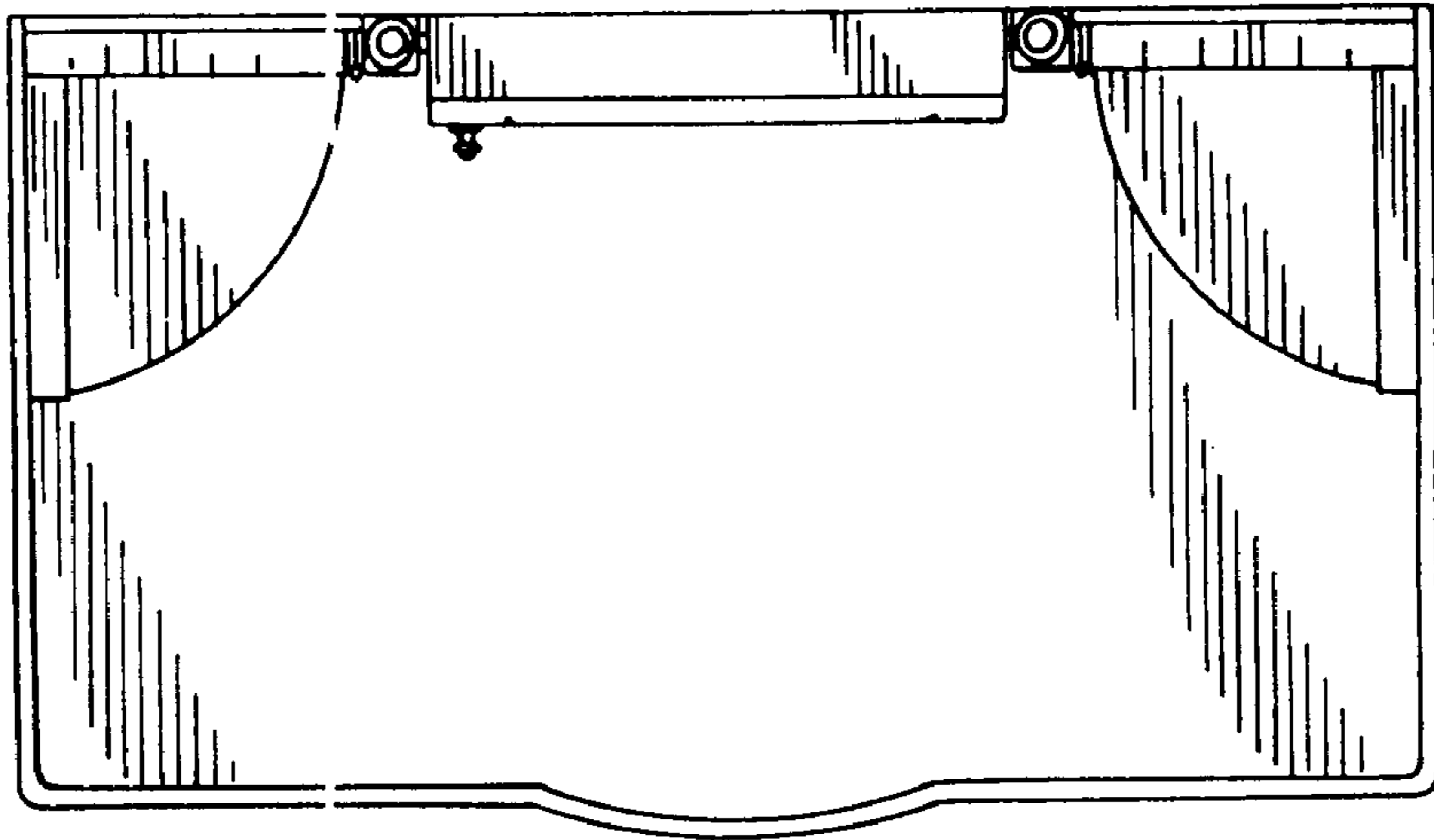


FIG. 6

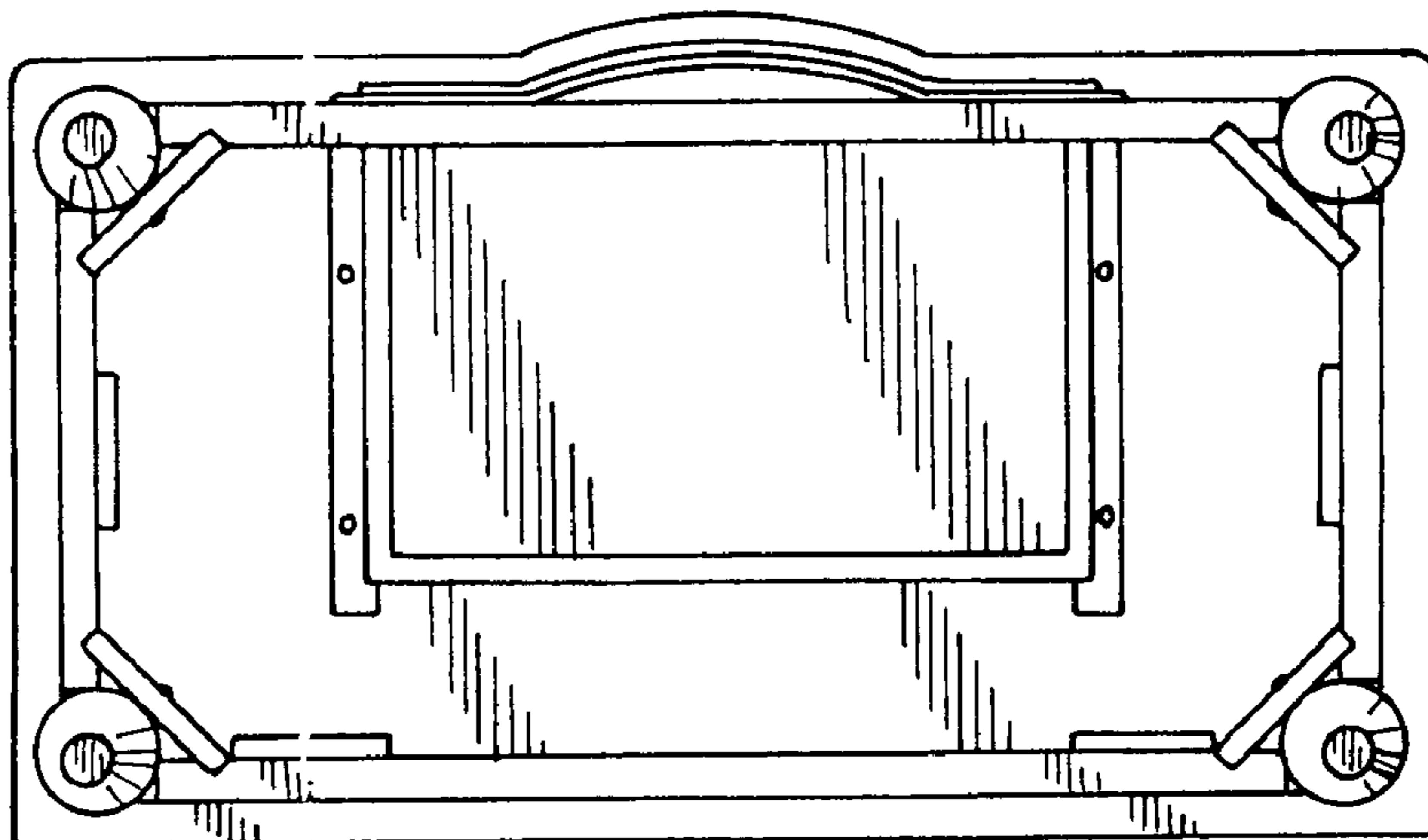


FIG. 7

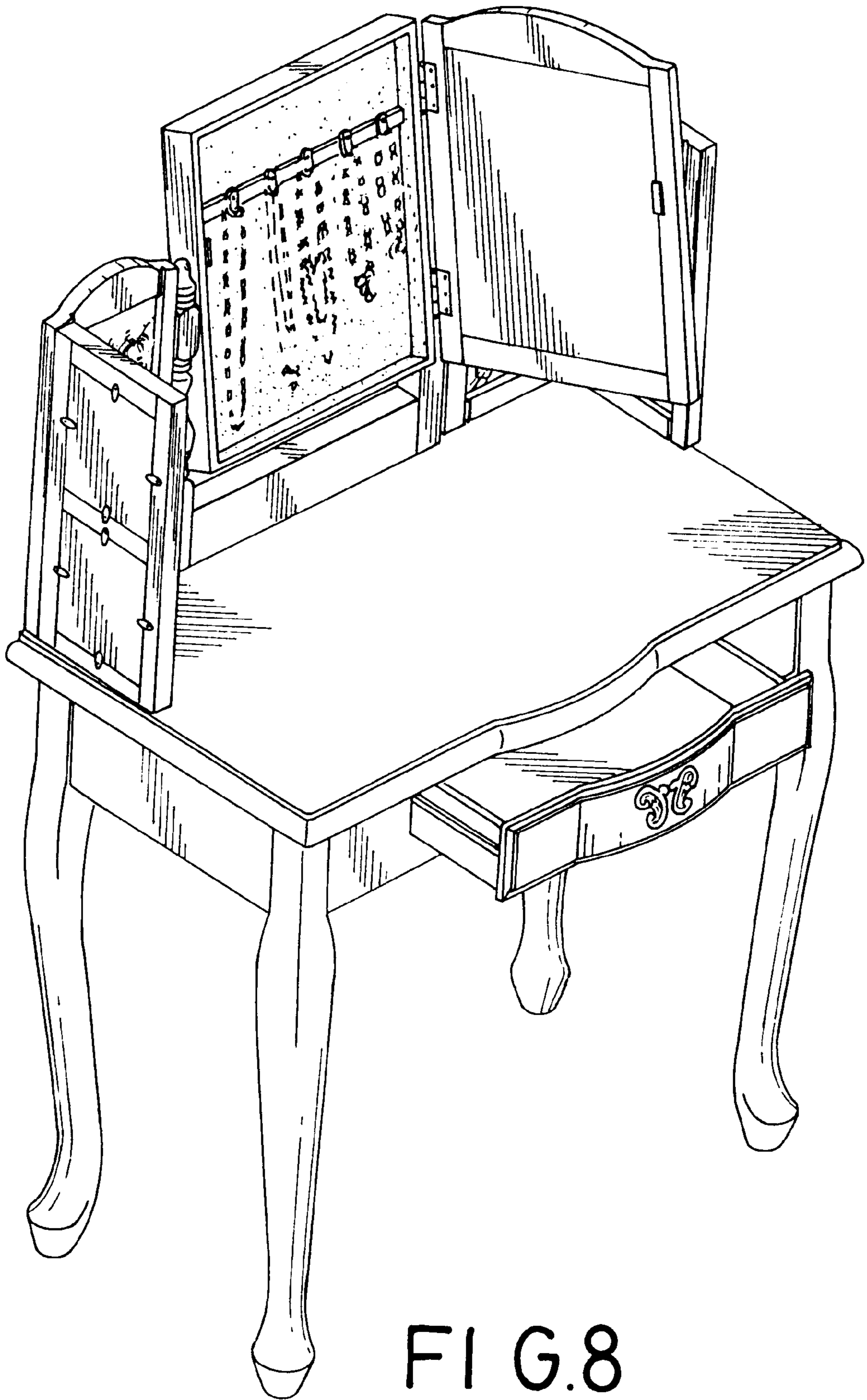


FIG. 8