



US00D416706S

United States Patent [19]
Johnson, Jr.

[11] **Patent Number: Des. 416,706**

[45] **Date of Patent: ** Nov. 23, 1999**

[54] **HOLDER FOR OPTICAL DISCS**

5,829,584 11/1998 Raucci, Jr. 206/308.1

[75] Inventor: **George Johnson, Jr.**, San Marino, Calif.

Primary Examiner—Doris V. Coles
Assistant Examiner—Linda Brooks
Attorney, Agent, or Firm—Lyon & Lyon LLP

[73] Assignee: **Cosmi Corporation**, Rancho Dominguez, Calif.

[57] **CLAIM**

[**] Term: **14 Years**

The ornamental design for a holder for optical discs, as shown and described.

[21] Appl. No.: **29/095,359**

DESCRIPTION

[22] Filed: **Oct. 21, 1998**

[51] **LOC (6) Cl.** **06-04**

[52] **U.S. Cl.** **D6/407**

[58] **Field of Search** D6/407, 626–635, D6/466, 467, 475; D21/120, 121; D19/26, 32; 206/307, 307.1, 308.1, 308.2, 308.3, 387.1, 387.11–387.15, 472, 473; 211/40, 41.12, 42

FIG. 1 is a perspective view principally illustrating the front, top and right side of the holder for optical discs.

FIG. 2 is a front view of the holder for optical discs.

FIG. 3 is a top view of the holder for optical discs, the bottom view being a mirror image thereof.

FIG. 4 is a side view of the right side of the holder for optical discs.

FIG. 5 is a side view of the left side of the holder for optical discs.

FIG. 6 is a front perspective view of the holder for optical discs with the two portions moved apart; and,

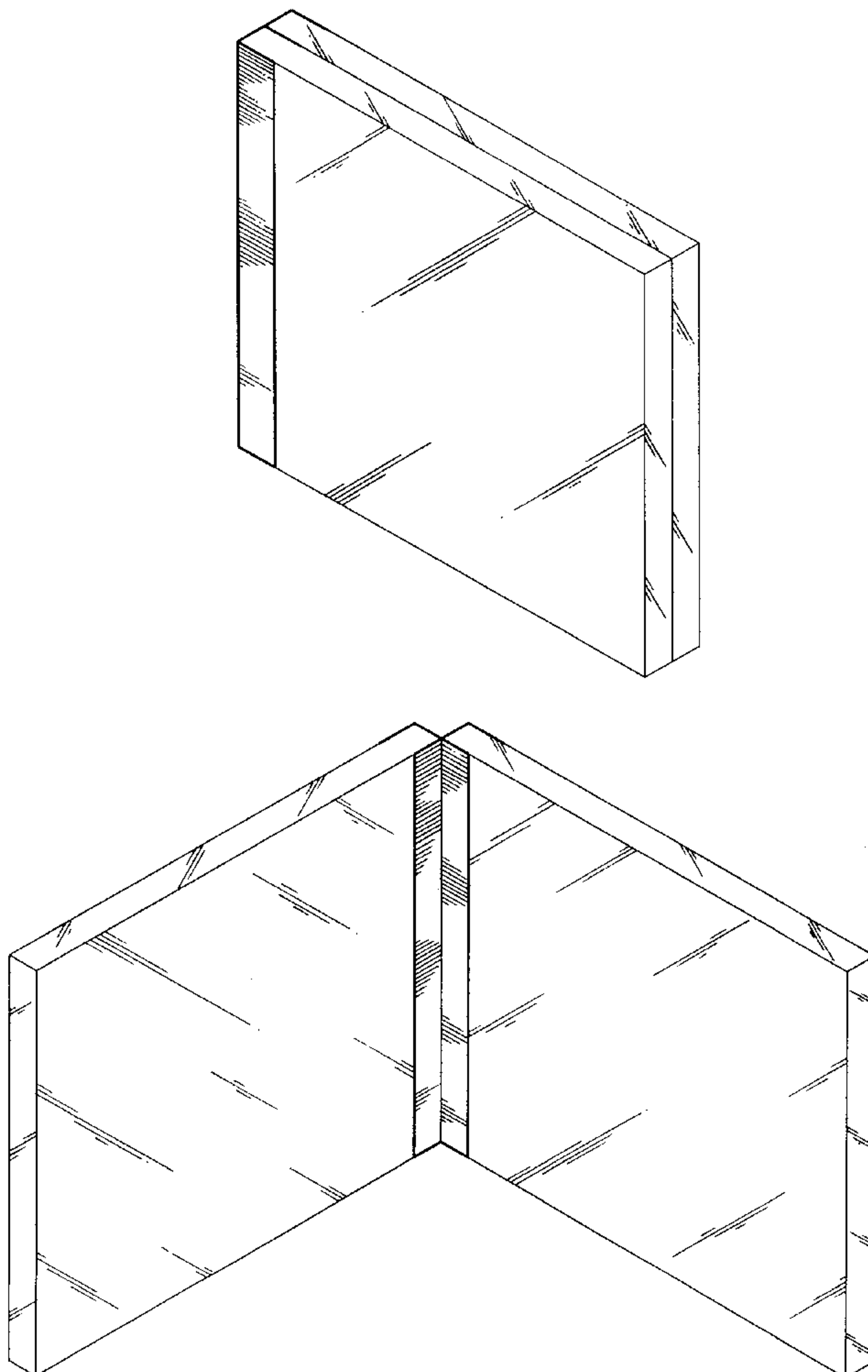
FIG. 7 is a back perspective view of the holder for optical discs with the two portions moved apart.

[56] **References Cited**

U.S. PATENT DOCUMENTS

- D. 399,677 10/1998 Cheris et al. D6/631
- D. 406,719 3/1999 Clausen D6/634
- 5,188,229 2/1993 Bernstein 206/307 X

1 Claim, 3 Drawing Sheets



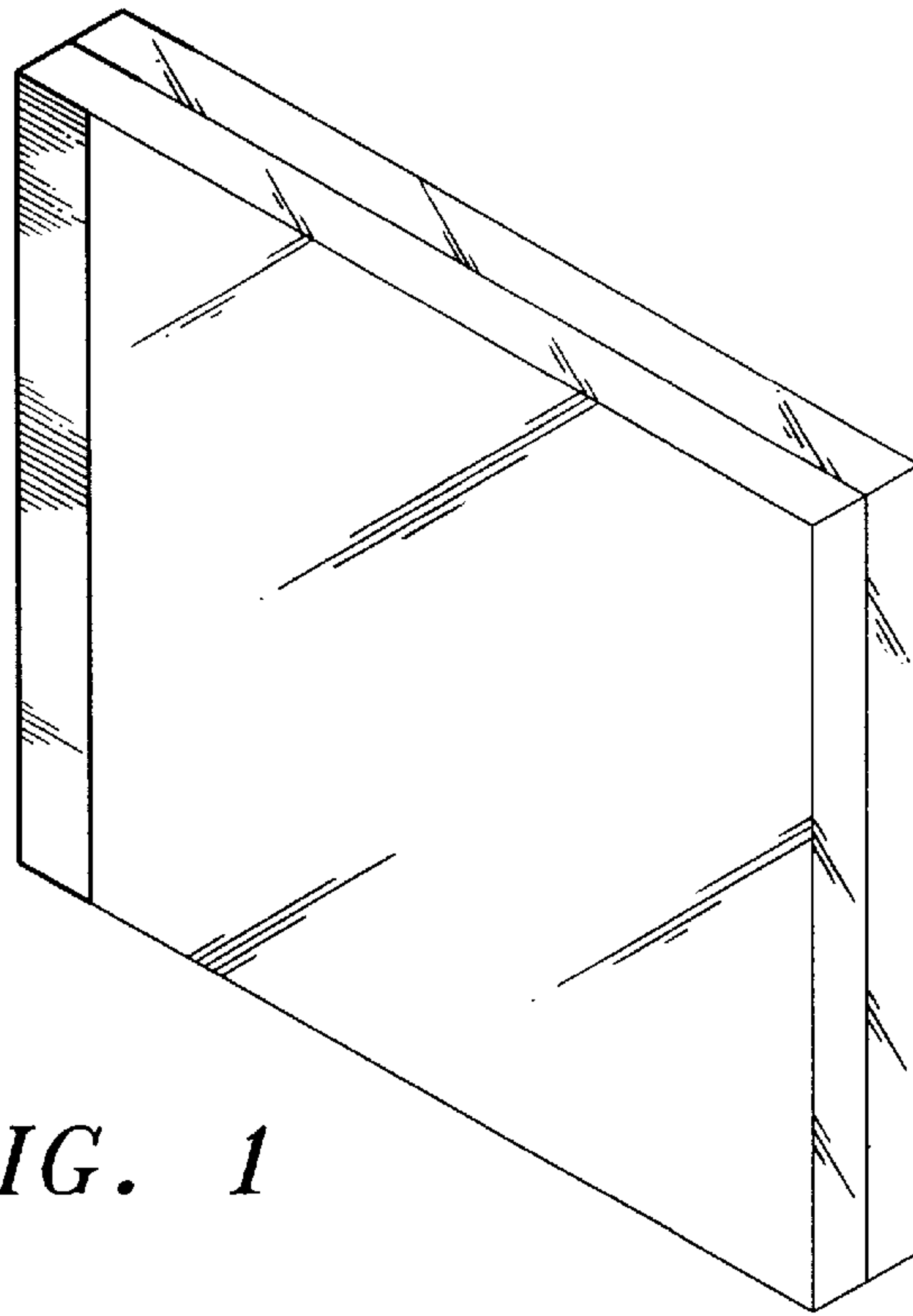


FIG. 1

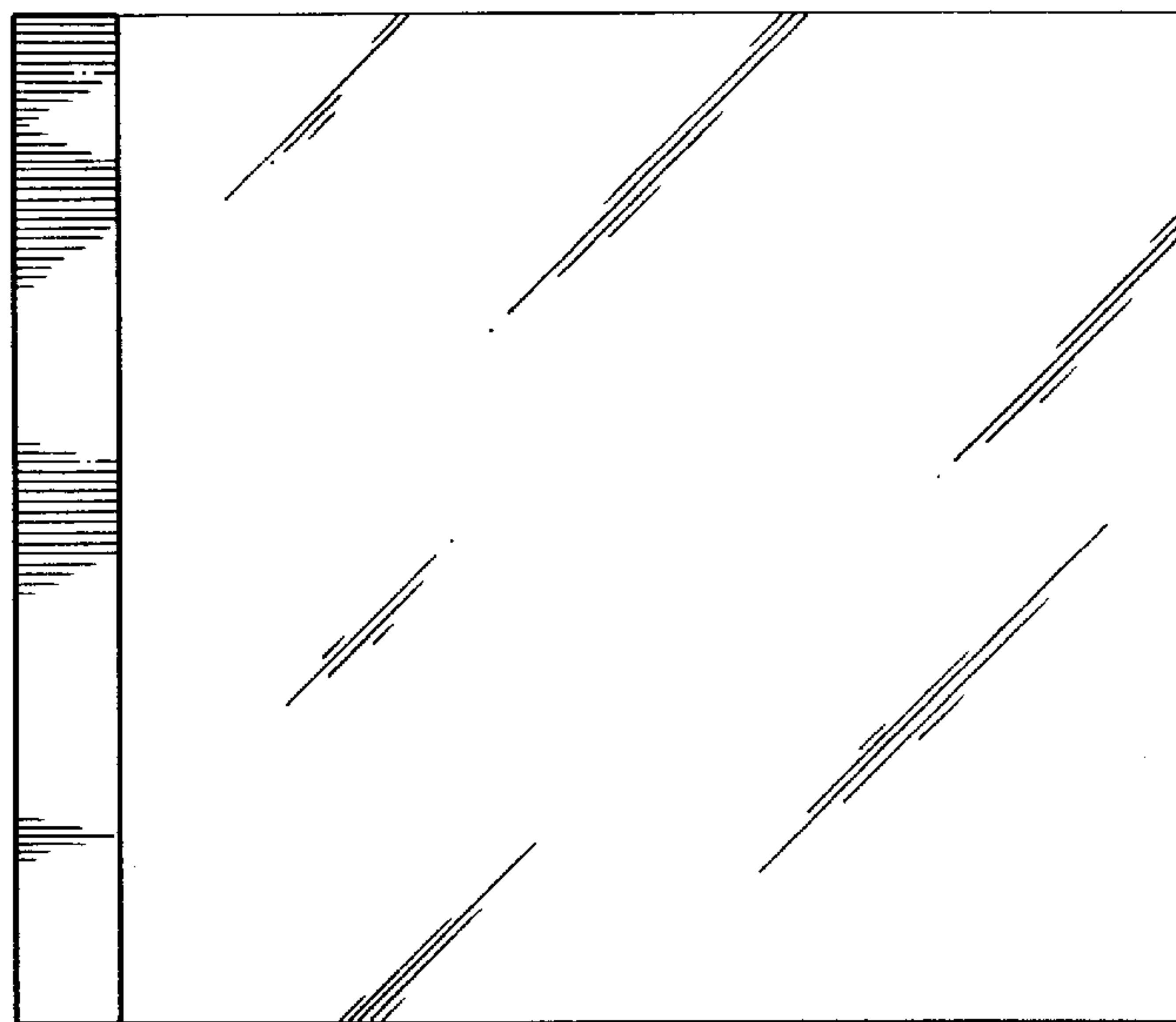


FIG. 2

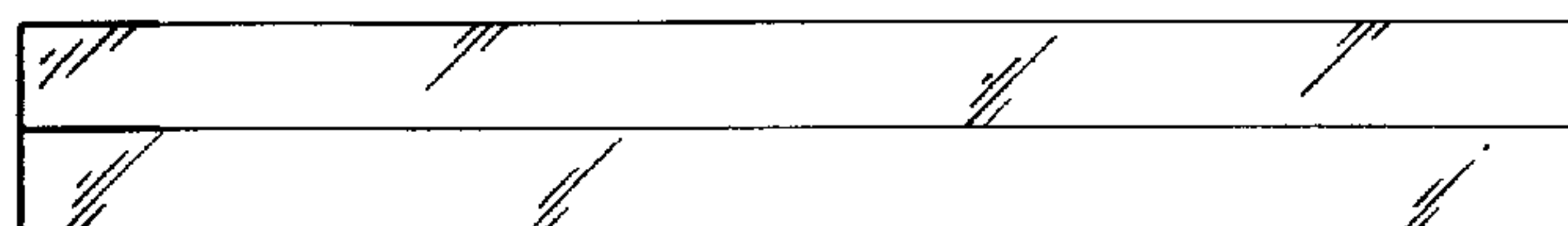


FIG. 3

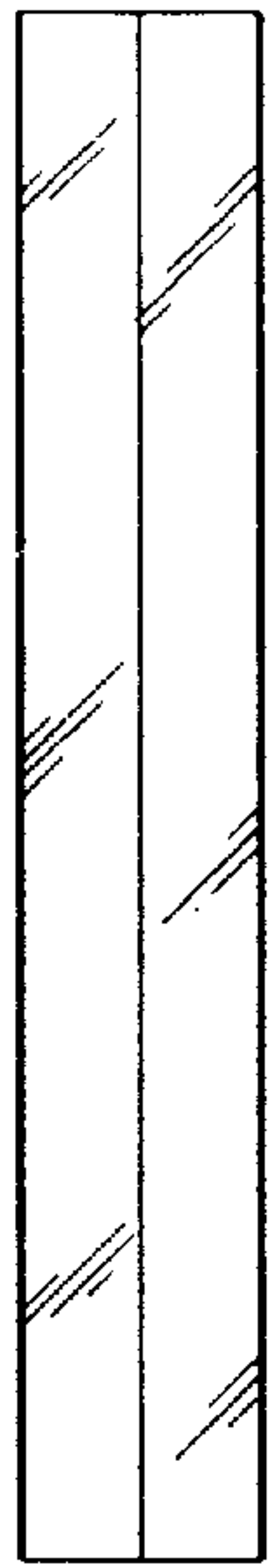


FIG. 4

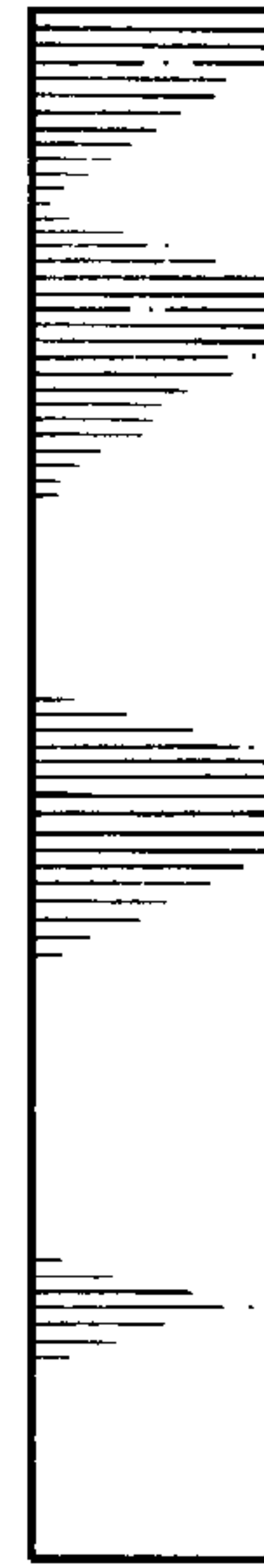


FIG. 5

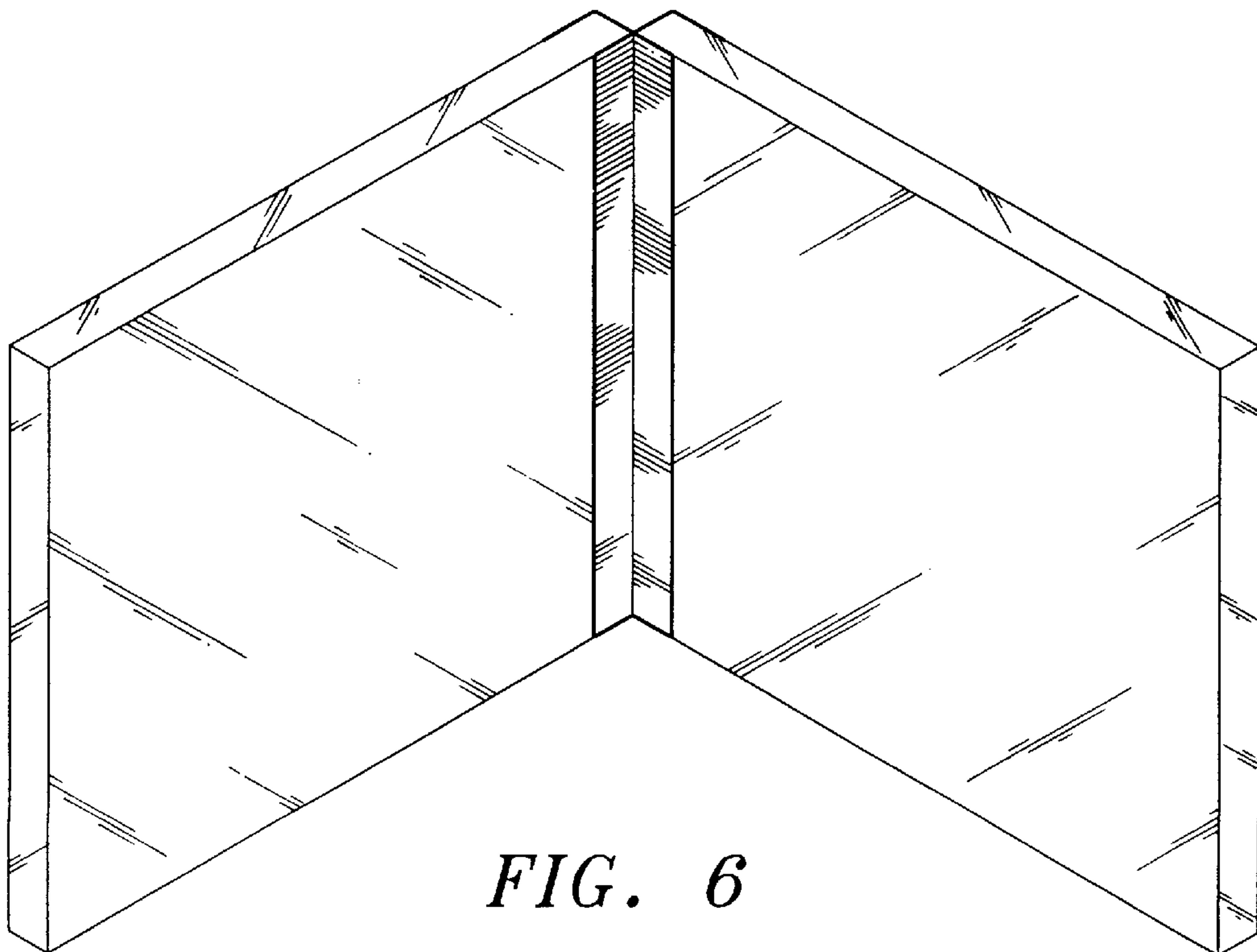


FIG. 6

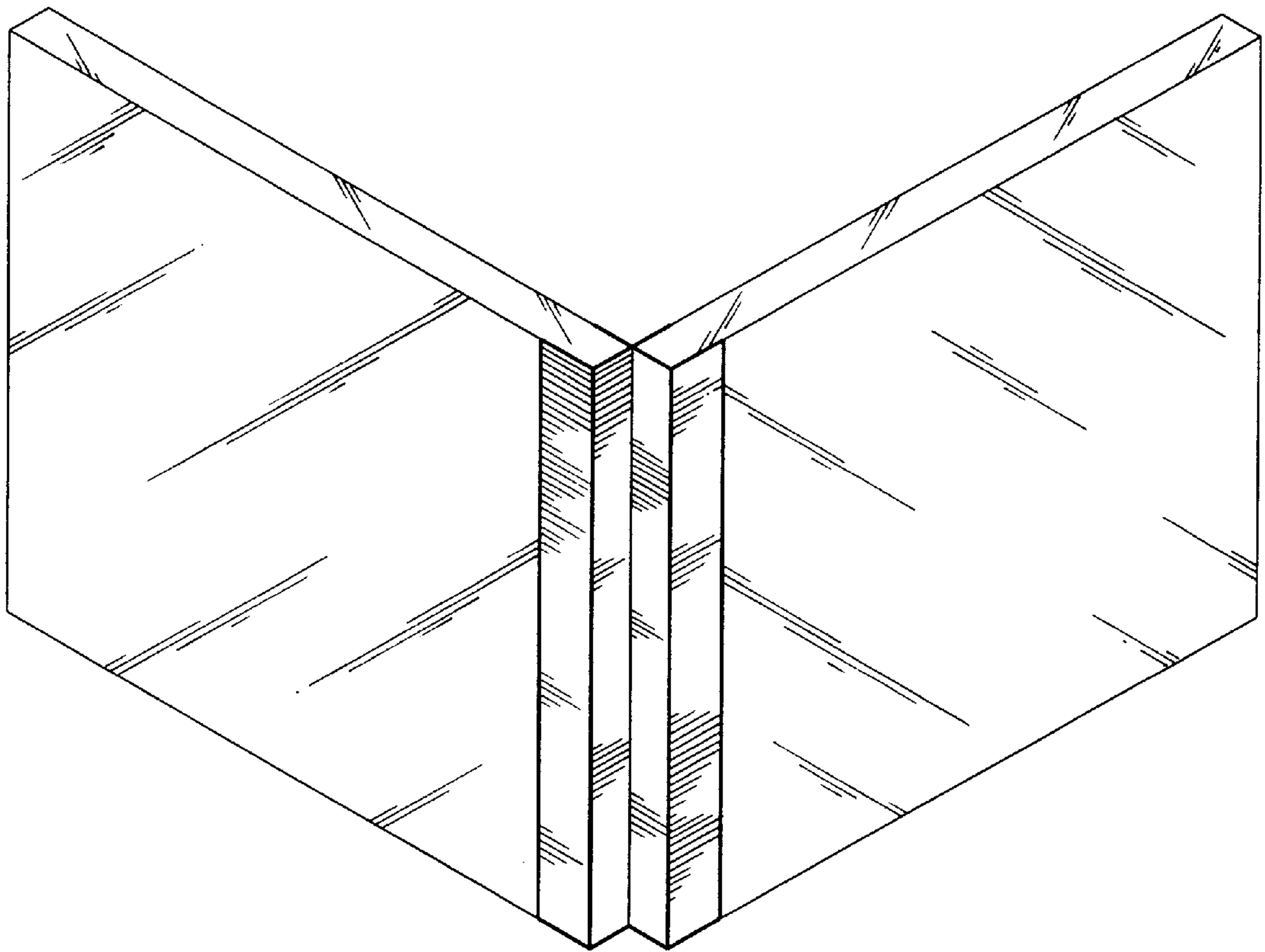


FIG. 7