



US00D416703S

United States Patent [19] Lin

[11] **Patent Number: Des. 416,703**

[45] **Date of Patent: ** Nov. 23, 1999**

[54] **CHAIR**

[76] Inventor: **Steve Lin**, No. 80, Kengtsai Ping,
Hoping Village, Chuchi Hsiang, Chiayi
Hsien, Taiwan

[**] Term: **14 Years**

[21] Appl. No.: **29/097,022**

[22] Filed: **Nov. 25, 1998**

[51] **LOC (6) Cl.** **06-01**

[52] **U.S. Cl.** **D6/376; D6/379**

[58] **Field of Search** D6/334, 369, 370,
D6/374, 376, 379, 380, 500, 501, 502;
297/446.1

[56] **References Cited**

U.S. PATENT DOCUMENTS

D. 95,745	5/1935	Hoffmann	D6/379
D. 286,827	11/1986	Arthur, Jr.	D6/376
D. 286,828	11/1986	Arthur, Jr.	D6/376
D. 333,750	3/1993	Hess	D6/500

D. 335,587	5/1993	Backer	D6/379
D. 335,971	6/1993	Hess	D6/379
D. 342,629	12/1993	Tseng	D6/370
D. 372,596	8/1996	Reinhard	D6/379
D. 385,425	10/1997	Goetz	D6/379
D. 401,077	11/1998	Lewis	D6/369

Primary Examiner—Gary D. Watson
Attorney, Agent, or Firm—Bacon & Thomas, PLLC

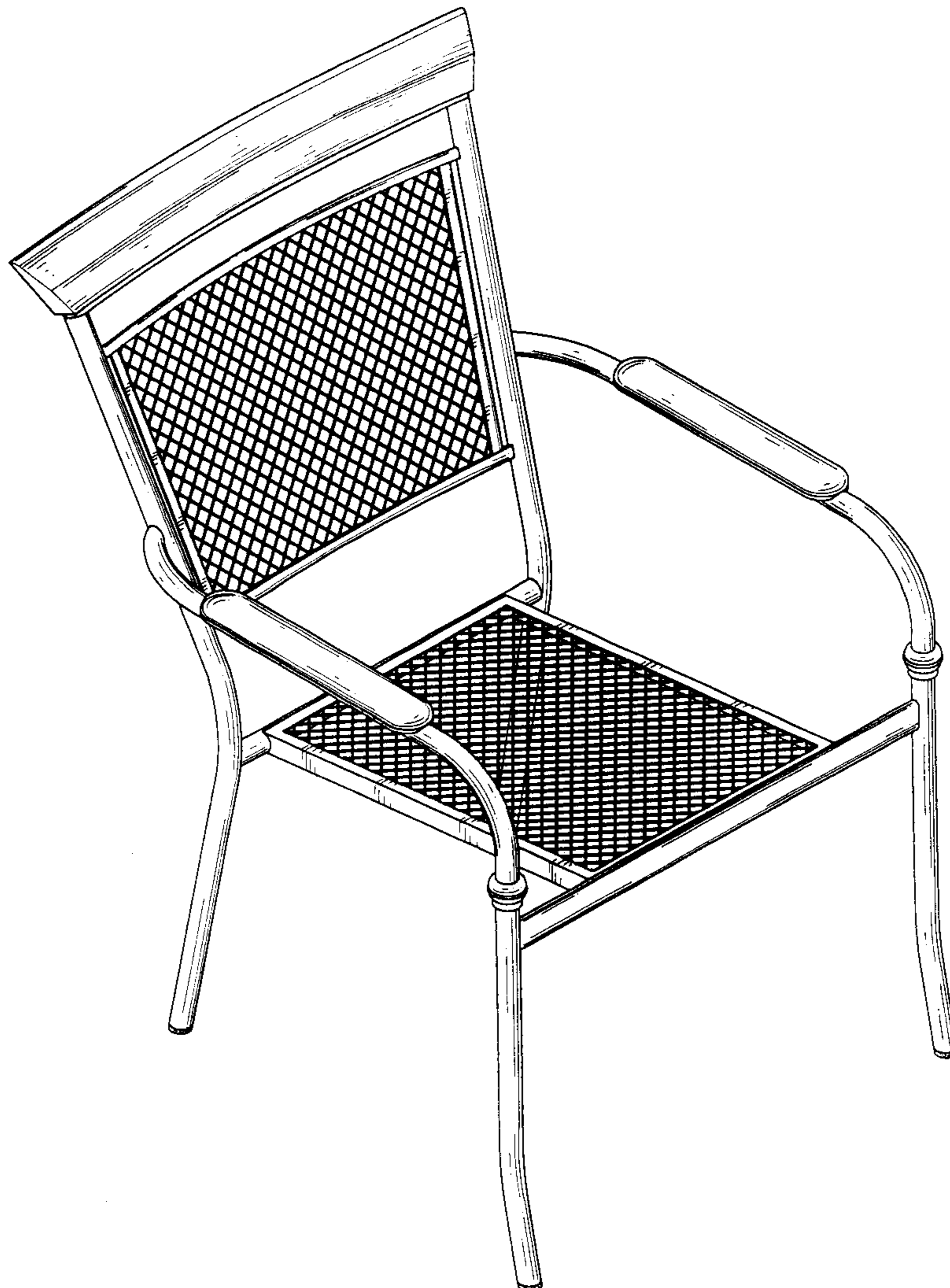
[57] **CLAIM**

The ornamental design for a chair, as shown and described.

DESCRIPTION

FIG. 1 is a front-left-top perspective view of a chair, showing my new design;
FIG. 2 is a front elevational view thereof;
FIG. 3 is a rear elevational view thereof;
FIG. 4 is a left side elevational view thereof;
FIG. 5 is a right side elevational view thereof;
FIG. 6 is a top plan view thereof; and,
FIG. 7 is a bottom plan view thereof.

1 Claim, 4 Drawing Sheets



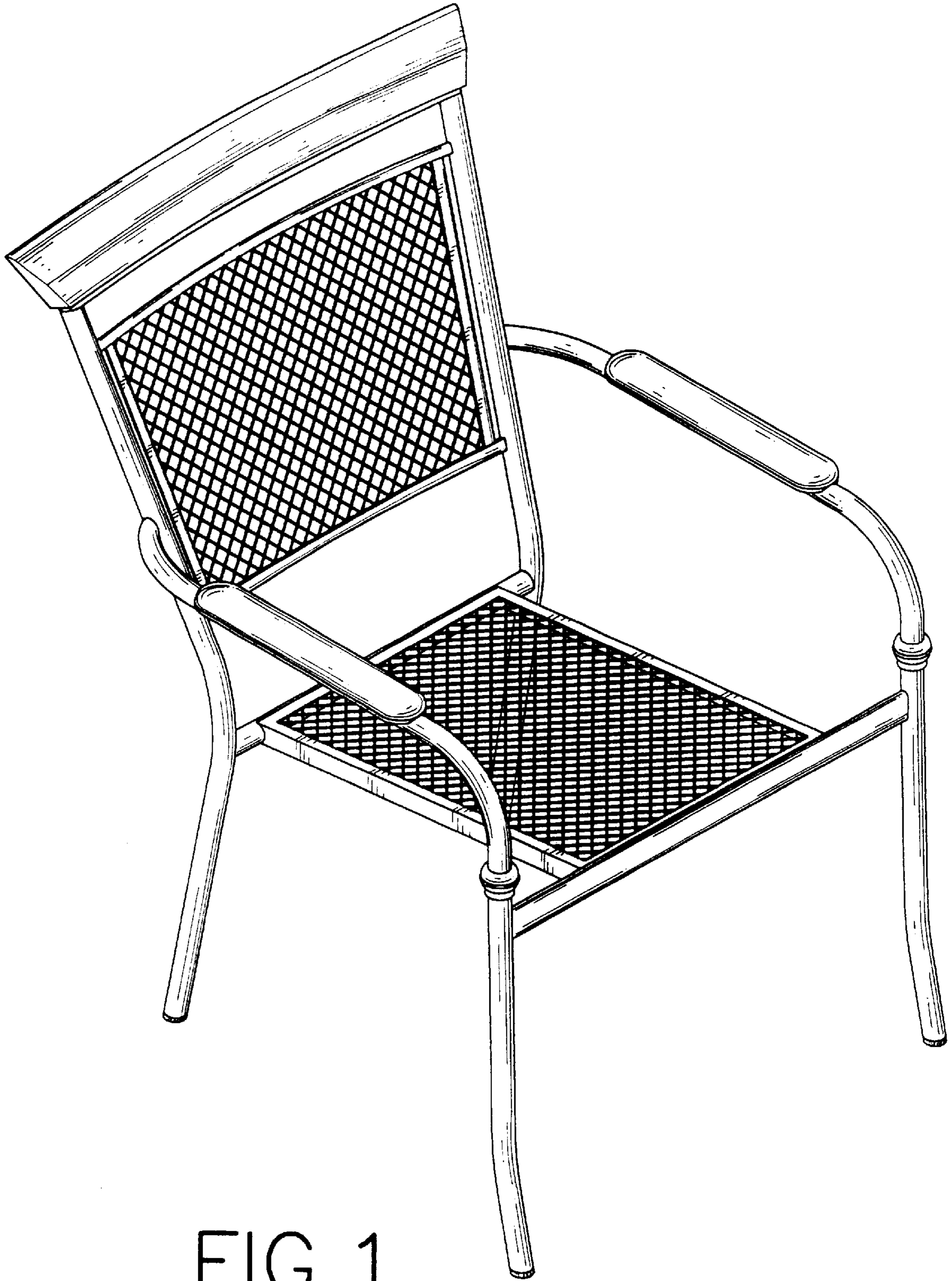


FIG. 1

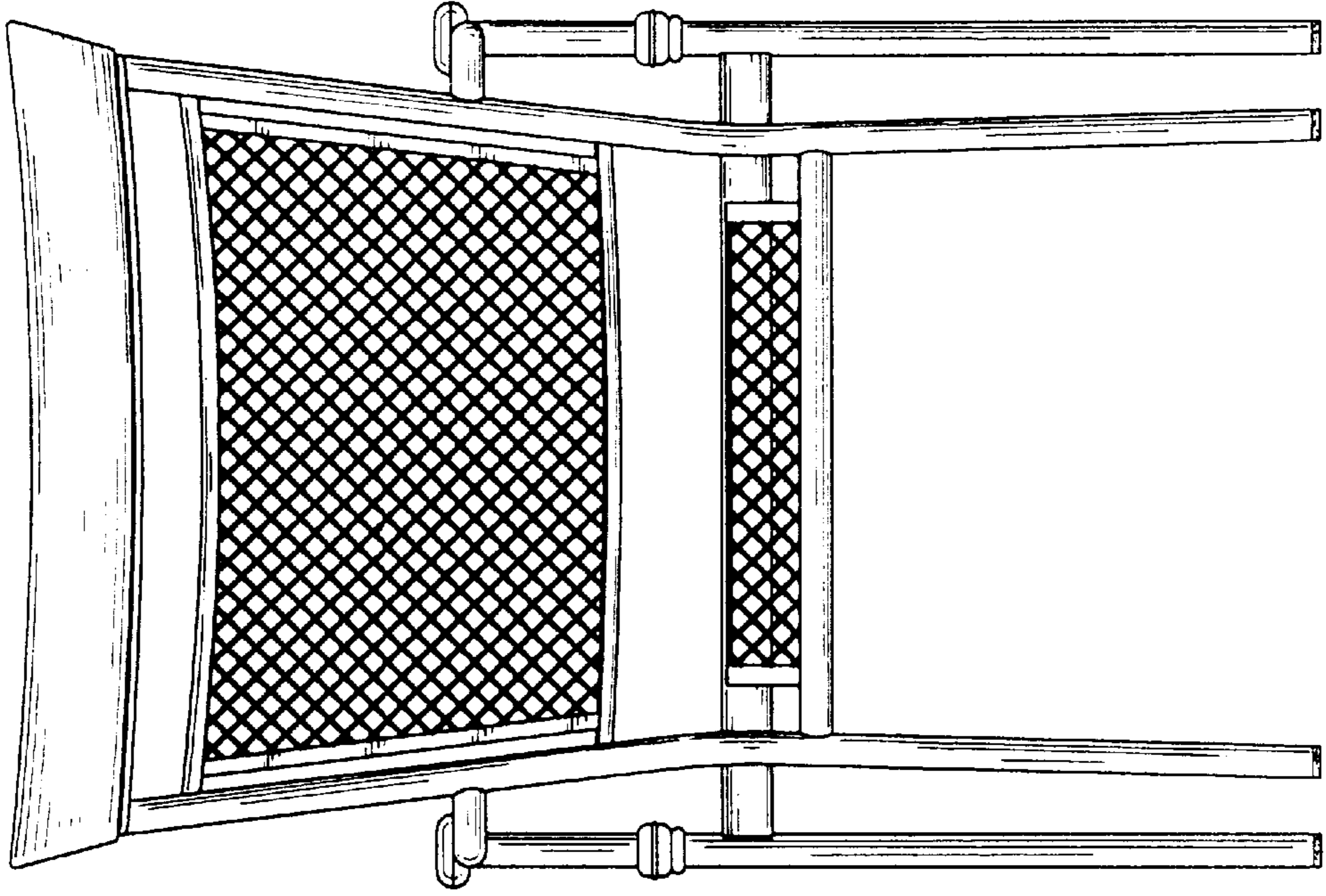


FIG. 3

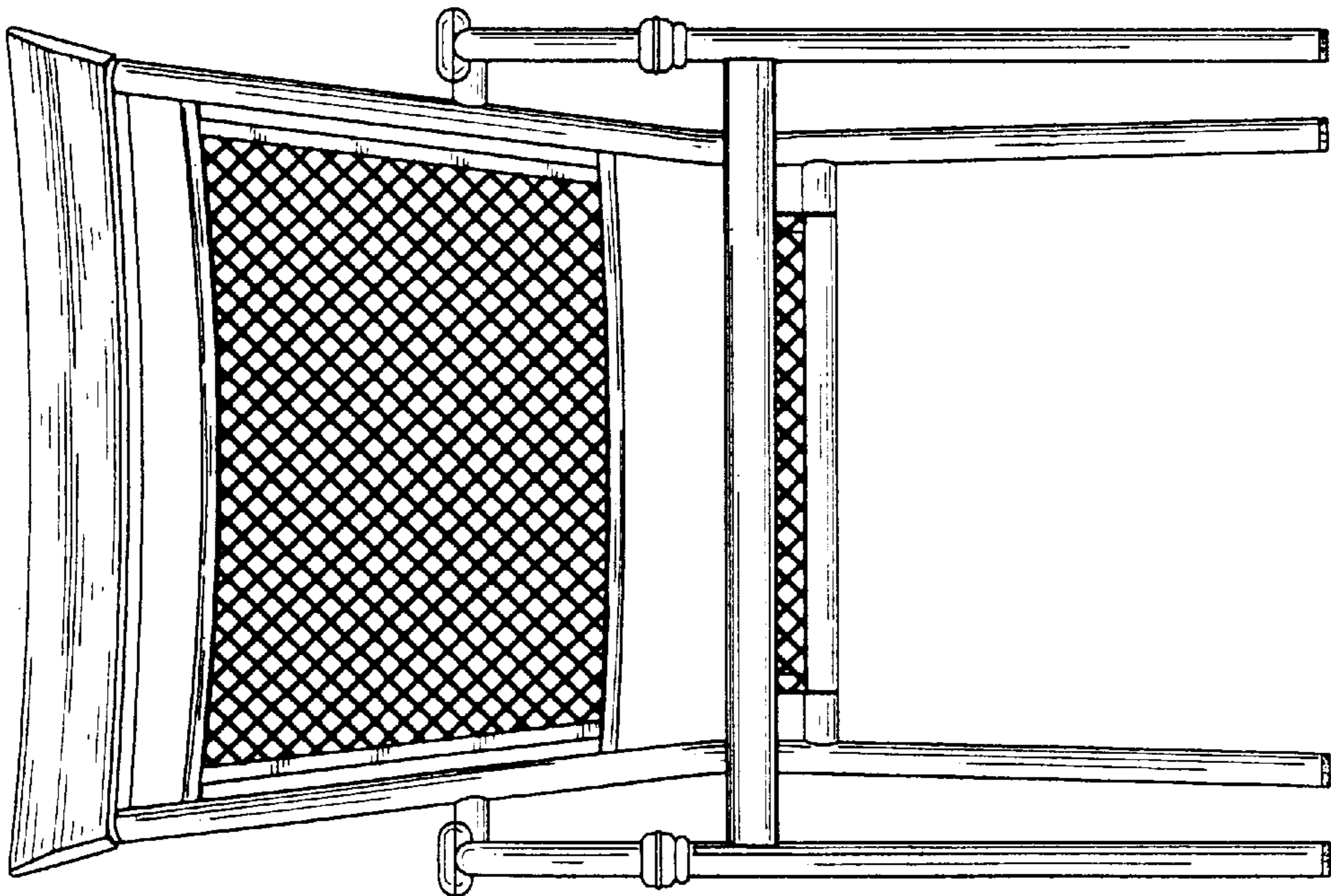


FIG. 2

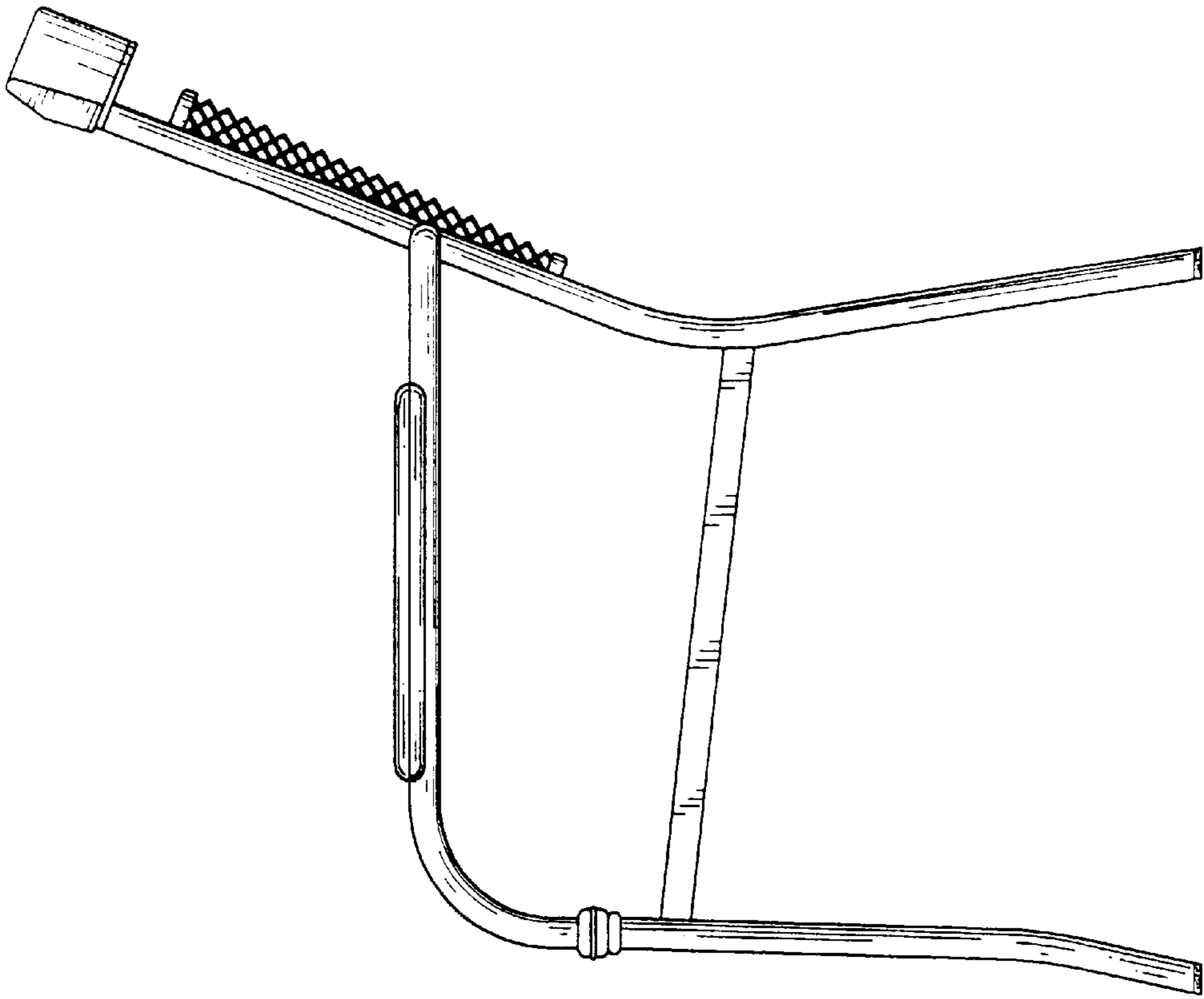


FIG. 5

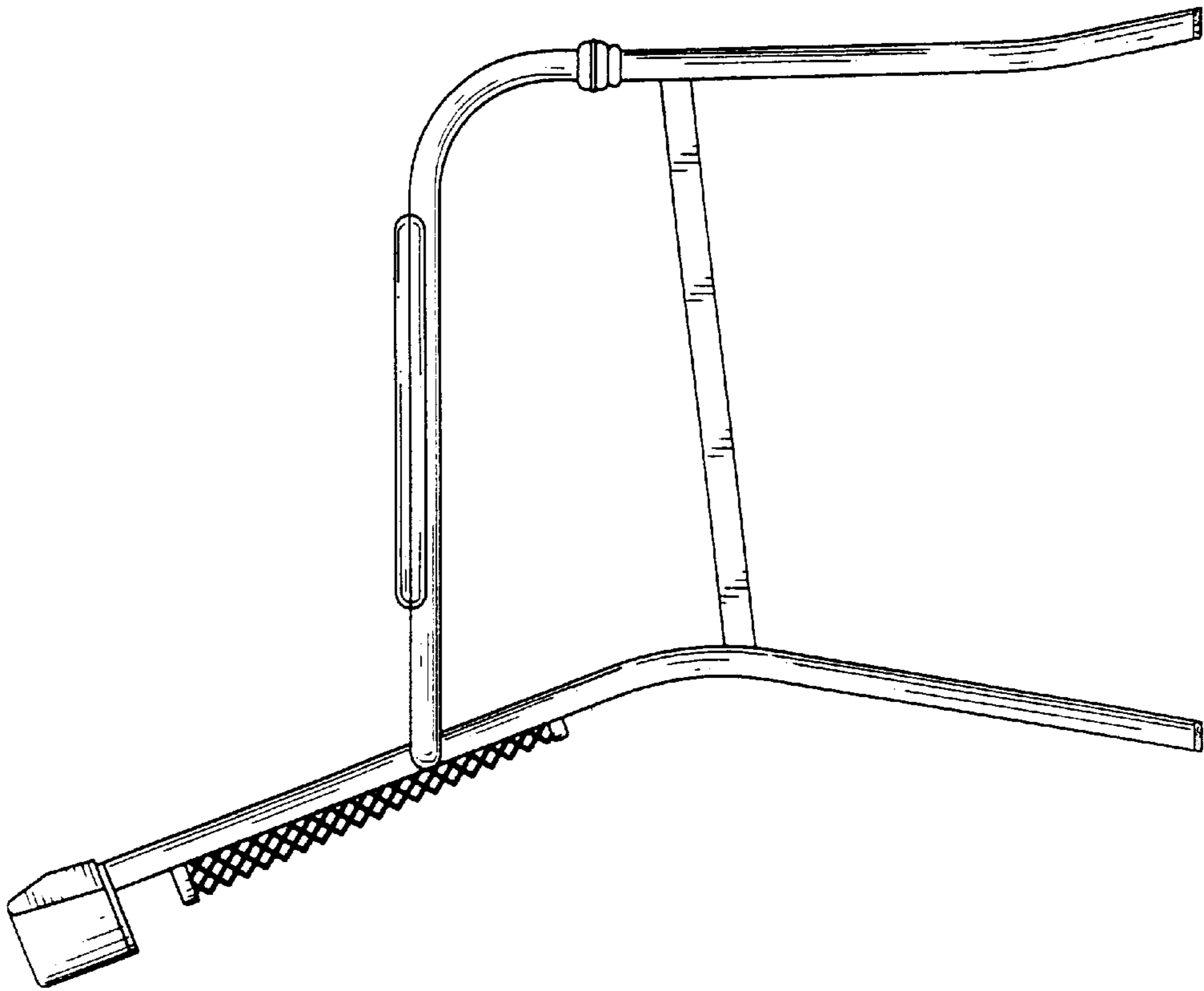


FIG. 4

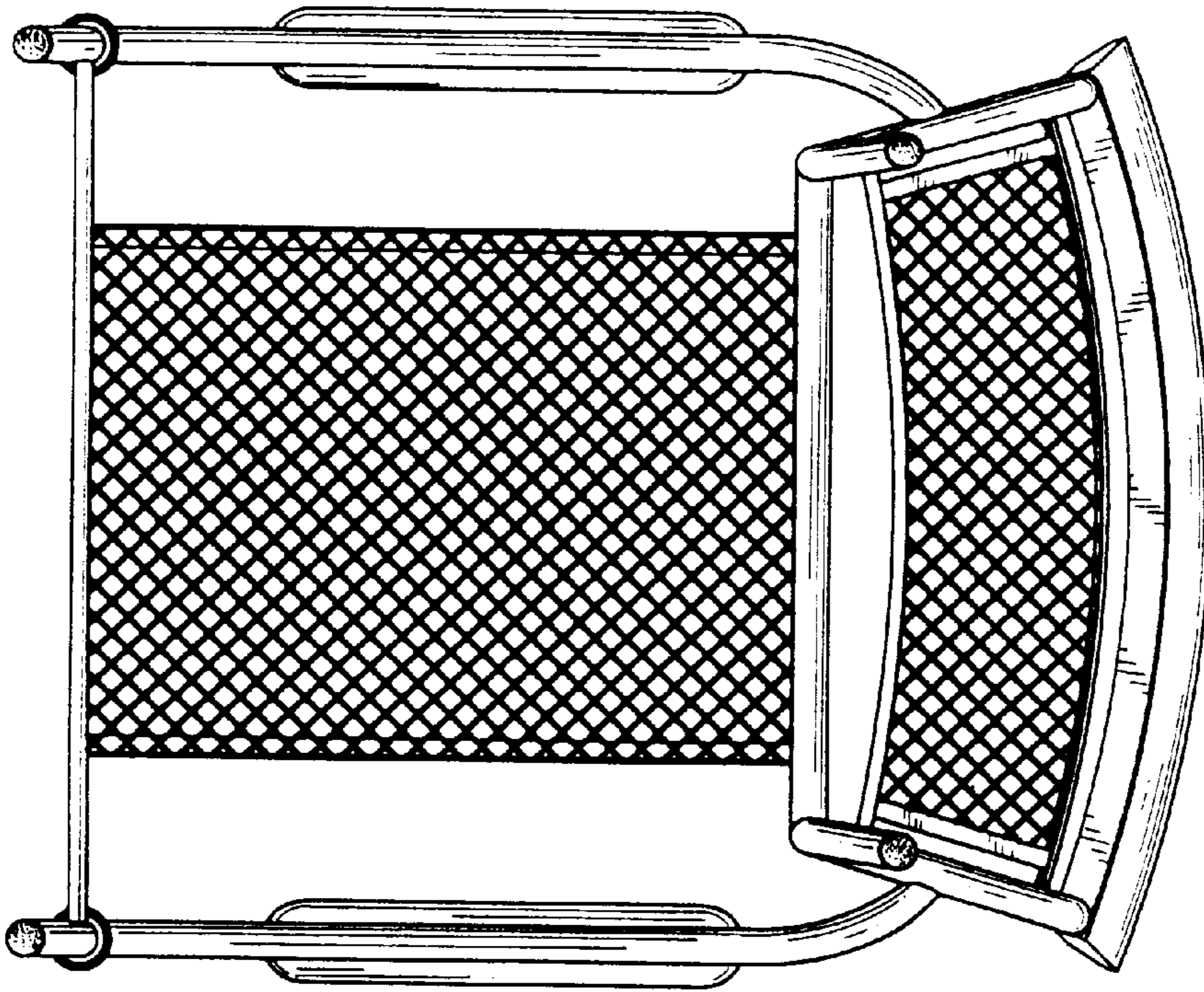


FIG. 7

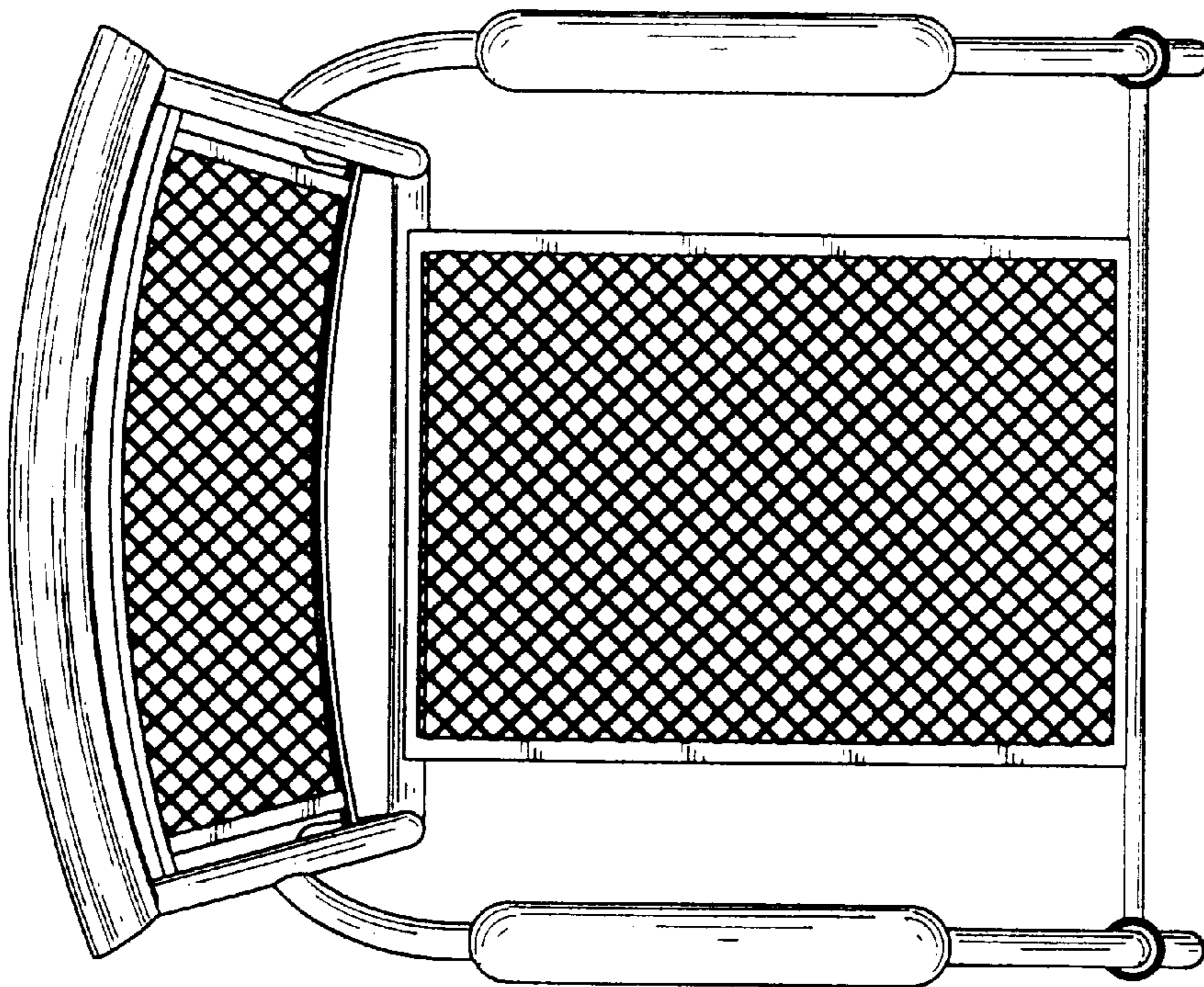


FIG. 6