



US00D416698S

**United States Patent** [19]  
**Newhouse**

[11] **Patent Number: Des. 416,698**

[45] **Date of Patent: \*\* Nov. 23, 1999**

[54] **WINDSOR CHAIR**

*Attorney, Agent, or Firm—Waters and Morse, P.C.*

[76] Inventor: **Thomas J. Newhouse**, 0-10923 2nd Ave., Grand Rapids, Mich. 49544-6753

[57] **CLAIM**

[\*\*] Term: **14 Years**

The ornamental design for a Windsor Chair, as shown and described.

[21] Appl. No.: **29/096,829**

**DESCRIPTION**

[22] Filed: **Nov. 19, 1998**

[51] **LOC (6) Cl.** ..... **06-01**

[52] **U.S. Cl.** ..... **D6/366**

[58] **Field of Search** ..... D6/334, 364, 365, D6/366, 367, 500, 501, 502; 297/411.2

FIG. 1 is a front left perspective view of a windsor chair showing my new design;

FIG. 2 is a back right perspective view thereof;

FIG. 3 is a front elevational view thereof;

FIG. 4 is a rear elevational view thereof;

FIG. 5 is a left side elevational view thereof, the right side elevational view being a mirror image thereof;

FIG. 6 is a bottom perspective view thereof; and,

FIG. 7 is a top perspective view thereof.

[56] **References Cited**

**U.S. PATENT DOCUMENTS**

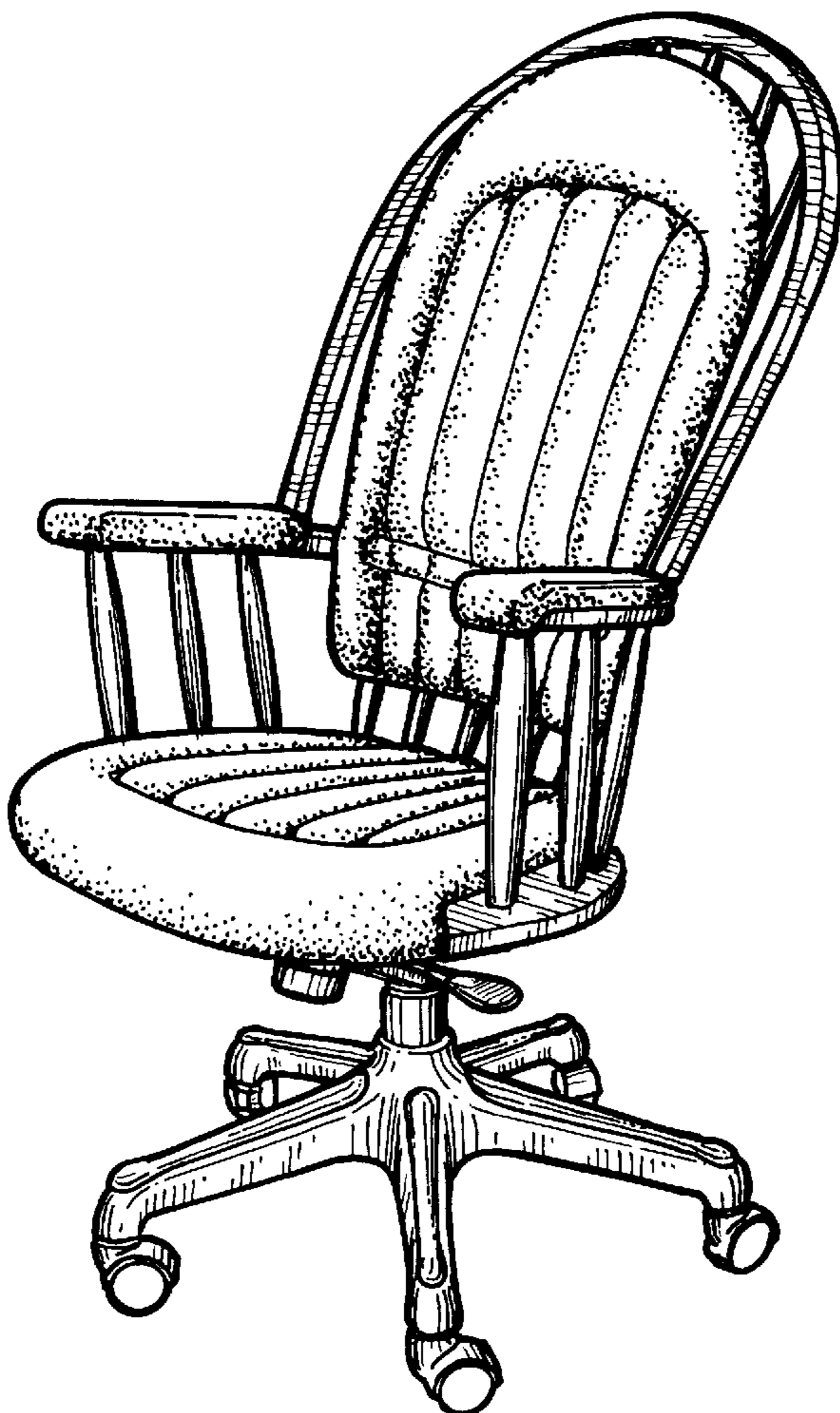
D. 86,709	4/1932	Foote	.....	D6/366
D. 316,192	4/1991	Murry et al.	.....	D6/366
D. 333,218	2/1993	Murry	.....	D6/366

**OTHER PUBLICATIONS**

Heywood–Wakefield, p. 121, Chair #104 XY at bottom right.

*Primary Examiner—Gary D. Watson*

**1 Claim, 4 Drawing Sheets**



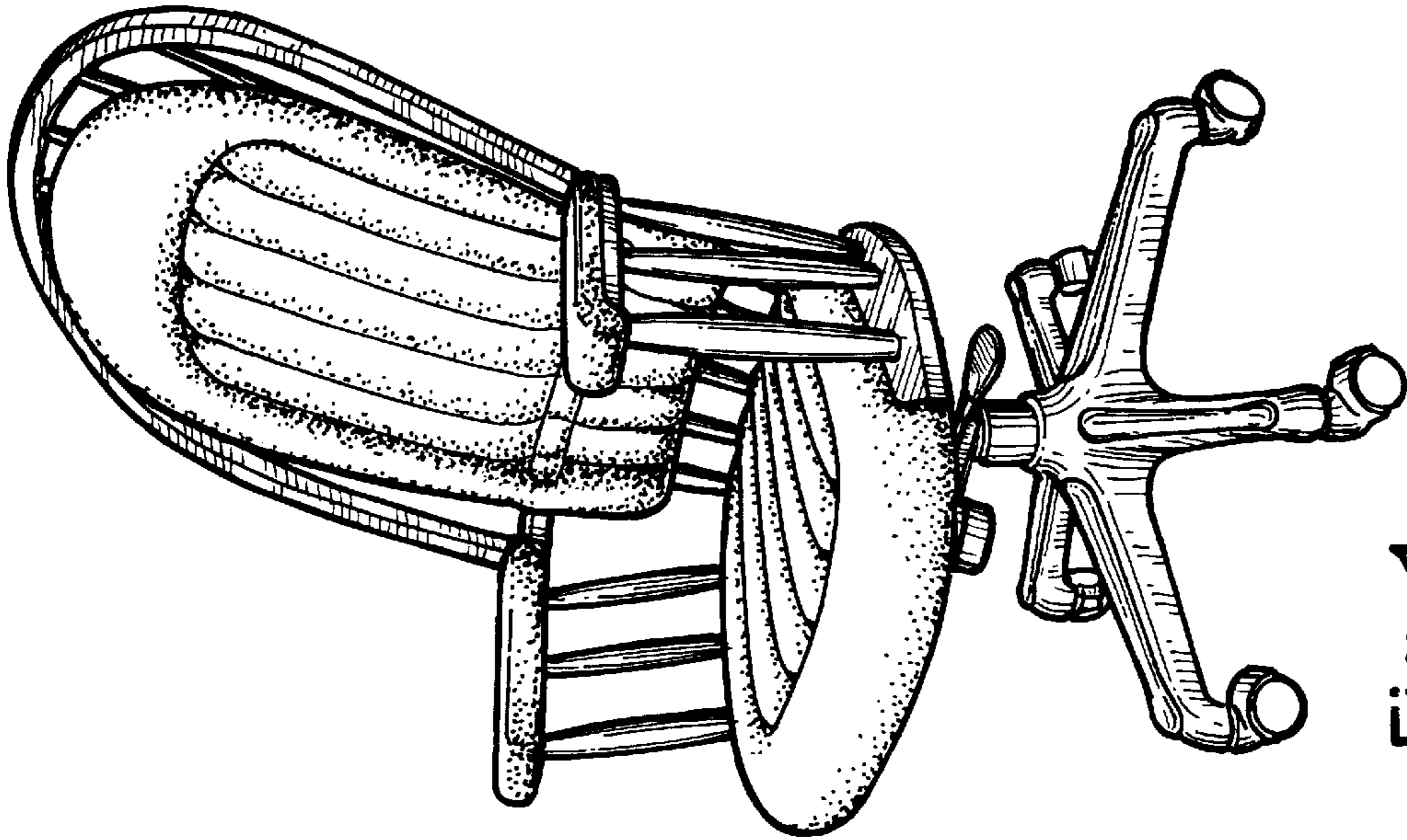


Fig. 1

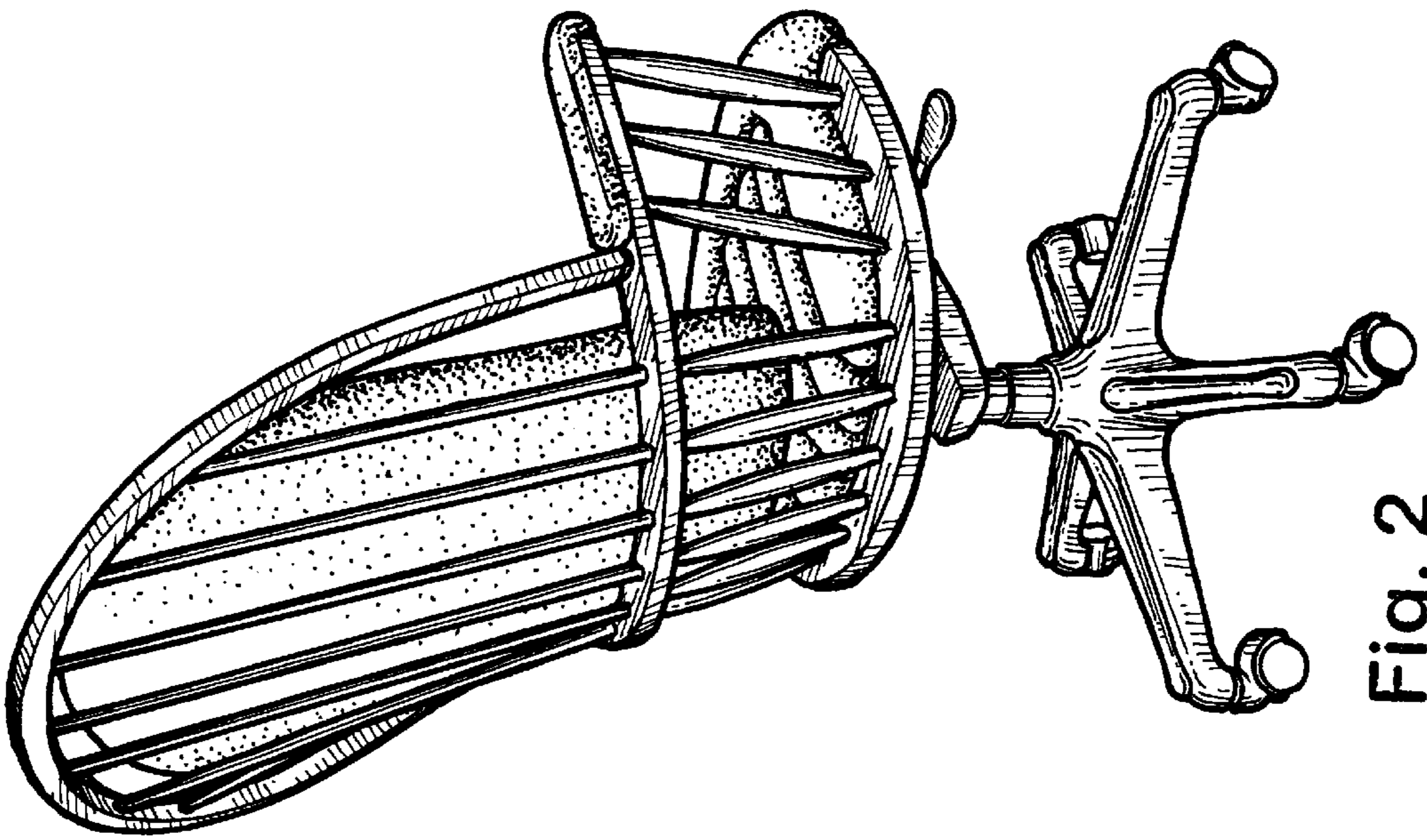


Fig. 2

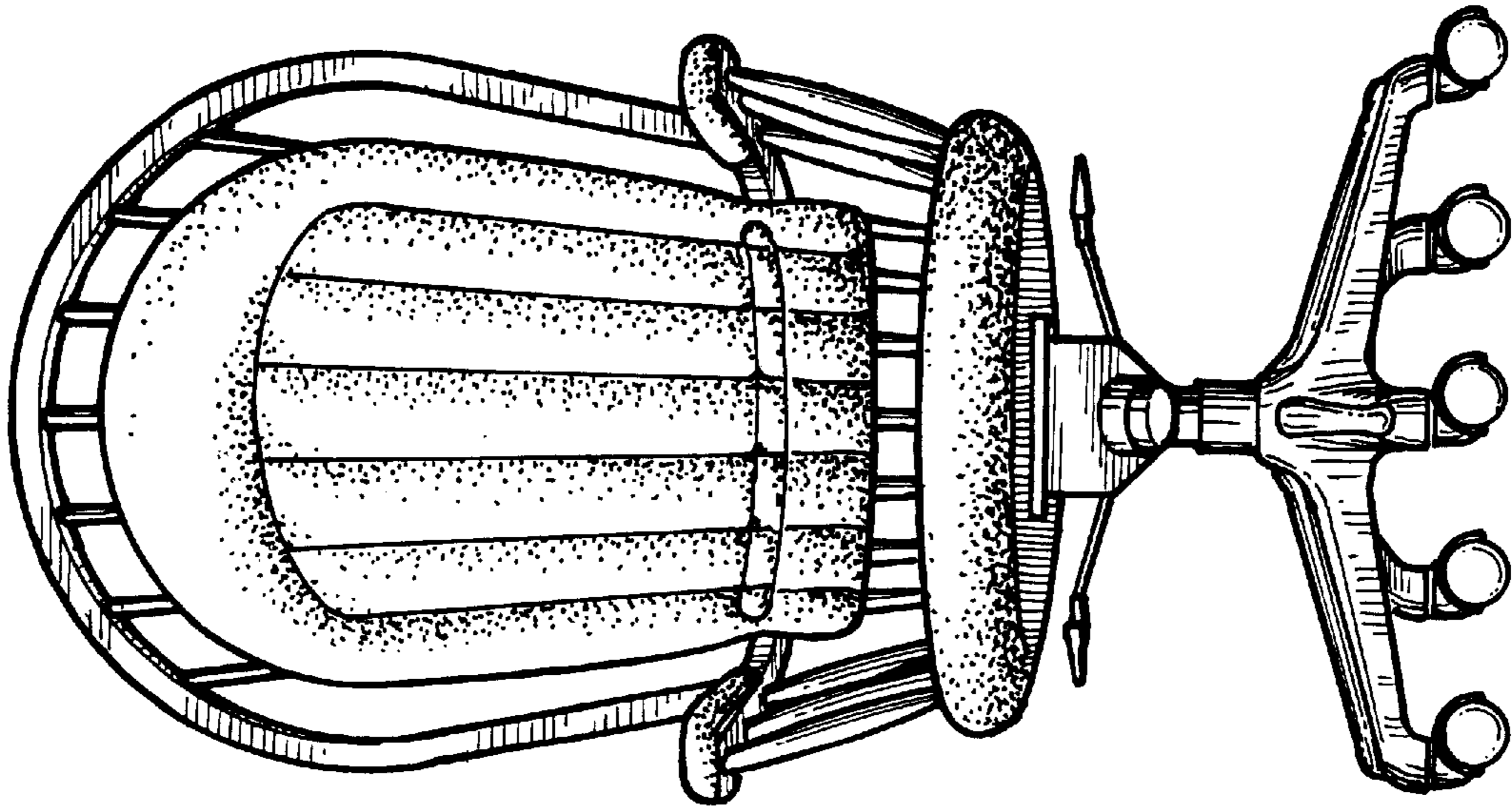


Fig. 3

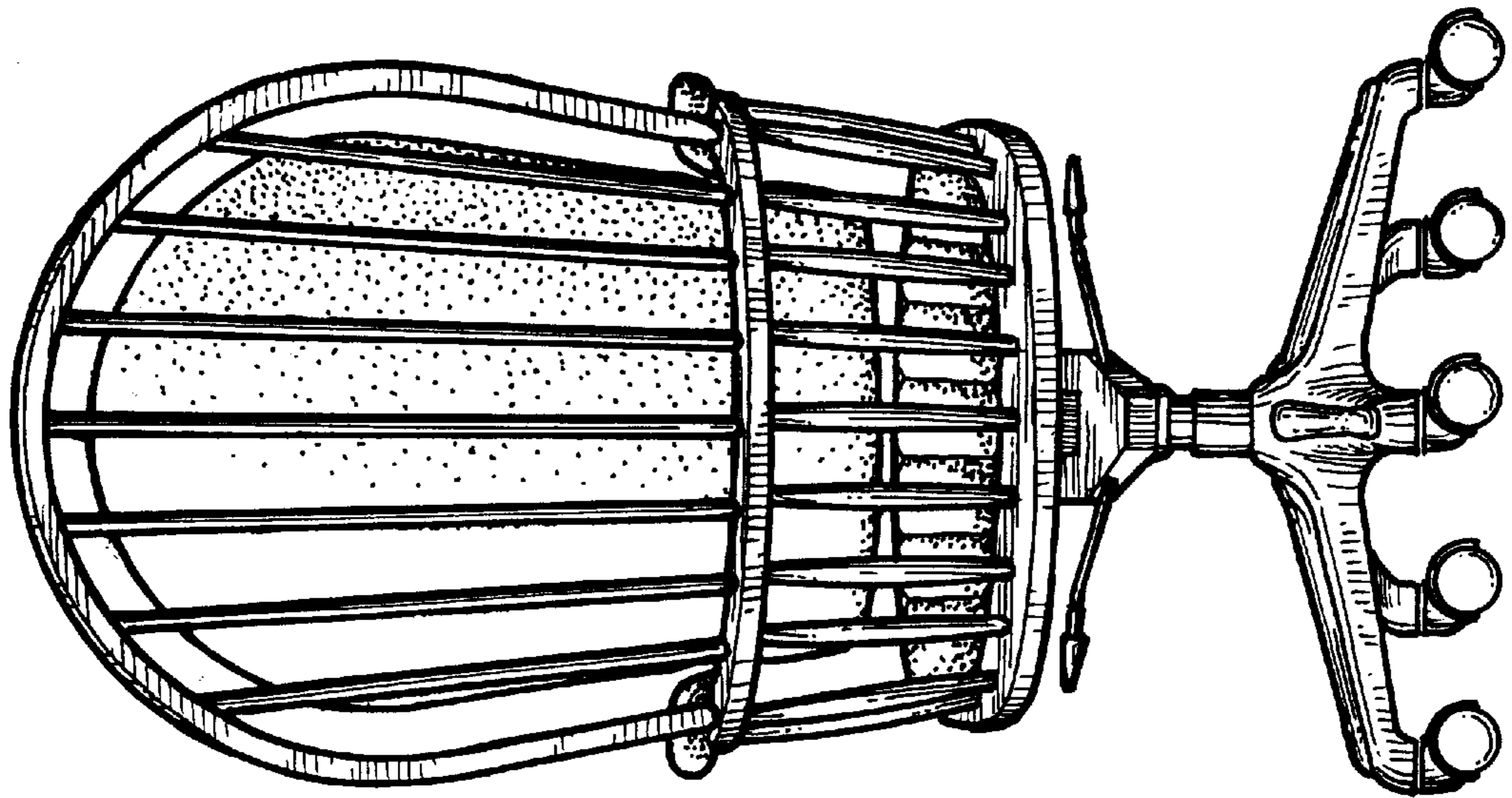


Fig. 4



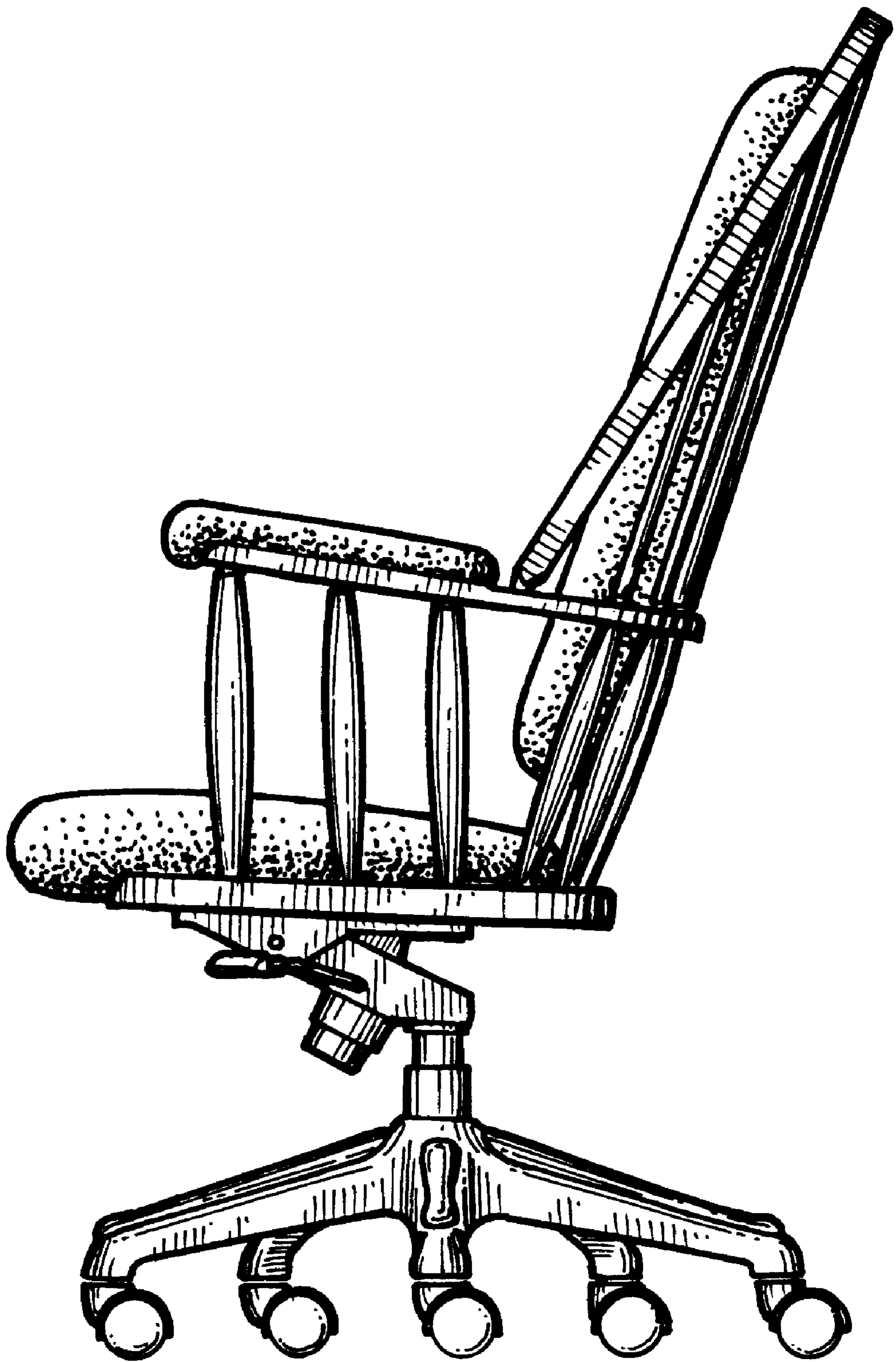


Fig. 5

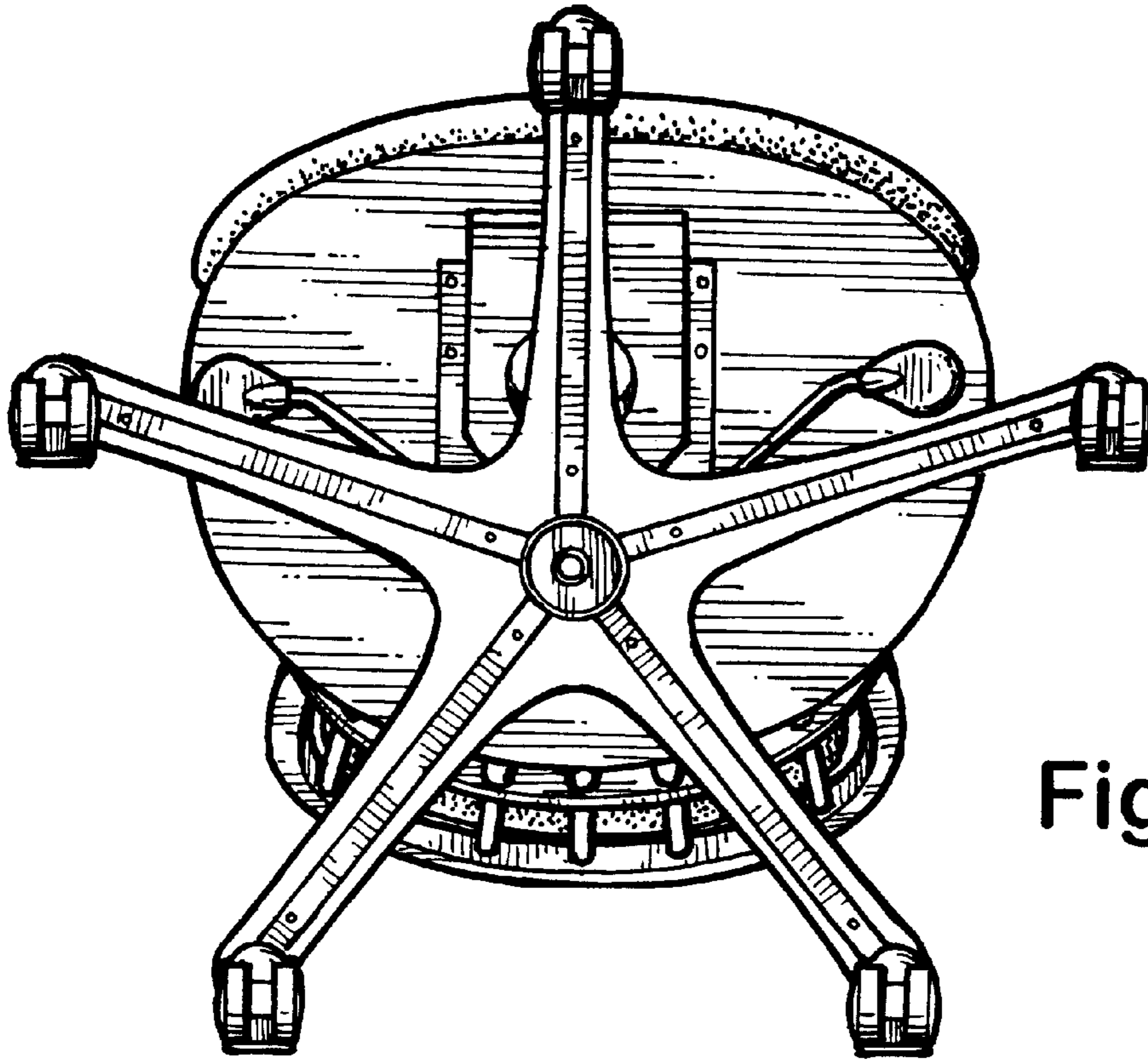


Fig. 6

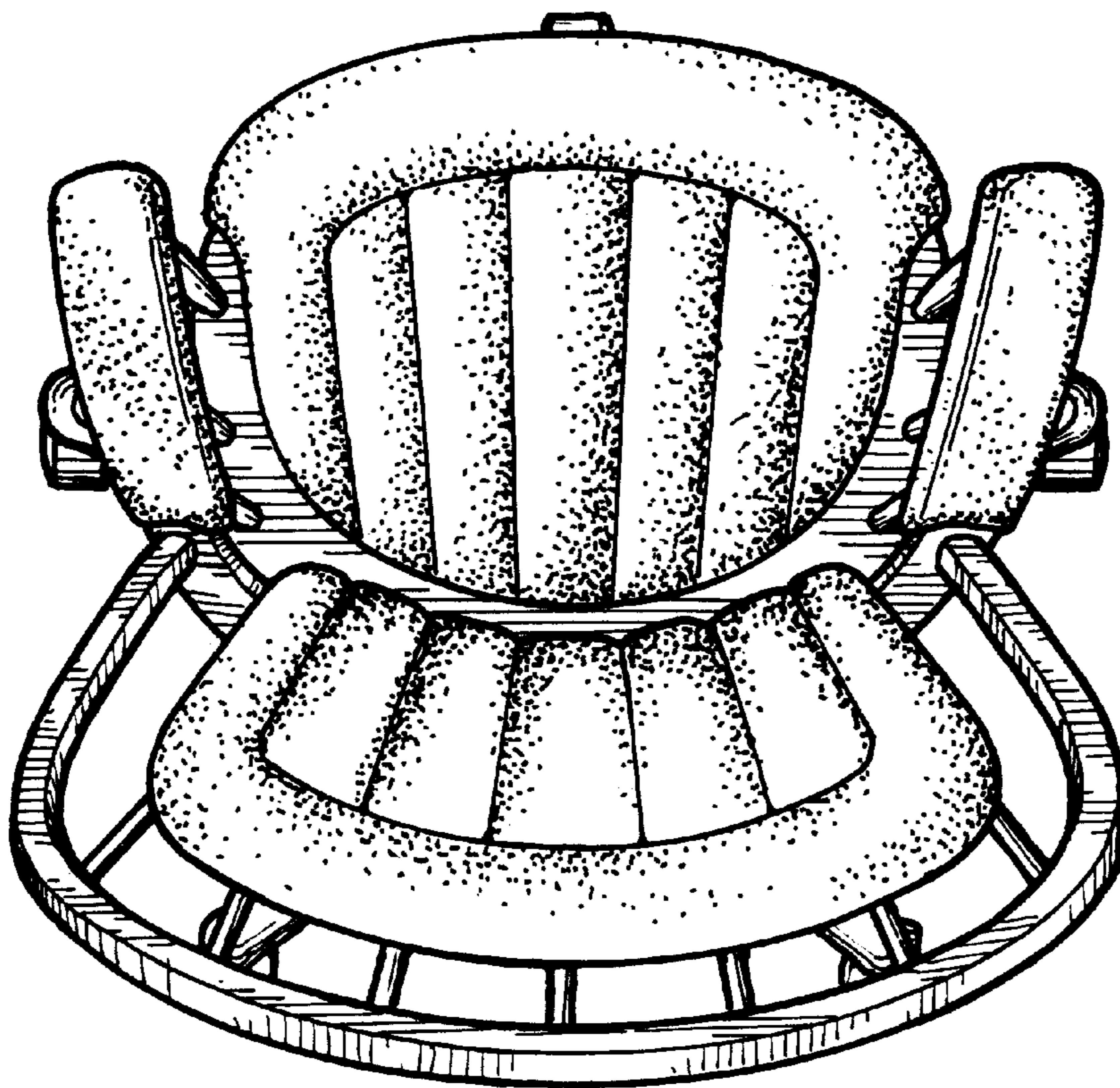


Fig. 7