



US00D416693S

United States Patent [19] Kovalchek

[11] **Patent Number: Des. 416,693**

[45] **Date of Patent: ** Nov. 23, 1999**

[54] TABLE FOR HANDICAPPED ACCESS

[76] Inventor: **George Kovalchek**, 65 Tadmuck Rd.,
Westford, Mass. 01886

[**] Term: **14 Years**

[21] Appl. No.: **29/069,770**

[22] Filed: **Apr. 23, 1997**

Related U.S. Application Data

[62] Division of application No. 29/045,093, Oct. 10, 1995, Pat.
No. Des. 381,820.

[51] **LOC (6) Cl.** **06-01**

[52] **U.S. Cl.** **D6/337**

[58] **Field of Search** D6/334, 335, 336,
D6/337, 370, 500, 501, 502; 297/158.3

[56] References Cited

U.S. PATENT DOCUMENTS

D. 360,536 7/1995 Pelletier D6/337
2,583,247 1/1952 Aja et al. D6/337 X

OTHER PUBLICATIONS

Home Furnishings, p. 75, Picnic Table at top, Oct. 1953.

Primary Examiner—Gary D. Watson
Attorney, Agent, or Firm—Pearson & Pearson

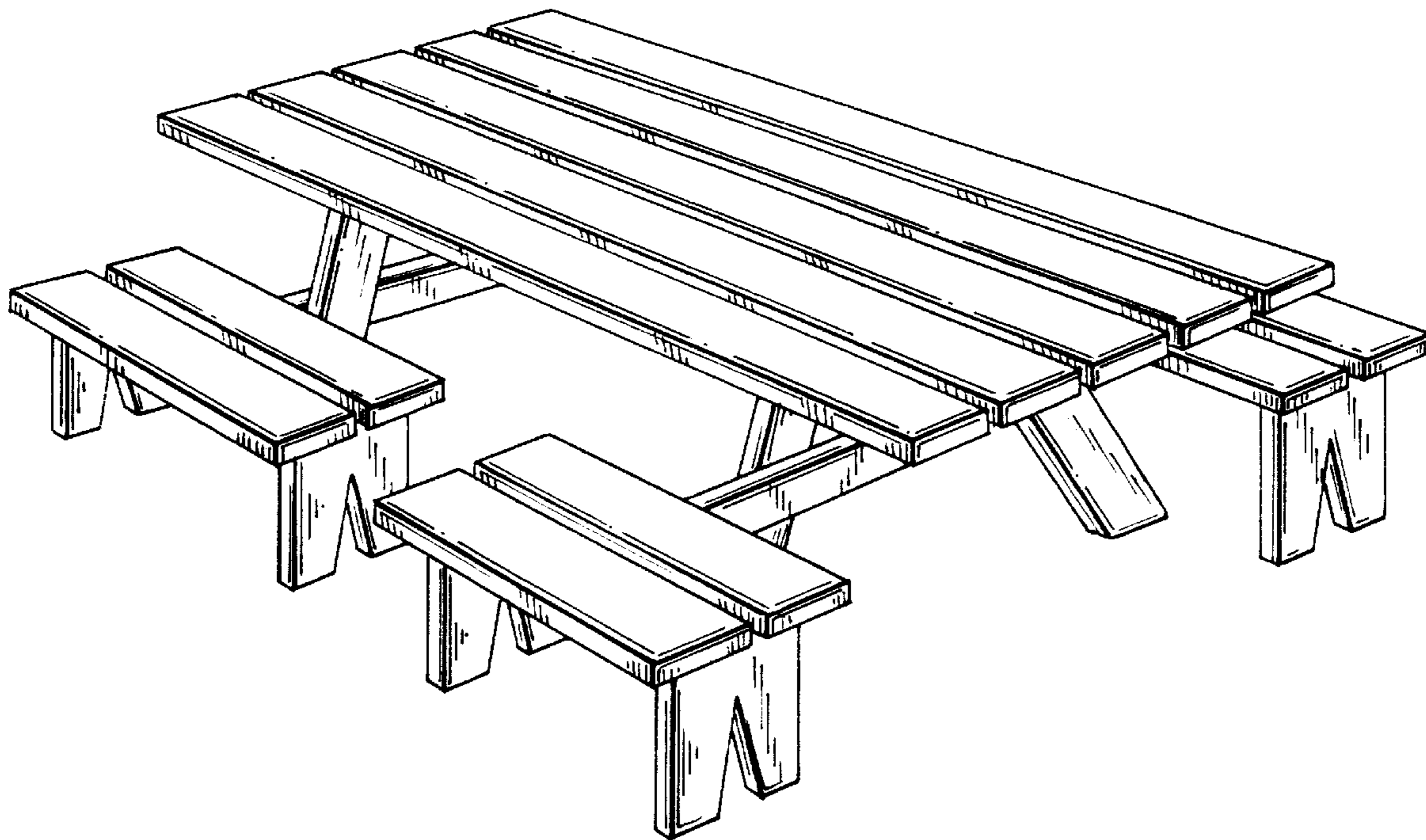
[57] CLAIM

The ornamental design for a table for handicapped access, as shown and described.

DESCRIPTION

FIG. 1 is a front perspective view of the table for handicapped access showing my new design;
FIG. 2 is a front elevational view of the table for handicapped access thereof with the rear view being a mirror image;
FIG. 3 is a left side elevational view of the table for handicapped access thereof with the right side view being a mirror image;
FIG. 4 is a top plan view of the table for handicapped access thereof; and,
FIG. 5 is a bottom plan view of the table for handicapped access thereof.

1 Claim, 3 Drawing Sheets



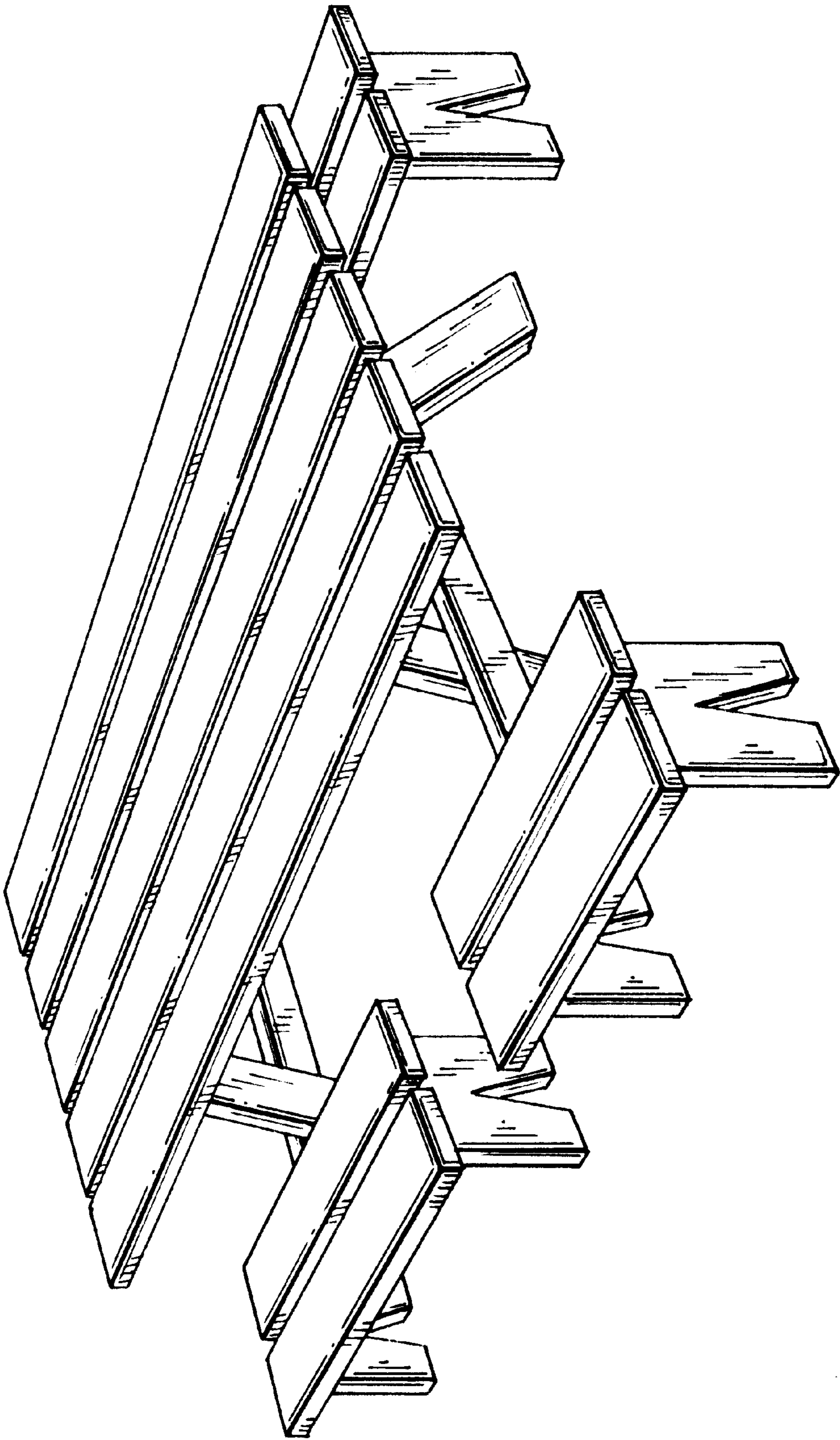


FIG. 1

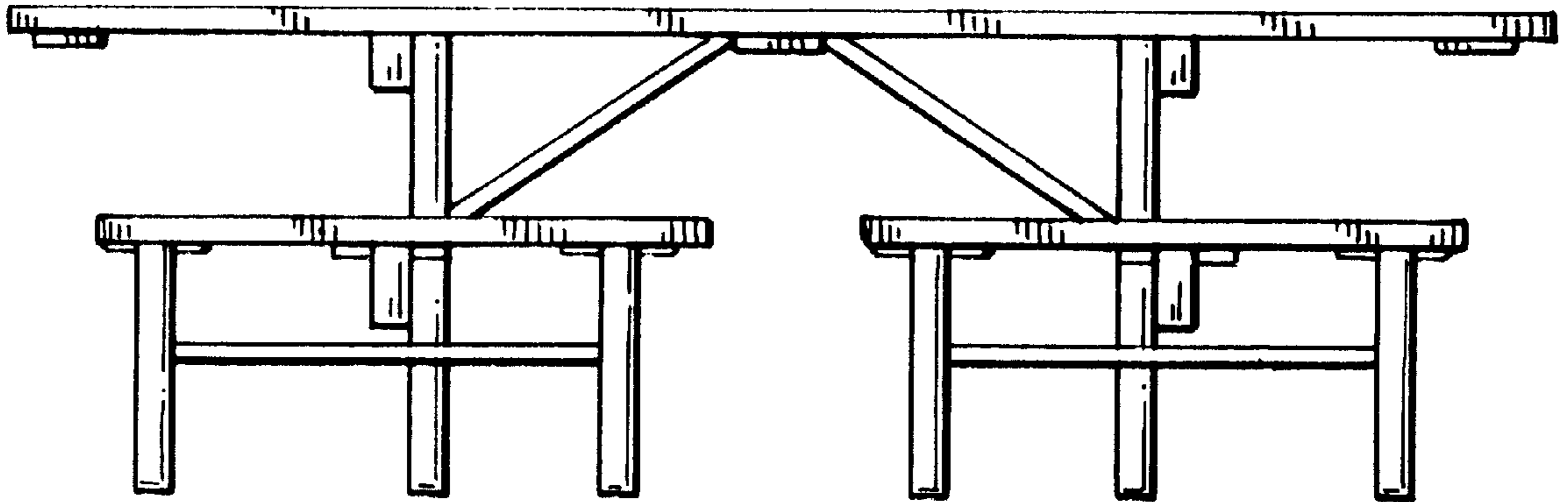


FIG. 2

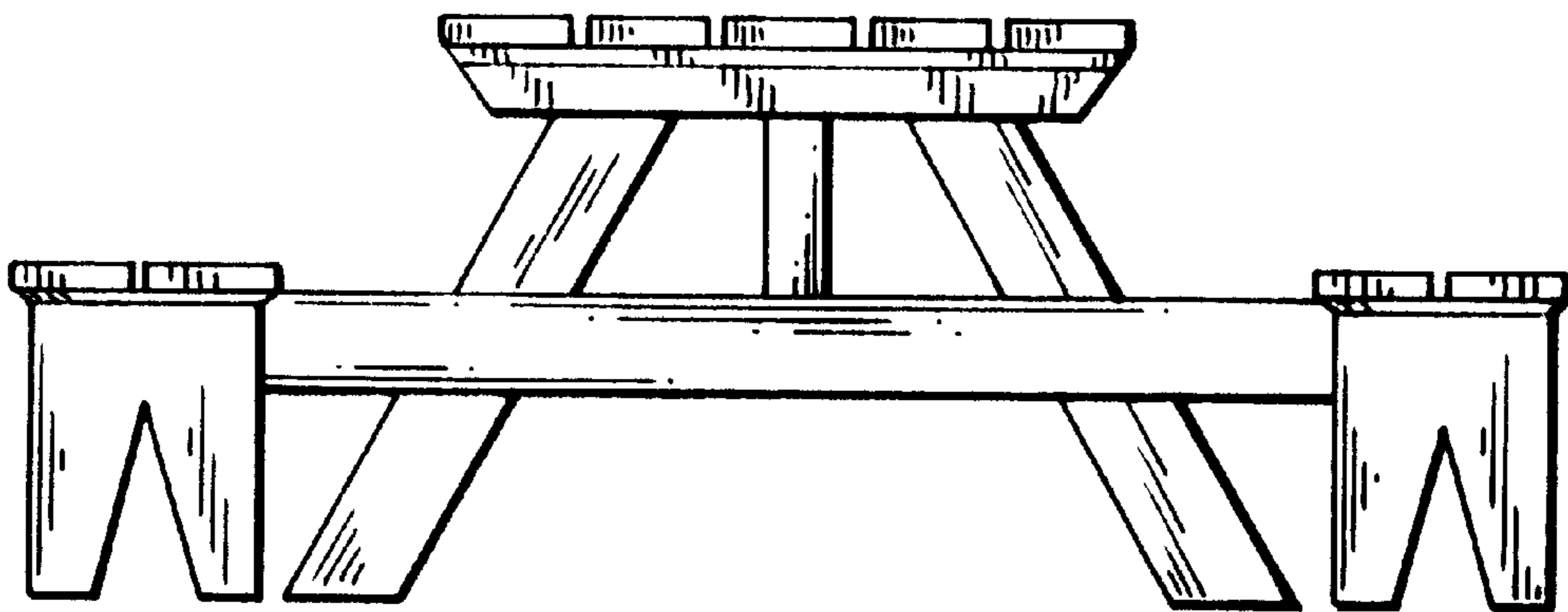


FIG. 3

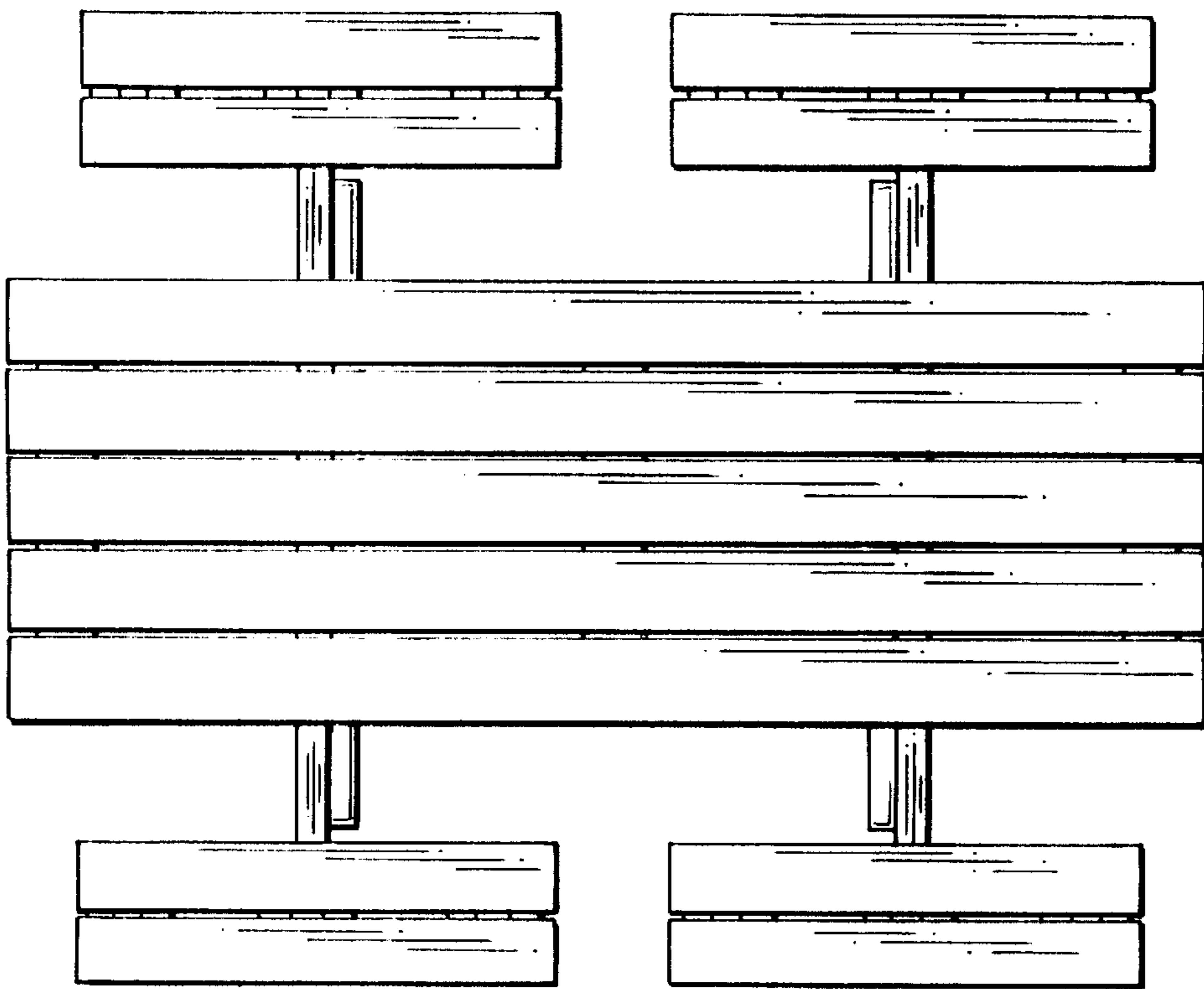


FIG. 4

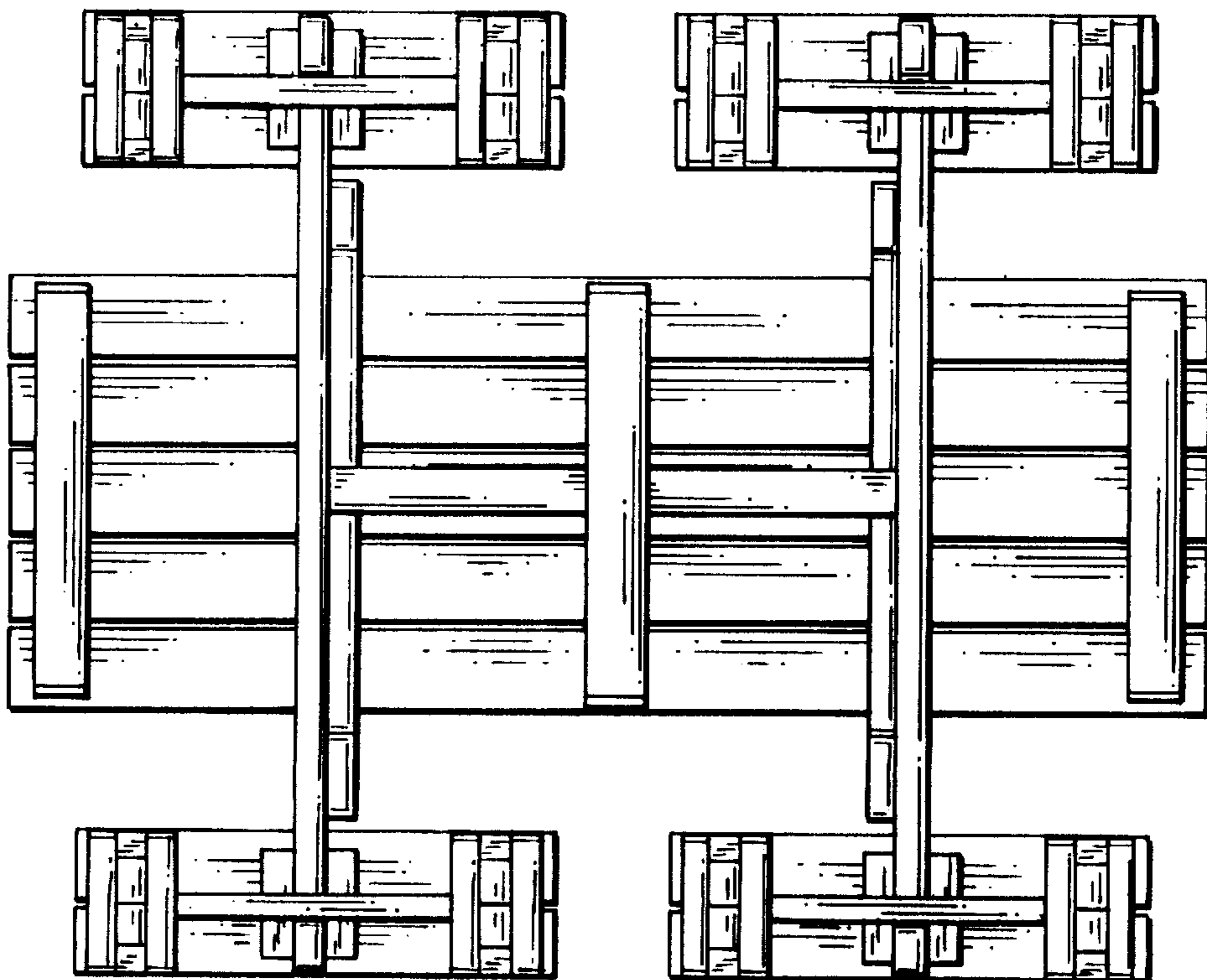


FIG. 5