



US00D416691S

United States Patent [19]
Logan, Jr.

[11] **Patent Number: Des. 416,691**
[45] **Date of Patent: ** Nov. 23, 1999**

[54] **PORTABLE LIGHTED MIRROR**

4,339,104 7/1982 Weidman 248/407
5,359,461 10/1994 Rice et al. 359/879

[76] Inventor: **William Logan, Jr.**, R.R. 2 Box 207A,
Pinewood, S.C. 29125

Primary Examiner—Janice E. Seeger

[**] Term: **14 Years**

[57] **CLAIM**

[21] Appl. No.: **29/098,452**

The ornamental design for a portable lighted mirror, as shown and described.

[22] Filed: **Dec. 30, 1998**

DESCRIPTION

[51] **LOC (6) Cl.** **06-07**

[52] **U.S. Cl.** **D6/312**

[58] **Field of Search** D6/300–314; 40/700,
40/711, 733, 734, 735, 738, 765, 790, 798;
248/474; 359/838, 872, 881, 874

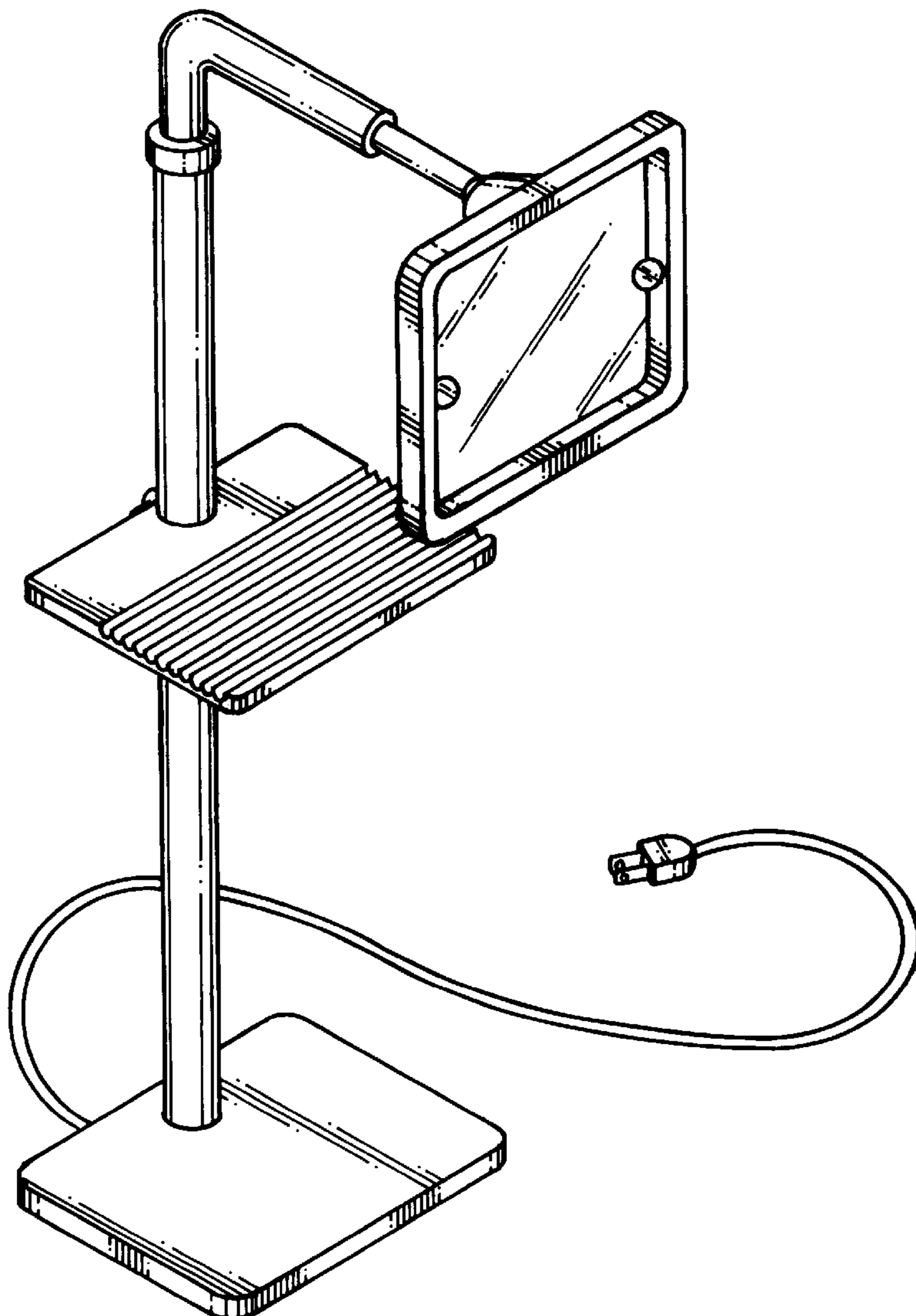
FIG. 1 is a perspective view of a portable lighted mirror showing my new design;
FIG. 2 is a front elevational view thereof;
FIG. 3 is a rear elevational view thereof;
FIG. 4 is a right side elevational view thereof;
FIG. 5 is a left side elevational view thereof;
FIG. 6 is a top plan view thereof; and,
FIG. 7 is a bottom plan view thereof.

[56] **References Cited**

U.S. PATENT DOCUMENTS

D. 160,995 11/1950 Busa D6/310
2,017,472 10/1935 Re 248/474

1 Claim, 4 Drawing Sheets



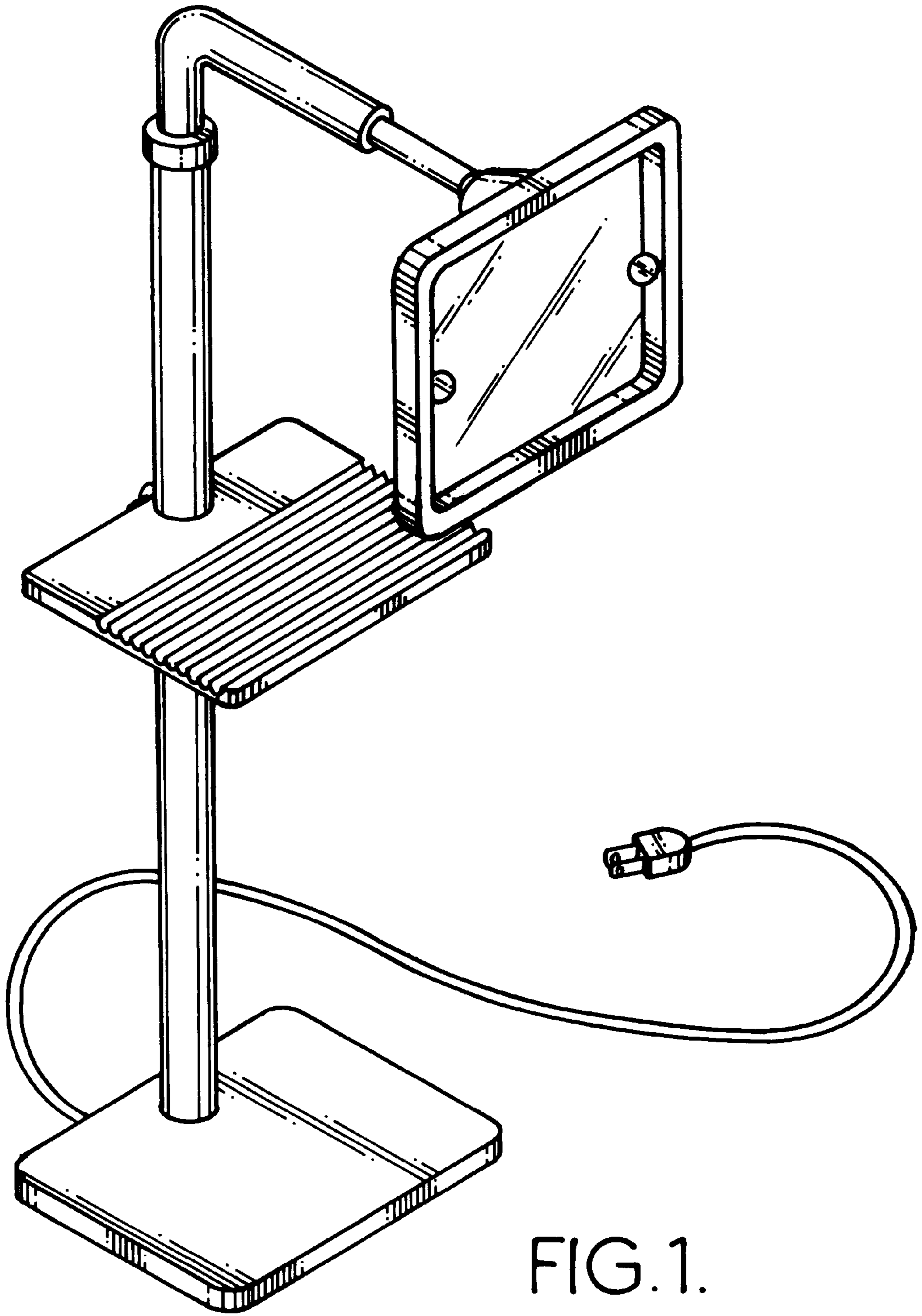


FIG. 1.

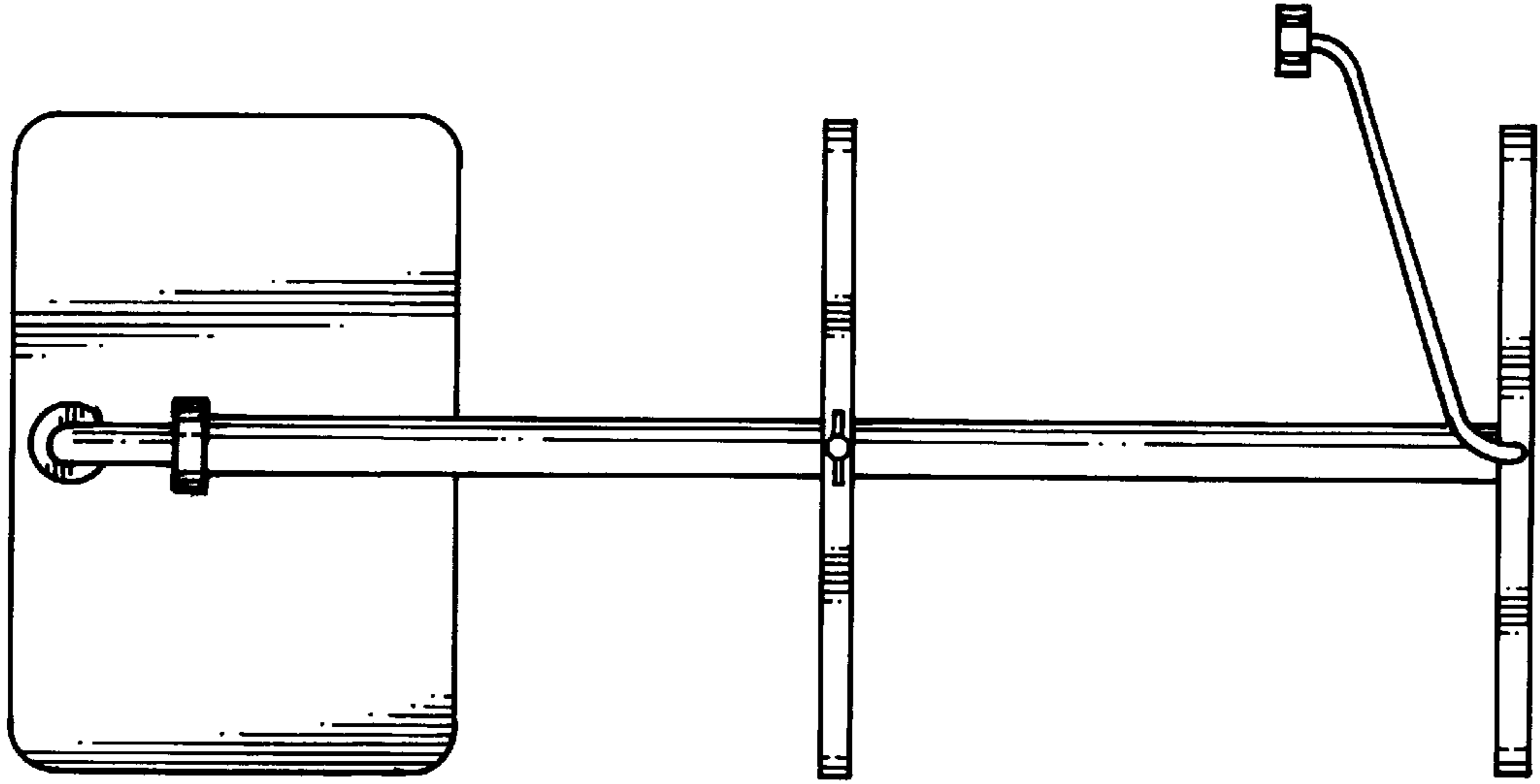


FIG. 3.

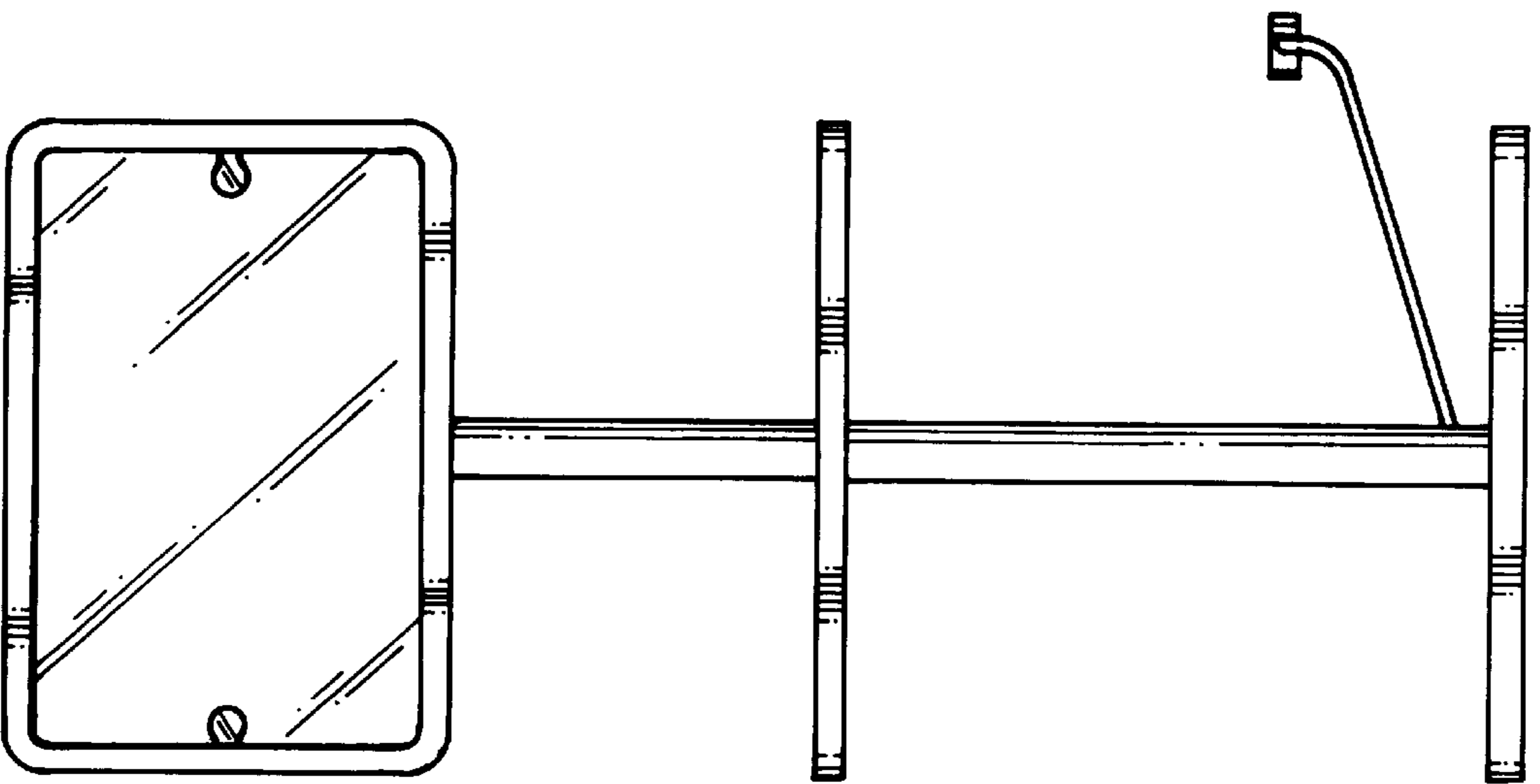
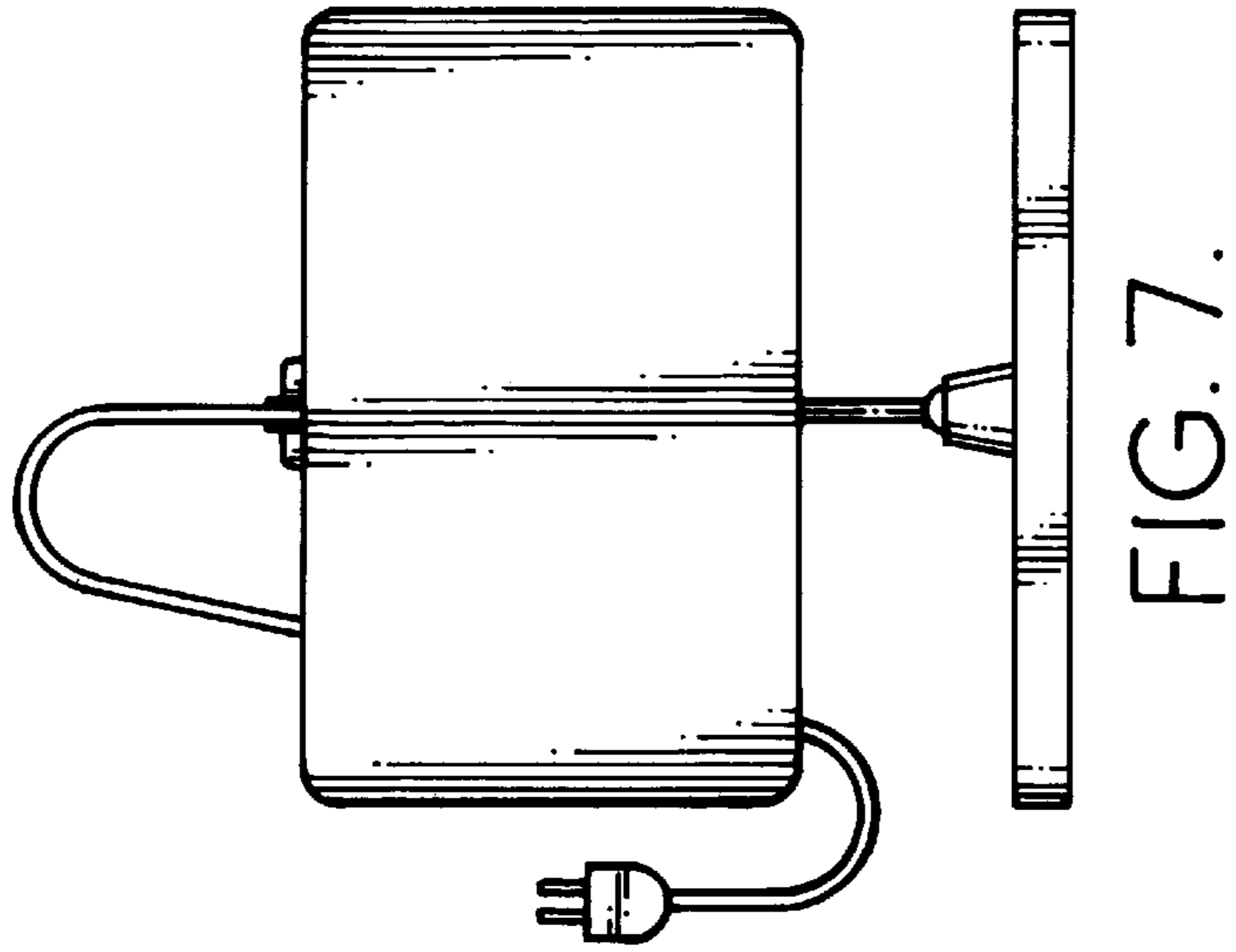
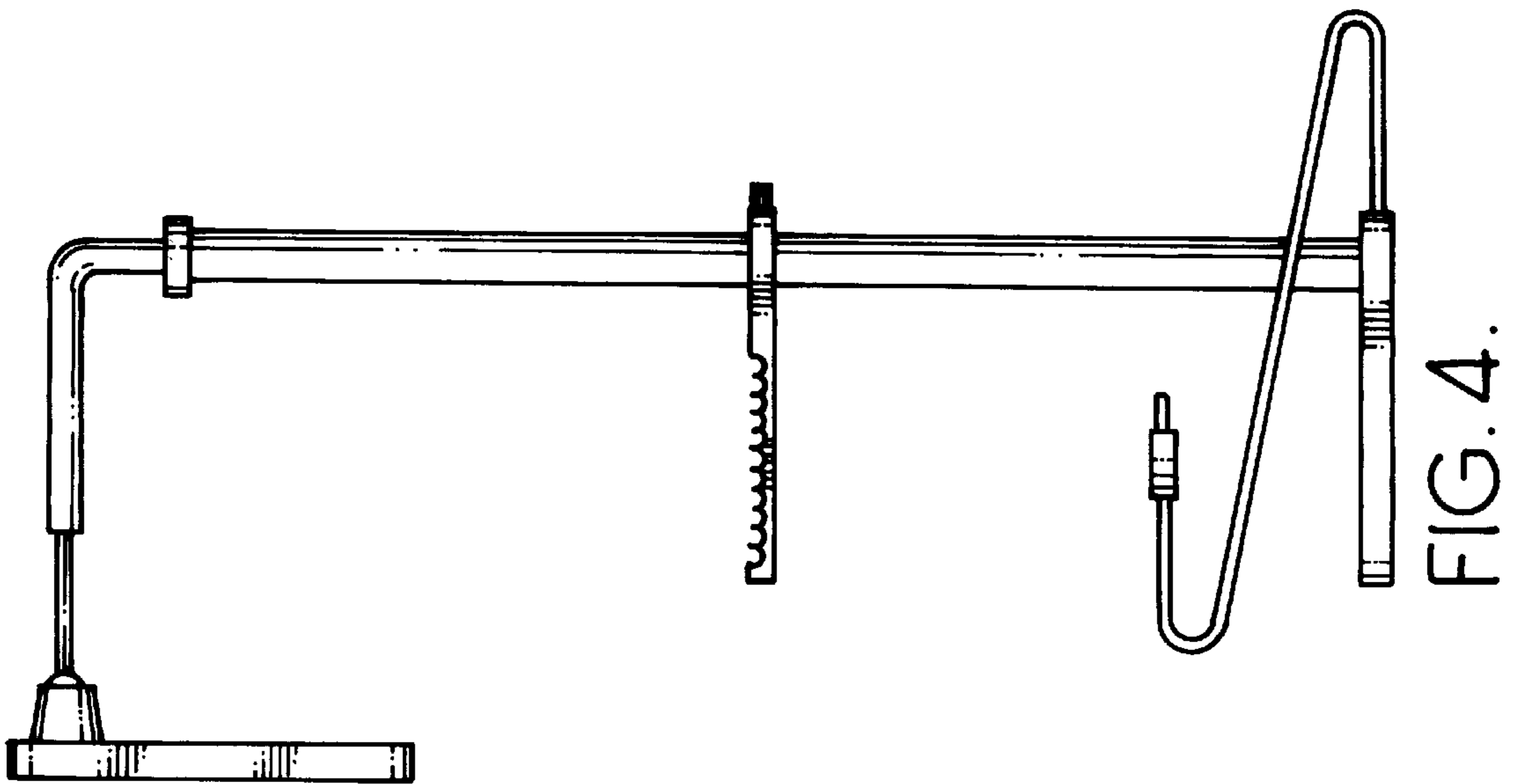


FIG. 2.



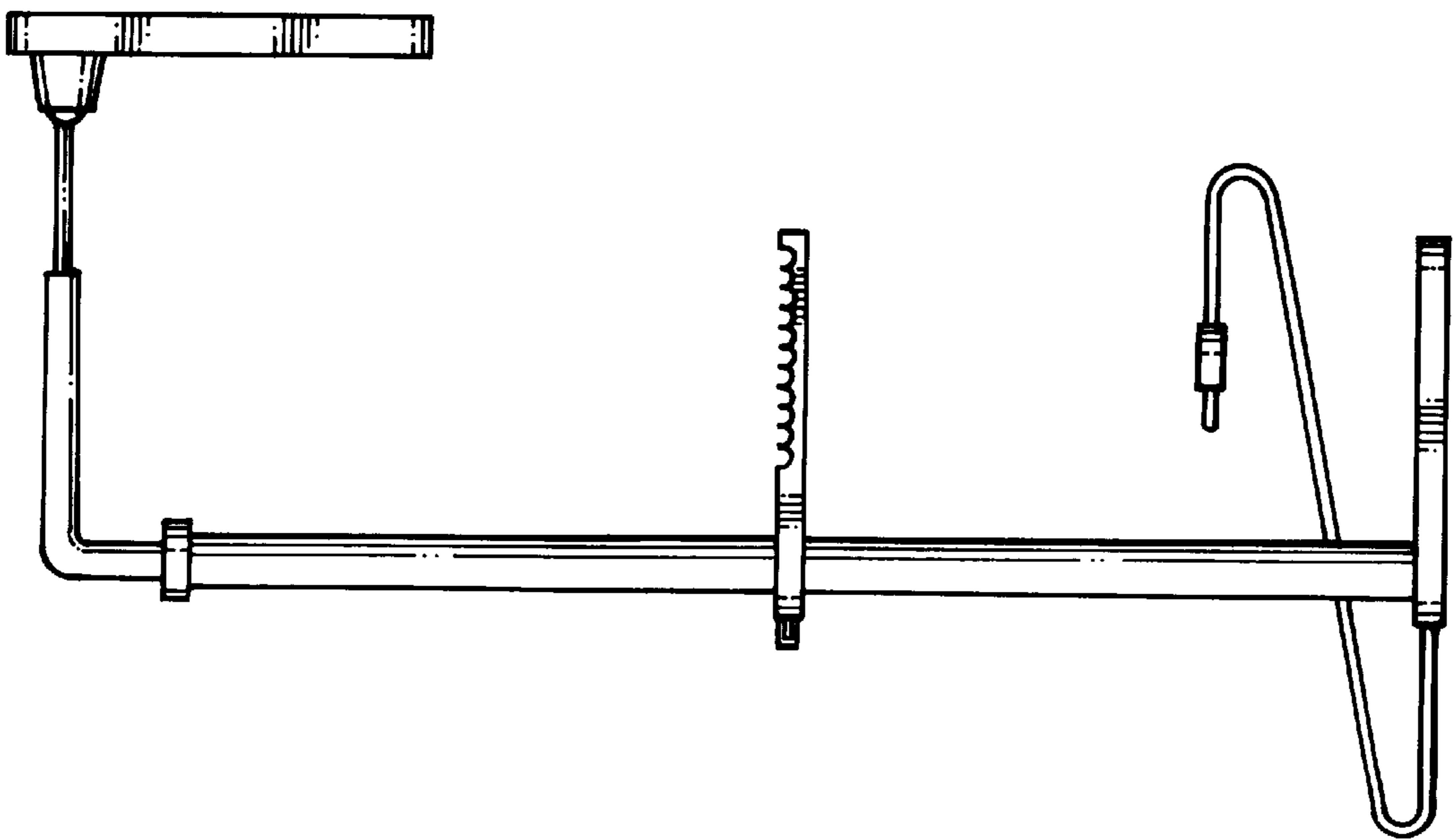


FIG. 5.

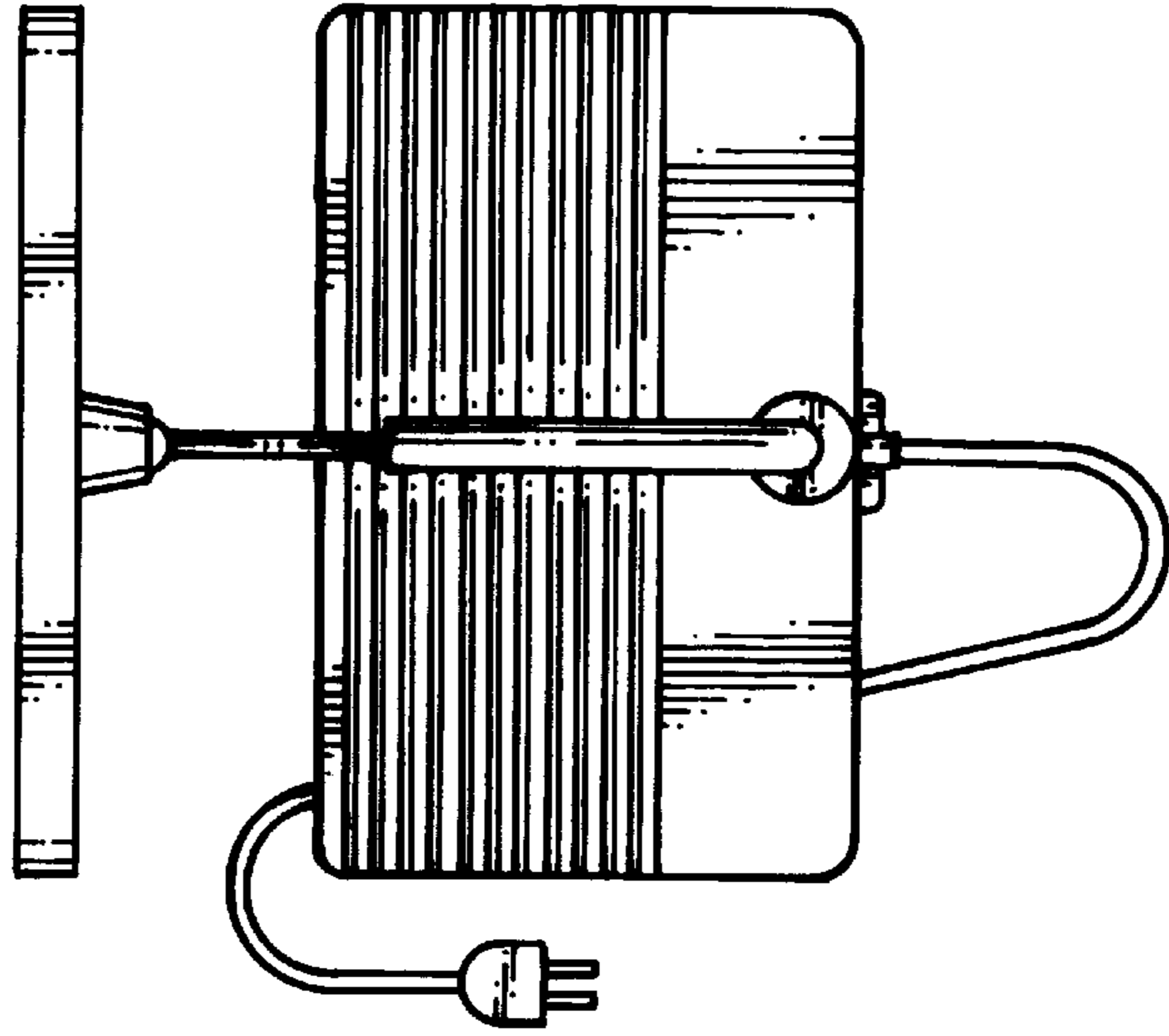


FIG. 6.