



US00D416689S

United States Patent [19]
Camp, Jr.

[11] **Patent Number: Des. 416,689**

[45] **Date of Patent: ** Nov. 23, 1999**

[54] **HANDLE TIP**

[75] Inventor: **William P. Camp, Jr.**, Wooster, Ohio

[73] Assignee: **Rubbermaid Incorporated**, Wooster, Ohio

[**] Term: **14 Years**

[21] Appl. No.: **29/090,718**

[22] Filed: **Jul. 15, 1998**

[51] **LOC (6) Cl.** **04-99**

[52] **U.S. Cl.** **D4/199; D8/107; D32/51**

[58] **Field of Search** 15/143.1, 144.4,
15/145, 202; D8/107; D4/138, 199, 132,
135; D32/50, 51, 52; D13/151

[56] **References Cited**

U.S. PATENT DOCUMENTS

4,541,139	9/1985	Jones et al.	15/145
5,071,489	12/1991	Silvenis et al.	15/143.1
5,161,278	11/1992	Tomm	15/145
5,172,447	12/1992	Tomm	15/145
5,502,862	4/1996	Vosbikian	15/145
5,791,006	8/1998	Anctil	15/144.4

Primary Examiner—Alan P. Douglas
Assistant Examiner—Reid Hecker
Attorney, Agent, or Firm—Richard B. O’Planick

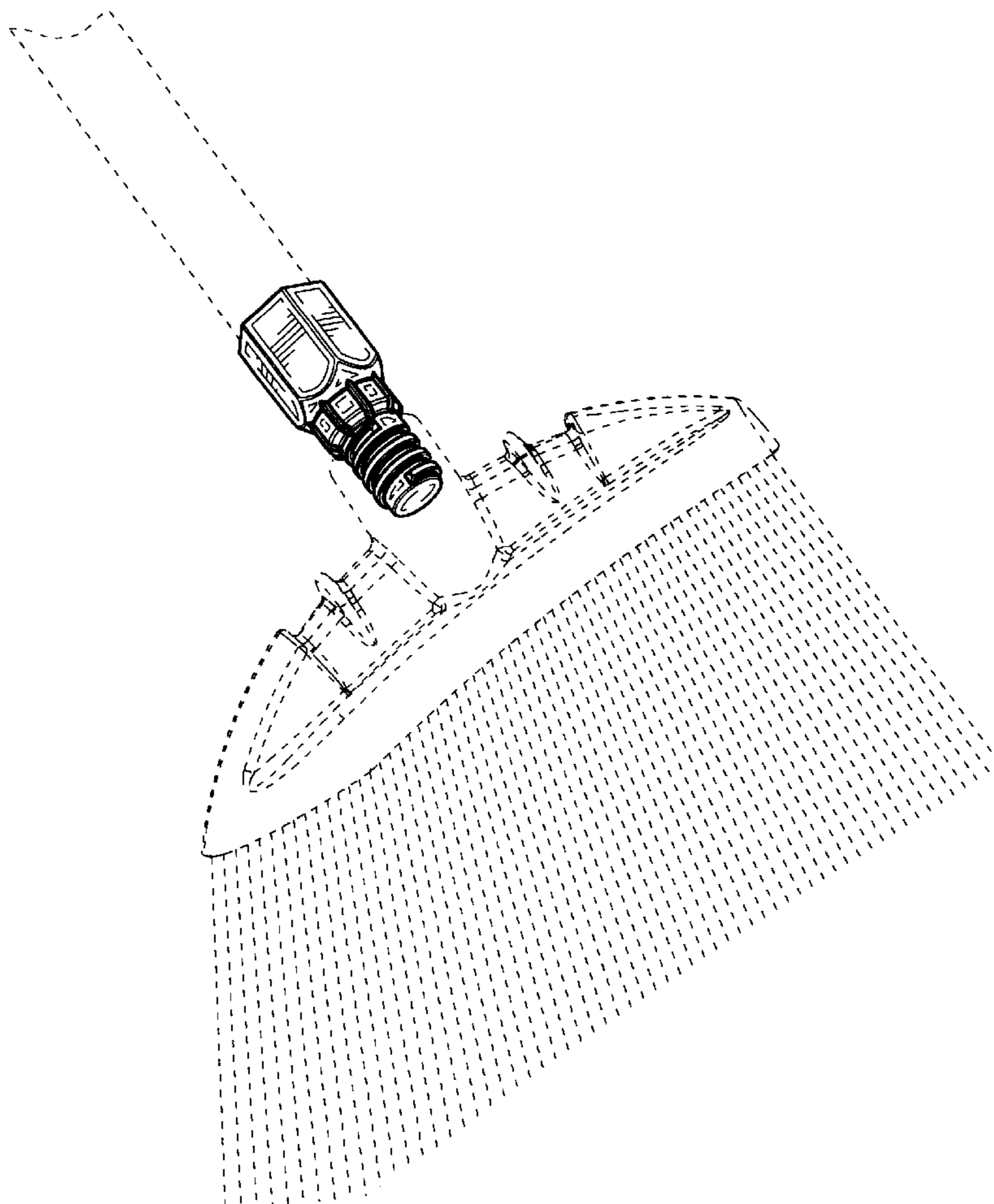
[57] **CLAIM**

The ornamental design for a handle tip, as shown and described.

DESCRIPTION

FIG. 1 is a bottom front perspective view of a handle tip showing my new design;
FIG. 2 is a front elevational view thereof;
FIG. 3 is a bottom plan view thereof;
FIG. 4 is a right side elevational view thereof;
FIG. 5 is a left side elevational view thereof;
FIG. 6 is a top plan view thereof;
FIG. 7 is a rear elevational view thereof; and,
FIG. 8 is a top front perspective view, in reduced scale, showing my new design as it would be used with a broom and broom handle. The broken line drawings of a broom and broom handle are for illustrative purposes only and form no part of the claimed design.
The interior of the handle tip that would be visible in FIG. 6 forms no part of the claimed design;

1 Claim, 3 Drawing Sheets



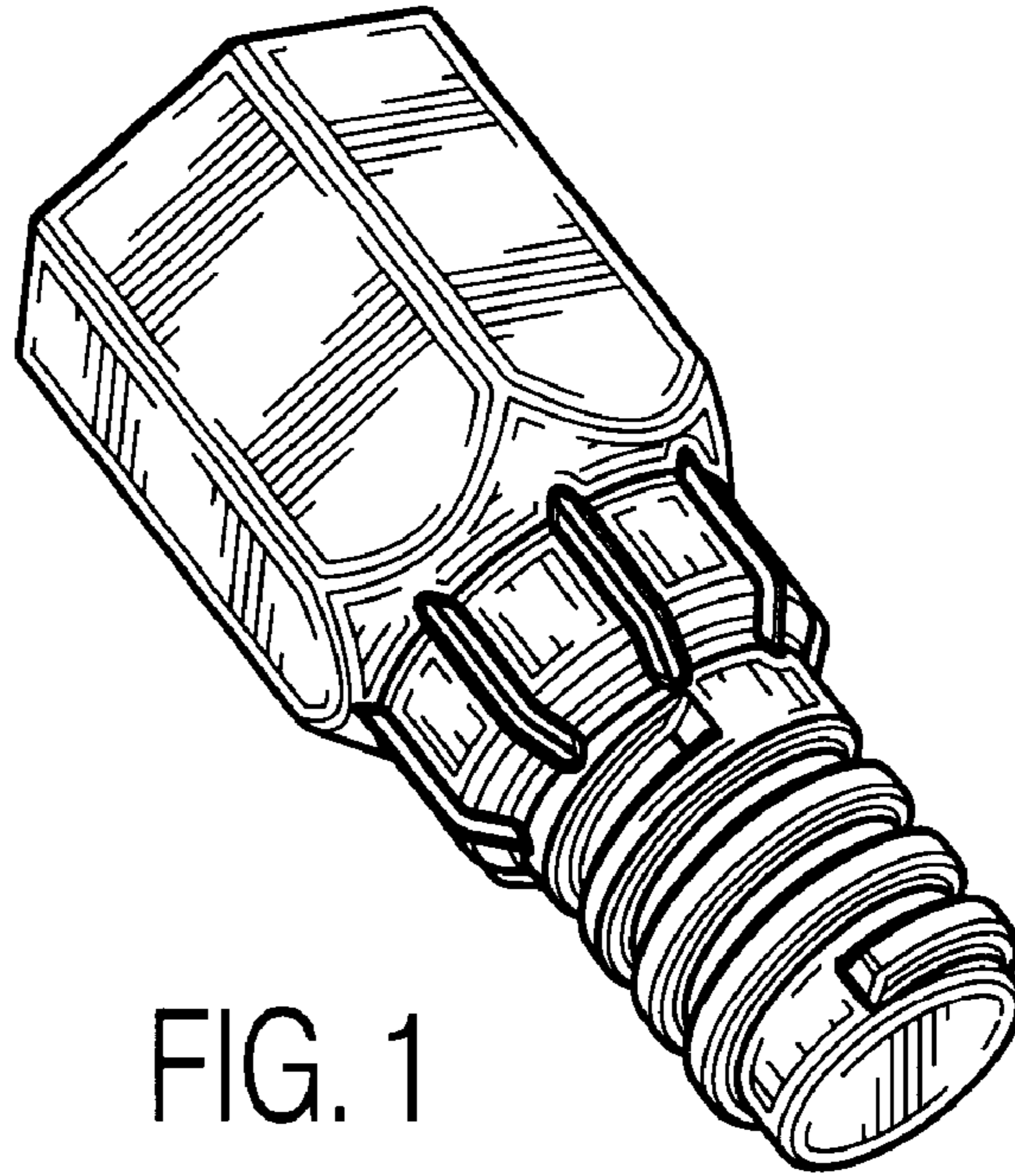


FIG. 1

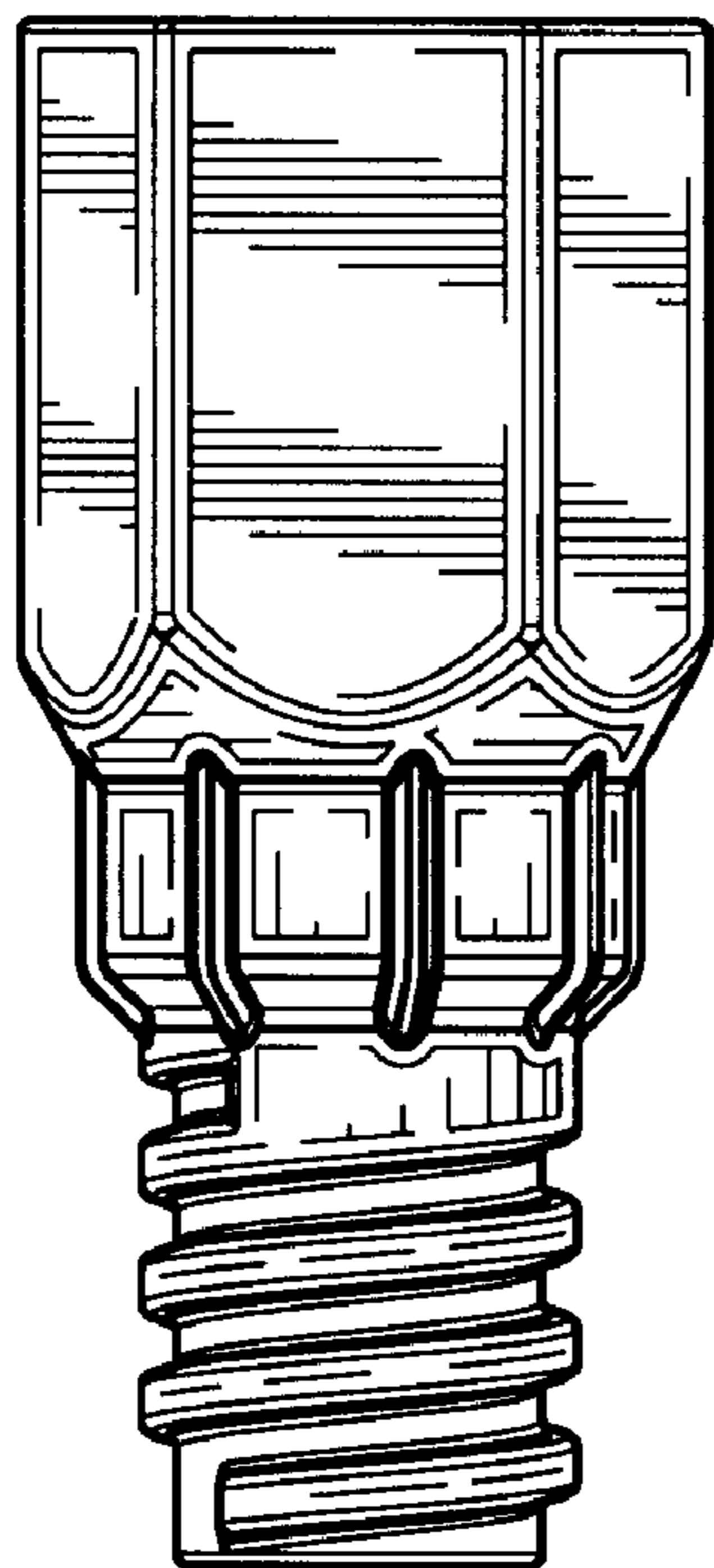


FIG. 2

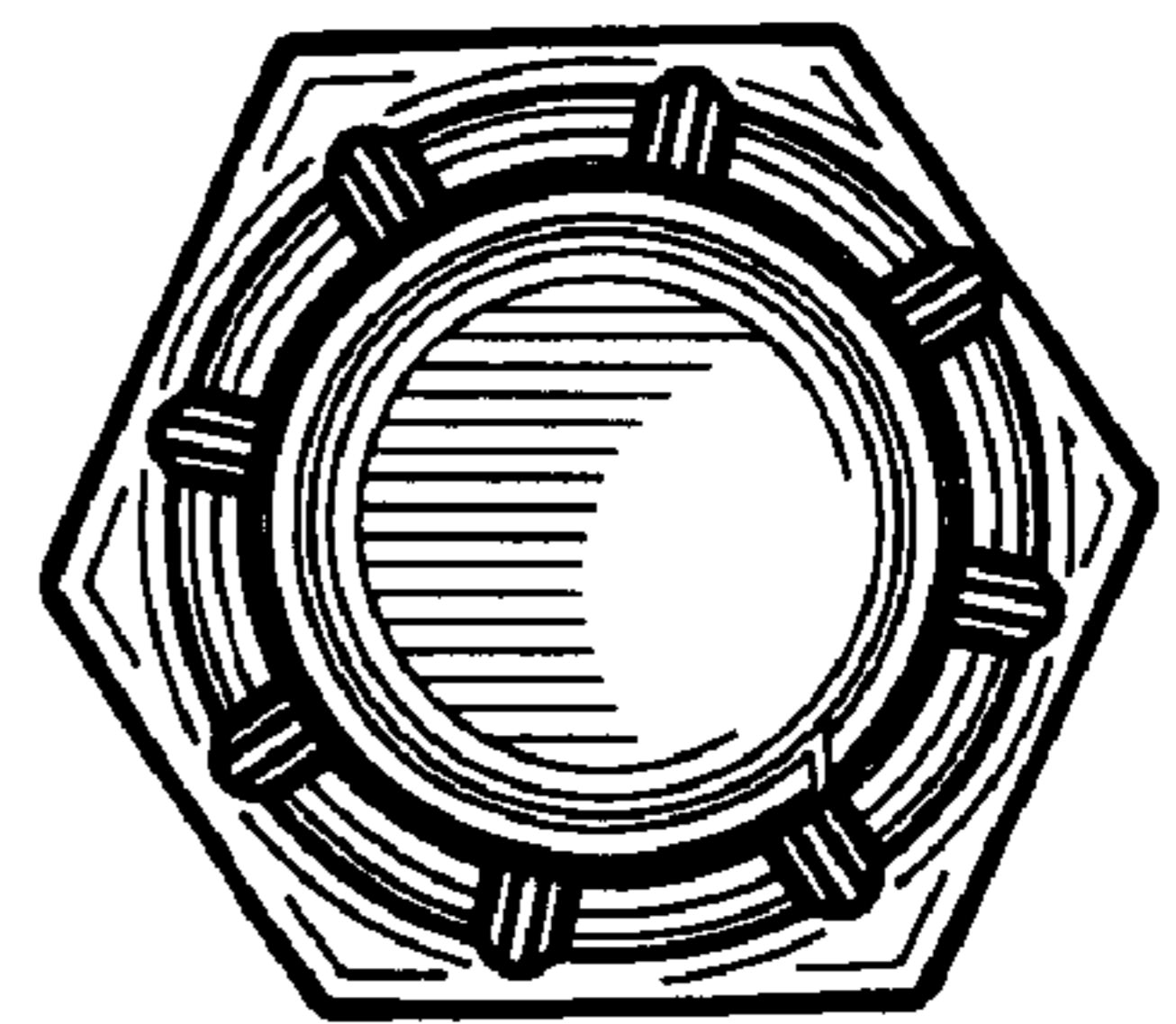


FIG. 3

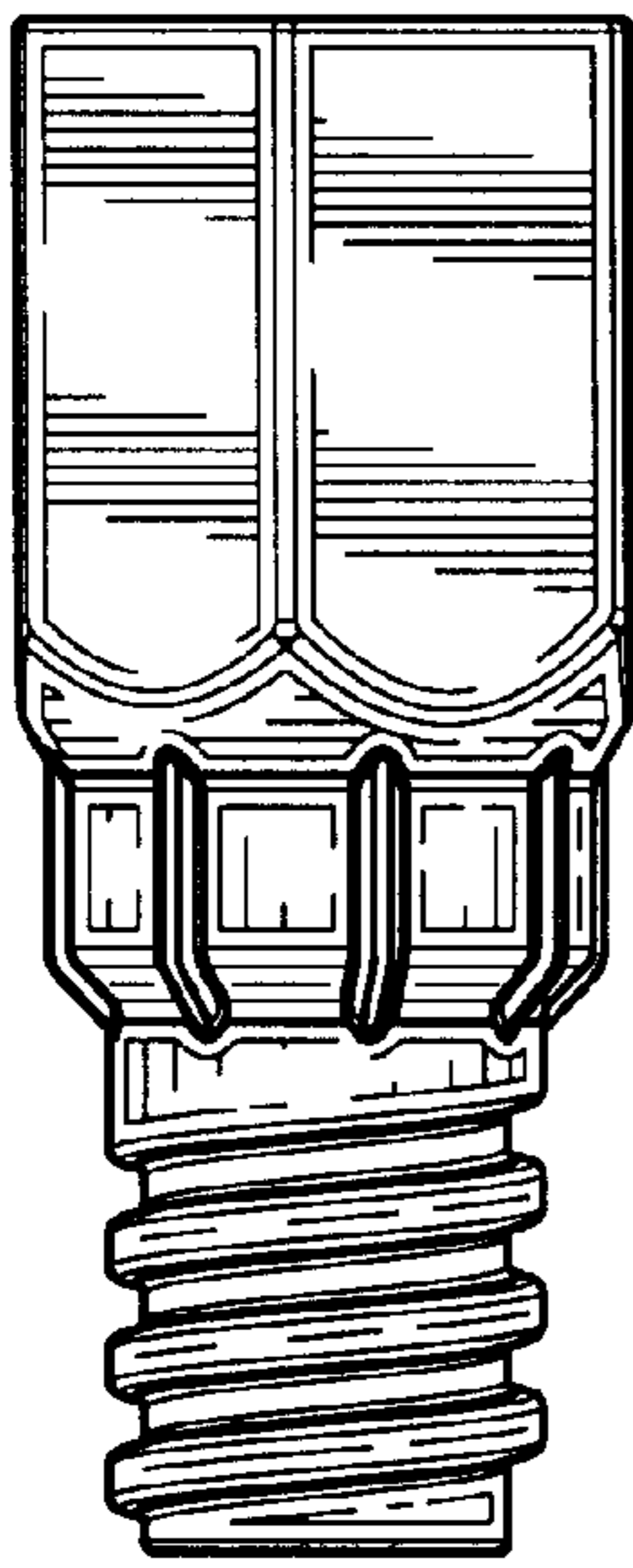


FIG. 4

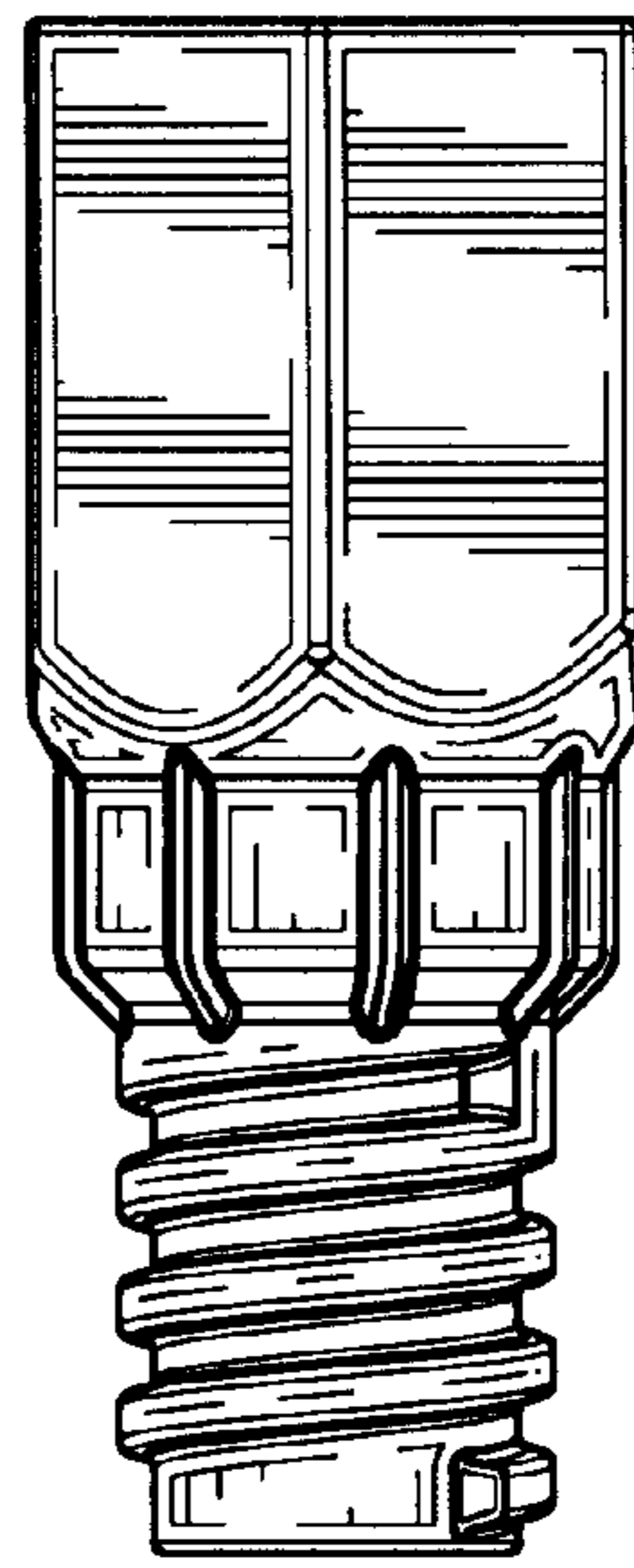


FIG. 5

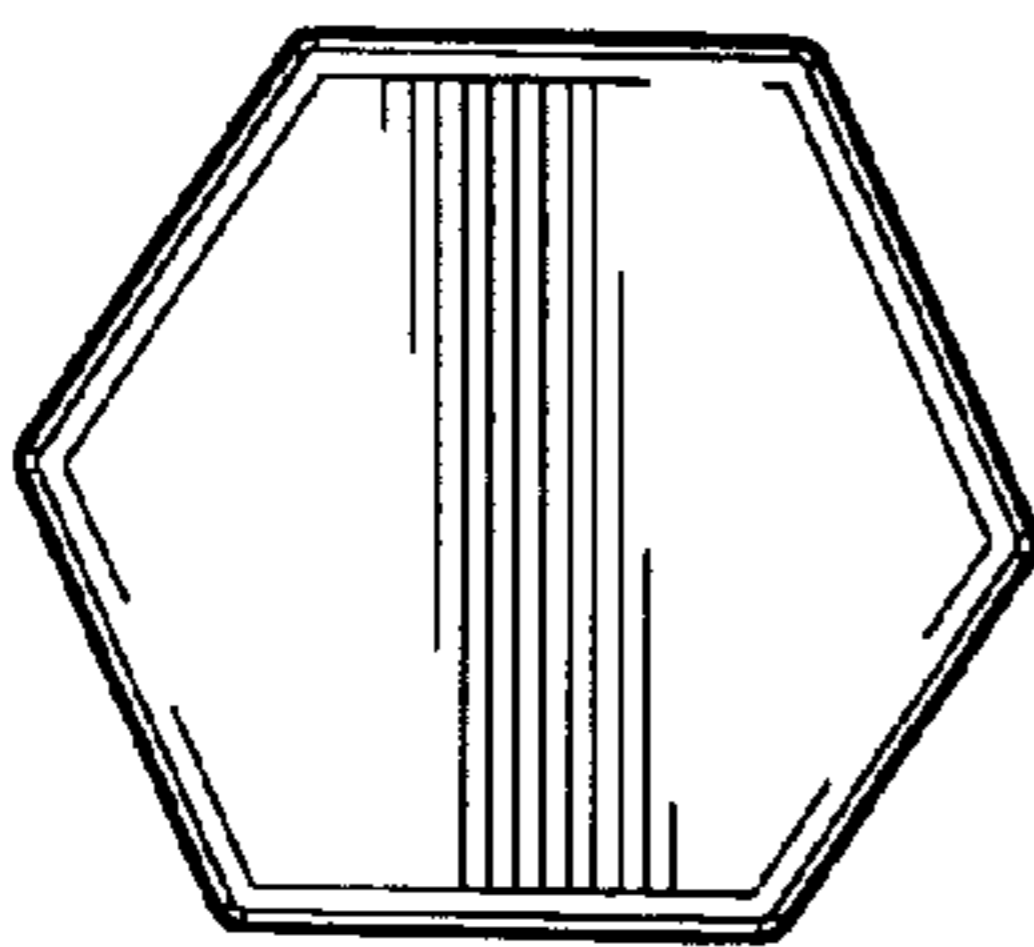


FIG. 6

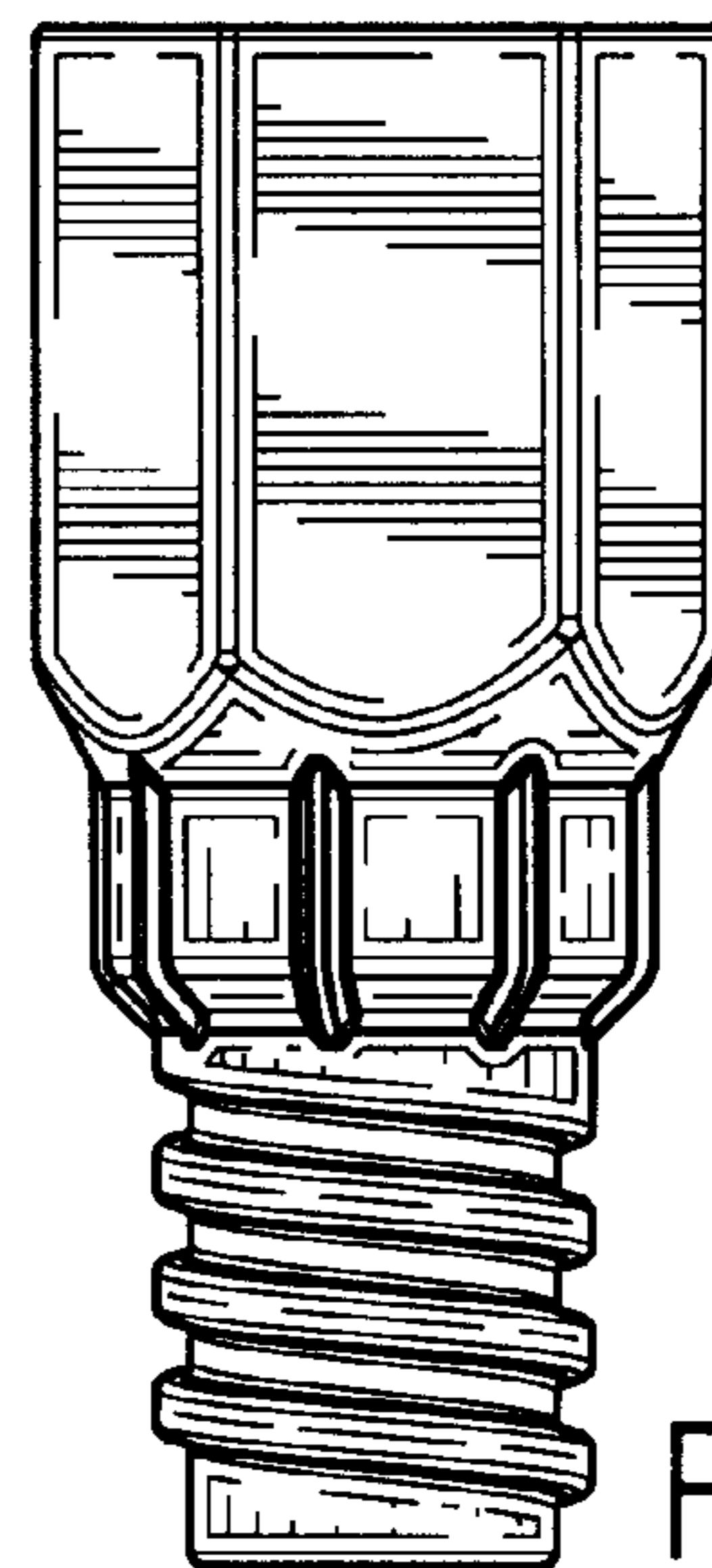


FIG. 7

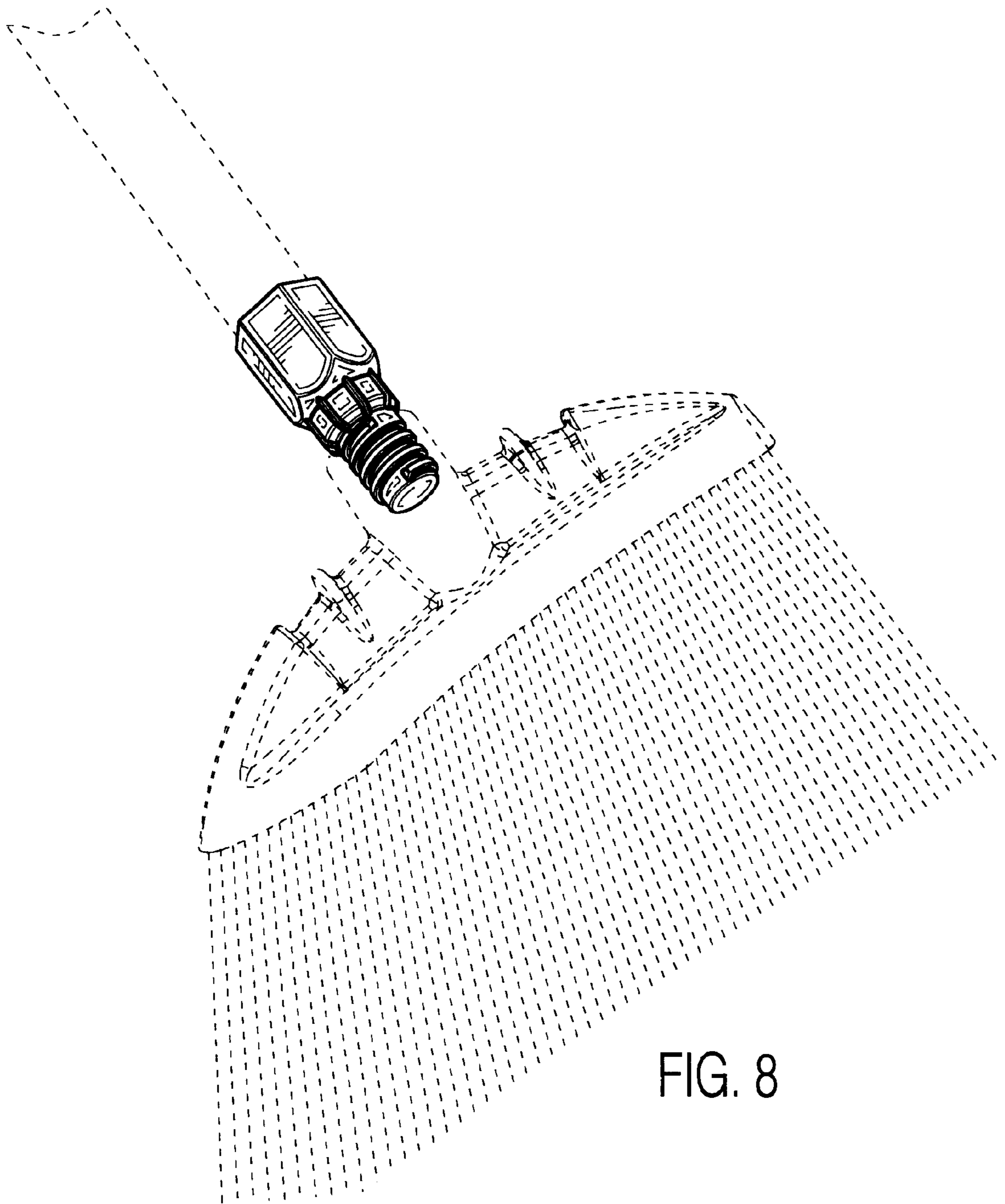


FIG. 8