



US00D416684S

United States Patent [19]
Nykoluk

[11] **Patent Number: Des. 416,684**

[45] **Date of Patent: ** Nov. 23, 1999**

[54] **PAIR OF INTEGRATED FOOT AND EDGE GUARDS FOR CARRYING CASE**

[75] Inventor: **Cory O. Nykoluk**, San Jose, Calif.

[73] Assignee: **Mainland Marketing, Inc.**, Half Moon Bay, Calif.

[**] Term: **14 Years**

[21] Appl. No.: **29/088,740**

[22] Filed: **May 28, 1998**

[51] **LOC (6) Cl.** **03-99**

[52] **U.S. Cl.** **D3/321**

[58] **Field of Search** D3/279, 282, 301,
D3/321, 272, 273; 190/18 R, 18 A, 124,
127; 206/280

[56] **References Cited**

U.S. PATENT DOCUMENTS

842,135	2/1907	Kuhsiek	190/18 R
4,163,484	8/1979	Delaney	190/18 R
5,575,362	11/1996	Franklin et al.	190/18 A
5,749,446	5/1998	Hsieh	190/18 A

Primary Examiner—Louis S. Zarfes

Assistant Examiner—Robert A. Delehanty

Attorney, Agent, or Firm—Flehr Hohbach Test Albritton & Herbert LLP

[57] **CLAIM**

The ornamental design for a pair of integrated foot and edge guards for carrying case, as shown and described.

DESCRIPTION

FIG. 1 is a perspective view of a carrying case, in a layed

down position, having a left and right pair of integrated foot and edge guards of my design mounted to the bottom of the carrying case.

FIG. 2 is a front elevational view of the left integrated foot and edge guard for carrying case shown in FIG. 1.

FIG. 3 is a rear elevational view of the left integrated foot and edge guard for carrying case shown in FIG. 1.

FIG. 4 is a first or left side elevational view of the left integrated foot and edge guard for carrying case shown in FIG. 1.

FIG. 5 is a second or right side elevational view of the left integrated foot and edge guard for carrying case shown in FIG. 1.

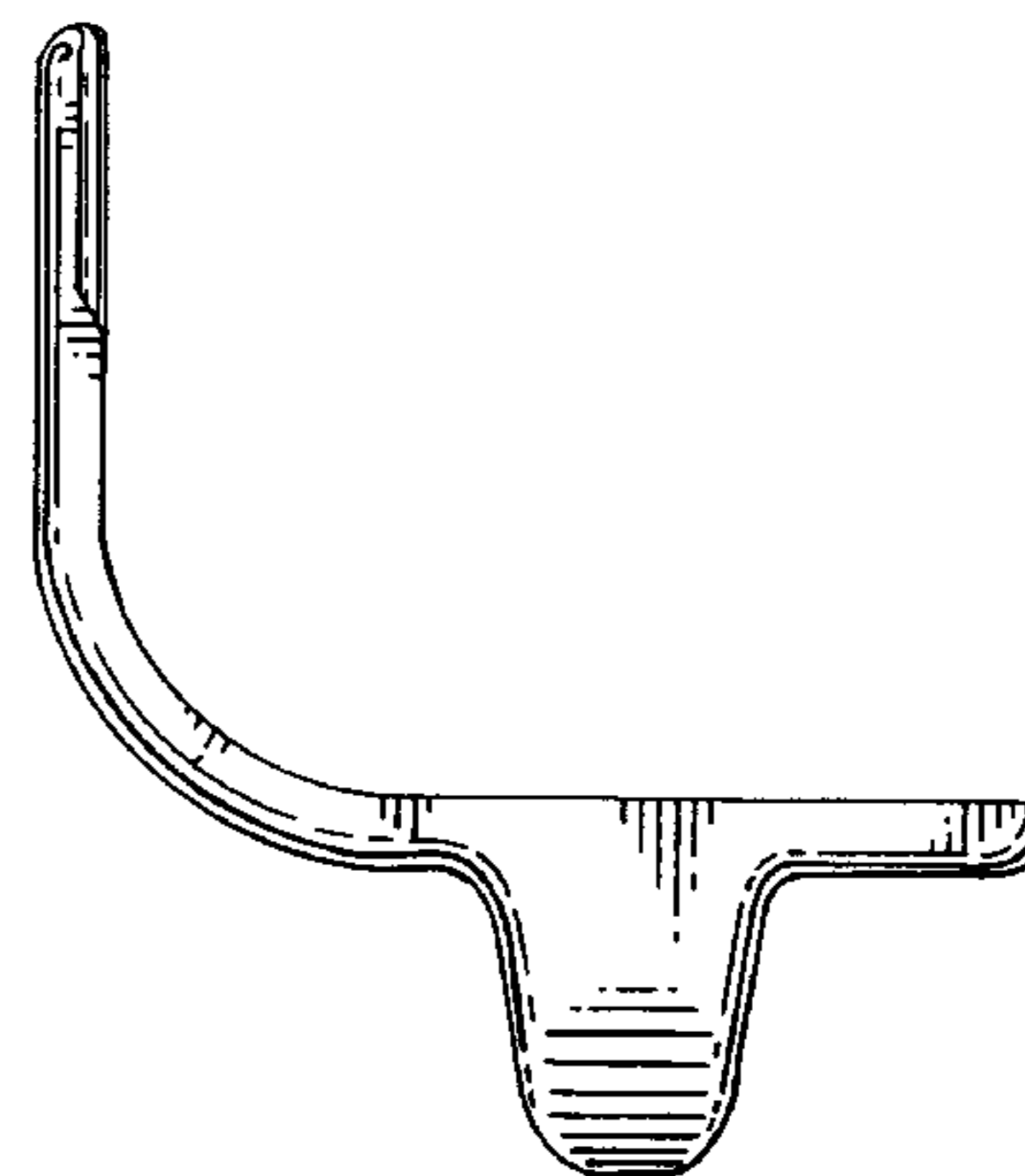
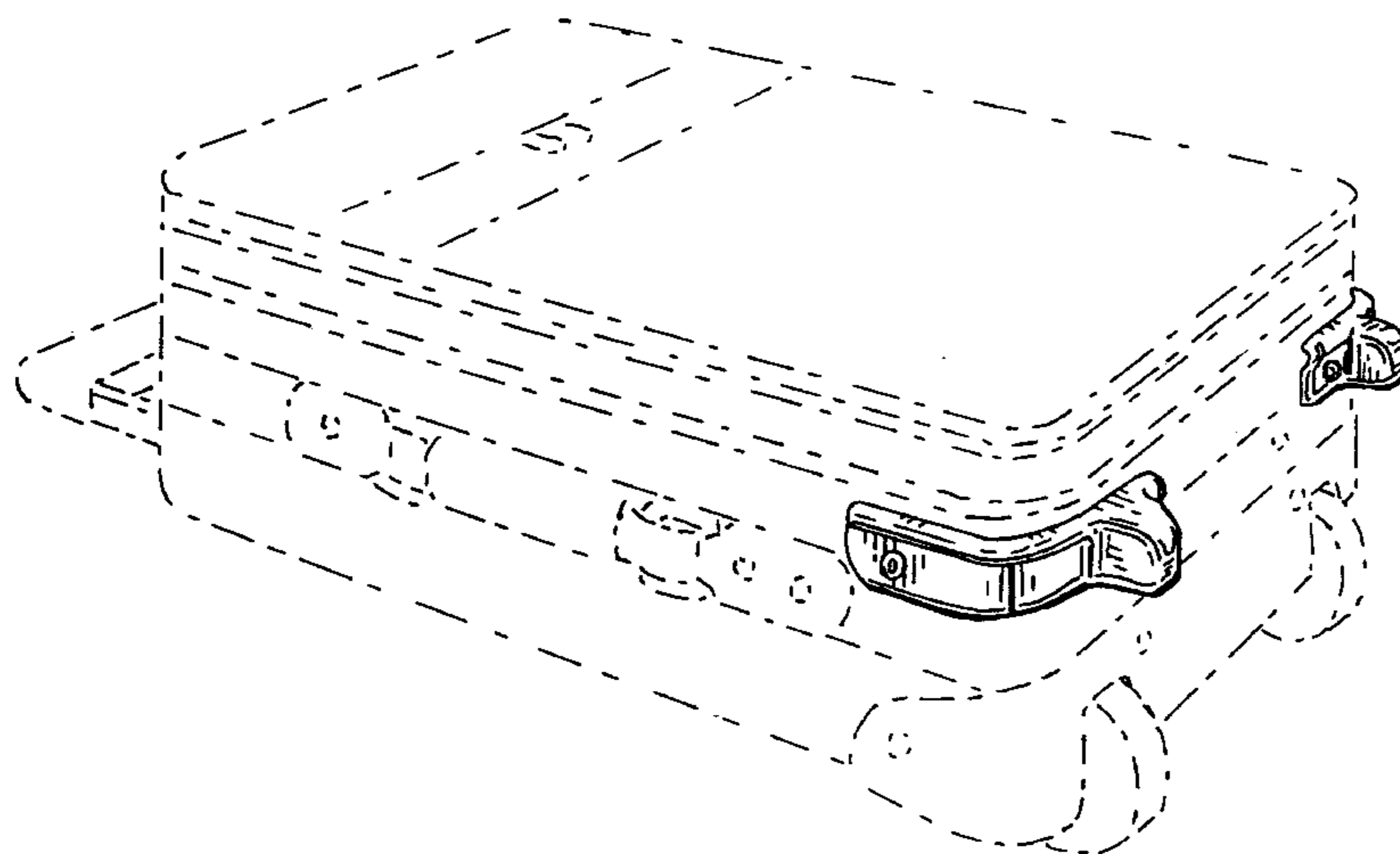
FIG. 6 is a top plan view of the left integrated foot and edge guard for carrying case shown in FIG. 1; and,

FIG. 7 is a bottom plan view of the left integrated foot and edge guard for carrying case shown in FIG. 1.

It being understood that the front, rear, sides, top and bottom views of the right integrated foot and edge guard are a mirror image of the left integrated foot and edge guard as shown in FIGS. 2 through 7.

The broken line showing of a carrying case is for illustrative purposes only and forms no part of the claimed design.

1 Claim, 2 Drawing Sheets



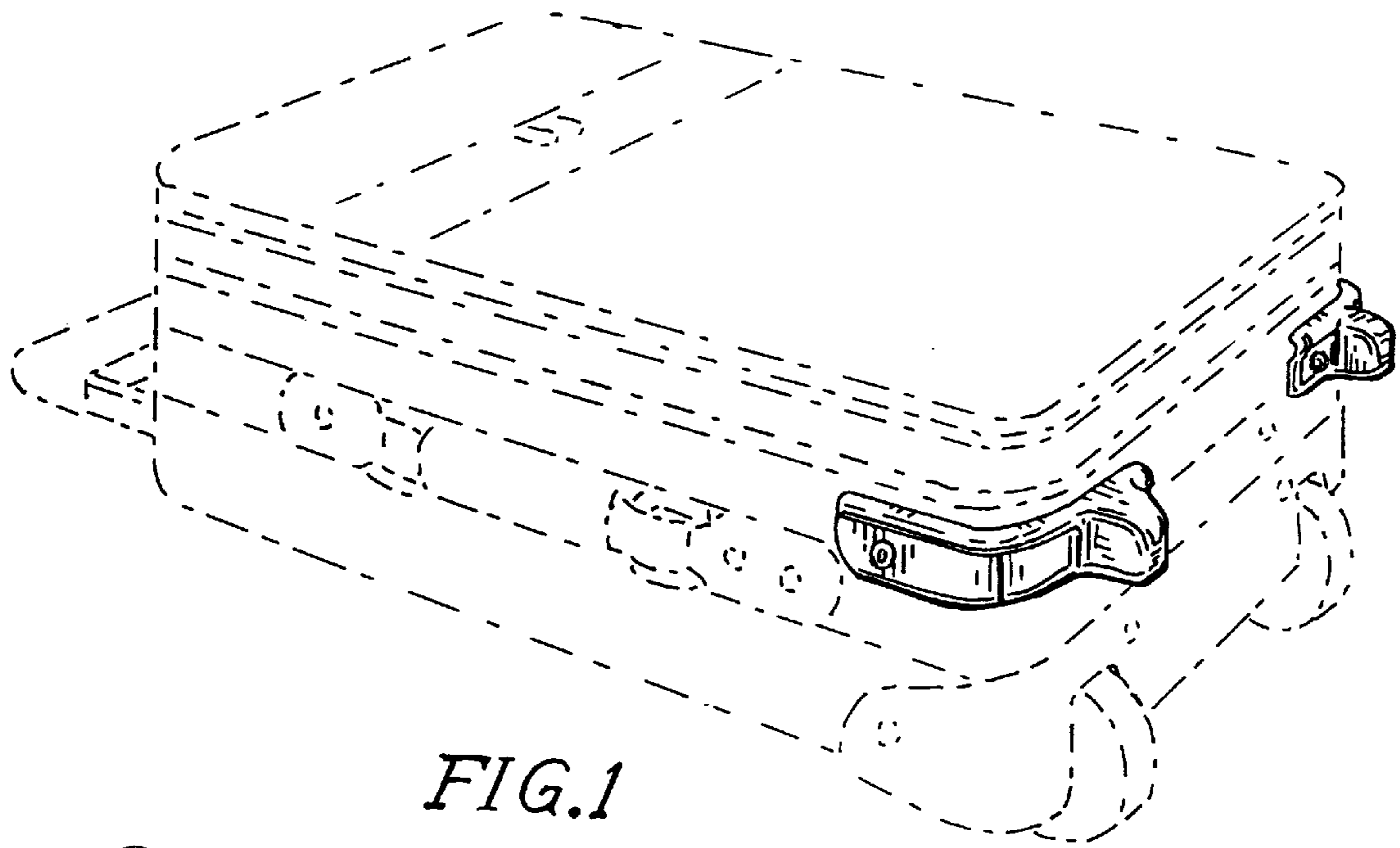


FIG. 1

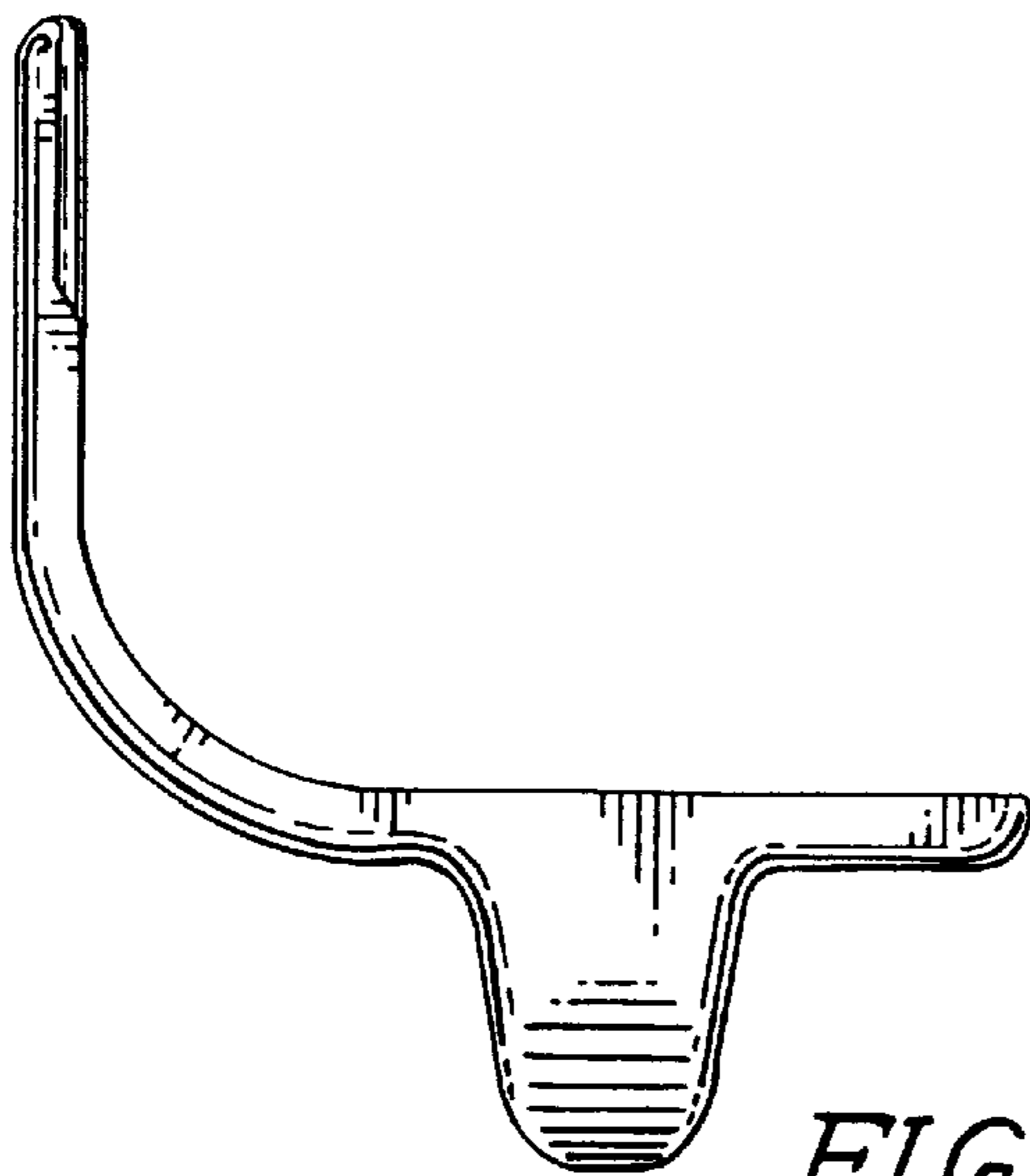


FIG. 2

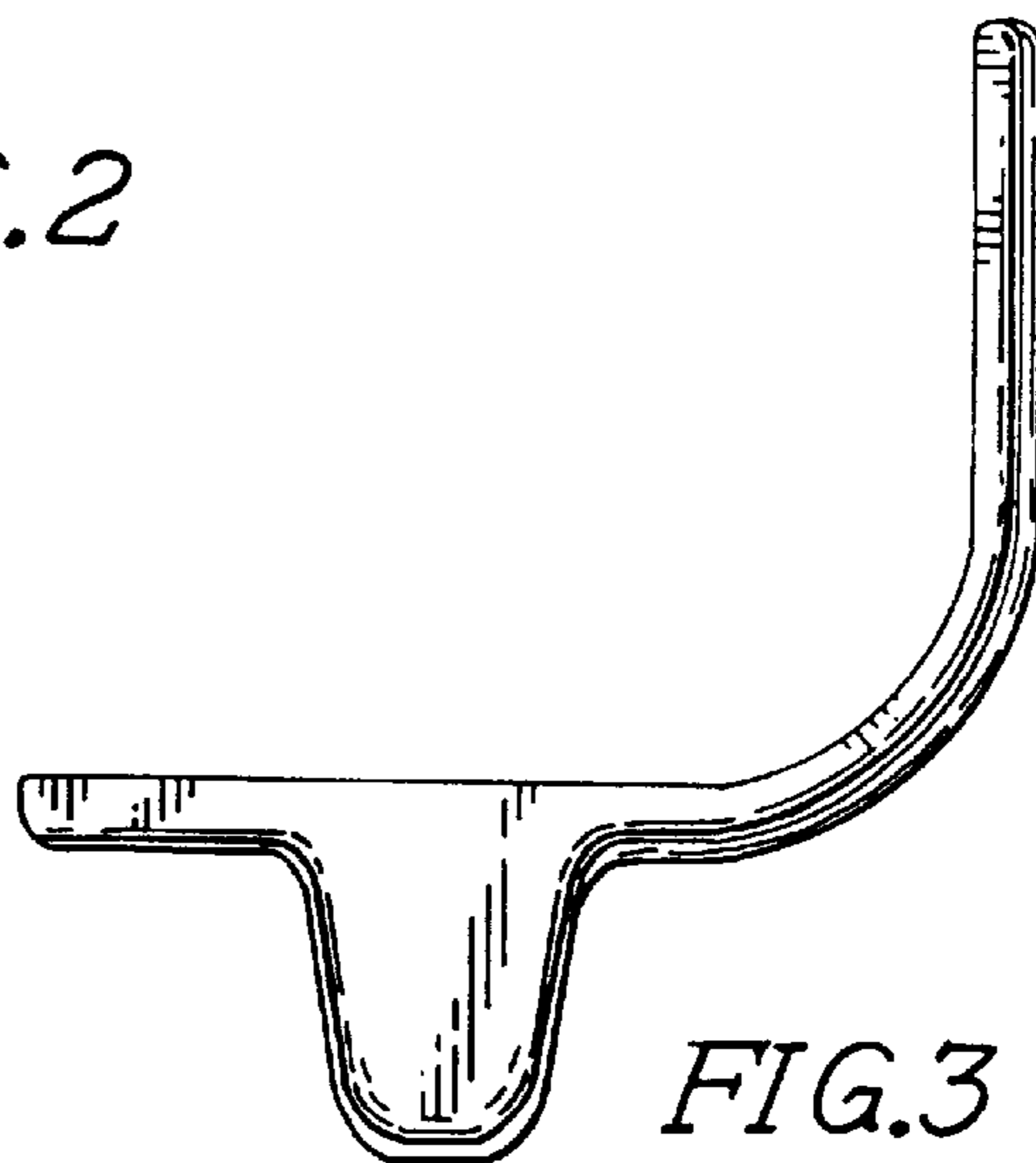


FIG. 3

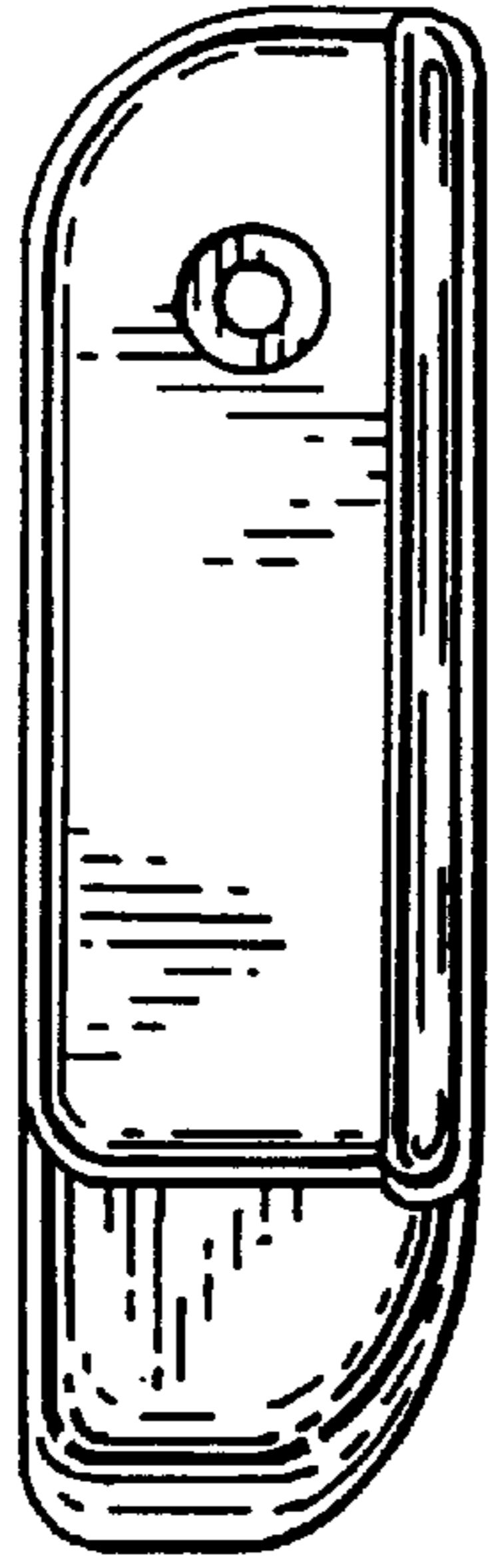


FIG. 4

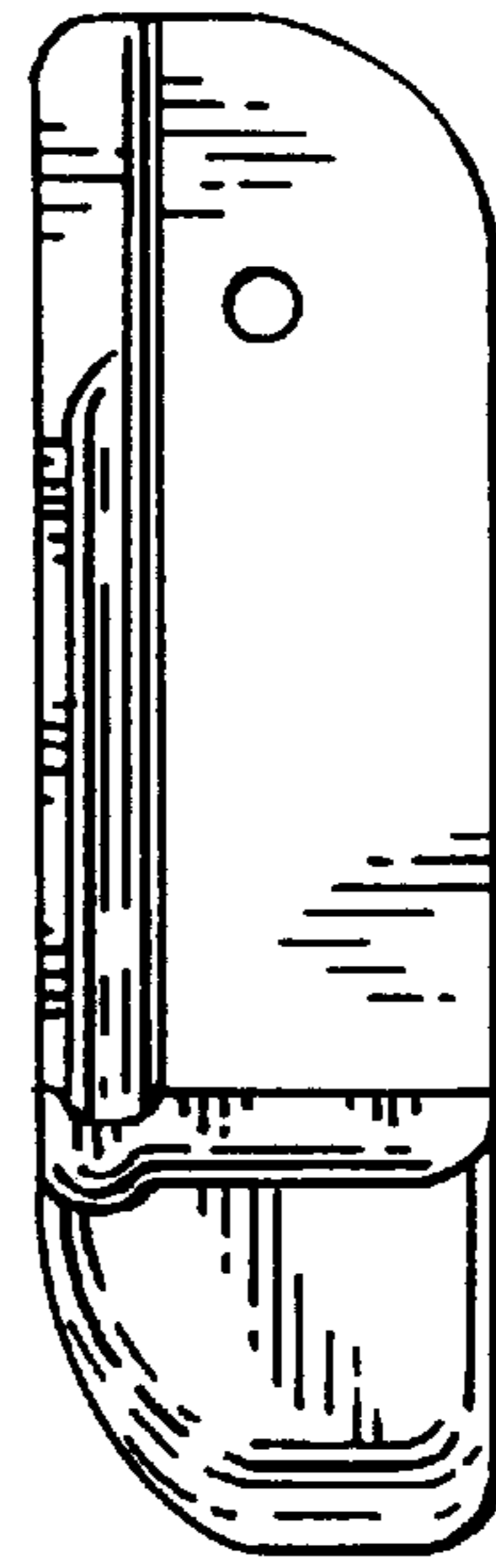


FIG. 5

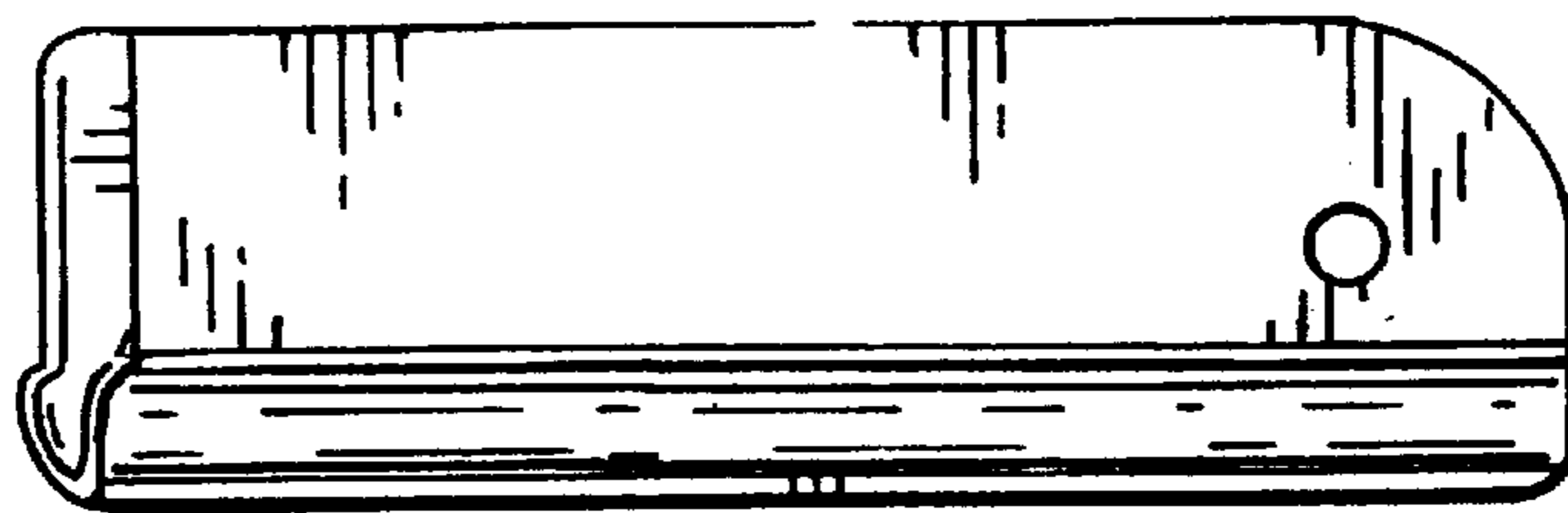


FIG. 6

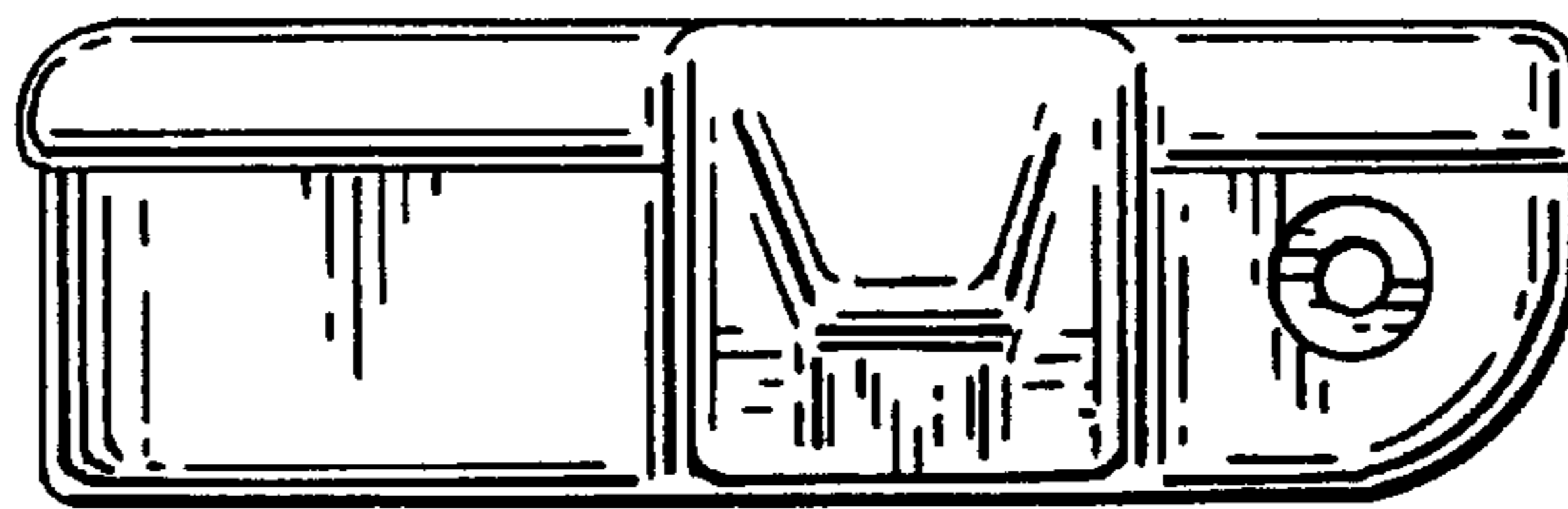


FIG. 7