



US00D416678S

United States Patent [19]
Kurtz et al.

[11] **Patent Number: Des. 416,678**
[45] **Date of Patent: ** Nov. 23, 1999**

[54] **GOLF TRAVEL CASE**

[76] Inventors: **Richard D. Kurtz**, 1280 Sunset Rd.,
Ann Arbor, Mich. 48103; **Martin S. Farese**, 18 Shrewsbury La., Rumson,
N.J. 07760

[**] Term: **14 Years**

5,002,185 3/1991 Schurman .
5,168,992 12/1992 Bowdy .
5,333,731 8/1994 McCuaig .
5,415,284 5/1995 King .
5,544,743 8/1996 Hong .
5,582,290 12/1996 McCuaig et al. .
5,699,906 12/1997 Lombardo et al. .
5,769,220 6/1998 Hong .

[21] Appl. No.: **29/102,378**

[22] Filed: **Mar. 24, 1999**

[51] **LOC (6) Cl.** **03-01**

[52] **U.S. Cl.** **D3/255**

[58] **Field of Search** D3/255, 254, 204,
D3/262, 261, 279, 282, 276, 904; 206/315.2-315.8

[56] **References Cited**

U.S. PATENT DOCUMENTS

- D. 374,986 10/1996 Dages D3/255 X
- D. 384,807 10/1997 Dougherty D3/204
- D. 394,950 6/1998 Kite D3/255
- D. 398,149 9/1998 Sanderson et al. D3/255
- 1,189,879 7/1916 Shamberg .
- 1,325,692 12/1919 Cross .
- 1,437,349 11/1922 Moore, Jr. .
- 1,442,906 1/1923 Rawlings et al. .
- 1,636,194 7/1927 Mullins .
- 2,010,166 8/1935 Thompson .
- 2,023,792 12/1935 Sampson .
- 2,047,079 7/1936 MacMurray .
- 2,837,346 6/1958 Chambless .
- 3,530,919 9/1970 May .
- 4,767,001 8/1988 Kim .
- 4,858,761 8/1989 Fumia .
- 4,905,827 3/1990 Kim .

OTHER PUBLICATIONS

Edwin Watts Golf Shops, Travel Cases and Covers, 1997, p. 56, Jun. 3, 1999.

Bass Pro Shops Hunting, Gun Cases, 1992, p. 149, Jun. 3, 1999.

Primary Examiner—Louis S. Zarfes
Assistant Examiner—Catherine R. Oliver
Attorney, Agent, or Firm—MacMillan, Sobanski & Todd, LLC

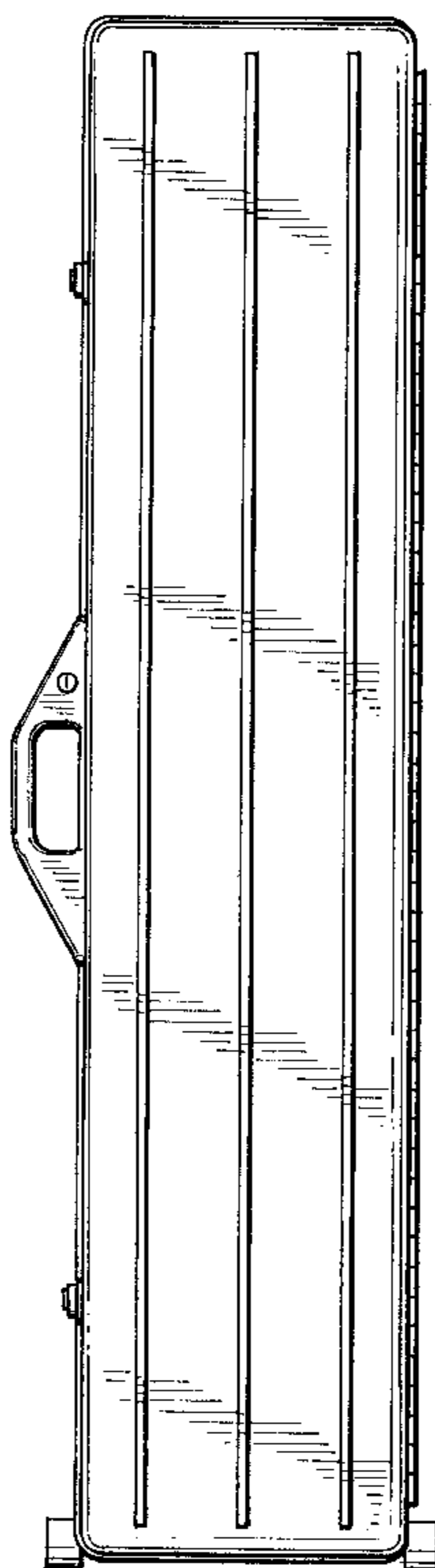
[57] **CLAIM**

The ornamental design for a golf travel case, as shown.

DESCRIPTION

FIG. 1 is a front elevational view of the golf travel case of the present invention in a closed position;
FIG. 2 is a left side elevational view thereof;
FIG. 3 is a right side elevational view thereof;
FIG. 4 is a rear elevational view thereof;
FIG. 5 is a top plan view thereof;
FIG. 6 is a bottom plan view thereof; and,
FIG. 7 is an elevational view of the golf travel case of the present invention in an open position showing the interior thereof.

1 Claim, 3 Drawing Sheets



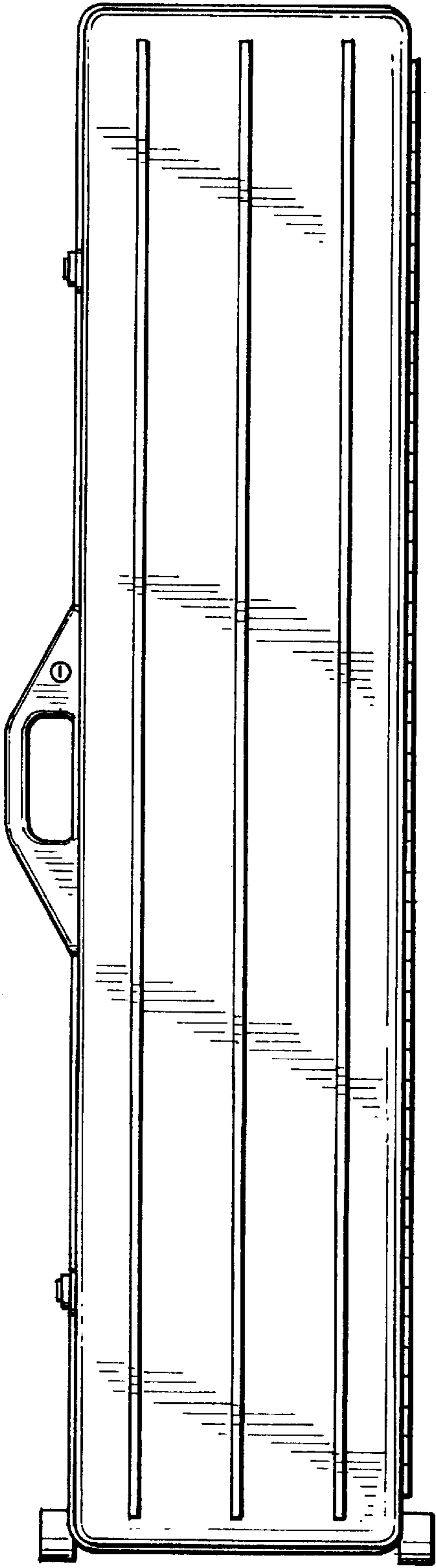


FIG. 1

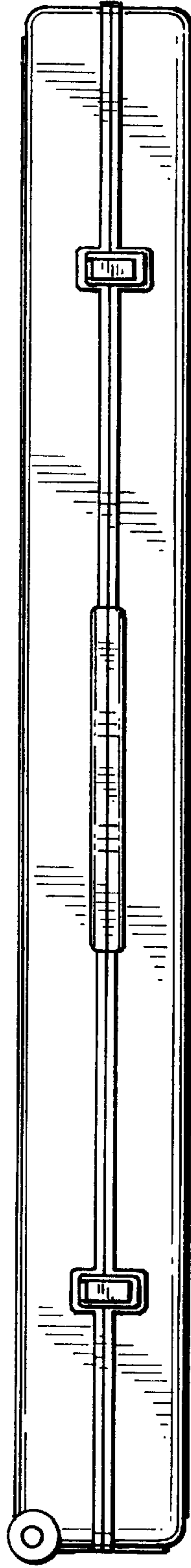


FIG. 2

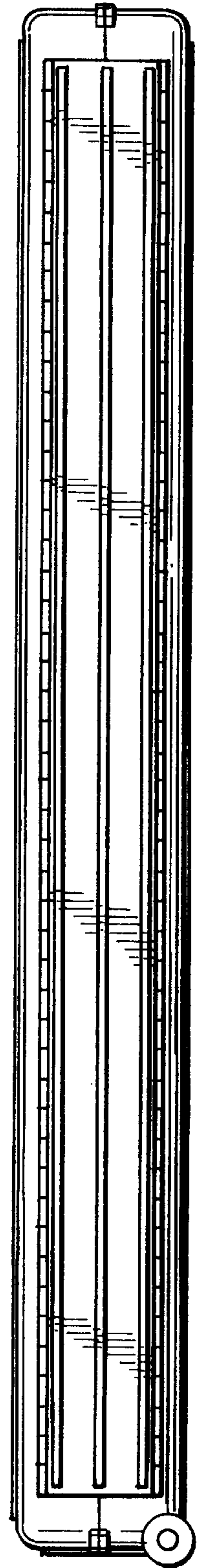


FIG. 3

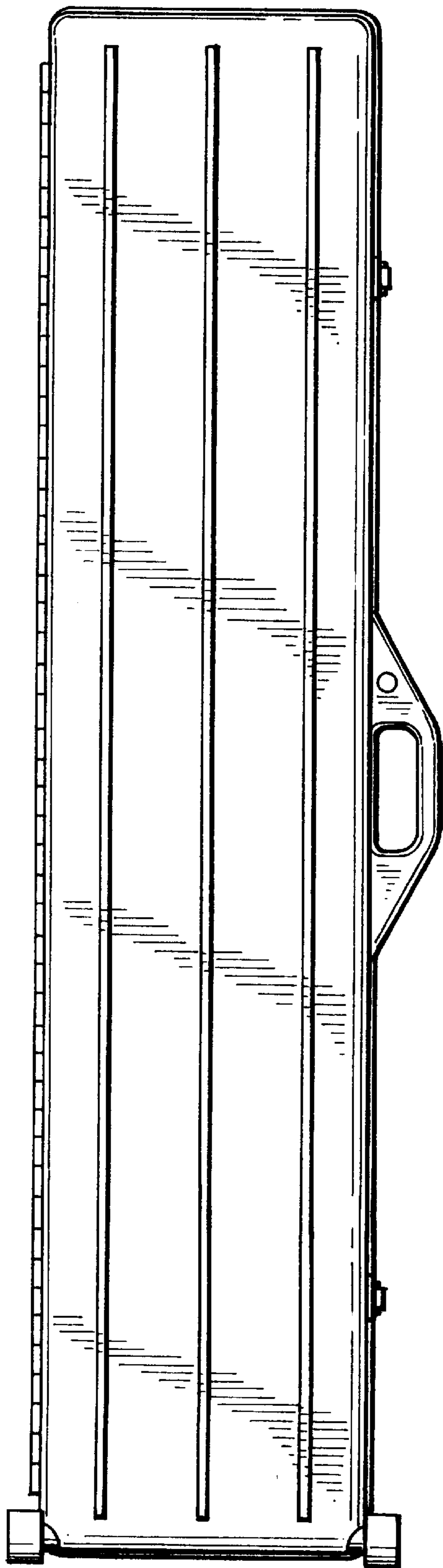


FIG. 4

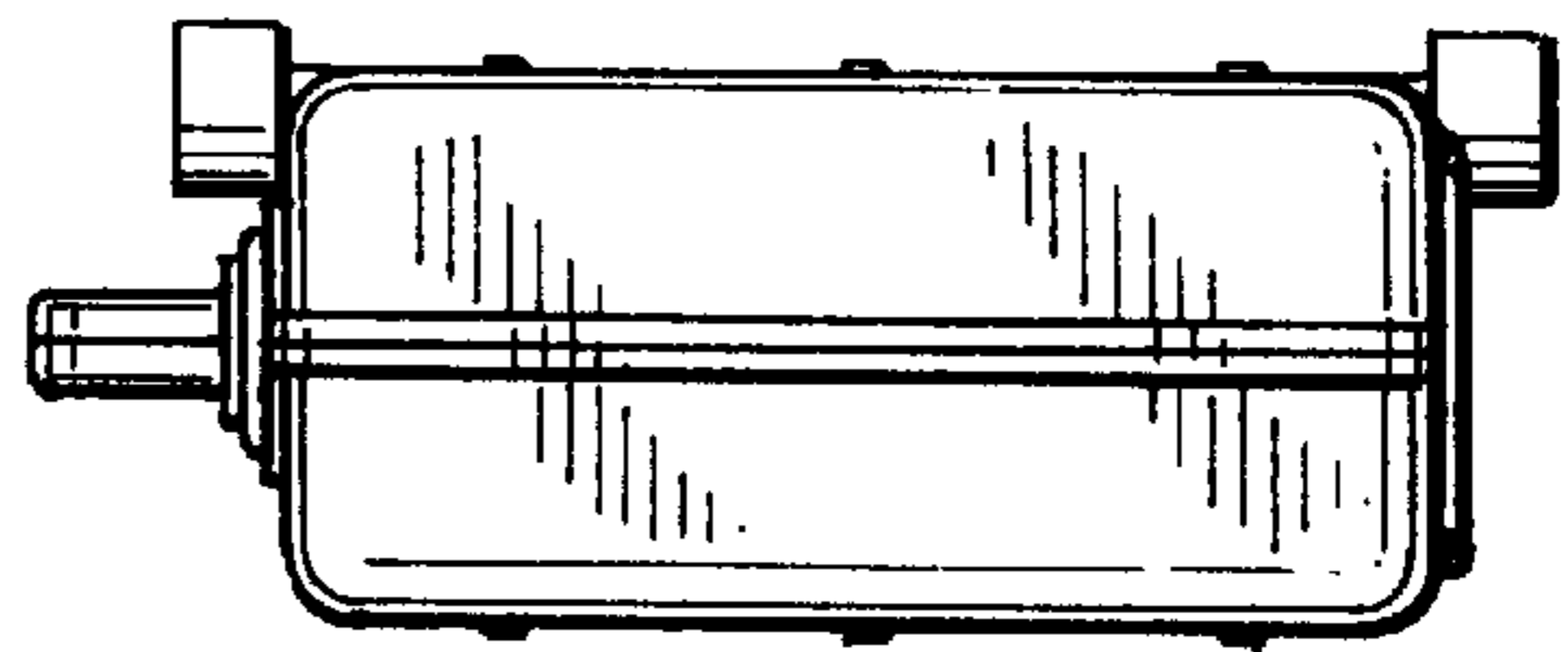


FIG. 5

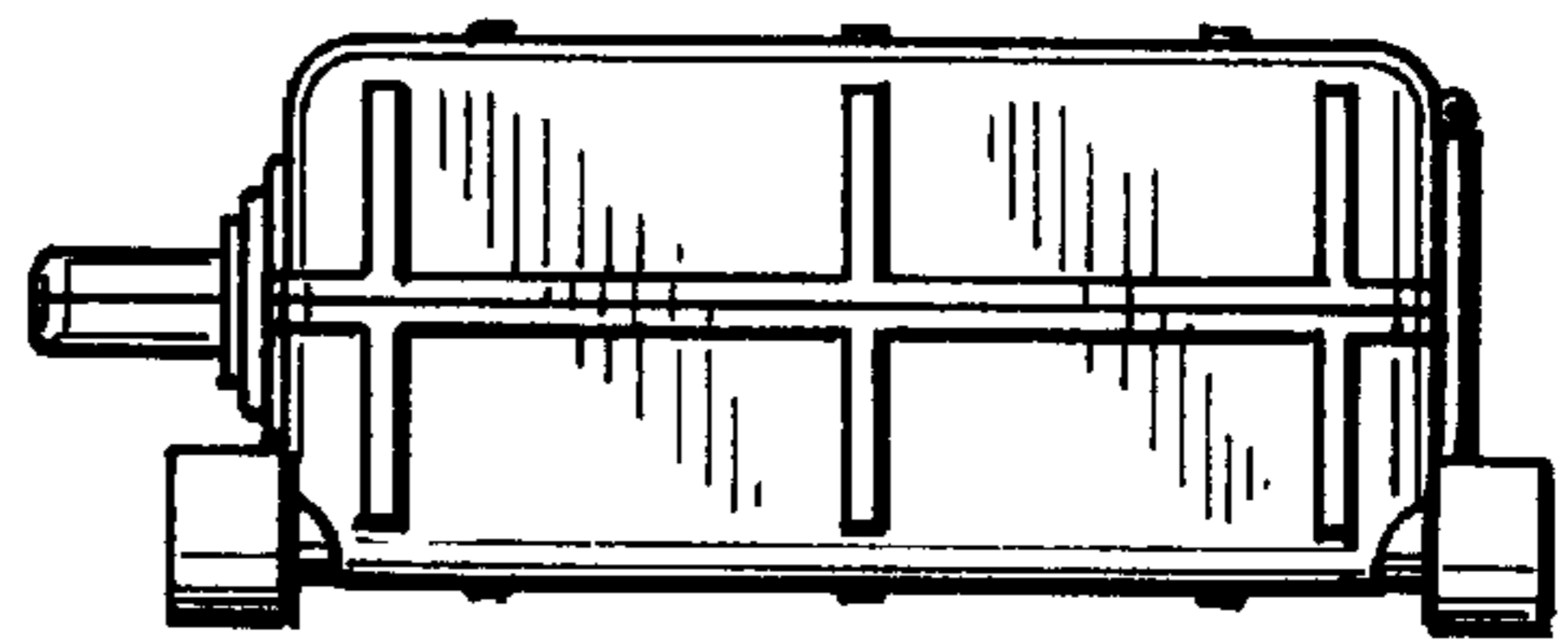


FIG. 6

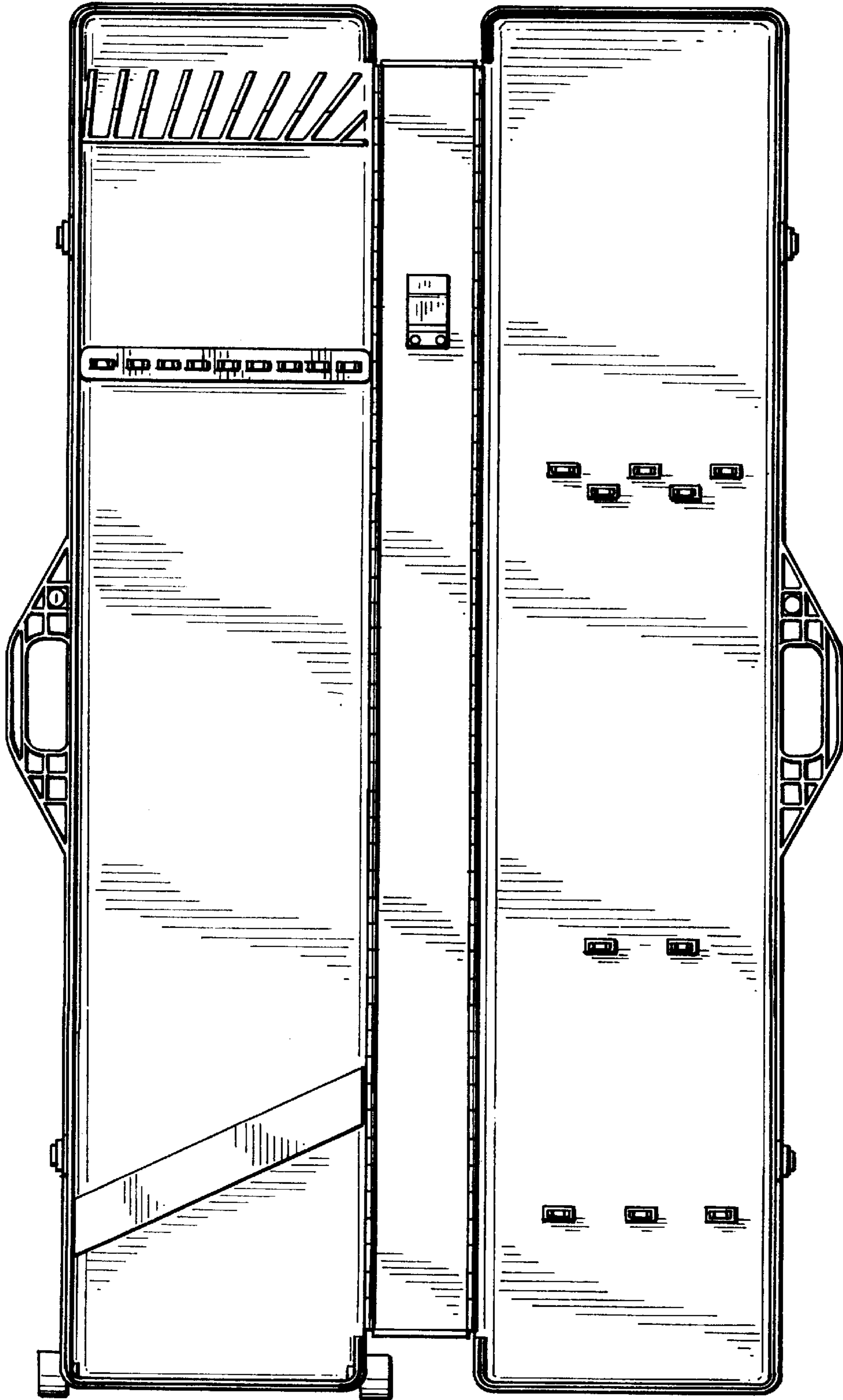


FIG. 7