



US00D416677S

United States Patent [19] Christman

[11] **Patent Number: Des. 416,677**

[45] **Date of Patent: ** Nov. 23, 1999**

[54] **DIAPER BAG**

[76] Inventor: **Lynn R. Christman**, 1101 W. Main St.,
Grove City, Pa. 16127

[**] Term: **14 Years**

[21] Appl. No.: **29/084,899**

[22] Filed: **Mar. 12, 1998**

[51] **LOC (6) Cl. 03-01**

[52] **U.S. Cl. D3/246; D3/232; D3/245;
D3/303**

[58] **Field of Search D3/201, 232, 245,
D3/246, 303; 150/107, 112; 190/1, 903;
206/315.1, 494, 581; 383/4, 6, 38, 40, 97**

[56] **References Cited**

U.S. PATENT DOCUMENTS

D. 293,869	1/1988	Paletta et al.	D3/303
D. 326,188	5/1992	Thomas	D3/246 X
D. 390,700	2/1998	Miller et al.	D3/245 X
1,672,322	6/1928	Keiser et al.	150/107
2,432,001	12/1947	Fisler	190/903
2,631,632	3/1953	Leachman	383/38
3,732,955	5/1973	Carter et al. .	
3,759,356	9/1973	Bostick et al. .	
4,154,323	5/1979	Sneider	383/40
4,566,130	1/1986	Coates .	
4,781,277	11/1988	Lim .	
4,886,150	12/1989	Fitzsimmons .	
5,230,450	7/1993	Mahvi et al. .	
5,439,154	8/1995	Delligatti .	
5,813,445	9/1998	Christman	150/112

OTHER PUBLICATIONS

Infants and Children Review, Feb. 1964, "Insulated Baby Bag", p. 27, right center of page, Feb. 1994.

Primary Examiner—B. J. Bullock

Assistant Examiner—Monica A. Weingart

Attorney, Agent, or Firm—Aileen Champion Addressi

[57] **CLAIM**

The ornamental design for a diaper bag, as shown and described.

DESCRIPTION

FIG. 1 is a perspective view of a diaper bag showing my new design;

FIG. 2 is a front elevational view thereof;

FIG. 3 is a rear elevational view thereof;

FIG. 4 is a right side elevational view thereof;

FIG. 5 is a left side elevational view thereof;

FIG. 6 is a top plan view thereof;

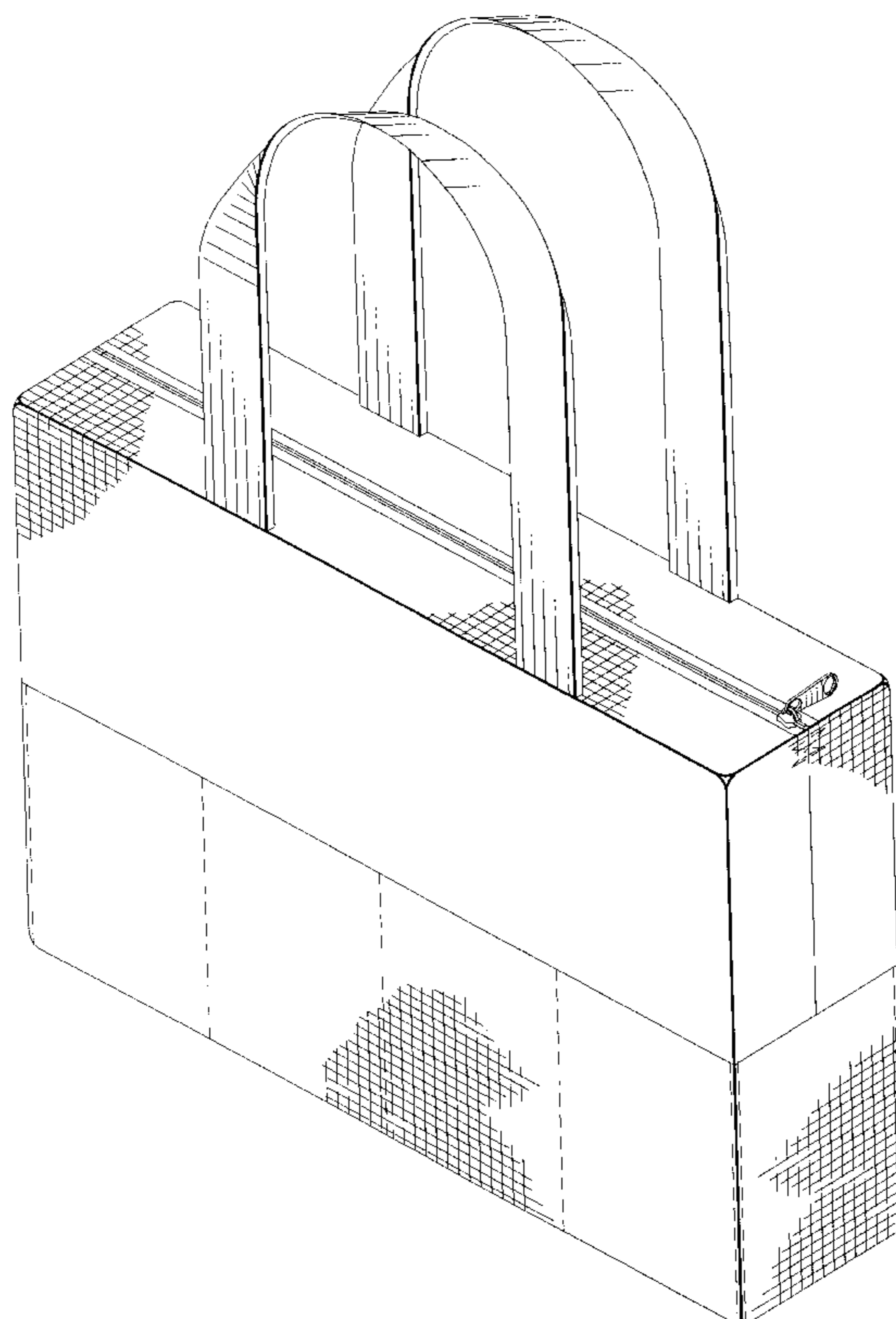
FIG. 7 is a bottom plan view thereof;

FIG. 8 is an exploded perspective view thereof having front and top portions of the diaper bag removed for showing interior features of the diaper bag and having a diaper changing pad for ease of illustration thereof; and,

FIG. 9 is a perspective view thereof having rear and top portions of the diaper bag removed for showing interior features of the diaper bag for use of illustration thereof.

The cross-line hatching is understood to repeat uniformity across the body of the diaper bag.

1 Claim, 7 Drawing Sheets



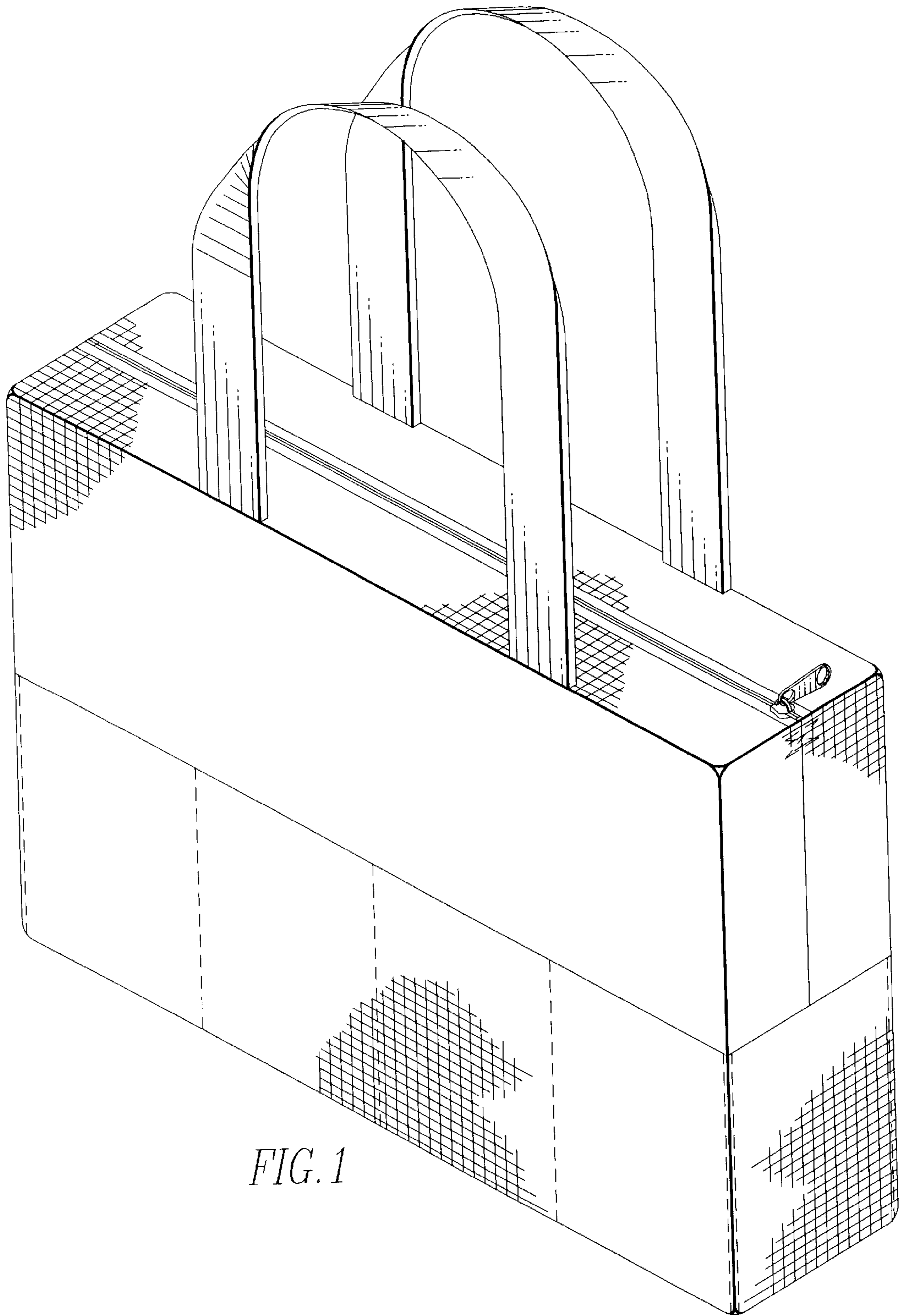


FIG. 1

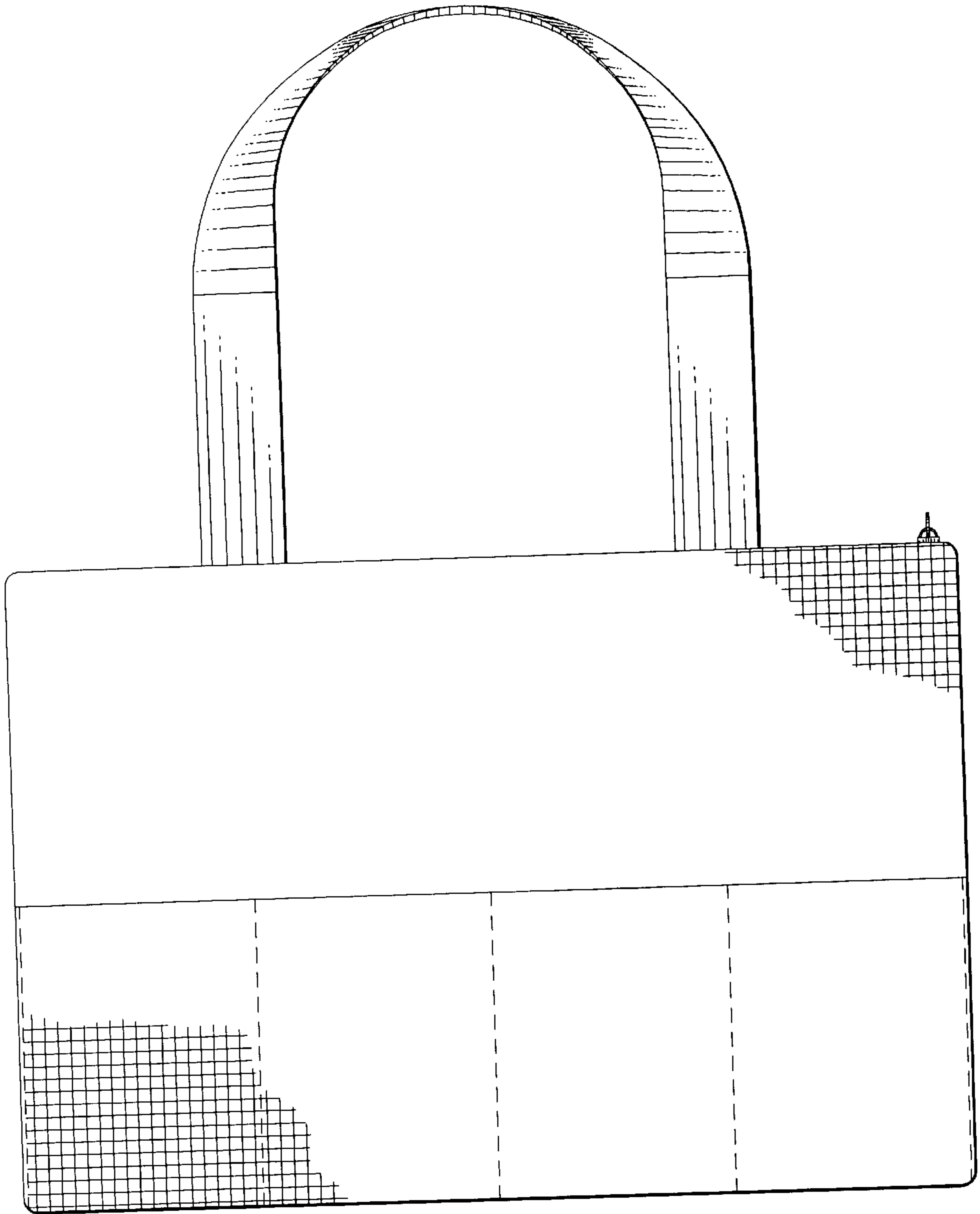


FIG. 2

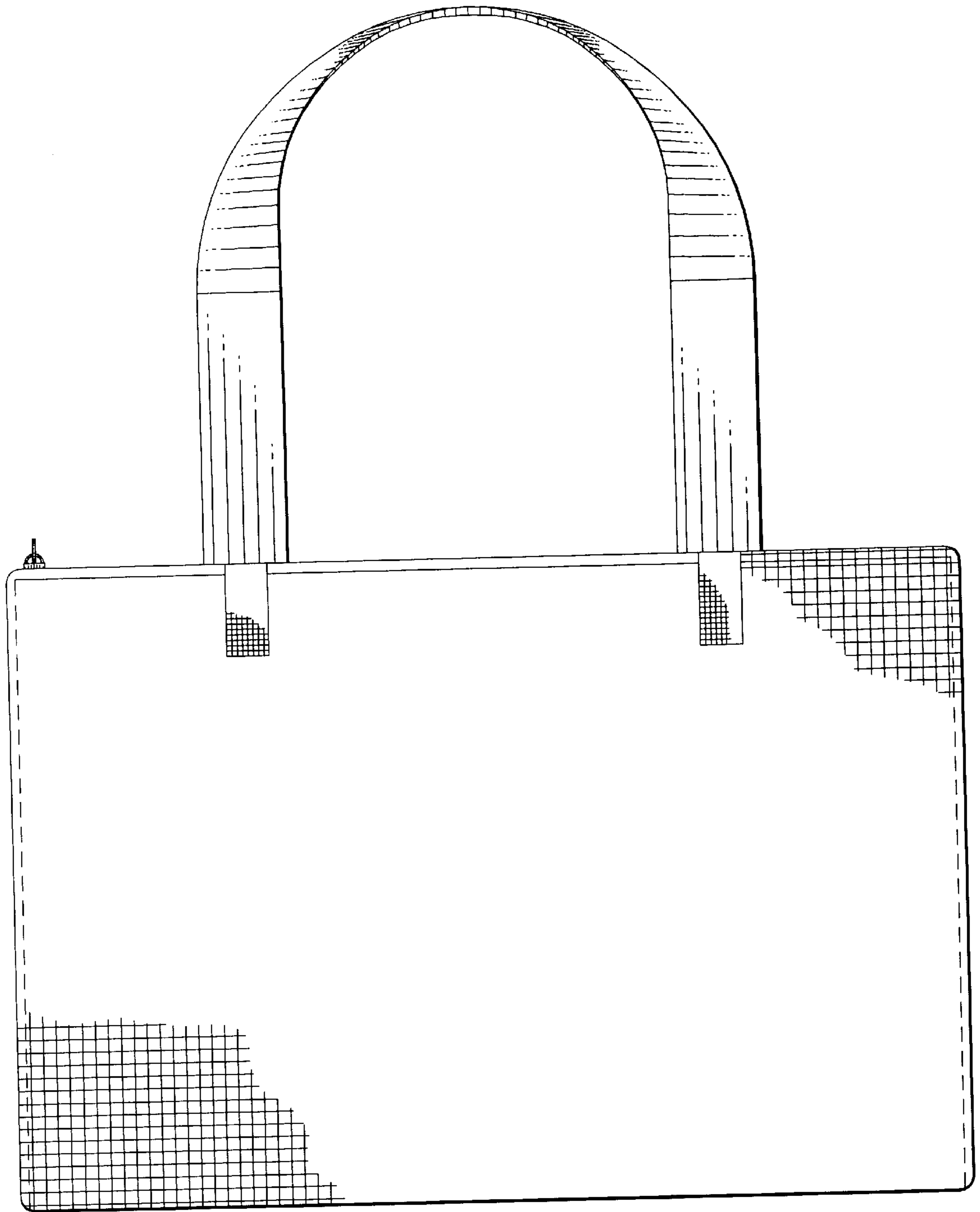


FIG. 3

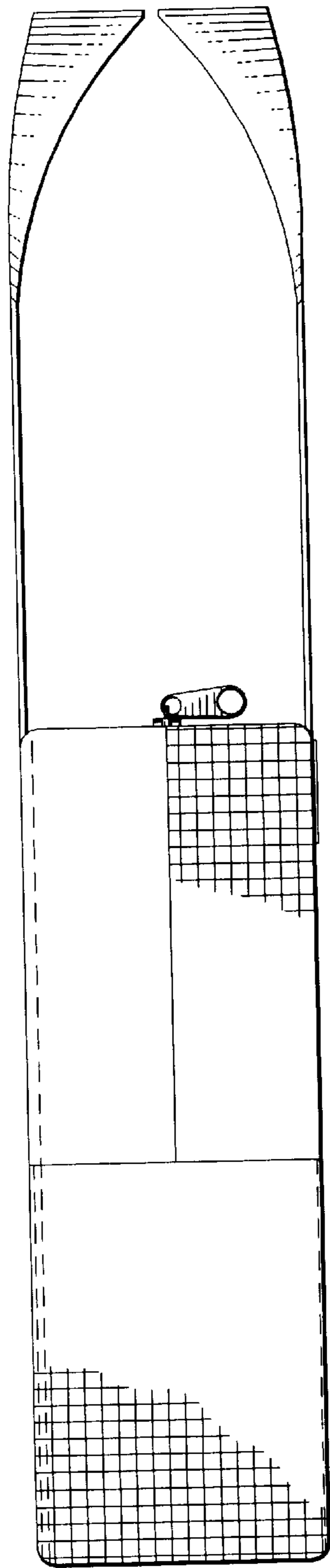


FIG. 4

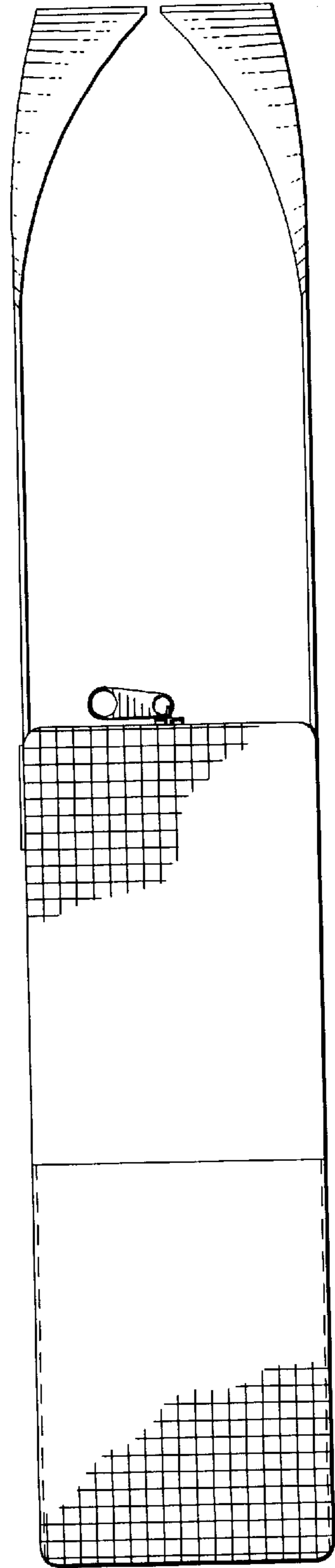


FIG. 5

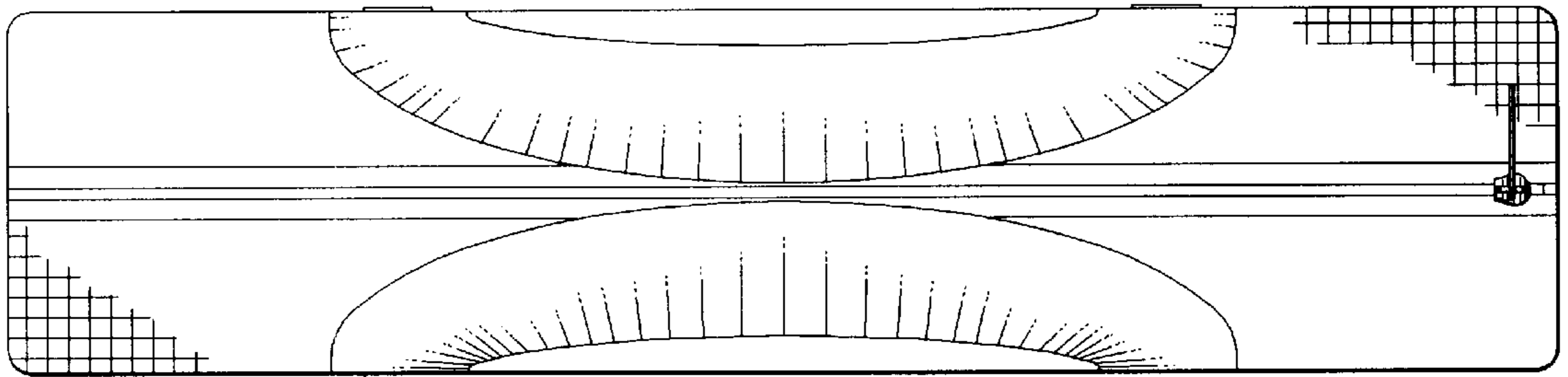


FIG. 6

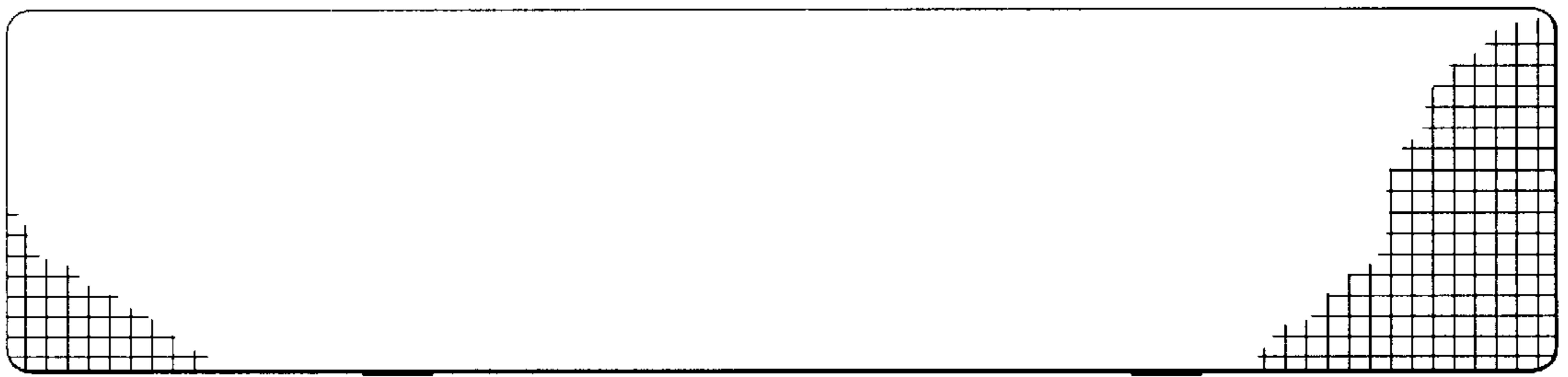


FIG. 7

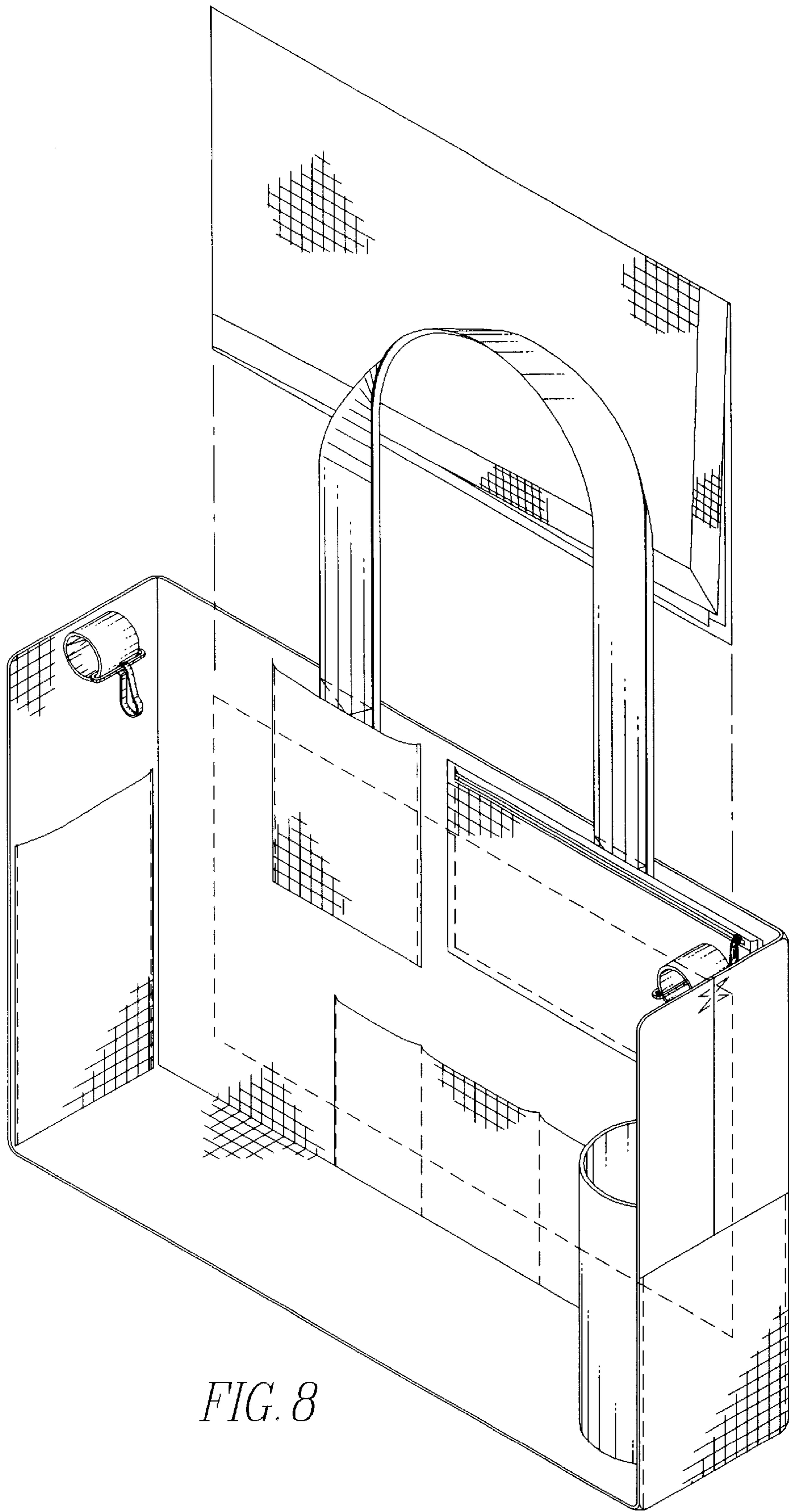


FIG. 8

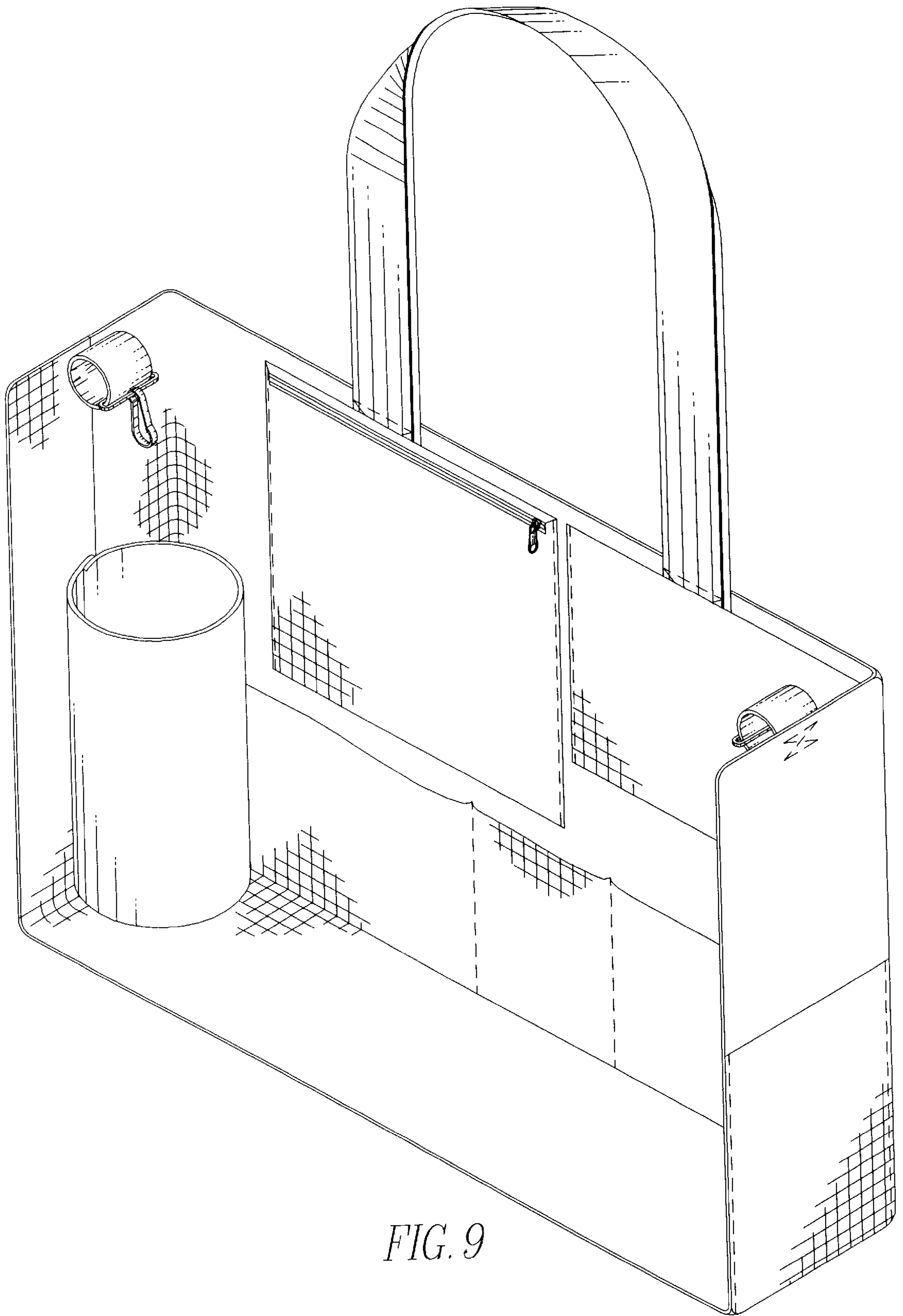


FIG. 9