



US00D416675S

United States Patent [19] MacDonald

[11] **Patent Number: Des. 416,675**

[45] **Date of Patent: ** Nov. 23, 1999**

[54] **BELT SUPPORTED KEY RING HOLDER**

4,113,156 9/1978 Brito D3/207

[76] Inventor: **Sumner MacDonald**, 44 Ballou Blvd.,
Bristol, R.I. 02809

Primary Examiner—Ralf Seifert
Attorney, Agent, or Firm—Robert J. Doherty

[**] Term: **14 Years**

[57] **CLAIM**

[21] Appl. No.: **29/100,120**

The ornamental design for a belt supported key ring holder,
as shown and described.

[22] Filed: **Feb. 4, 1999**

DESCRIPTION

[51] **LOC (6) Cl.** **03-01**

[52] **U.S. Cl.** **D3/207**

[58] **Field of Search** D3/207-212; 24/3.6;
70/456 R, 458, 459, 377, 457

FIG. 1 is a front perspective view of a belt supported key ring holder showing my new design;
FIG. 2 is a right side elevational view thereof;
FIG. 3 is a left side elevational view thereof;
FIG. 4 is a front elevational view thereof;
FIG. 5 is a rear elevational view thereof;
FIG. 6 is a top plan view thereof; and,
FIG. 7 is a bottom plan view thereof.

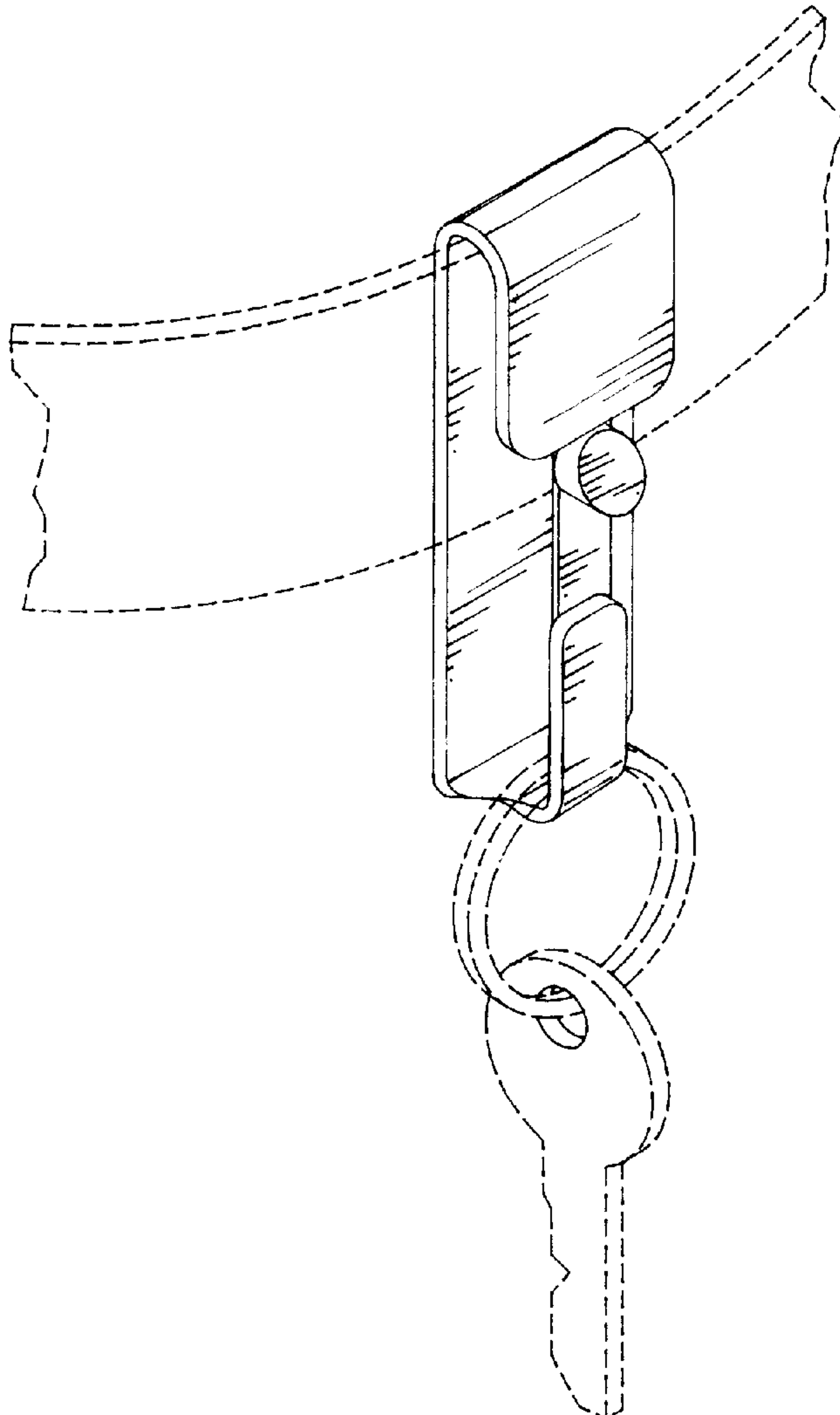
[56] **References Cited**

U.S. PATENT DOCUMENTS

D. 56,281	9/1920	Haber	D3/207
D. 237,561	11/1975	Kesner	D3/207
D. 364,269	11/1995	Sabosky	D3/207
1,821,377	9/1931	Cusick	24/3.6
2,986,786	6/1961	Hill	24/3.6
3,970,227	7/1976	Hardy	D3/207

The broken line showing of a key, a key ring and a partial belt in FIG. 1 is for illustrative purposes and forms no part of the claimed design.

1 Claim, 2 Drawing Sheets



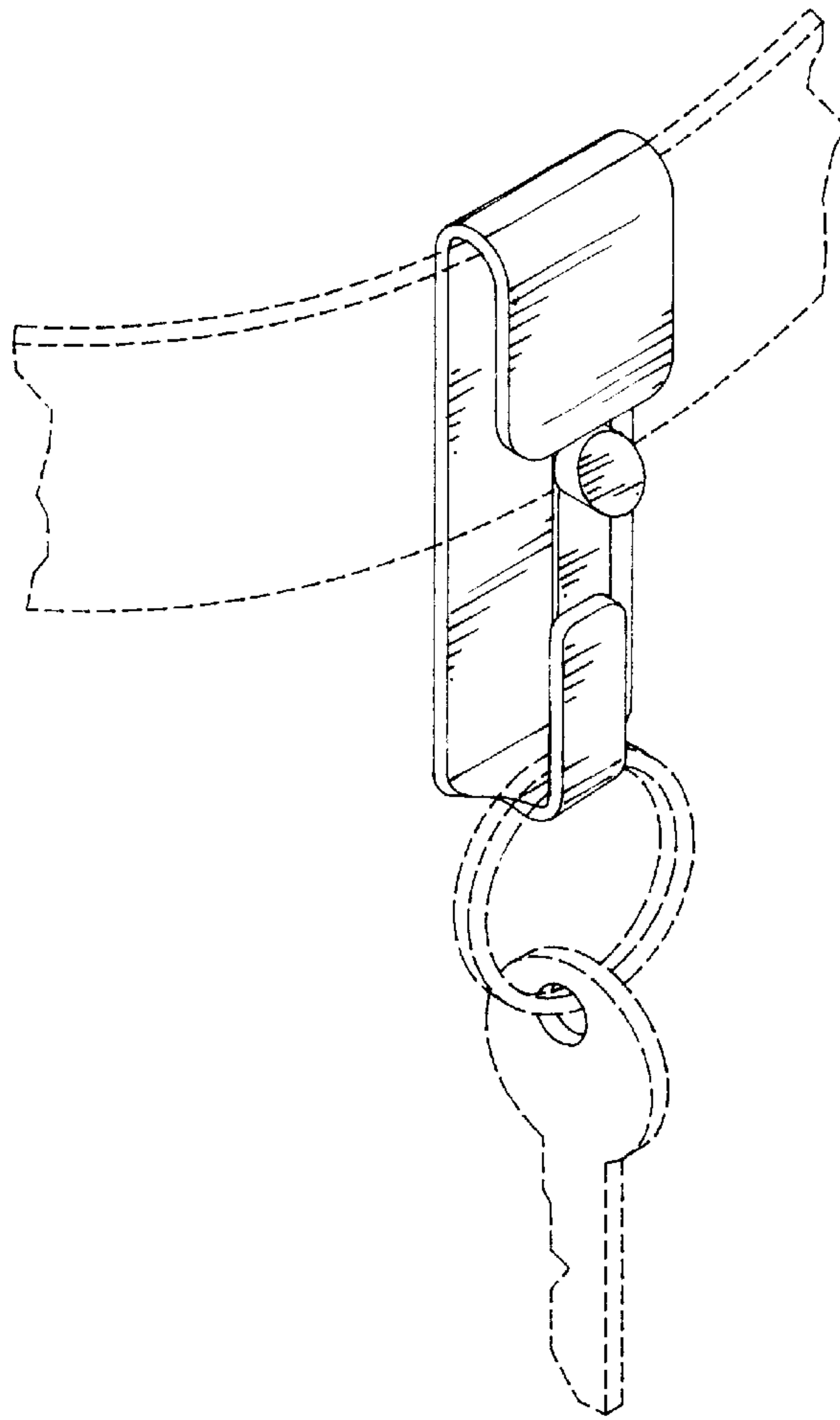


FIG. 1

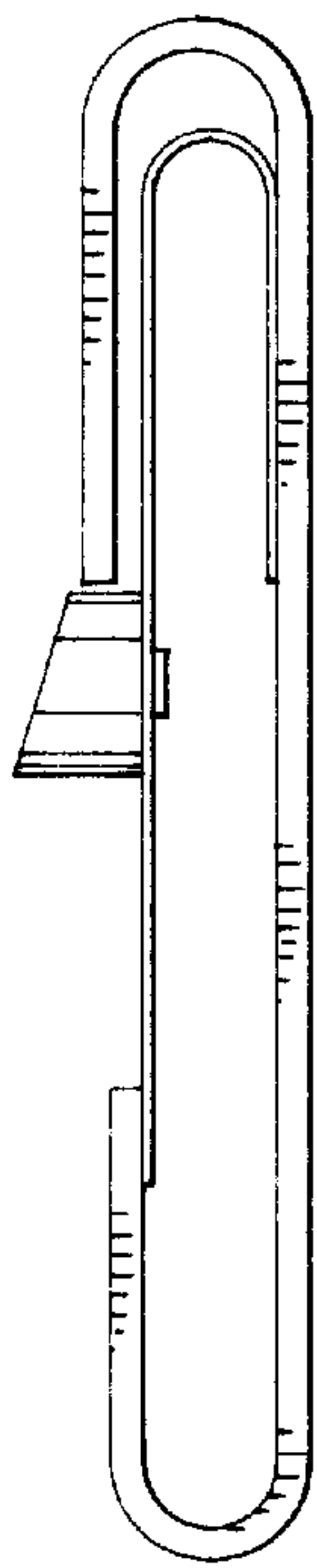


FIG. 2

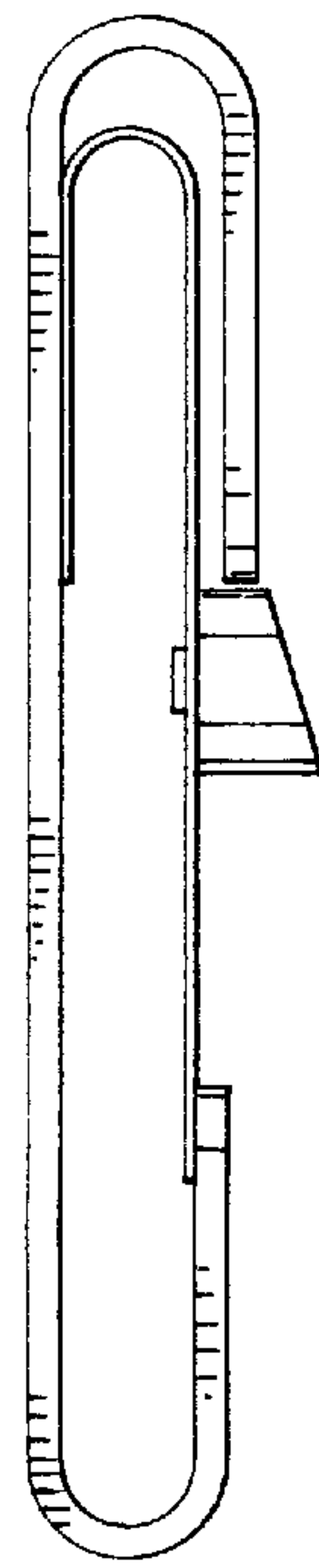


FIG. 3

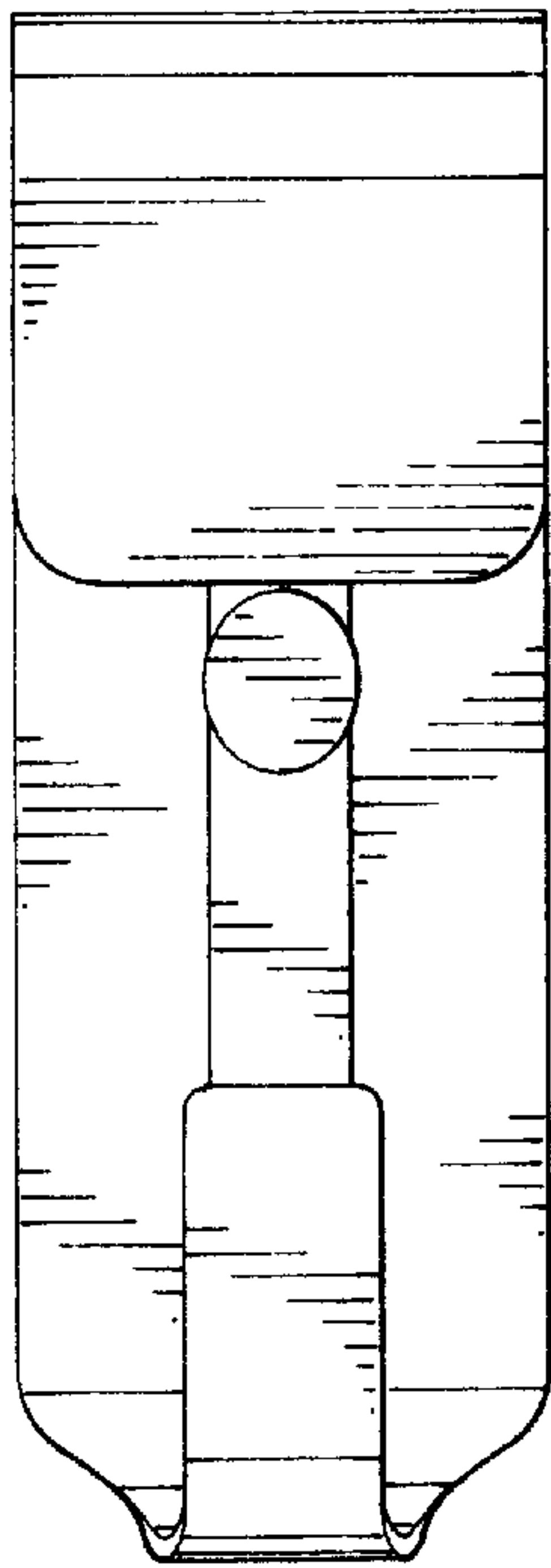


FIG. 4

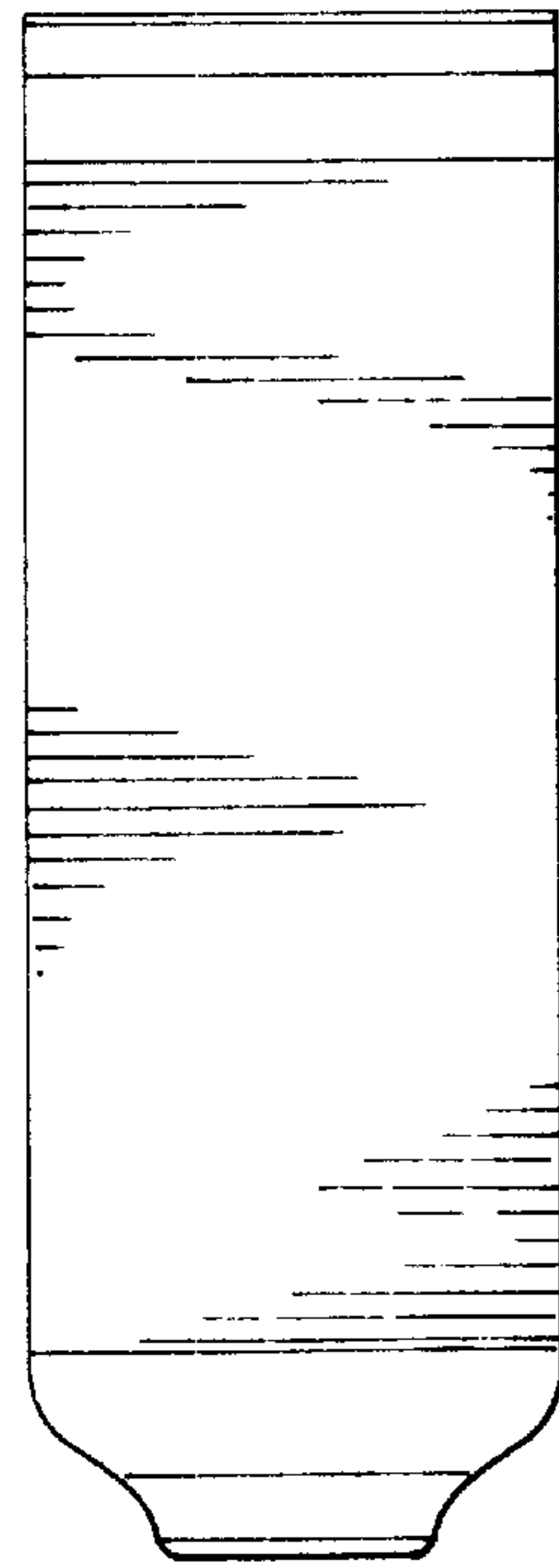


FIG. 5

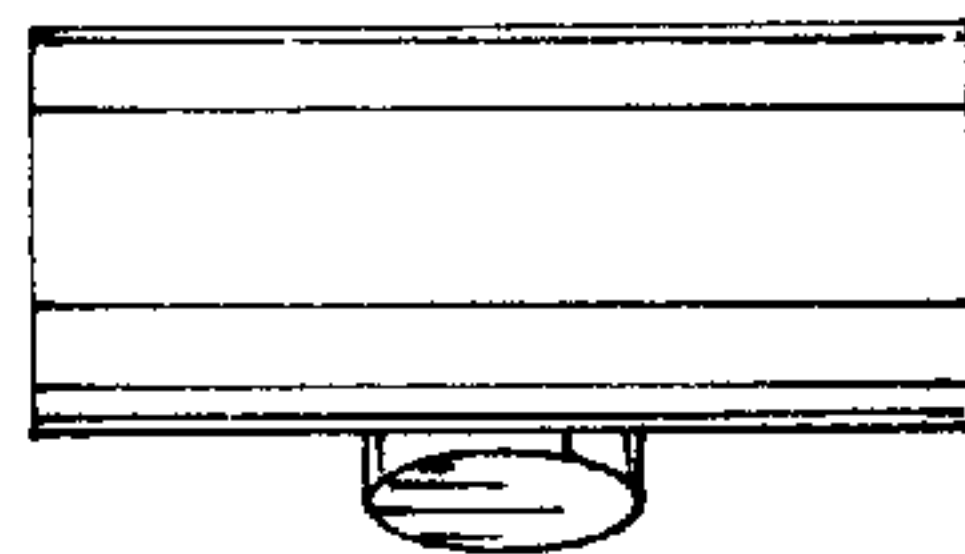


FIG. 6

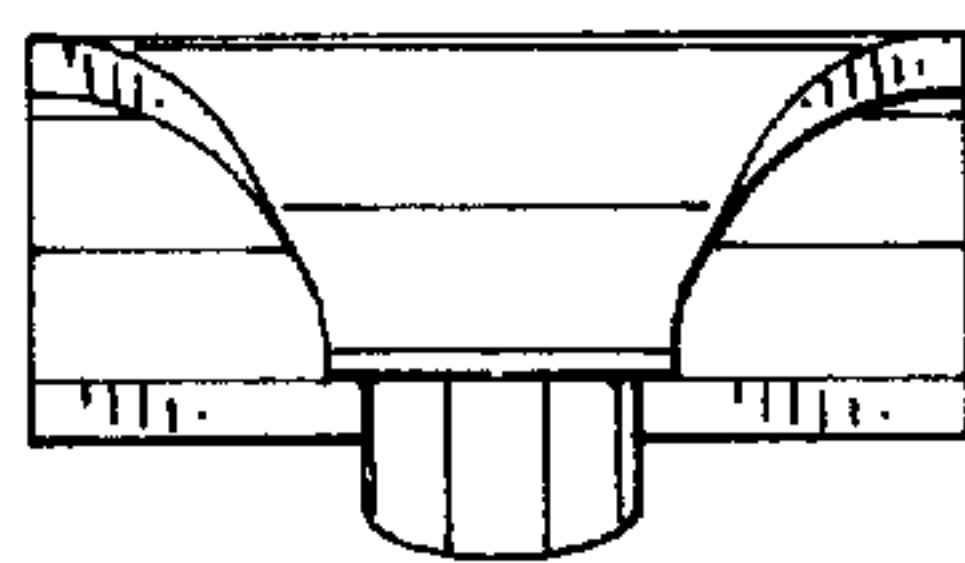


FIG. 7