



US00D416673S

United States Patent [19]
Menke

[11] **Patent Number: Des. 416,673**
[45] **Date of Patent: ** Nov. 23, 1999**

[54] **GOLF SHOE SPIKE**

[76] Inventor: **Rodney Menke**, N5986 Highway M.,
Westfield, Wis. 53964

[**] Term: **14 Years**

[21] Appl. No.: **29/090,008**

[22] Filed: **Jun. 26, 1998**

[51] **LOC (6) Cl. 02-04**

[52] **U.S. Cl. D2/962**

[58] **Field of Search D2/962, 906; 36/67 A,**
36/67 B, 67 C, 67 D, 59 R, 134, 126-130

[56] **References Cited**

U.S. PATENT DOCUMENTS

39,575	8/1863	Hyatt et al. .	
180,578	8/1876	Gunsalus	36/67 B
D. 288,262	2/1987	Yokoishi	D2/317
D. 341,480	11/1993	Saito et al.	D2/317
D. 371,895	7/1996	McMullin	D2/962
D. 371,896	7/1996	McMullin	D2/962
D. 373,675	9/1996	McMullin	D2/962
D. 375,192	11/1996	Bathum	D2/962
D. 378,013	2/1997	McMullin	D2/962
D. 380,076	6/1997	McMullin	D2/962
D. 387,548	12/1997	McMullin	D2/962
D. 389,299	1/1998	McMullin	D2/962
D. 396,949	8/1998	Bathum	D2/962
D. 398,749	9/1998	Santos	D2/962
D. 401,752	12/1998	Santos	D2/962
485,459	11/1892	Crocker .	
962,719	6/1910	Pratt .	
982,278	1/1911	Kline .	
1,230,118	6/1917	Clifford	36/134
1,856,195	9/1932	Youmans .	
2,491,596	12/1949	Zaleski et al.	36/59
3,487,563	1/1970	Austin	36/67
3,512,275	5/1970	Leavitt	36/55
3,559,310	2/1971	Kiela	36/7.3
3,583,082	6/1971	Jordan, Jr.	36/59
3,583,083	6/1971	Drew	36/61

3,656,245	4/1972	Wilson	36/67 D
3,672,077	6/1972	Coles	36/2.5 T
3,818,617	6/1974	Dassler et al.	36/32 R
4,014,114	3/1977	Jordan et al.	36/67 D
4,141,158	2/1979	Benseler et al.	36/32 R
4,180,923	1/1980	Dassler	36/32 R
4,233,759	11/1980	Bente et al.	36/59 R
4,309,376	1/1982	Ueno et al.	264/241
4,330,950	5/1982	Reddien	36/127

(List continued on next page.)

FOREIGN PATENT DOCUMENTS

792190	12/1935	France	36/67 A
807754	6/1936	France .	
6877	8/1879	Germany .	
185659	9/1905	Germany .	
885669	8/1953	Germany	36/67 A
25 29 027	6/1975	Germany .	
467815	12/1951	Italy .	
1378461	1/1972	United Kingdom .	
1434282	5/1972	United Kingdom .	
2223394	8/1988	United Kingdom .	
WO 91/03960	9/1990	WIPO .	

Primary Examiner—Louis S. Zarfaz
Assistant Examiner—Gregory Andoll
Attorney, Agent, or Firm—Kinney & Lange, P.A.

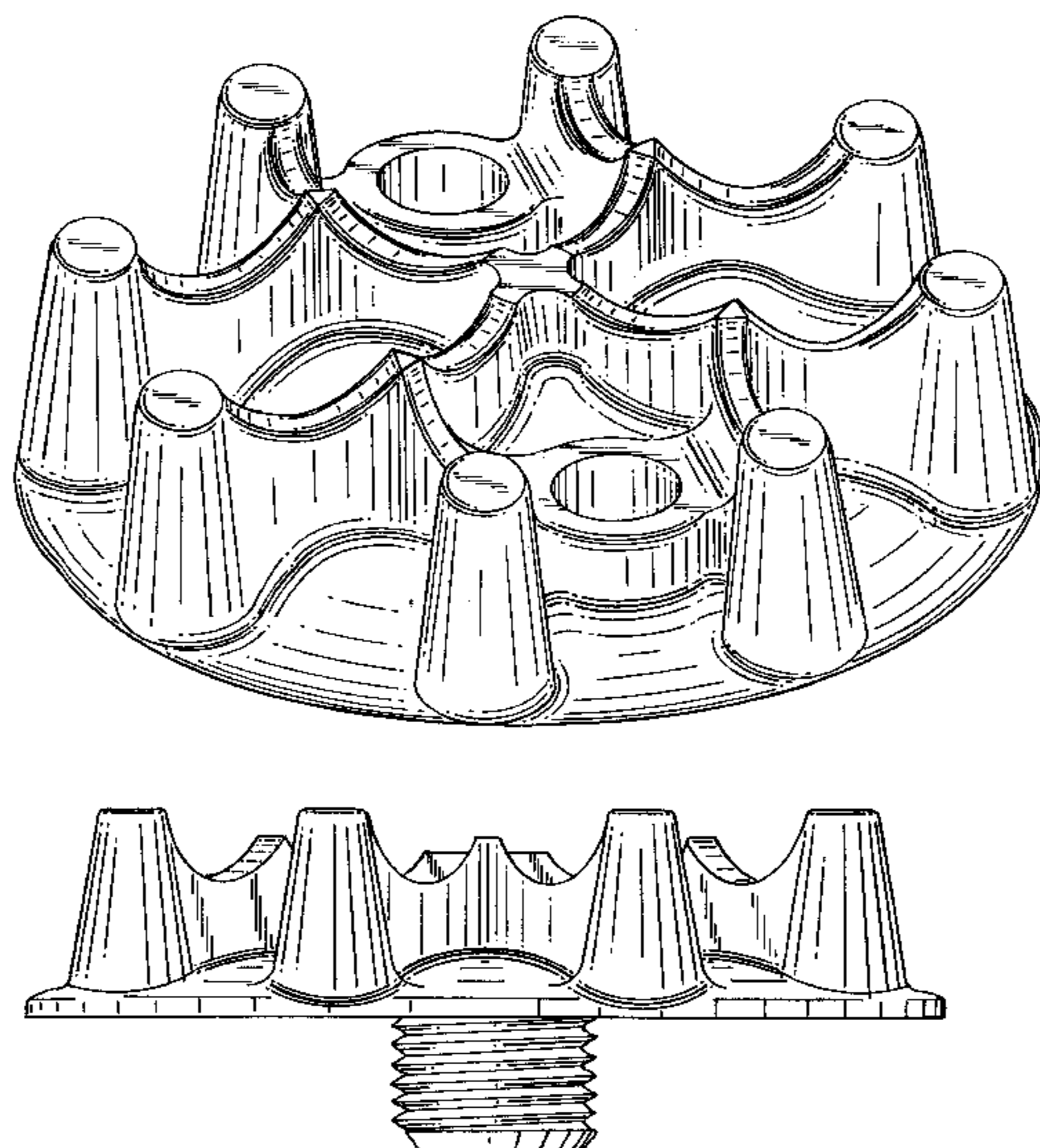
[57] **CLAIM**

The ornamental design for a golf shoe spike, as shown and described.

DESCRIPTION

FIG. 1 is a perspective view of a the golf shoe spike, showing my new design;
FIG. 2 is a top view thereof view thereof;
FIG. 3 is a side elevational view thereof, the opposite side being a mirror image;
FIG. 4 is a side elevational view rotated 90 degrees from FIG. 3, the opposite side being a mirror image; and,
FIG. 5 is a bottom plan view thereof.

1 Claim, 4 Drawing Sheets



Des. 416,673

Page 2

U.S. PATENT DOCUMENTS

4,392,312	7/1983	Crowley et al.	36/67	4,962,596	10/1990	Dufour	36/134
4,527,345	7/1985	Lopez Lopez	36/127	5,243,775	9/1993	Swain	36/134
4,571,852	2/1986	Lamarche et al.	36/32 R	5,259,129	11/1993	Deacon et al.	36/127
4,587,748	5/1986	Collins	36/127	5,367,793	11/1994	Deacon et al.	36/127
4,689,901	9/1987	Ihlenburg	36/126	5,533,282	7/1996	Kataoka et al.	36/67 R
4,777,738	10/1988	Glese et al.	36/32 R	5,727,340	3/1998	Suk	36/134
4,782,604	11/1988	Wen-Shown	36/127	5,782,017	7/1998	Ortscheid	36/134
4,837,949	6/1989	Dufour	36/127	5,791,071	8/1998	Rosdial	36/134
4,885,851	12/1989	Peterson	36/127	5,794,367	8/1998	Carroll	36/134

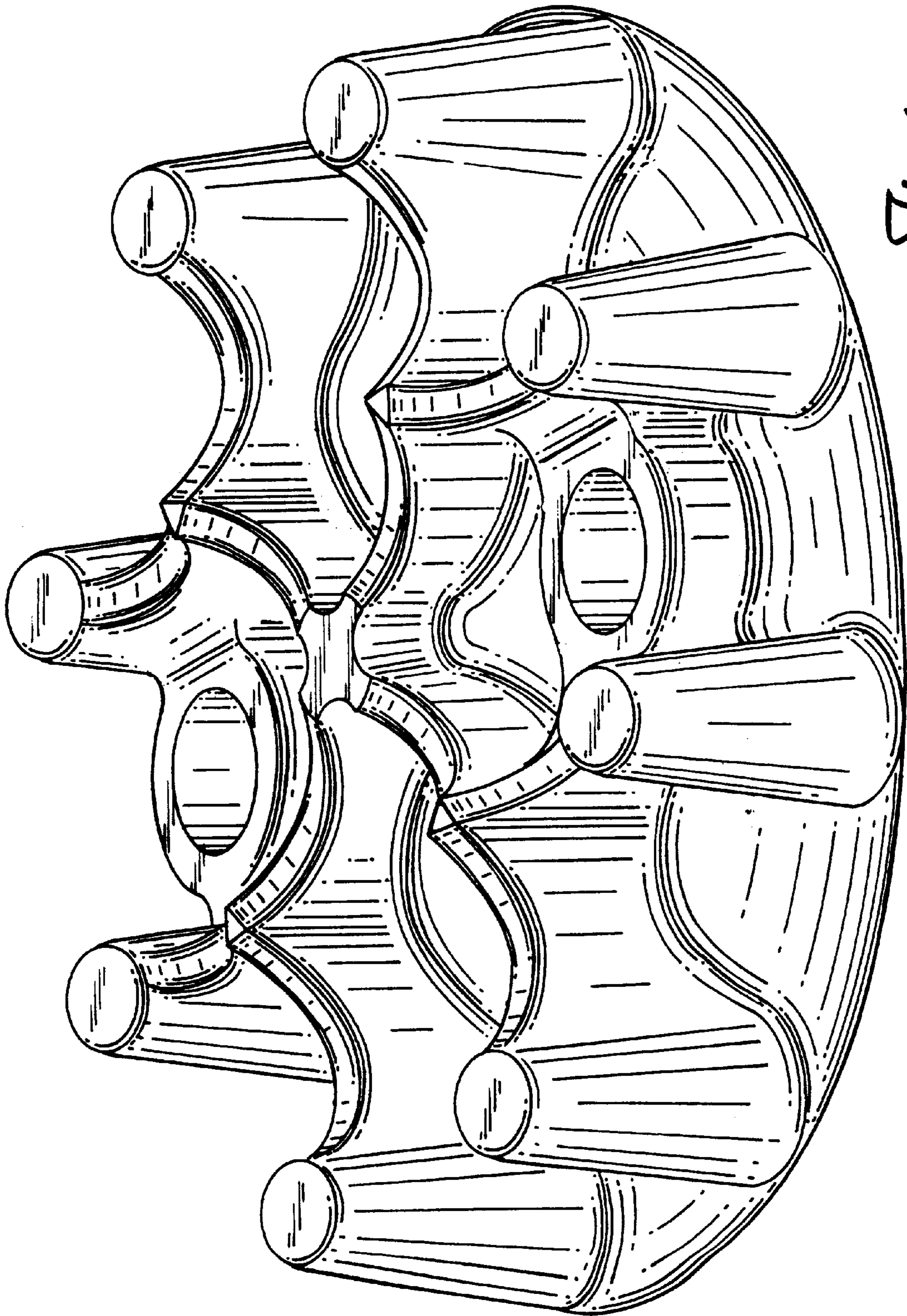


Fig. 1

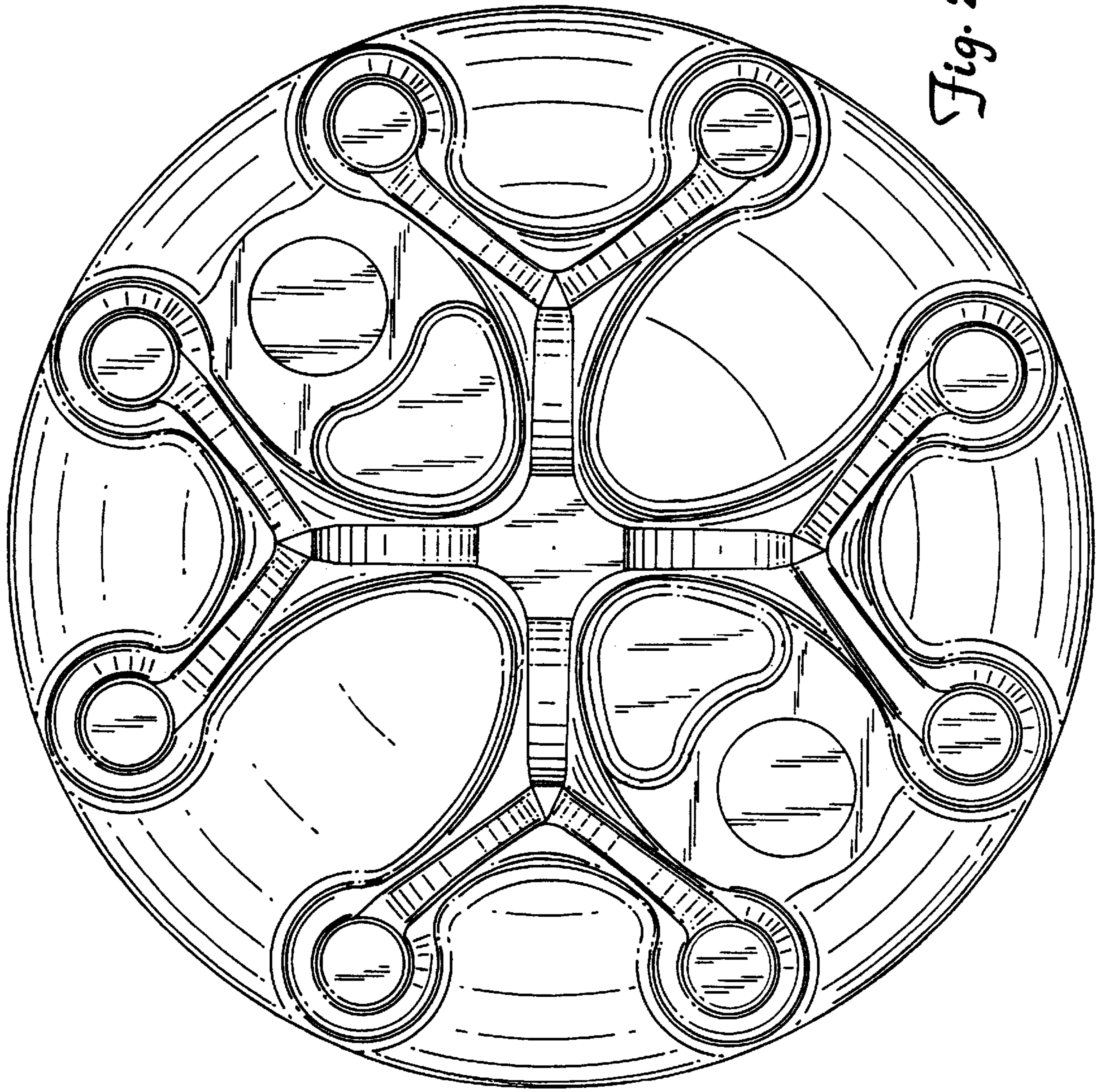
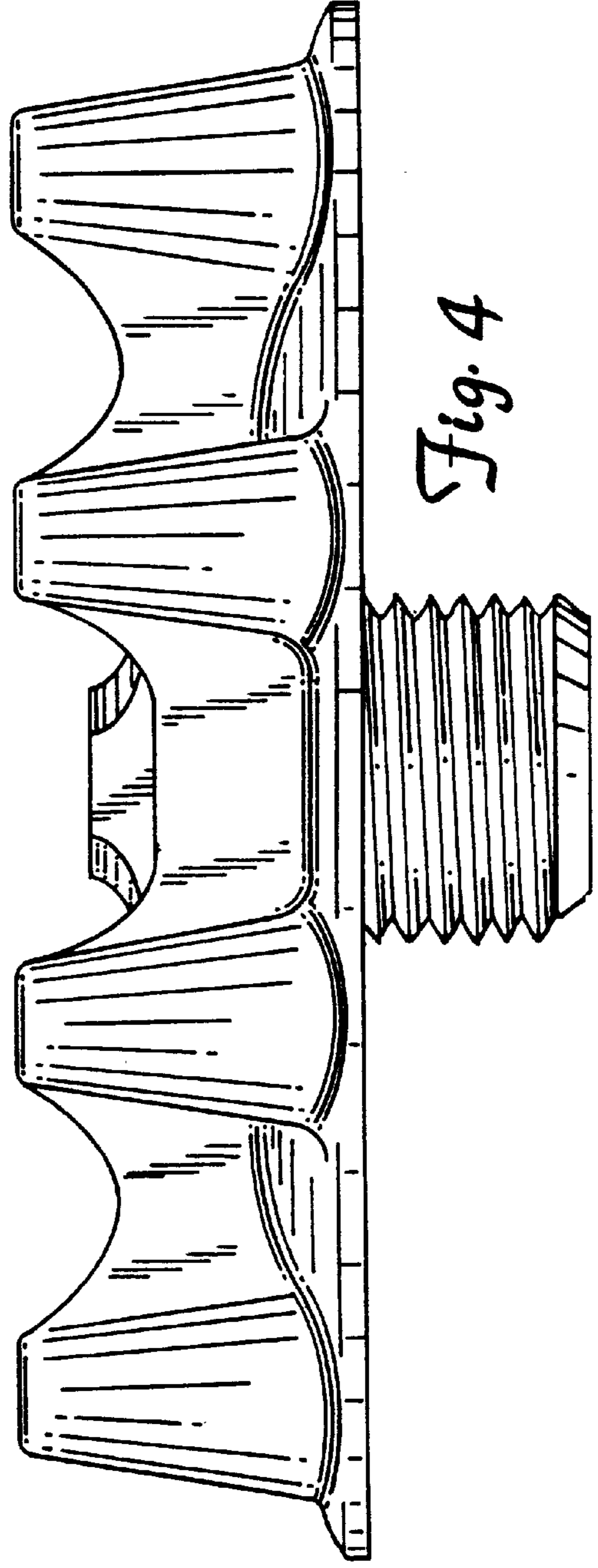
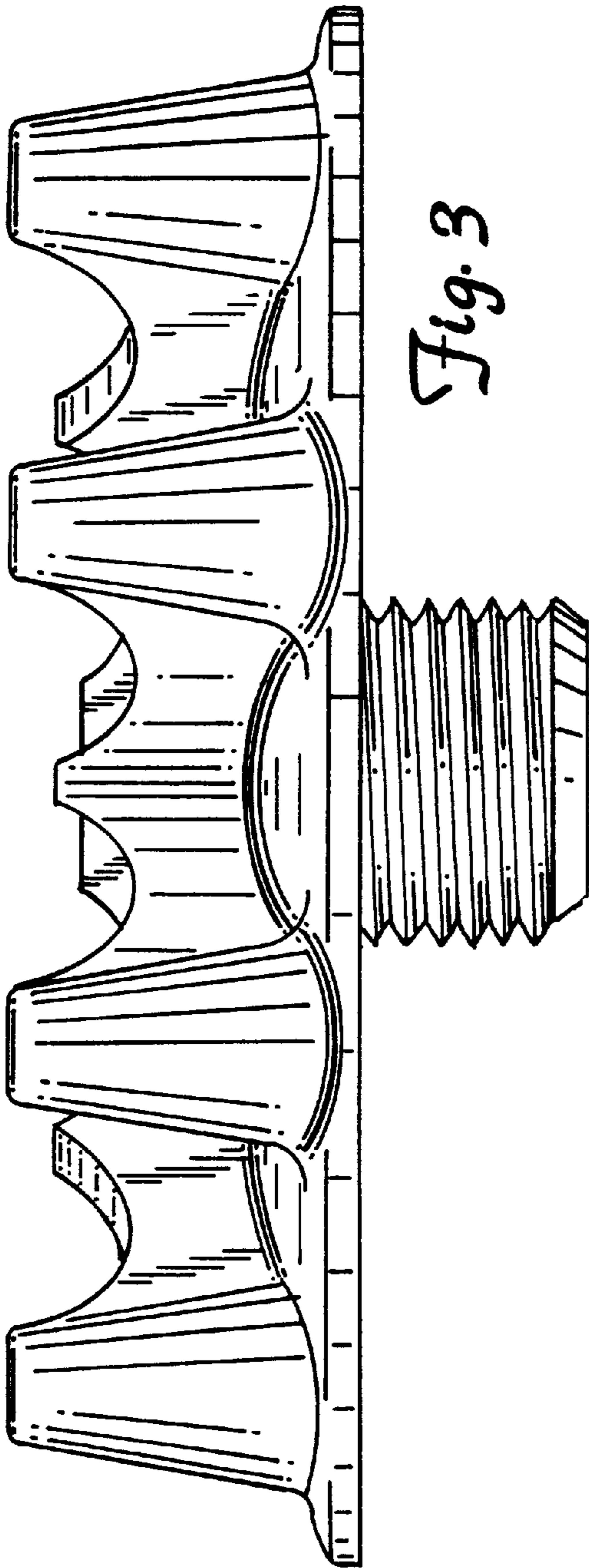


Fig. 2



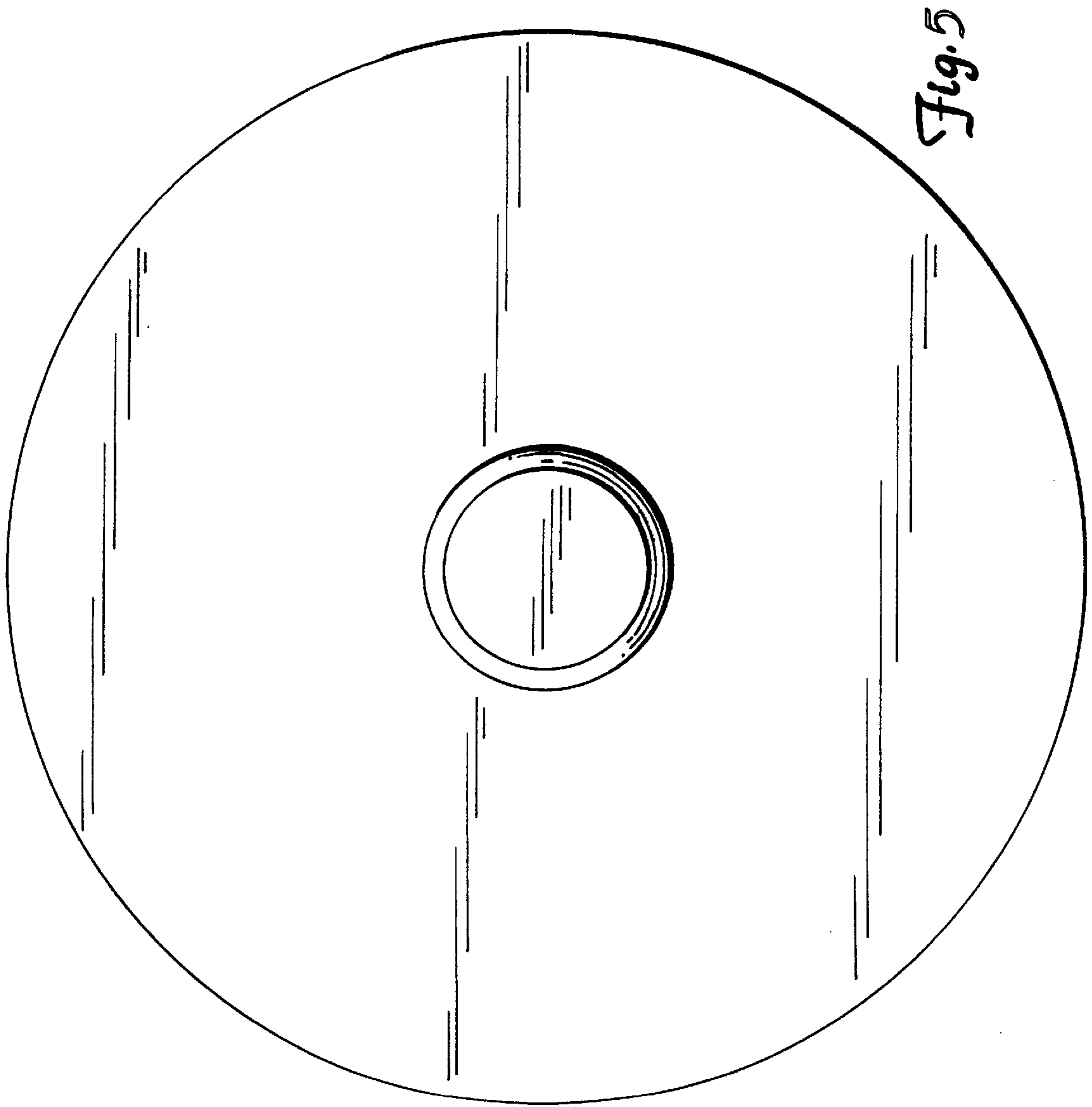


Fig. 5