



US00D416660S

**United States Patent** [19]  
**Lin**

[11] **Patent Number: Des. 416,660**

[45] **Date of Patent: \*\* Nov. 16, 1999**

[54] **COIN BANK**

[76] Inventor: **Hung-Lung Lin**, P.O. Box 82-144,  
Taipei, Taiwan

[\*\*] Term: **14 Years**

[21] Appl. No.: **29/096,432**

[22] Filed: **Nov. 12, 1998**

[51] **LOC (6) Cl.** ..... **99-00**

[52] **U.S. Cl.** ..... **D99/35**

[58] **Field of Search** ..... D99/35, 28, 29,  
D99/30, 34, 37; 446/8, 9, 10, 11, 12, 13;  
232/4 R, 6, 19; D20/3; D21/403, 483; 312/211

[56] **References Cited**

**U.S. PATENT DOCUMENTS**

- D. 117,935 12/1939 Prince ..... D99/35
- D. 155,467 10/1949 Weill ..... D99/37
- D. 261,157 10/1981 Wolf ..... D21/403

- D. 285,139 8/1986 Miles ..... D99/35
- D. 355,066 1/1995 Roberts ..... D99/37
- 1,781,920 11/1930 Fisher ..... D99/35

*Primary Examiner*—Paula A. Mortimer  
*Attorney, Agent, or Firm*—A & J

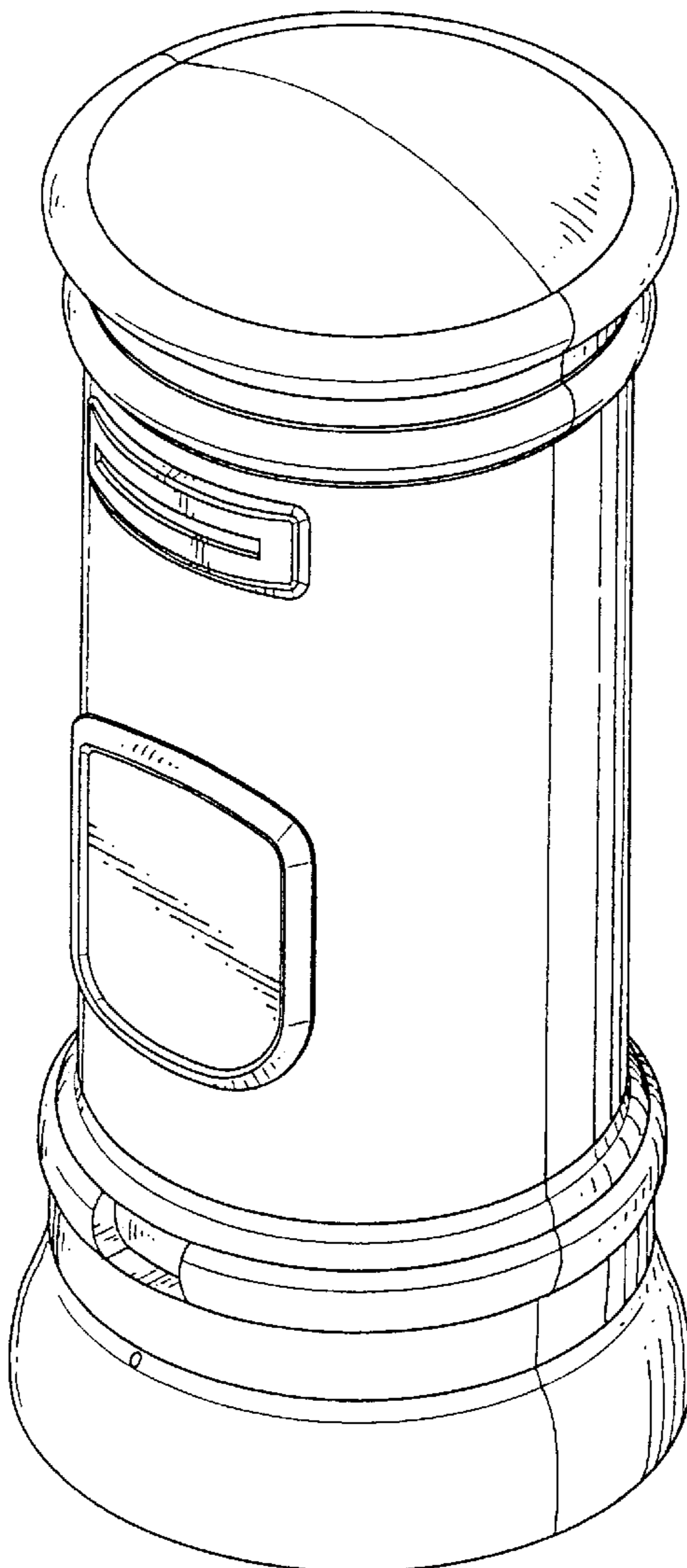
[57] **CLAIM**

The ornamental design for a coin bank, as shown and described.

**DESCRIPTION**

FIG. 1 is a perspective view of a coin bank showing my new design;  
FIG. 2 is a rear view thereof;  
FIG. 3 is a front view thereof;  
FIG. 4 is a right side elevational view thereof;  
FIG. 5 is a left side elevational view thereof;  
FIG. 6 is a top plan view thereof; and,  
FIG. 7 is a bottom plan view thereof.

**1 Claim, 4 Drawing Sheets**



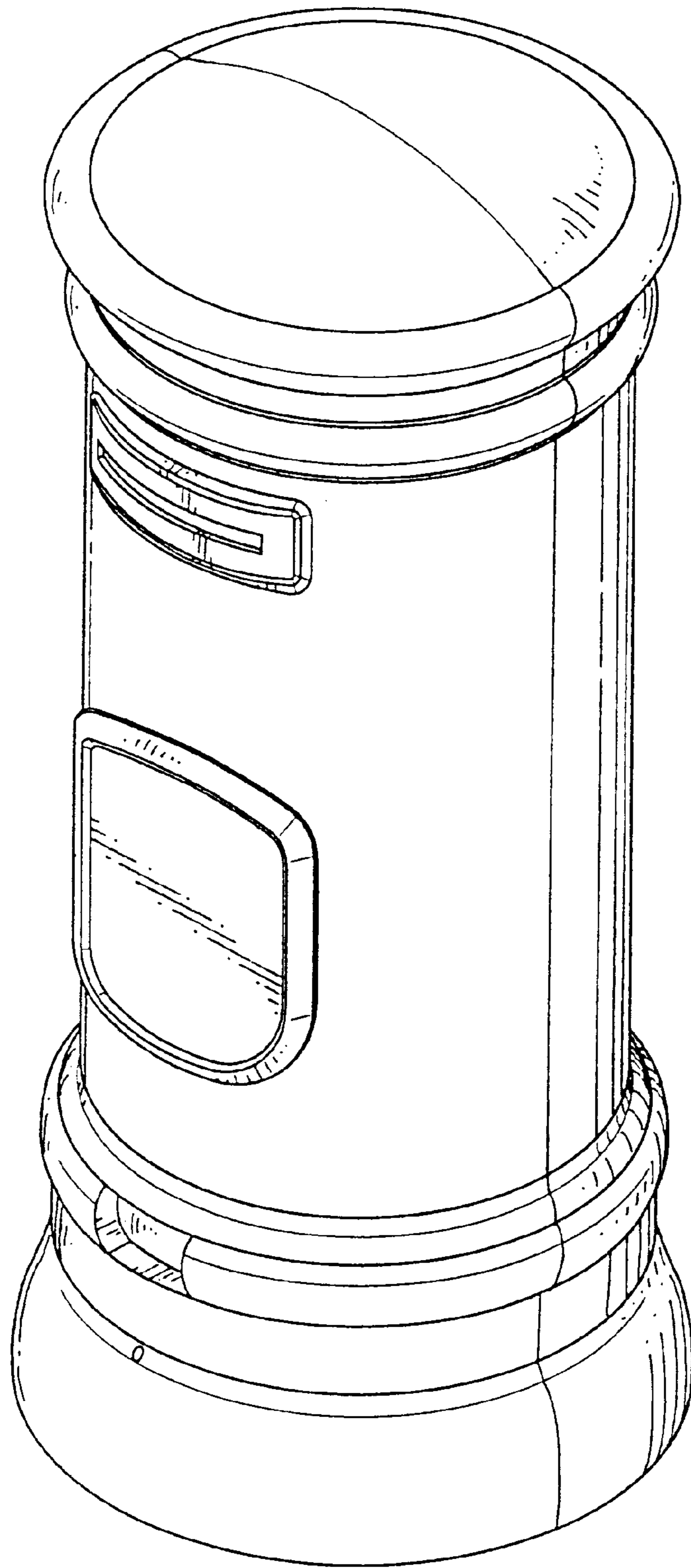


FIG. 1

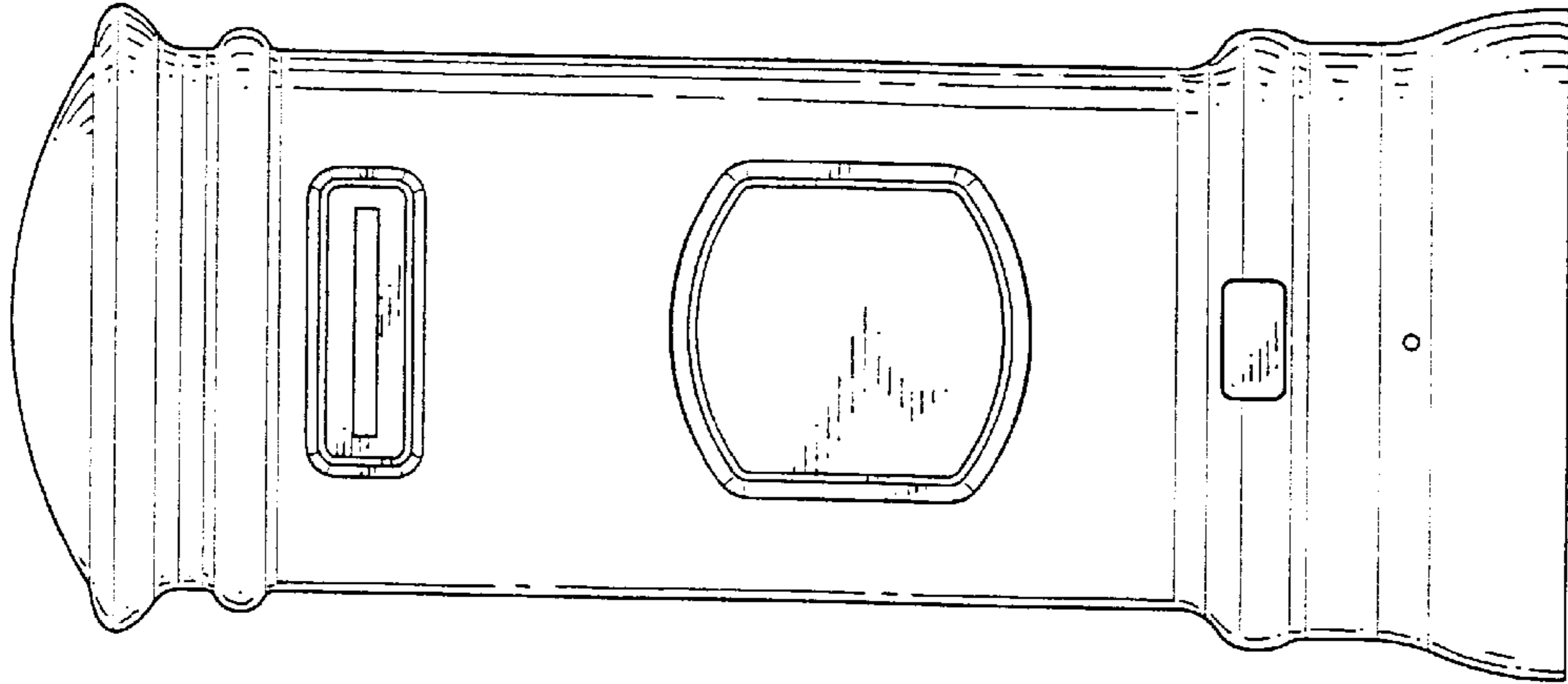


FIG.3

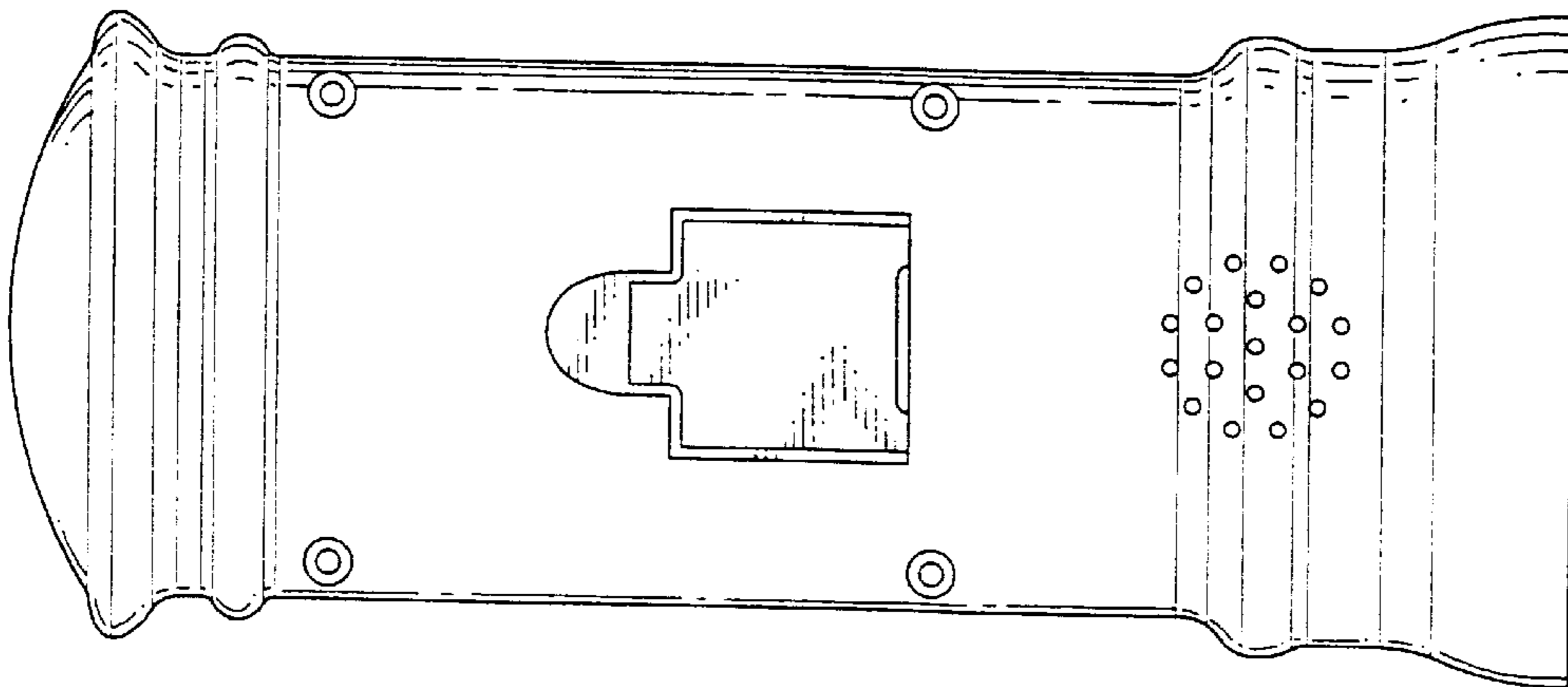


FIG.2

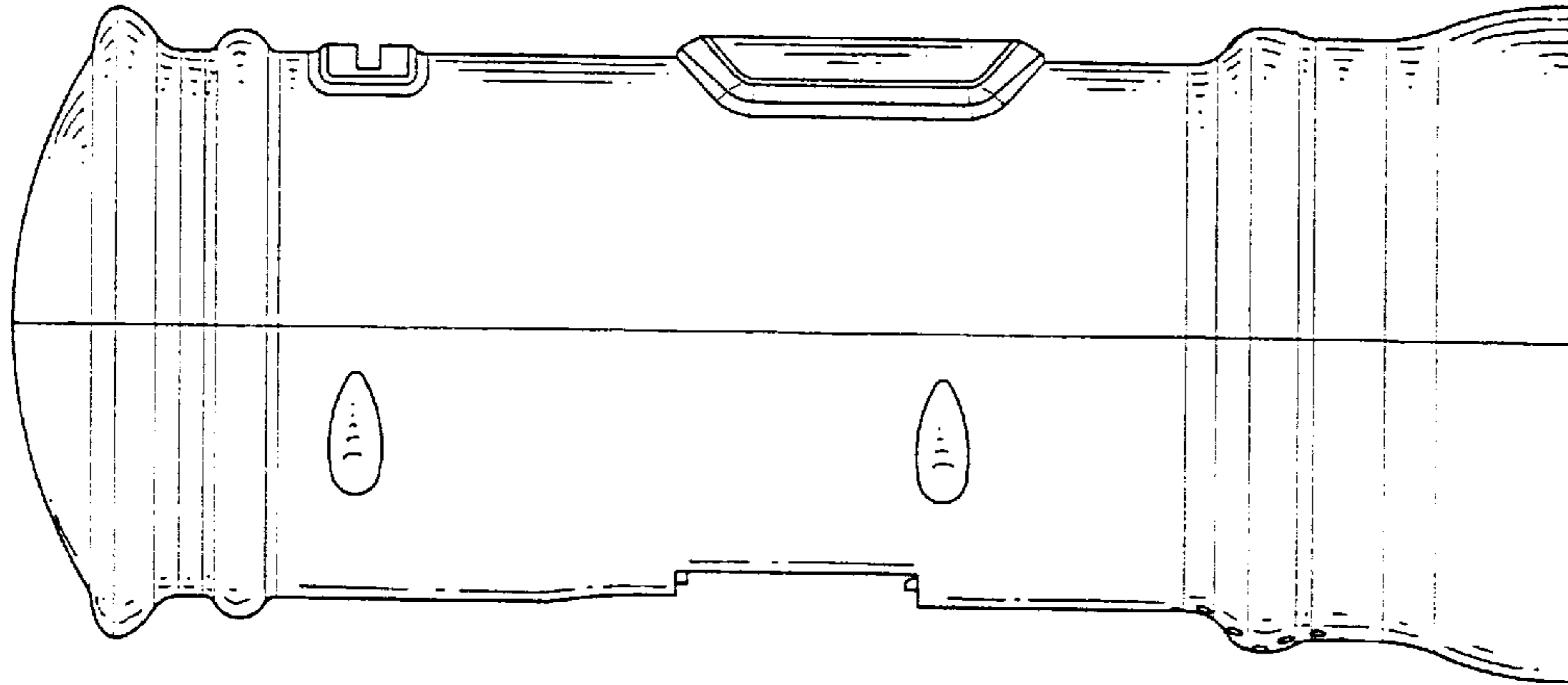


FIG.5

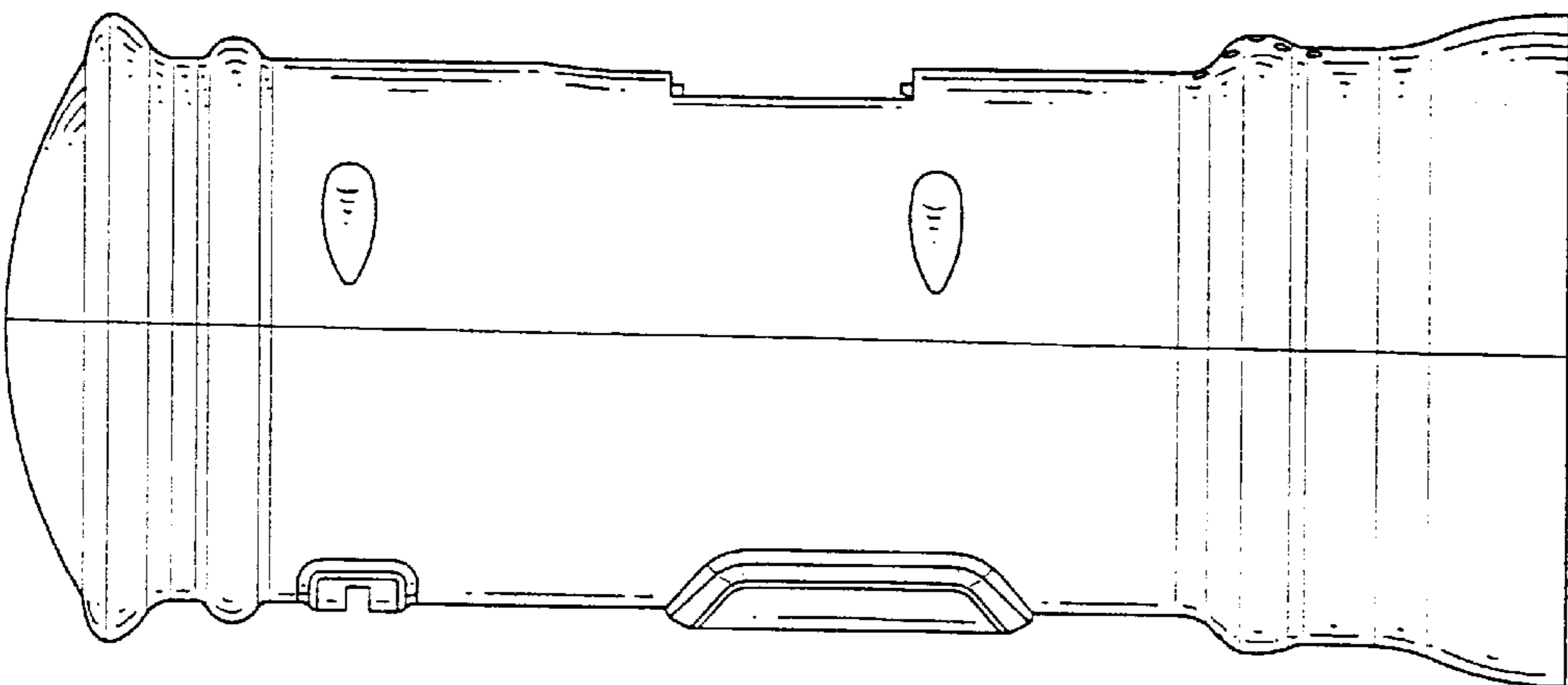


FIG.4

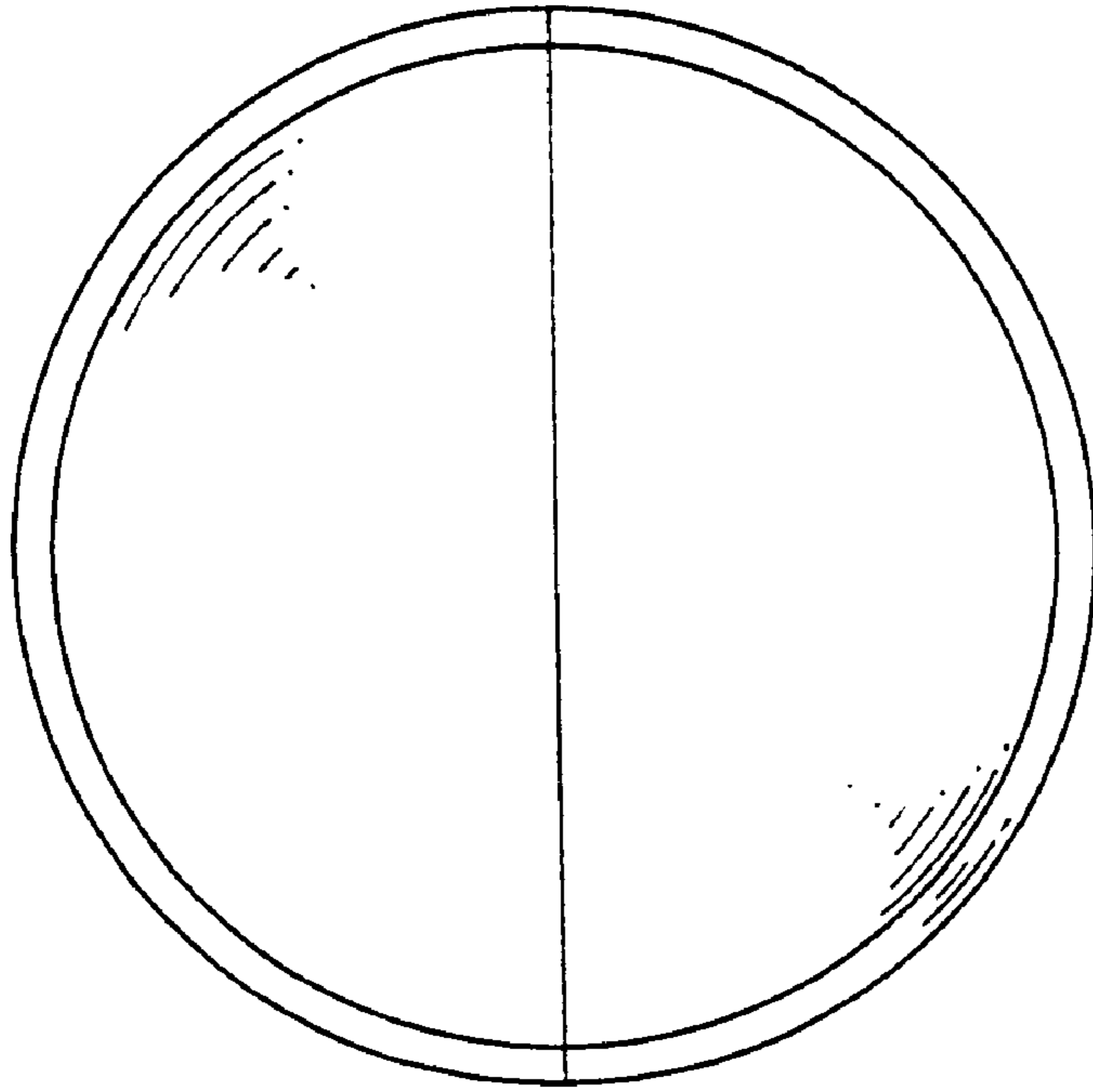


FIG. 6

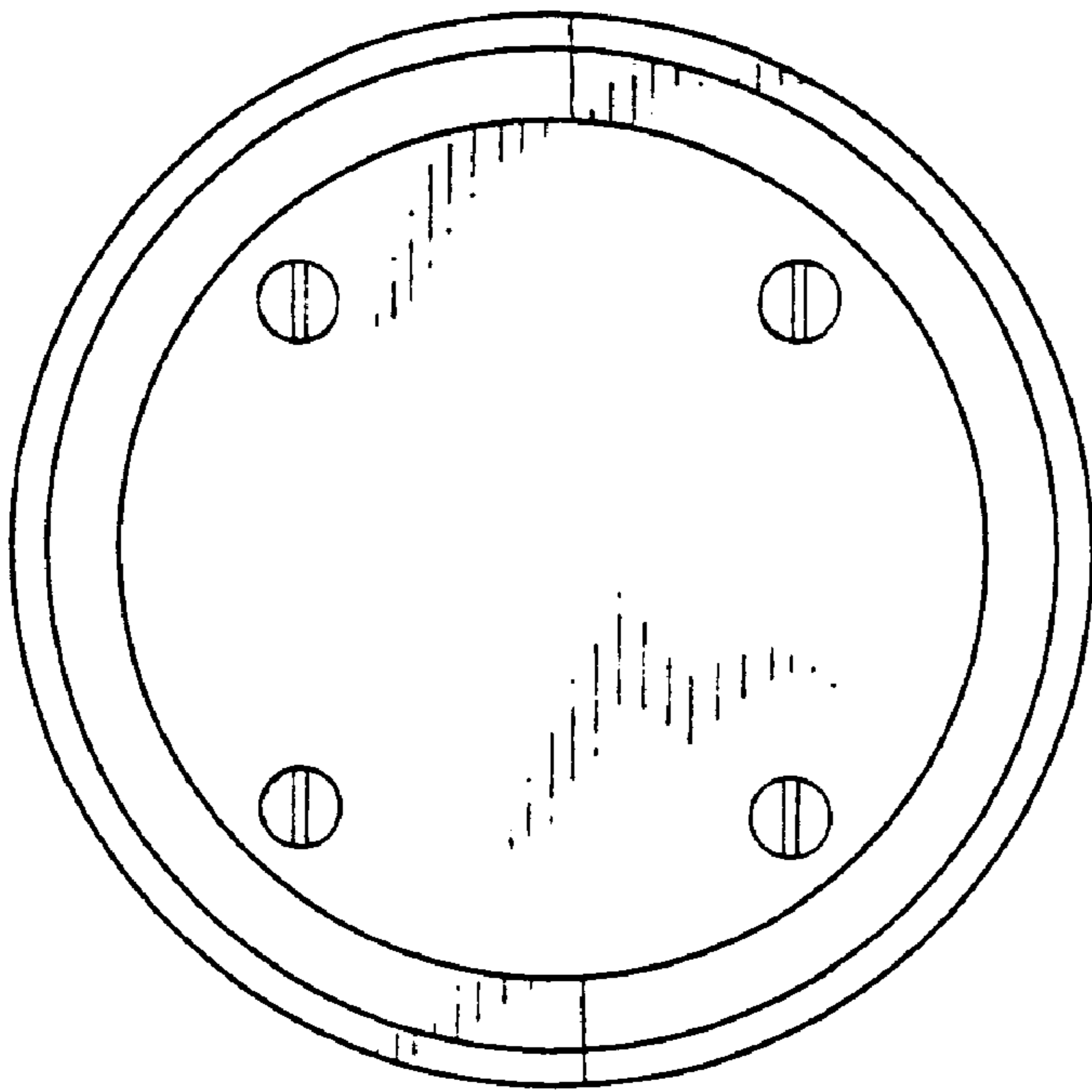


FIG. 7