



US00D416650S

# United States Patent [19] Stevens

[11] Patent Number: Des. 416,650

[45] Date of Patent: \*\* Nov. 16, 1999

[54] **CHILD'S THUMB GUARD**

[76] Inventor: **Kenneth K. Stevens**, 1115 S. Osprey Ave., Sarasota, Fla. 34236

[\*\*] Term: **14 Years**

[21] Appl. No.: **29/094,891**

[22] Filed: **Oct. 13, 1998**

[51] **LOC (6) Cl.** ..... **29-02**

[52] **U.S. Cl.** ..... **D29/113**

[58] **Field of Search** ..... D29/113, 114, D29/117; D2/623, 860-862; D24/105, 190; 2/21, 160, 163, 161.1, 170, 161.6, 159, 162, 16; 128/879-880; 15/227

[56] **References Cited**

**U.S. PATENT DOCUMENTS**

D. 25,050	1/1896	Chatelain	2/162
2,633,126	3/1953	Newmark	D24/190
3,770,270	11/1973	Ingold	2/170
4,524,464	6/1985	Primiano et al.	2/16
4,658,441	4/1987	Smith	2/16
4,894,866	1/1990	Walker	2/161.6
5,010,901	4/1991	Pales	128/880
5,497,510	3/1996	Knowles et al.	2/21

**FOREIGN PATENT DOCUMENTS**

1514327 10/1989 Russian Federation ..... 2/16

*Primary Examiner*—Louis S. Zarfes  
*Assistant Examiner*—Robert A. Delehanty  
*Attorney, Agent, or Firm*—Larson & Larson, PA; James E. Larson

[57] **CLAIM**

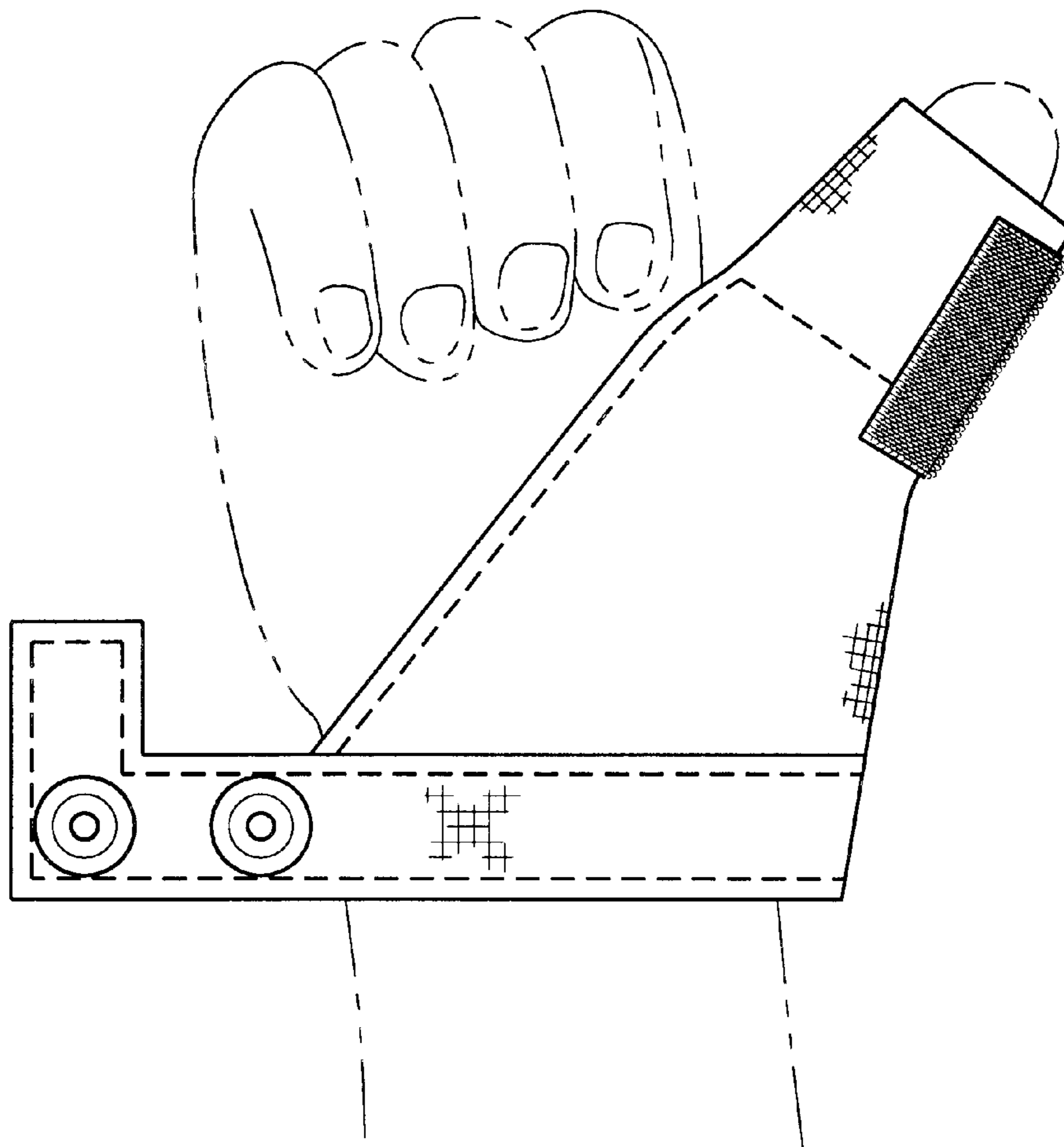
The ornamental design for a child's thumb guard, as shown and described.

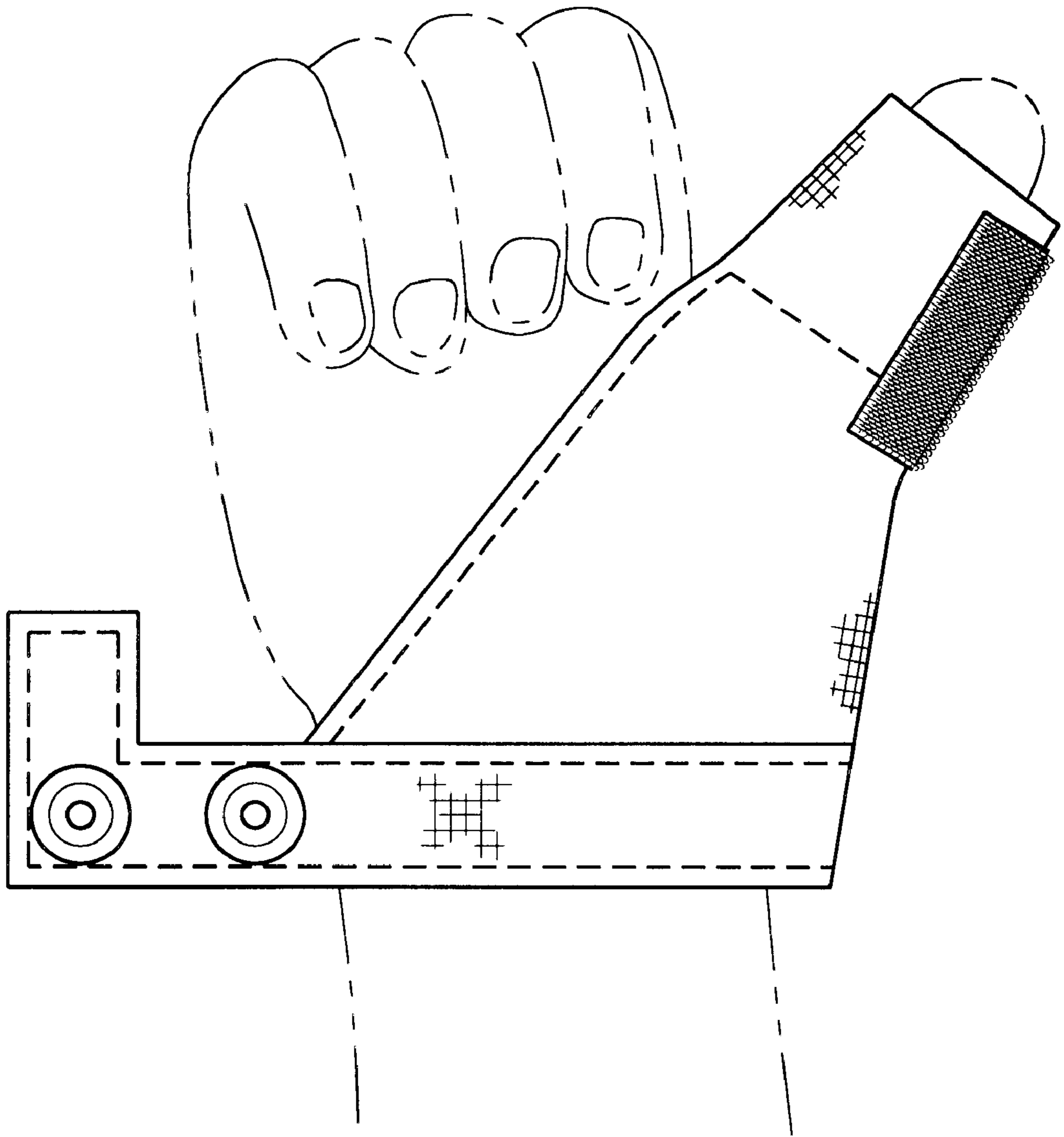
**DESCRIPTION**

FIG. 1 is a first left side elevational view of a child's thumb guard, showing my novel design;  
FIG. 2 is a second left side elevational view thereof;  
FIG. 3 is a right side elevational view thereof;  
FIG. 4 is a bottom plan view thereof;  
FIG. 5 is a top plan view thereof;  
FIG. 6 is a front side view thereof; and,  
FIG. 7 is a back side view thereof.

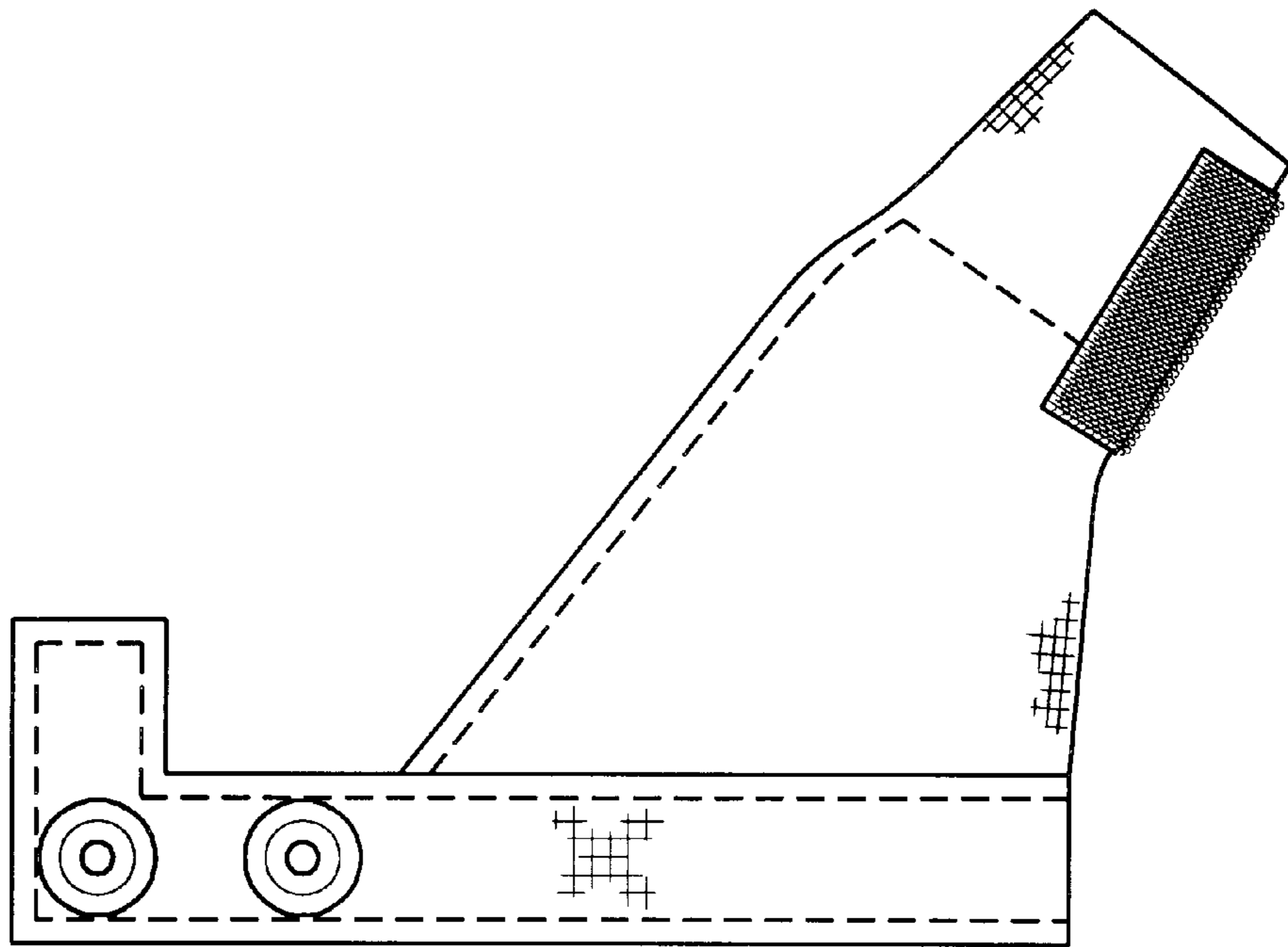
The broken lines shown on the surface of the child's thumb guard is meant to represent stitching. The fragmentary criss cross pattern shown on the the surface of the child's thumb guard represents a fabric material and is understood to be repeated throughout the guard.

**1 Claim, 3 Drawing Sheets**

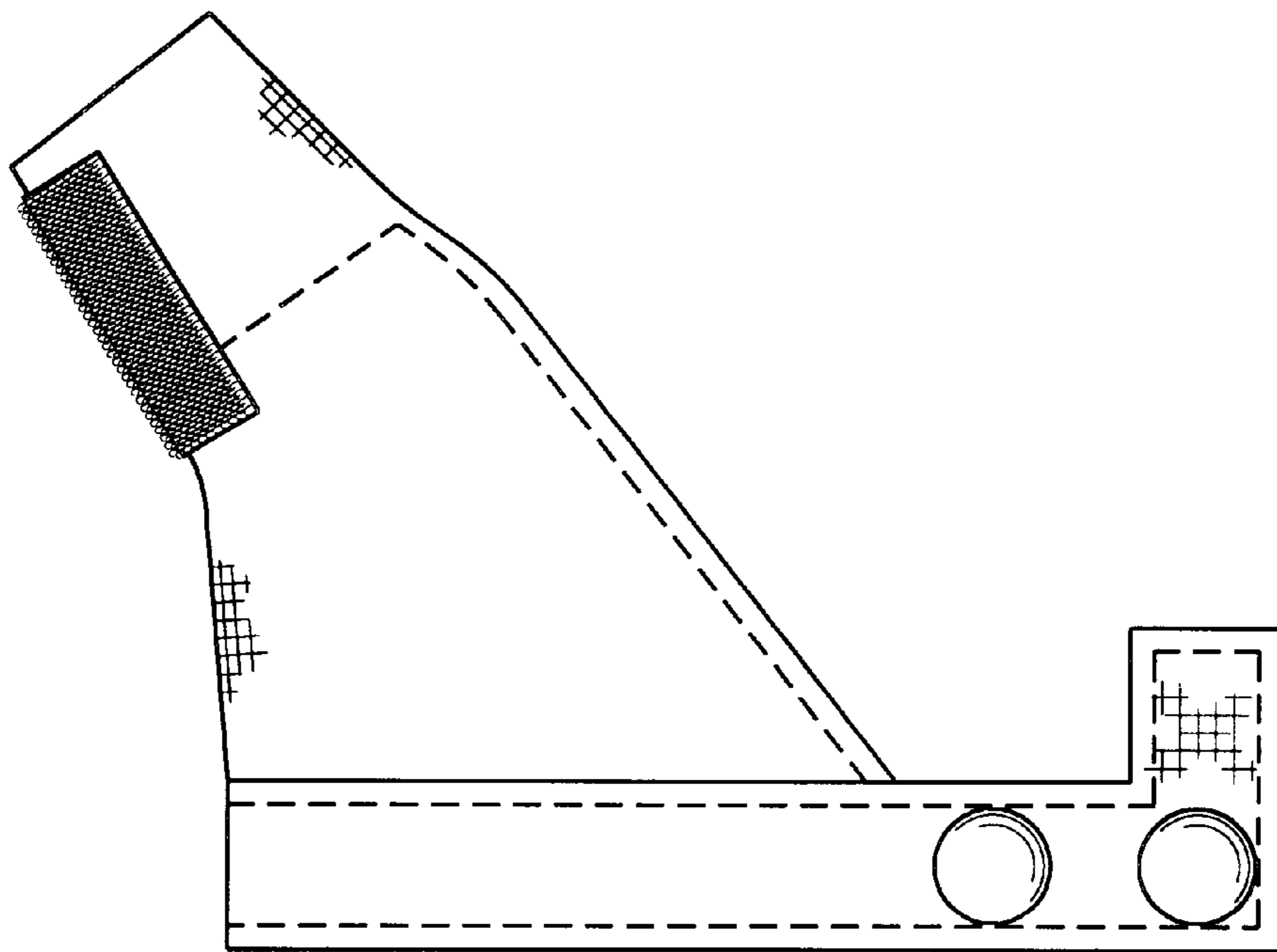




*FIG. 1*



*FIG. 2*



*FIG. 3*

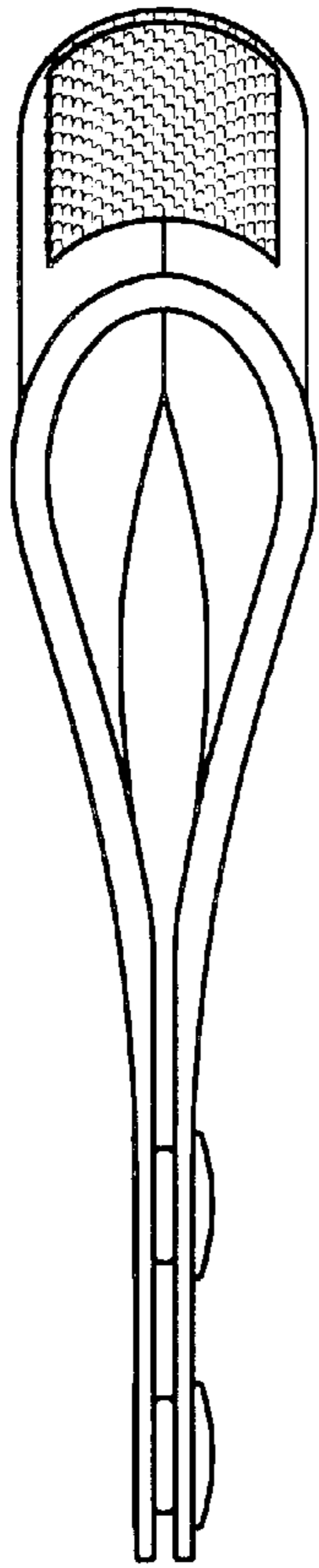


FIG. 4

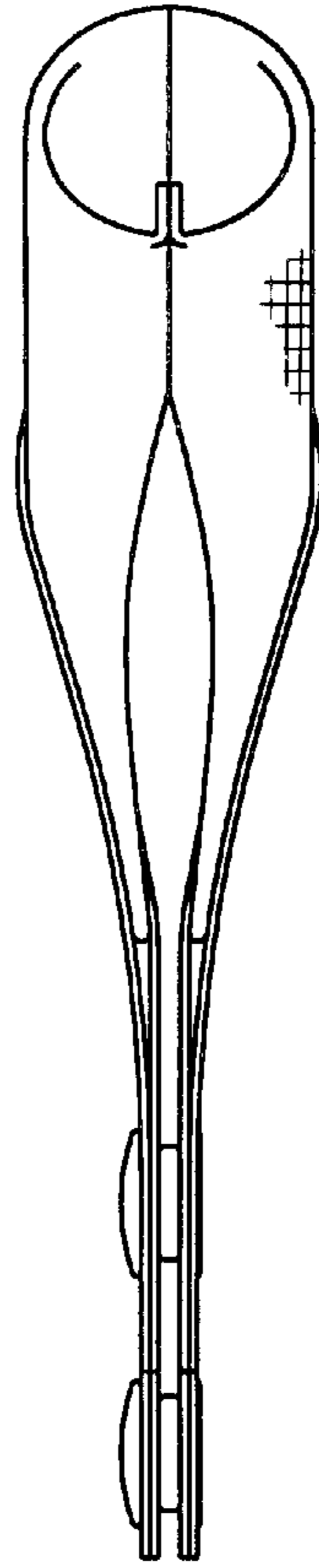


FIG. 5

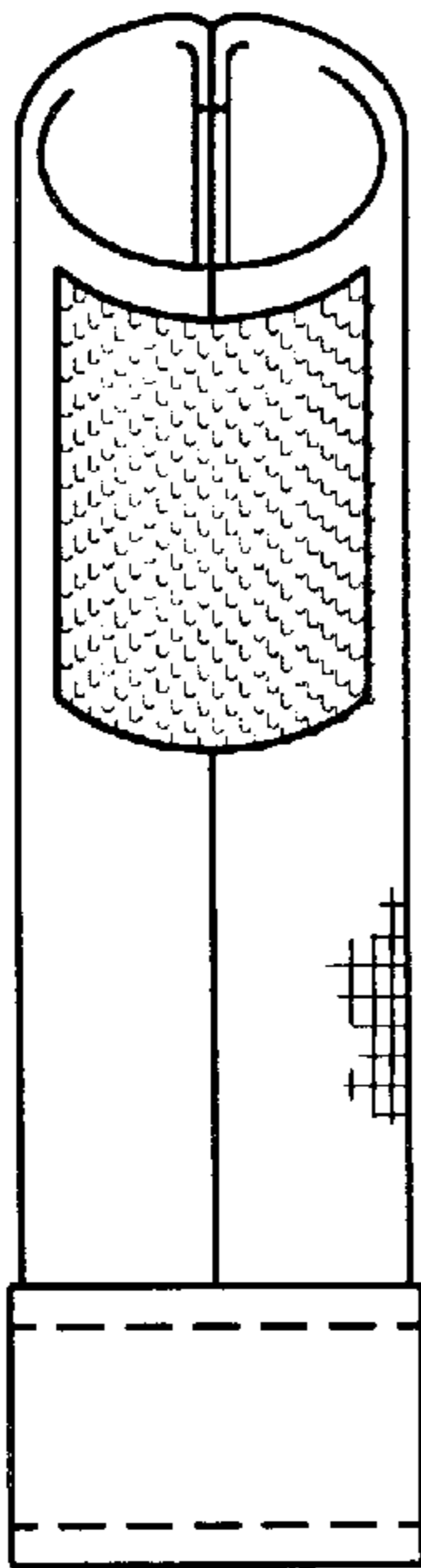


FIG. 6

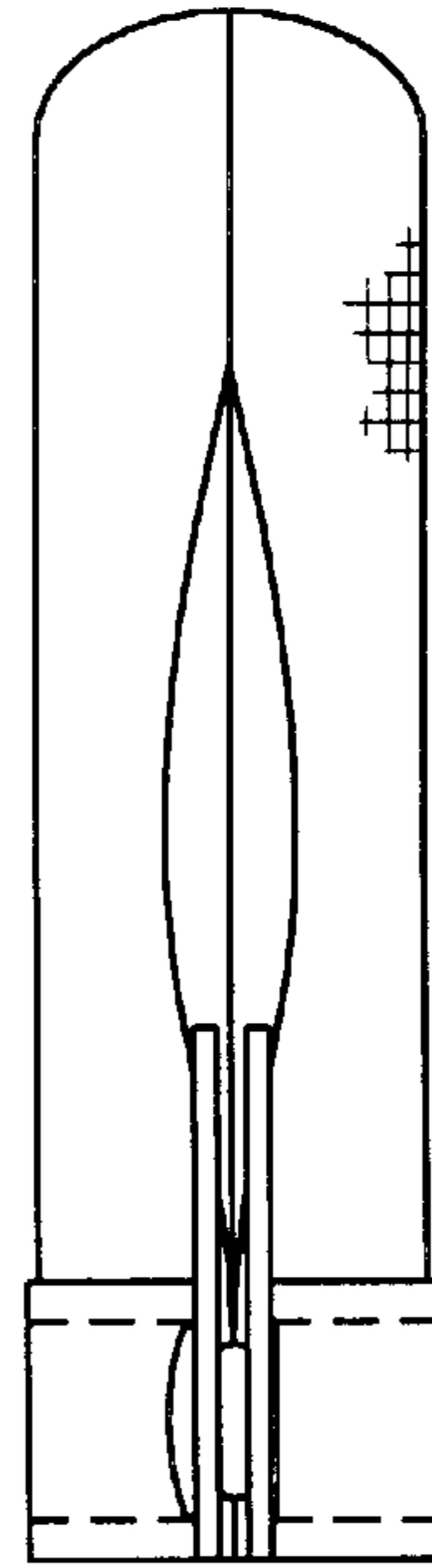


FIG. 7