



US00D416649S

United States Patent [19]

[11] **Patent Number: Des. 416,649**

Burns et al.

[45] **Date of Patent: ** Nov. 16, 1999**

[54] **FACE SHIELD WITH PROTECTIVE LENS**

5,086,515 2/1992 Giuliano 2/8
5,410,757 5/1995 Vienamo et al. 2/9

[75] Inventors: **James A. Burns**, Lake Elmo; **William J. Swanson**, St. Paul, both of Minn.

OTHER PUBLICATIONS

[73] Assignee: **3M Innovative Properties Company**, St. Paul, Minn.

“Powered Respirators” *Racal Health & Safety*, 6 page brochure, 1993.

[**] Term: **14 Years**

“3M Positive Pressure Respirators” Minnesota Mining and Manufacturing Company, 37 page brochure, Jun., 1998.

[21] Appl. No.: **29/084,862**

Primary Examiner—Ruth McInroy
Attorney, Agent, or Firm—Micheale A. Hakamaki

[22] Filed: **Mar. 10, 1998**

[57] CLAIM

[51] **LOC (6) Cl.** **29-02**

The ornamental design for a face shield with protective lens, as shown and described.

[52] **U.S. Cl.** **D29/110**

[58] **Field of Search** D29/102–111,
D29/122; 2/411, 412, 414, 417, 418, 421,
423, 425, 10, 9, 424, 6.3, 6.5, 6.7, 15, 455,
441

DESCRIPTION

[56] References Cited

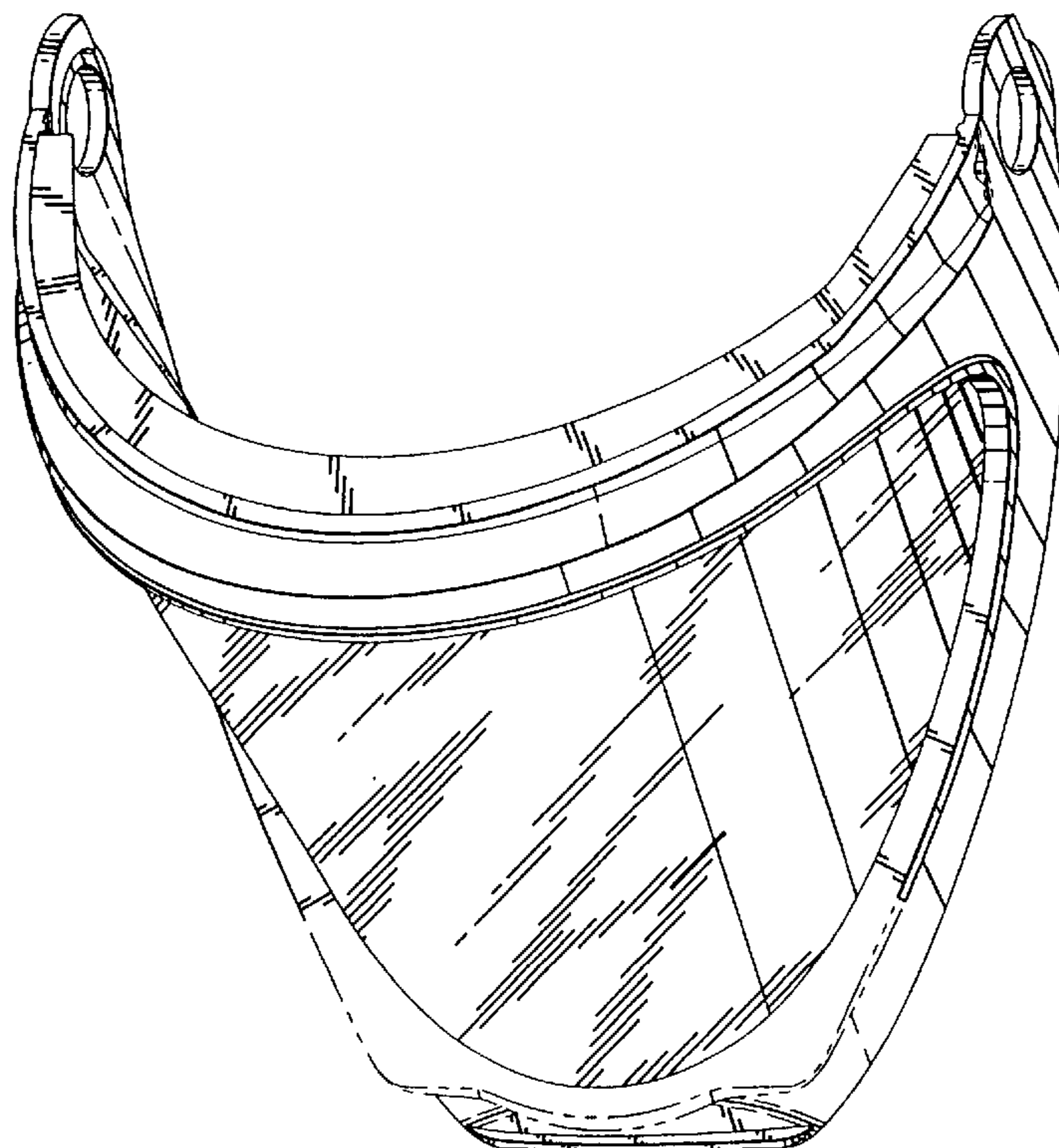
U.S. PATENT DOCUMENTS

D. 200,757	4/1965	Hiatt et al. .	
D. 213,303	2/1969	Jones .	
D. 214,013	5/1969	Jones .	
D. 228,700	10/1973	Gager, Jr. .	
D. 370,310	5/1996	Reuber et al.	D29/110
D. 376,674	12/1996	Kamata	D29/107
D. 392,073	3/1998	Lashley	D29/122
D. 397,519	8/1998	Crupi et al.	D29/107
4,097,929	7/1978	Lowe et al.	2/10
4,354,285	10/1982	Rudd	2/424
4,536,892	8/1985	Brinkhoff et al.	2/424
4,748,695	6/1988	Shigematsu et al.	2/424
4,856,109	8/1989	Desy et al.	2/9

FIG. 1 is an isometric view of a face shield with protective lens showing our new design;
FIG. 2 is a front view of the face shield illustrated in FIG. 1;
FIG. 3 is a top plan view of the face shield illustrated in FIG. 1;
FIG. 4 is bottom plan view of the face shield illustrated in FIG. 1;
FIG. 5 is a rear view of the face shield illustrated in FIG. 1; and,
FIG. 6 is a left side view of the face shield illustrated in FIG. 1, the right side view being the mirror image thereof.

The portion of the drawings shown in broken lines is for illustrative purposes and forms no part of the claimed design.

1 Claim, 3 Drawing Sheets



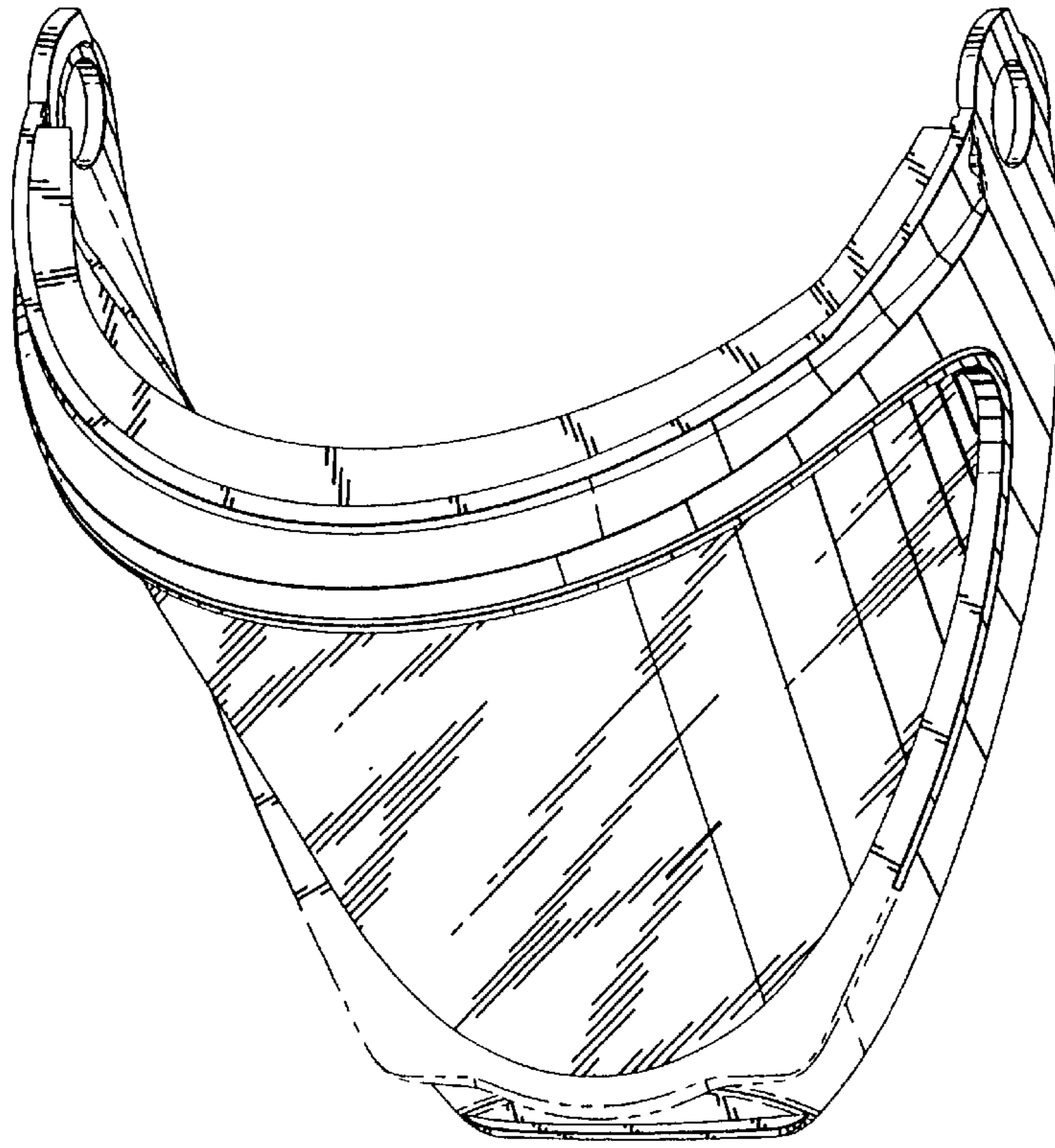


Fig. 1

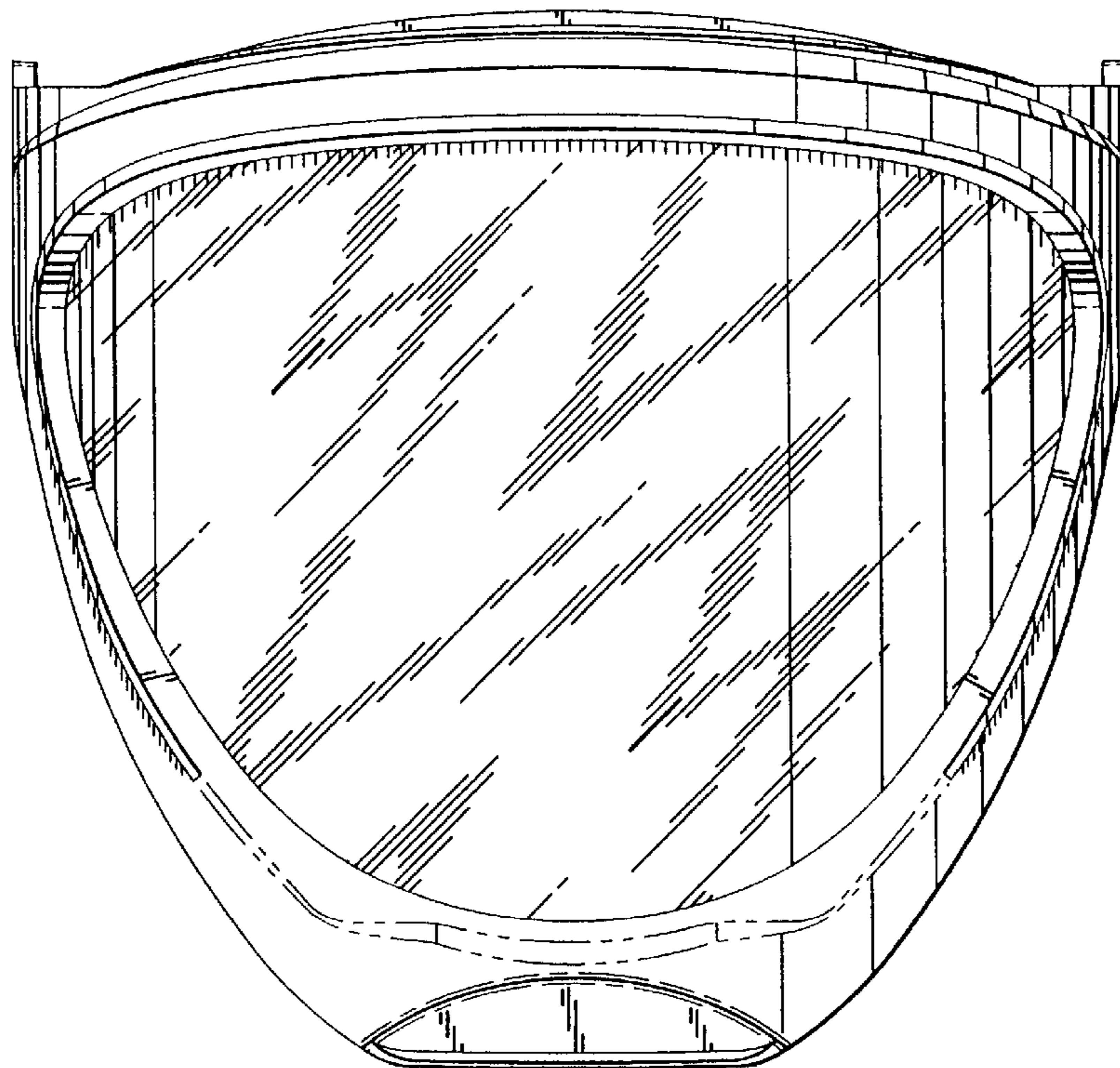


Fig. 2

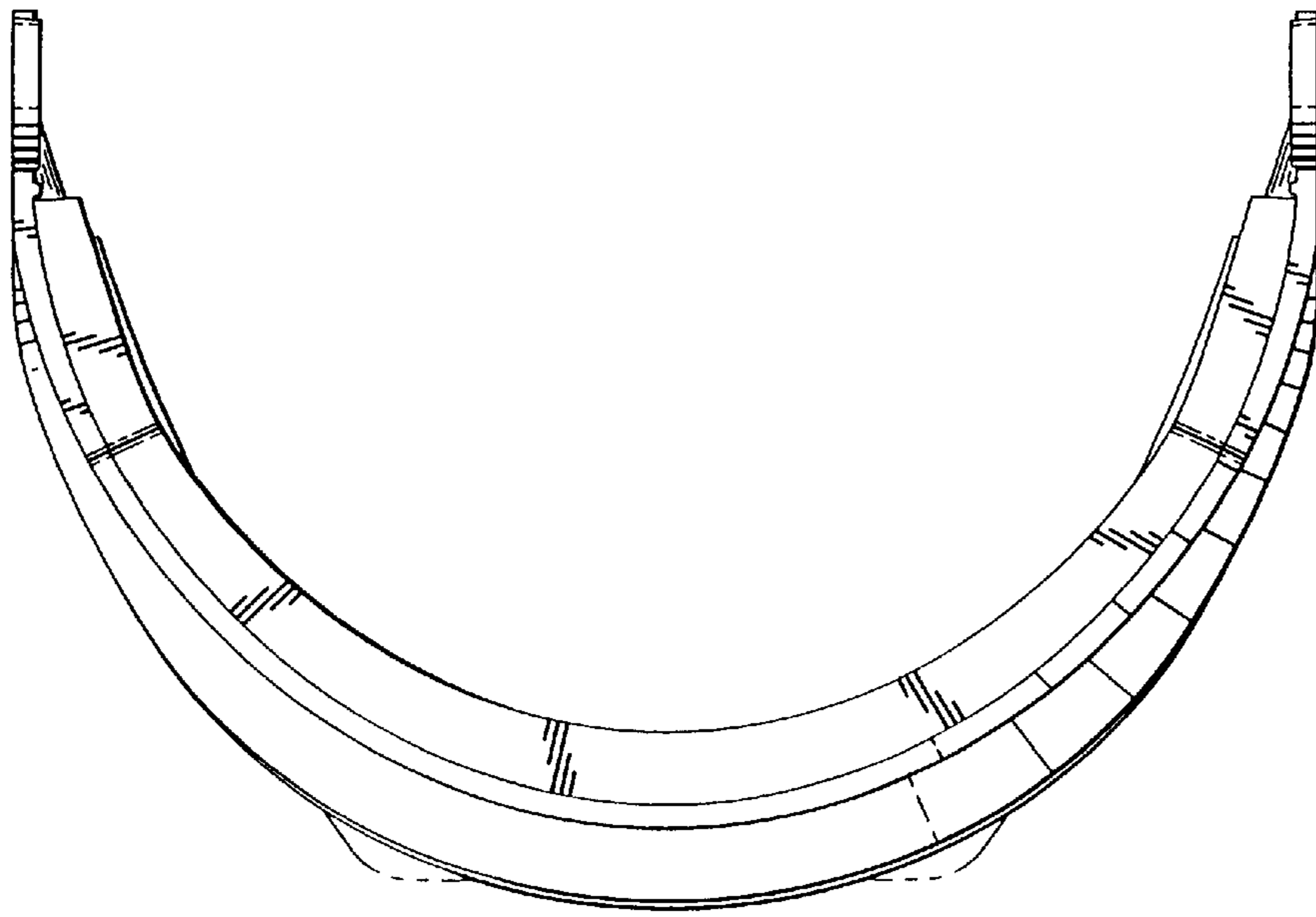


Fig. 3

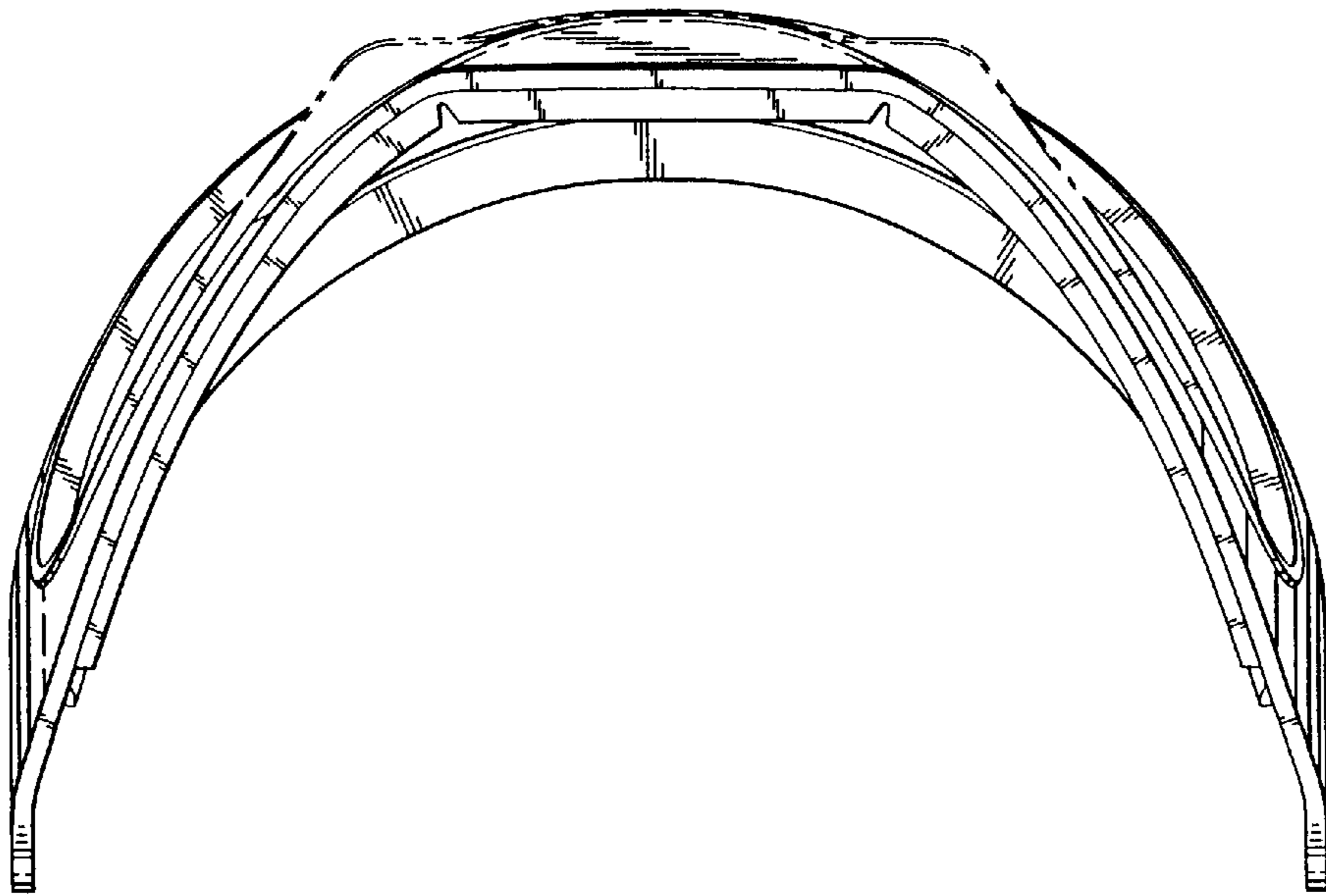


Fig. 4

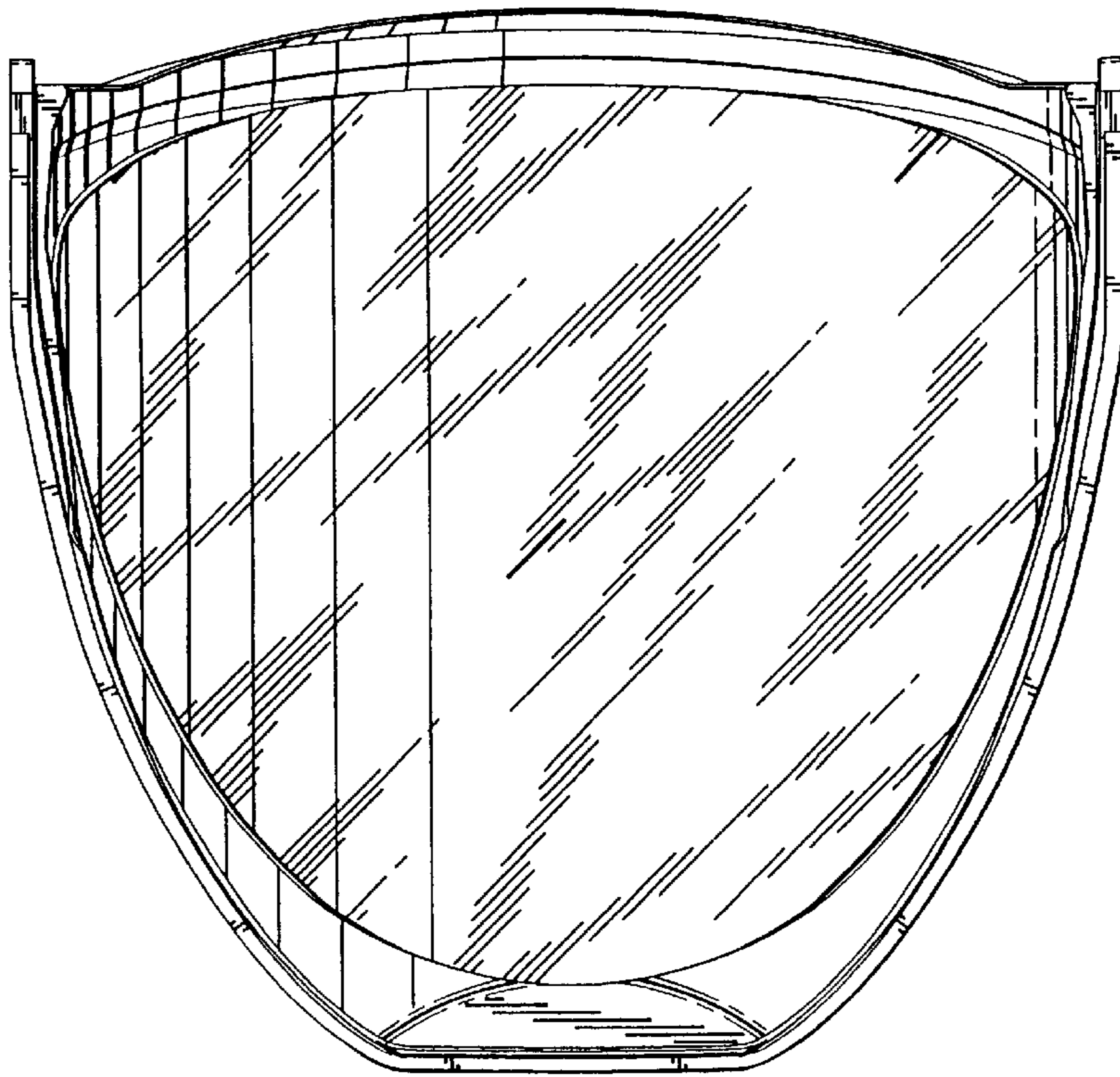


Fig. 5

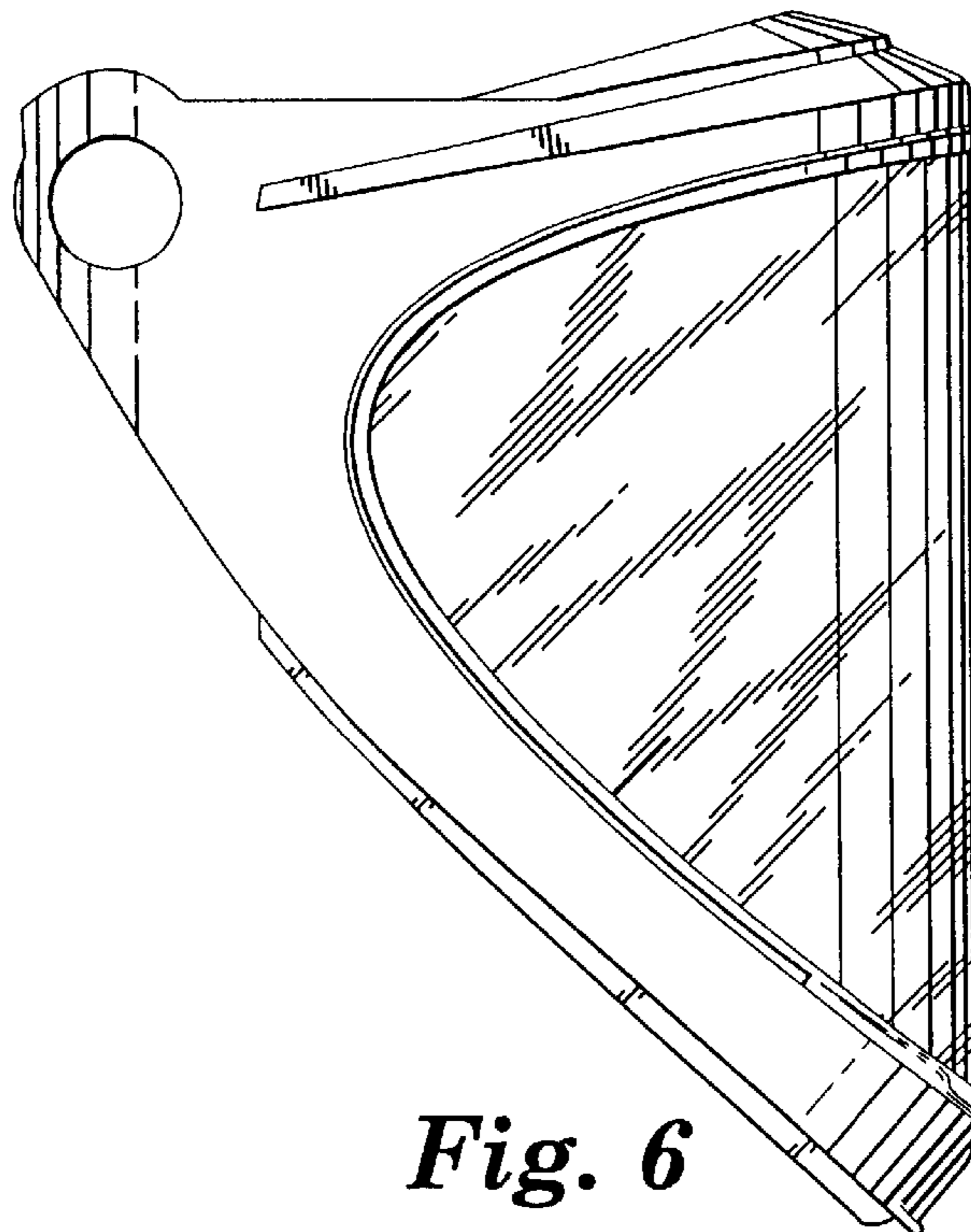


Fig. 6

UNITED STATES PATENT AND TRADEMARK OFFICE
CERTIFICATE OF CORRECTION

PATENT NO. : Des. 416,649
DATED : November 16, 1999
INVENTOR(S) : James A. Burns and William J. Swanson

Page 1 of 1

It is certified that error appears in the above-identified patent and that said Letters Patent is hereby corrected as shown below:

Title Page:

Specification, Description, Fig. 6, please delete "forms no part of the claimed design" and insert therefore --is not intended to form part of the claimed design--.

Signed and Sealed this

Tenth Day of July, 2001

Nicholas P. Godici

Attest:

Attesting Officer

NICHOLAS P. GODICI

Acting Director of the United States Patent and Trademark Office