



US00D416648S

# United States Patent [19] Letherby et al.

[11] **Patent Number: Des. 416,648**

[45] **Date of Patent: \*\* Nov. 16, 1999**

[54] **MANICURE/PEDICURE TOOL**

5,596,786 1/1997 Kluiters ..... 14/244.1

[75] Inventors: **Anne M. Letherby**, Grand Rapids;  
**Lawrence D. Gaynor**, Bloomfield, both  
of Mich.

### FOREIGN PATENT DOCUMENTS

816026 7/1937 France ..... 451/524  
457585 3/1975 U.S.S.R. .... 451/540

[73] Assignee: **Nailco, Inc.**, Farmington Hills, Mich.

*Primary Examiner*—Ted Shooman  
*Assistant Examiner*—C. Tuttle  
*Attorney, Agent, or Firm*—Dykema Gossett PLLC

[\*\*] Term: **14 Years**

[21] Appl. No.: **29/092,352**

### [57] CLAIM

[22] Filed: **Aug. 17, 1998**

The ornamental design for a manicure/pedicure tool, as shown and described.

[51] **LOC (6) Cl.** ..... **28-03**

[52] **U.S. Cl.** ..... **D28/59**

[58] **Field of Search** ..... D28/56, 57, 59;  
132/73, 73.5, 75, 76.2, 76.4, 76.5; 451/522-526,  
540, 557, 490

### DESCRIPTION

### [56] References Cited

#### U.S. PATENT DOCUMENTS

7,400	11/1850	Higgins	15/231
D. 257,541	11/1980	Fox et al.	D28/59
D. 262,147	12/1981	Sussman	D28/59
D. 360,121	7/1995	Anderson	D8/90
D. 369,438	4/1996	Resler	D28/59
817,766	4/1906	Hames	15/118
1,829,338	10/1931	Bynum	132/76.5
2,229,726	1/1941	Cocozella	451/490
2,505,295	4/1950	Meyers	401/37 X
2,838,057	6/1958	Smith	132/76.4
4,366,828	1/1983	Hokama	132/75.6
4,757,571	7/1988	Young	15/167.3

FIG. 1 is a perspective view of a manicure/pedicure tool showing my new design.

FIG. 2 is an end view of the manicure/pedicure tool shown in FIG. 1 both ends appearing the same.

FIG. 3 is a side view seen from the left of FIG. 2, the views of the upper right and lower right sides of FIG. 2 being the same as the side shown;

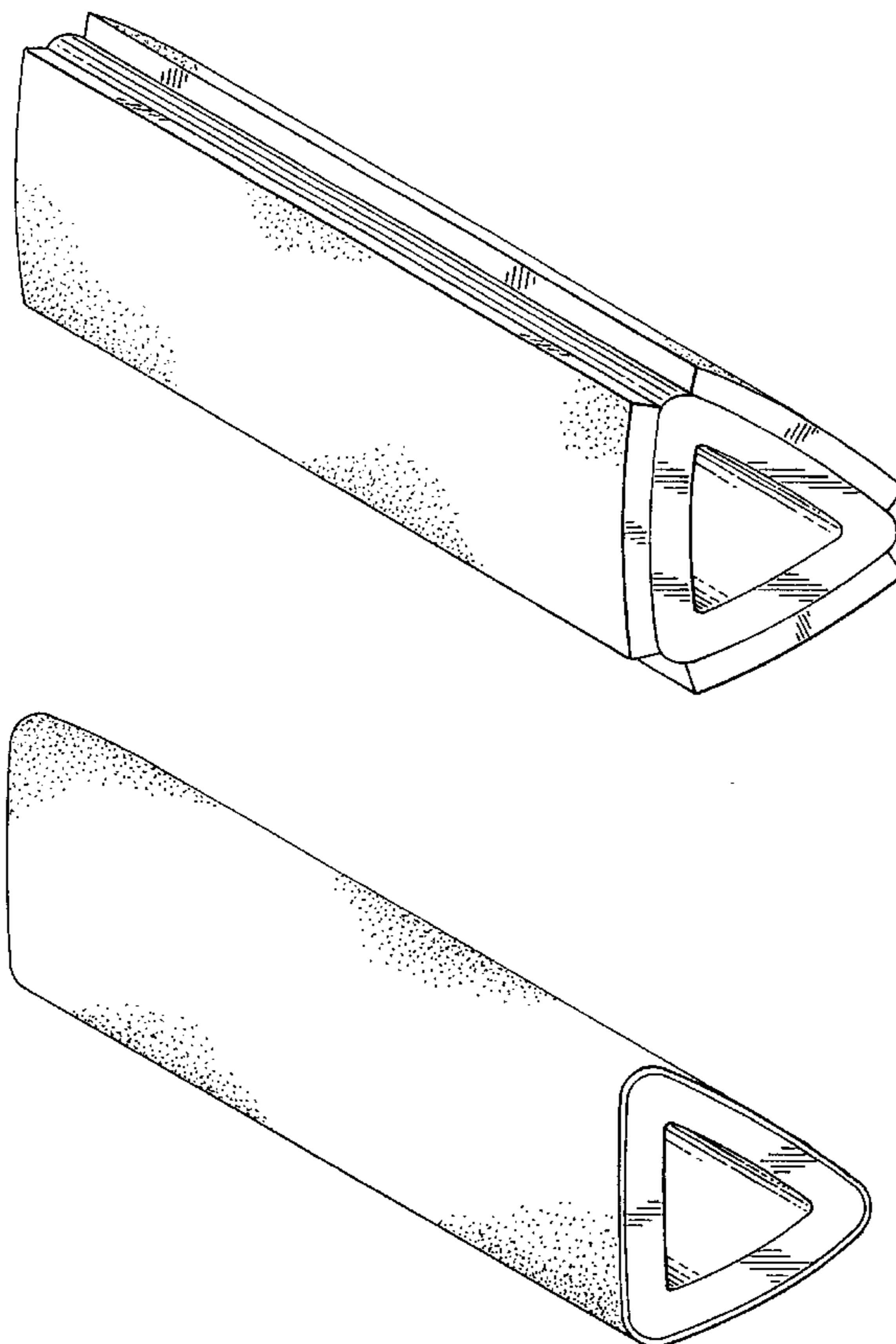
FIG. 4 is a perspective view of a manicure/pedicure tool showing a second embodiment of my new design.

FIG. 5 is a side view seen from the left of FIG. 4, the views of the upper right and lower right sides of FIG. 4 being the same as the side shown; and,

FIG. 6 is an end view of the manicure/pedicure tool shown in FIG. 4 both ends appearing the same.

The appearance within the unshaded area of FIGS. 1, 2, 4 and 6 forms no part of the claimed design.

**1 Claim, 2 Drawing Sheets**



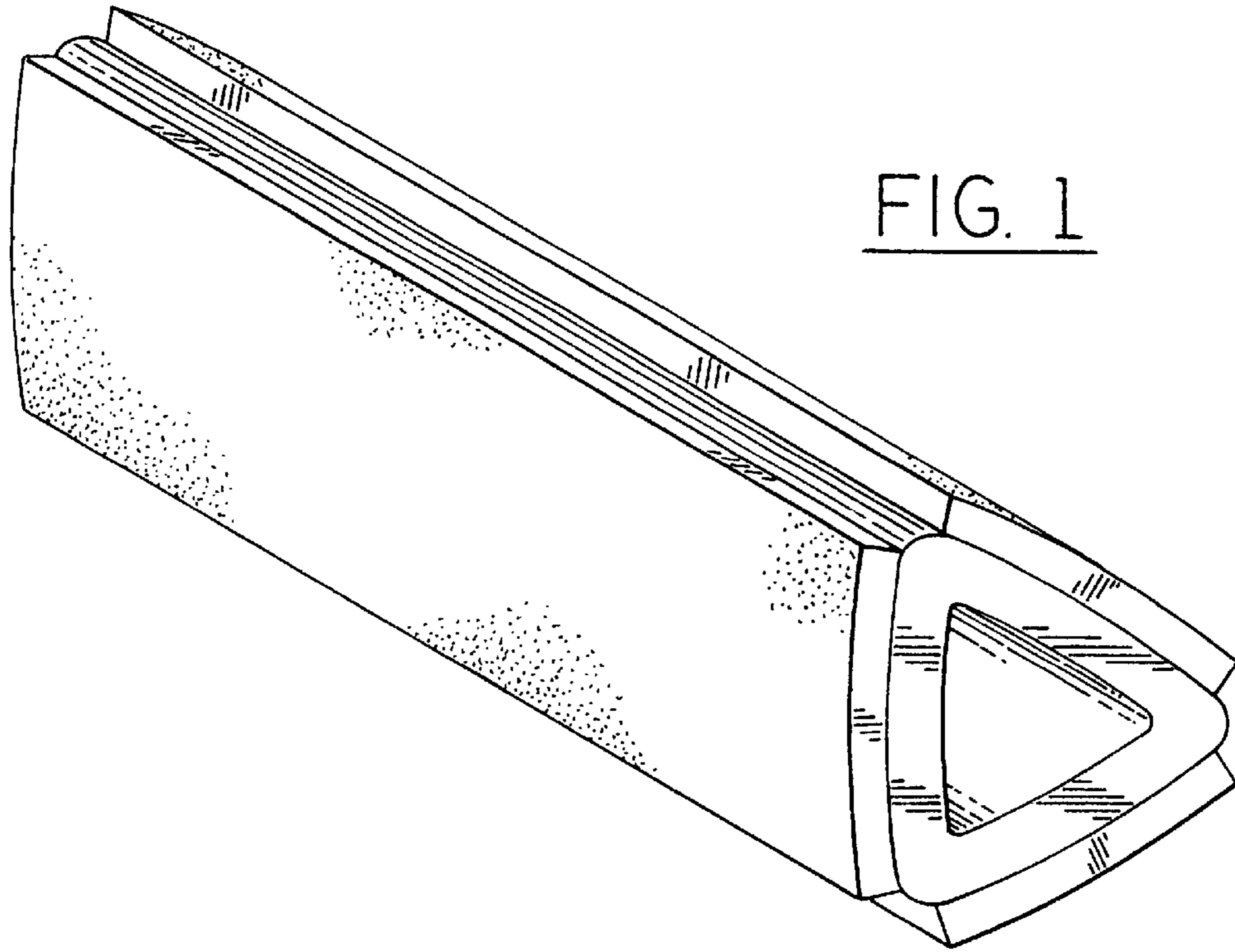


FIG. 1

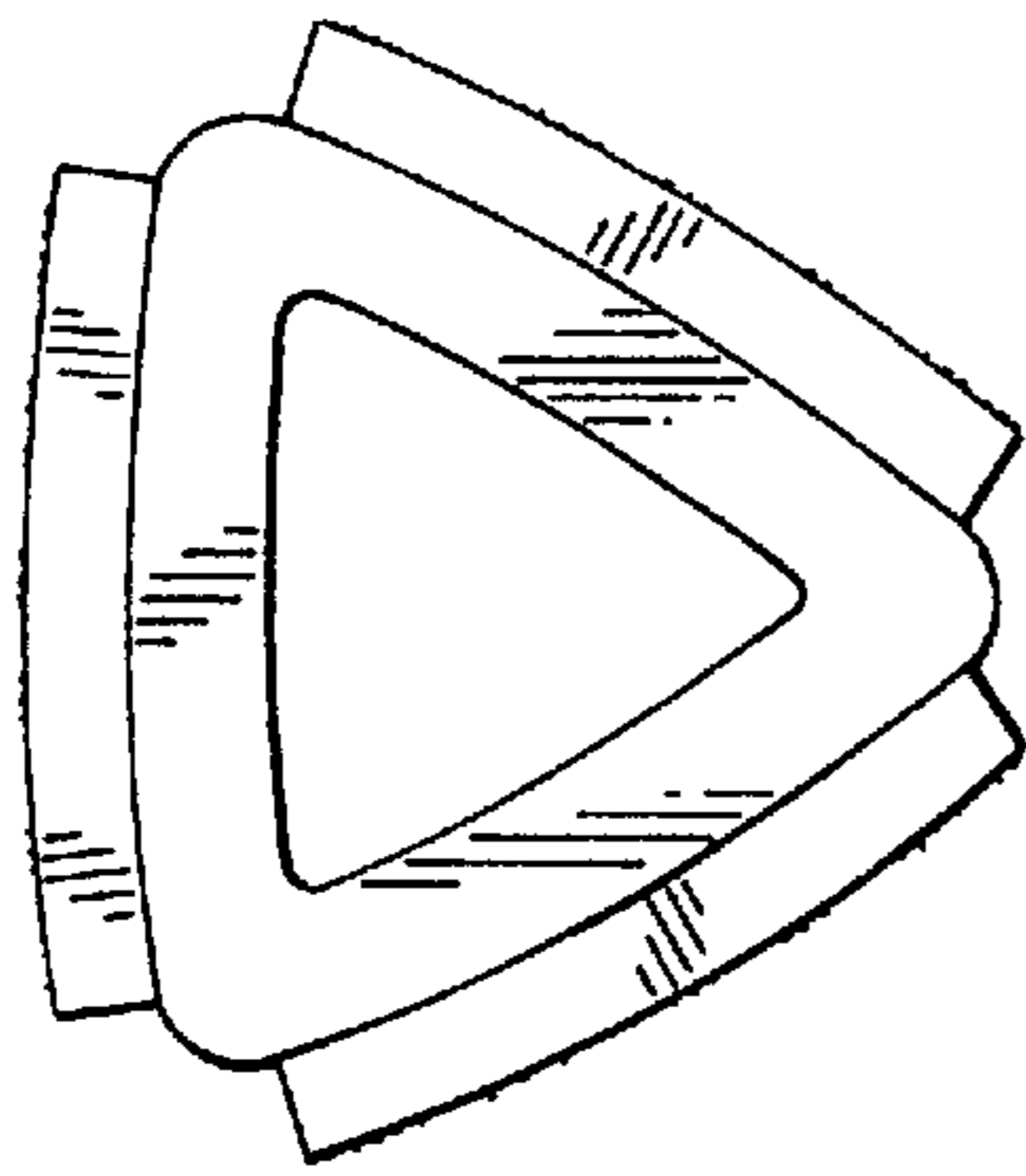


FIG. 2

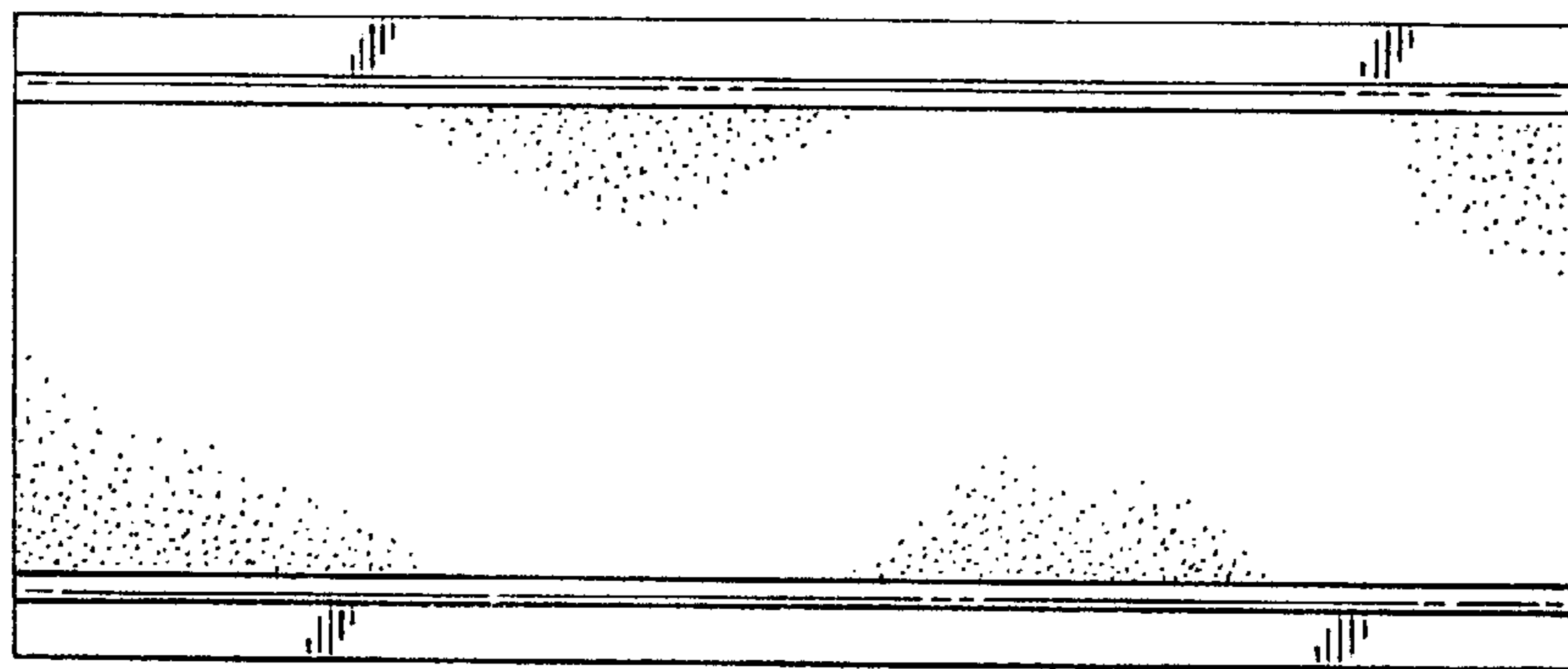


FIG. 3

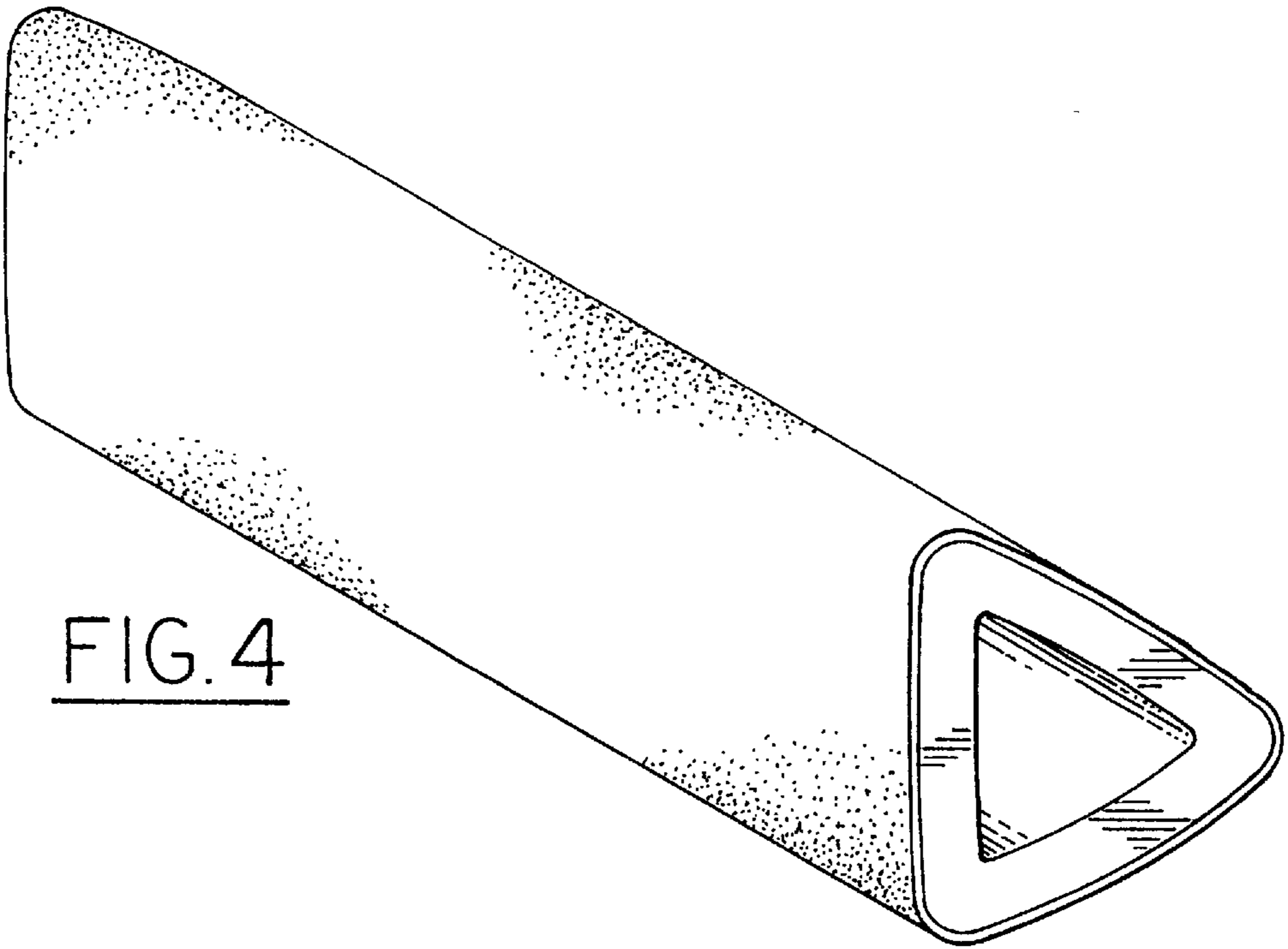


FIG. 4

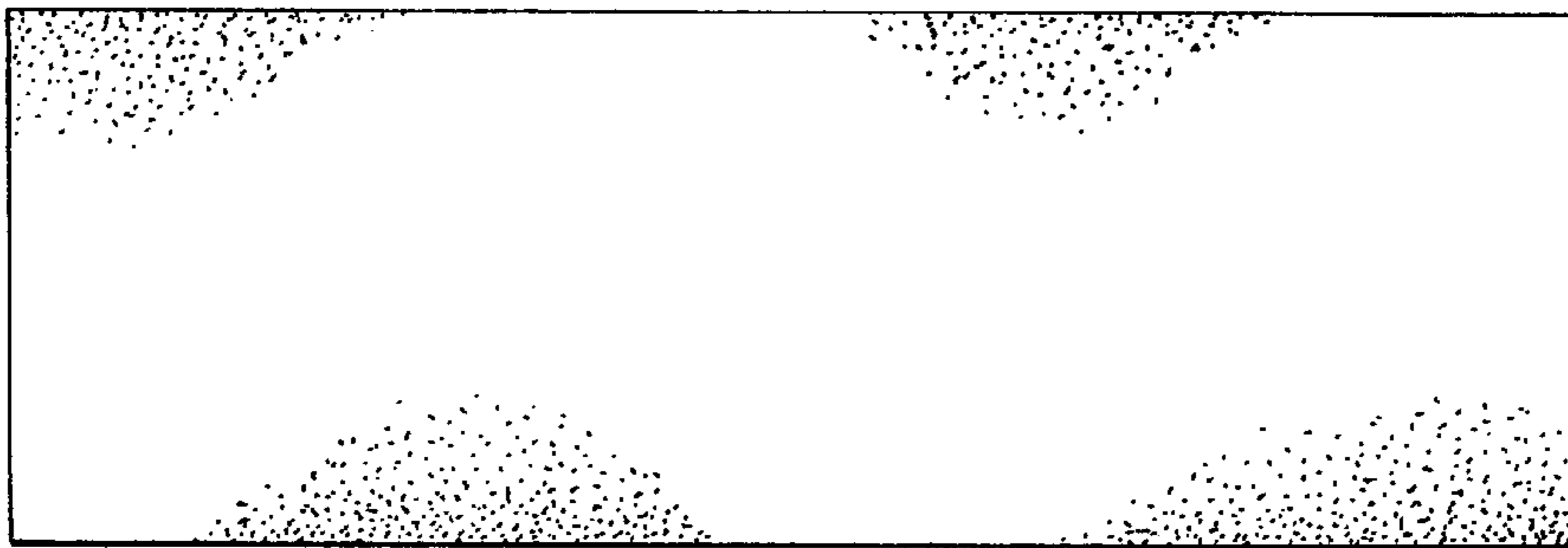


FIG. 5

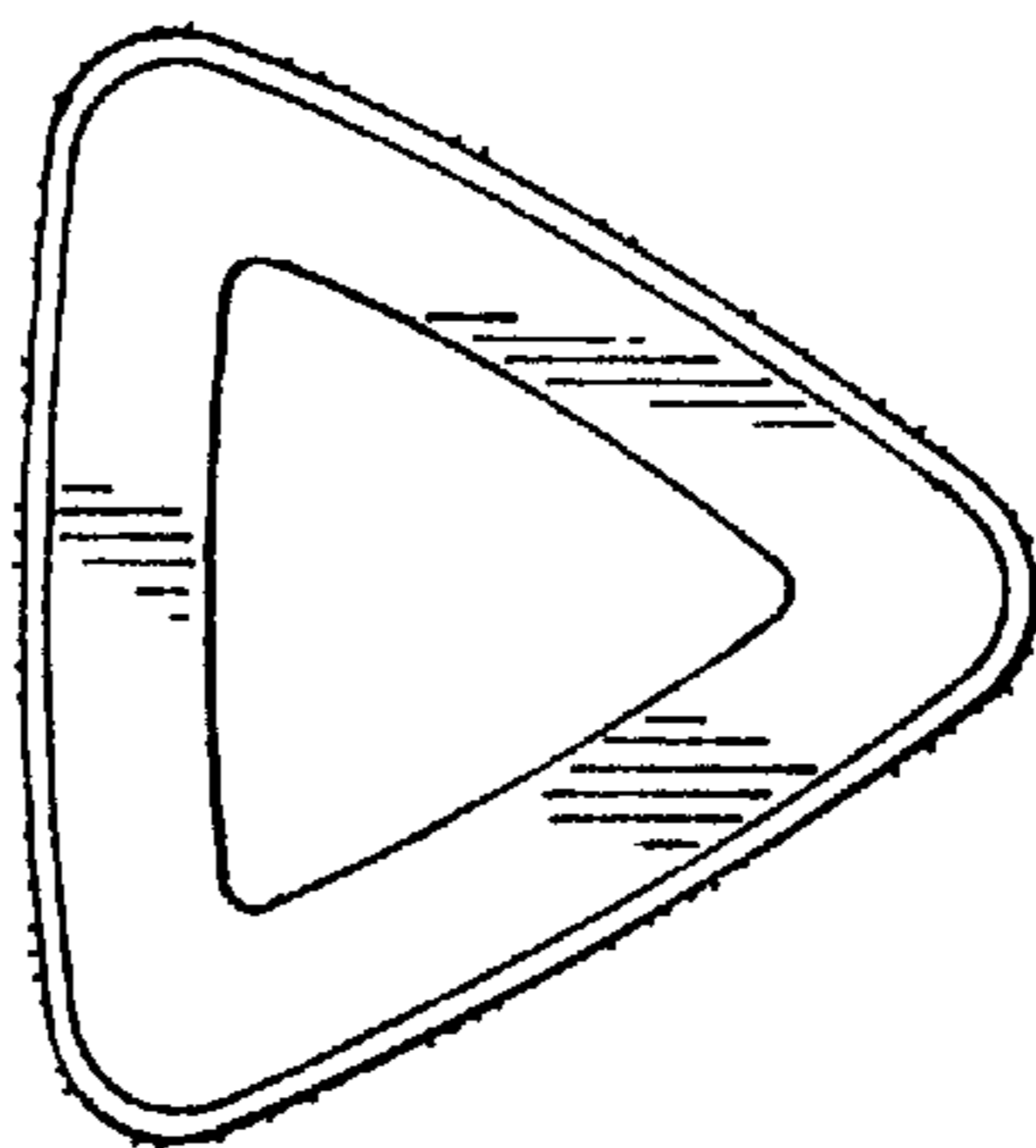


FIG. 6