



US00D416644S

United States Patent [19] Swope

[11] Patent Number: **Des. 416,644**

[45] Date of Patent: **** Nov. 16, 1999**

[54] LAMP BASE

5,297,013 3/1994 Hall et al. .
5,526,243 6/1996 Masters .

[76] Inventor: **Karl T. Swope**, 2130 Kinney La.,
Reno, Nev. 89511

OTHER PUBLICATIONS

[**] Term: **14 Years**

Plume and Atwood Mfg. Co. light fixture catalog, p. 8,
square fixture part #2460, Jan. 1912.

[21] Appl. No.: **29/095,457**

Primary Examiner—Susan J. Lucas
Attorney, Agent, or Firm—Ian F. Burns

[22] Filed: **Oct. 23, 1998**

[51] LOC (6) Cl. **29-99**

[52] U.S. Cl. **D26/142**

[58] Field of Search D26/145, 142,
D26/144, 149, 151, 153, 154, 155, 72,
80-92, 67-71; 362/431

[57] CLAIM

I claim the ornamental design for a lamp base, as shown and described.

[56] References Cited

U.S. PATENT DOCUMENTS

- D. 84,914 8/1931 Allen D26/151
- D. 312,889 12/1990 Swadell .
- D. 333,189 2/1993 Hall et al. .
- 4,523,263 6/1985 Poyer .
- 4,951,184 8/1990 Makurof .
- 5,280,417 1/1994 Hall et al. .

DESCRIPTION

FIG. 1 is a perspective view of the lamp base.
FIG. 2 is a front elevational view of the lamp base, the rear,
left side, and right side elevational views being identical.
FIG. 3 is a top plan view of the lamp base; and,
FIG. 4 is a bottom plan view of the lamp base.
Broken lines illustrate features or environmental compo-
nents that are not part of the design sought to be patented.

1 Claim, 2 Drawing Sheets

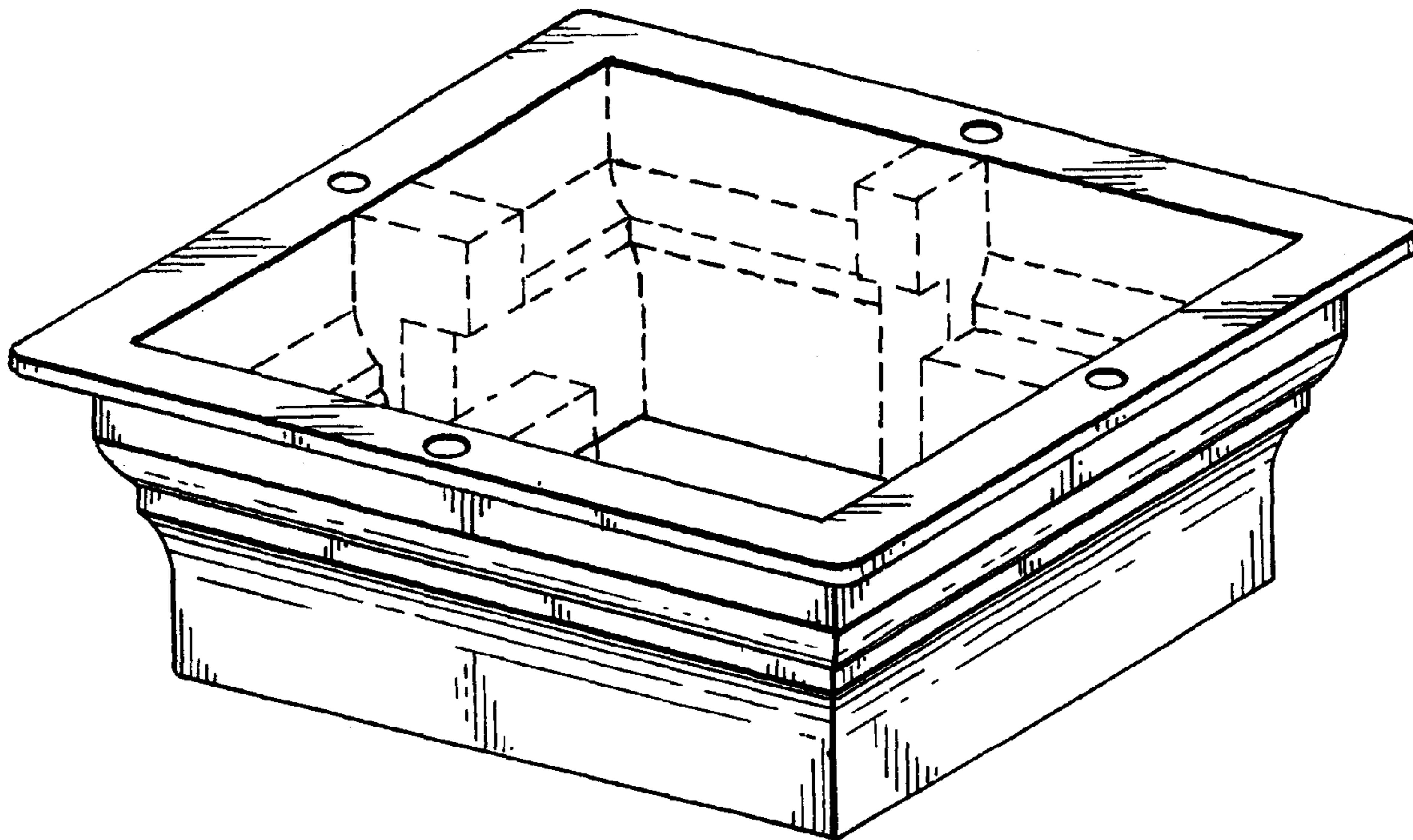


FIG. 1

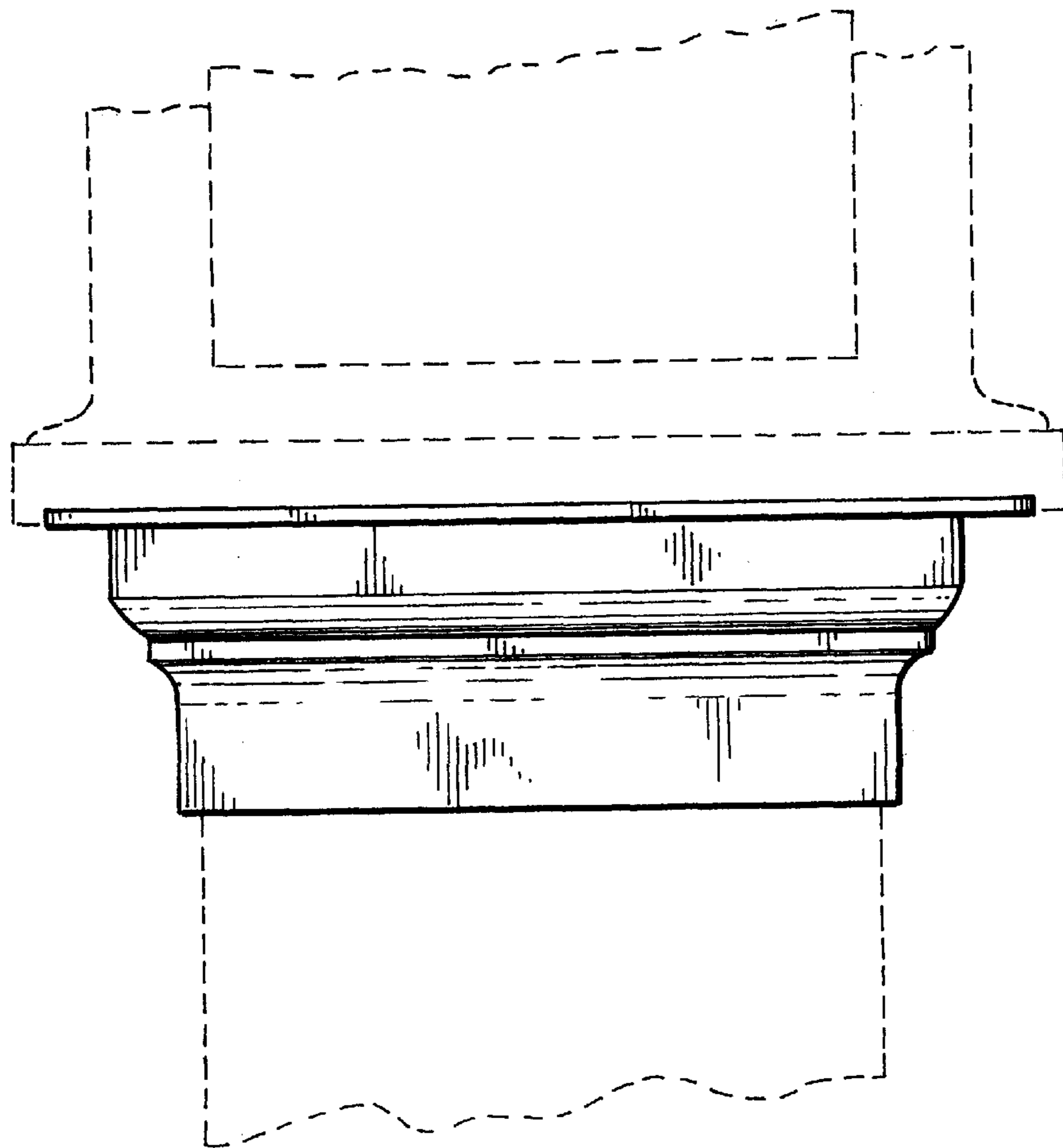
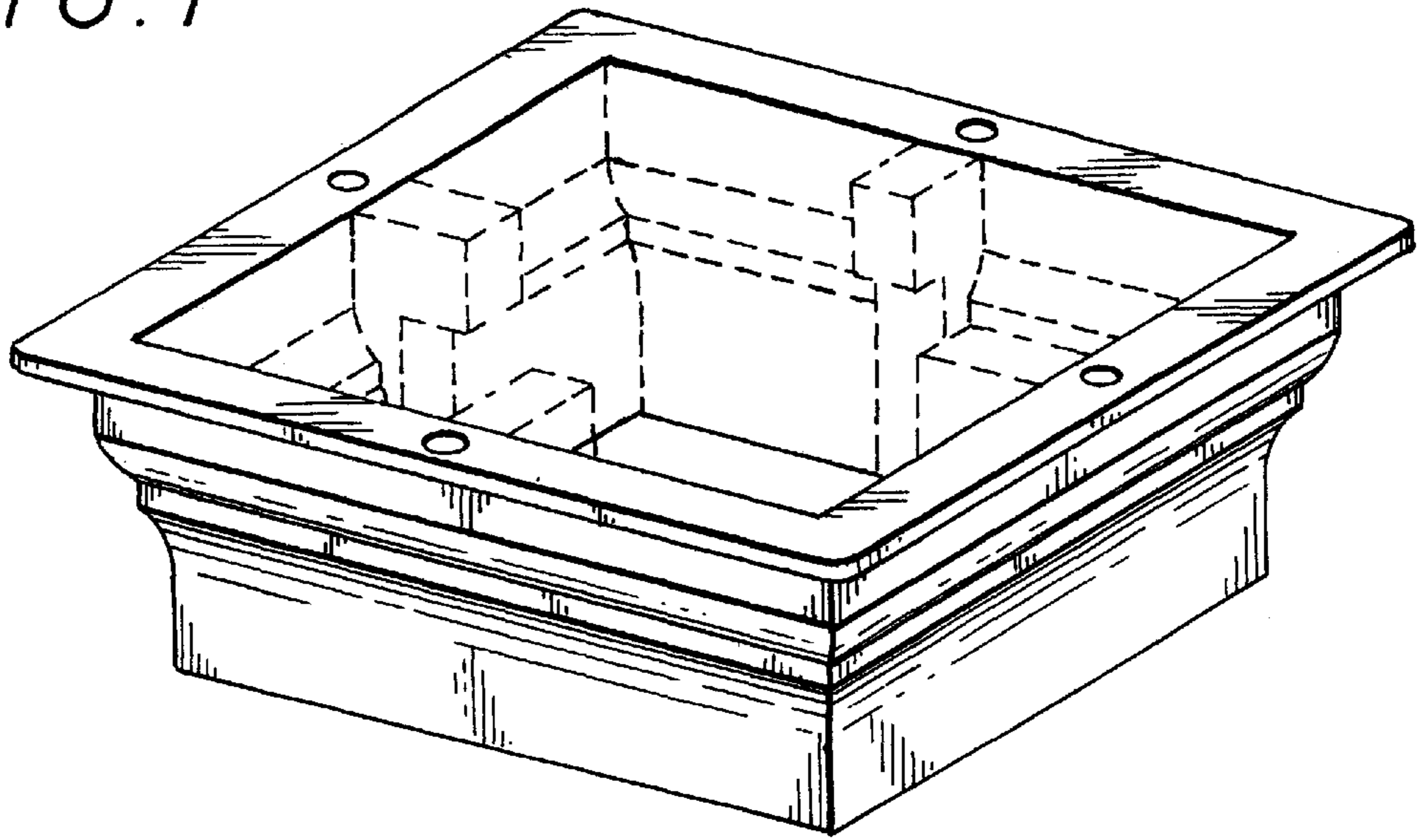


FIG. 2

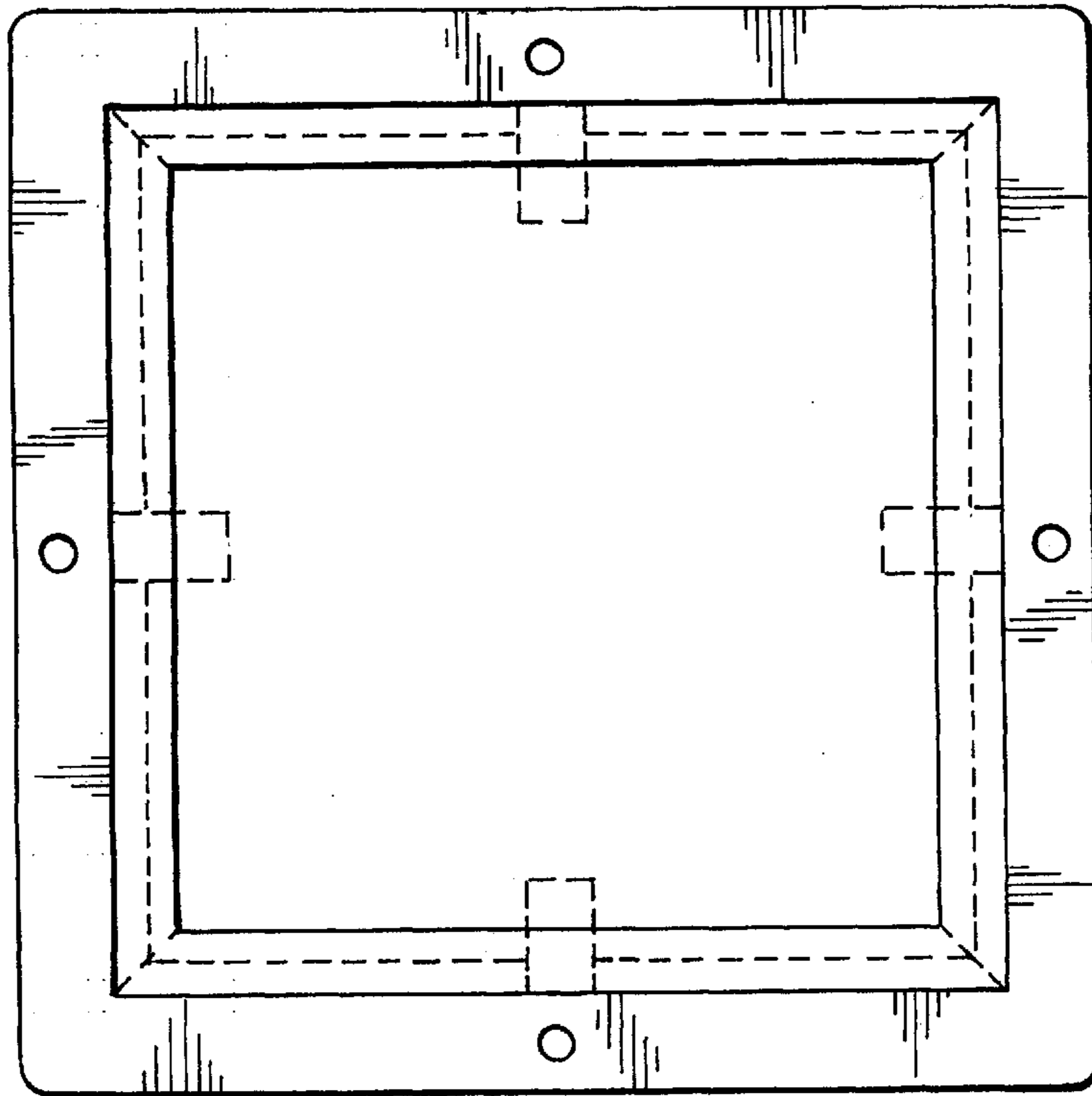


FIG. 3

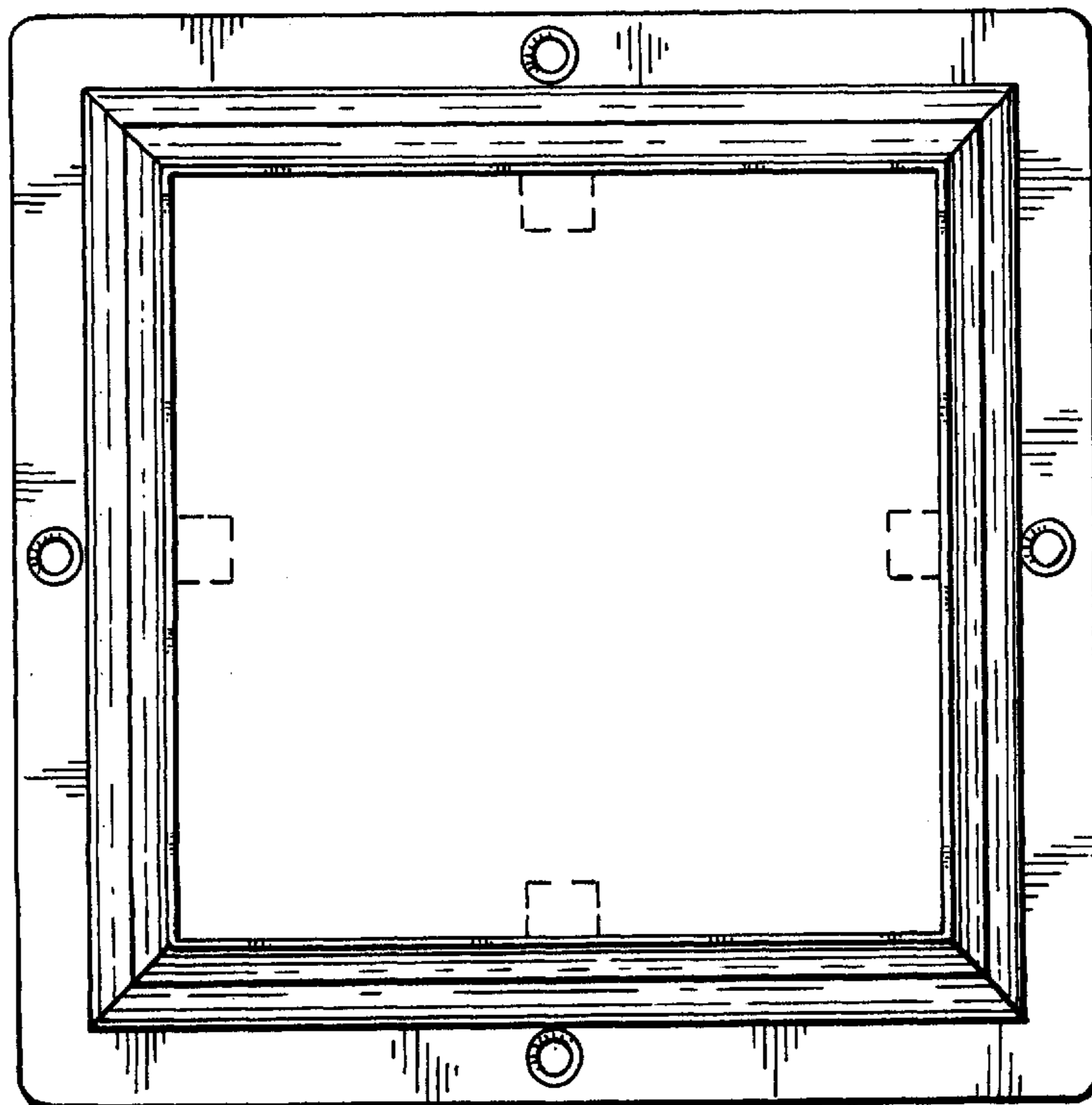


FIG. 4