



US00D416631S

**United States Patent** [19]  
**Schimmelfennig et al.**

[11] **Patent Number: Des. 416,631**  
[45] **Date of Patent: \*\* \*Nov. 16, 1999**

[54] **REINFORCING BAR PROTECTION CAP**

[75] Inventors: **Jerry D. Schimmelfennig**, Mt. Pleasant; **Marcus William Powell**, New London, both of Iowa; **Richard Sylvan**, Glenview, Ill.; **Douglas James Spenner**, Mt. Pleasant, Iowa

[73] Assignee: **Lomont Molding, Inc.**, Mt. Pleasant, Iowa

[\*] Notice: This patent is subject to a terminal disclaimer.

[\*\*] Term: **14 Years**

[21] Appl. No.: **29/082,337**

[22] Filed: **Jan. 20, 1998**

**Related U.S. Application Data**

[63] Continuation-in-part of application No. 29/080,444, Dec. 9, 1997.

[51] **LOC (6) Cl.** ..... **25-01**

[52] **U.S. Cl.** ..... **D25/135; D8/402**

[58] **Field of Search** ..... **D25/135; D8/354, D8/349, 499, 402; 74/553; 16/121; 264/273, 274, 275, 279; 138/96 R; 52/301**

[56] **References Cited**

**U.S. PATENT DOCUMENTS**

D. 391,377 2/1998 Langlie et al. .... D25/135  
5,824,253 10/1998 Kassardijan et al. .... 264/275

*Primary Examiner*—Susan J. Lucas  
*Assistant Examiner*—Jennifer Rivard  
*Attorney, Agent, or Firm*—Zarley, McKee, Thomte, Voorhees & Sease

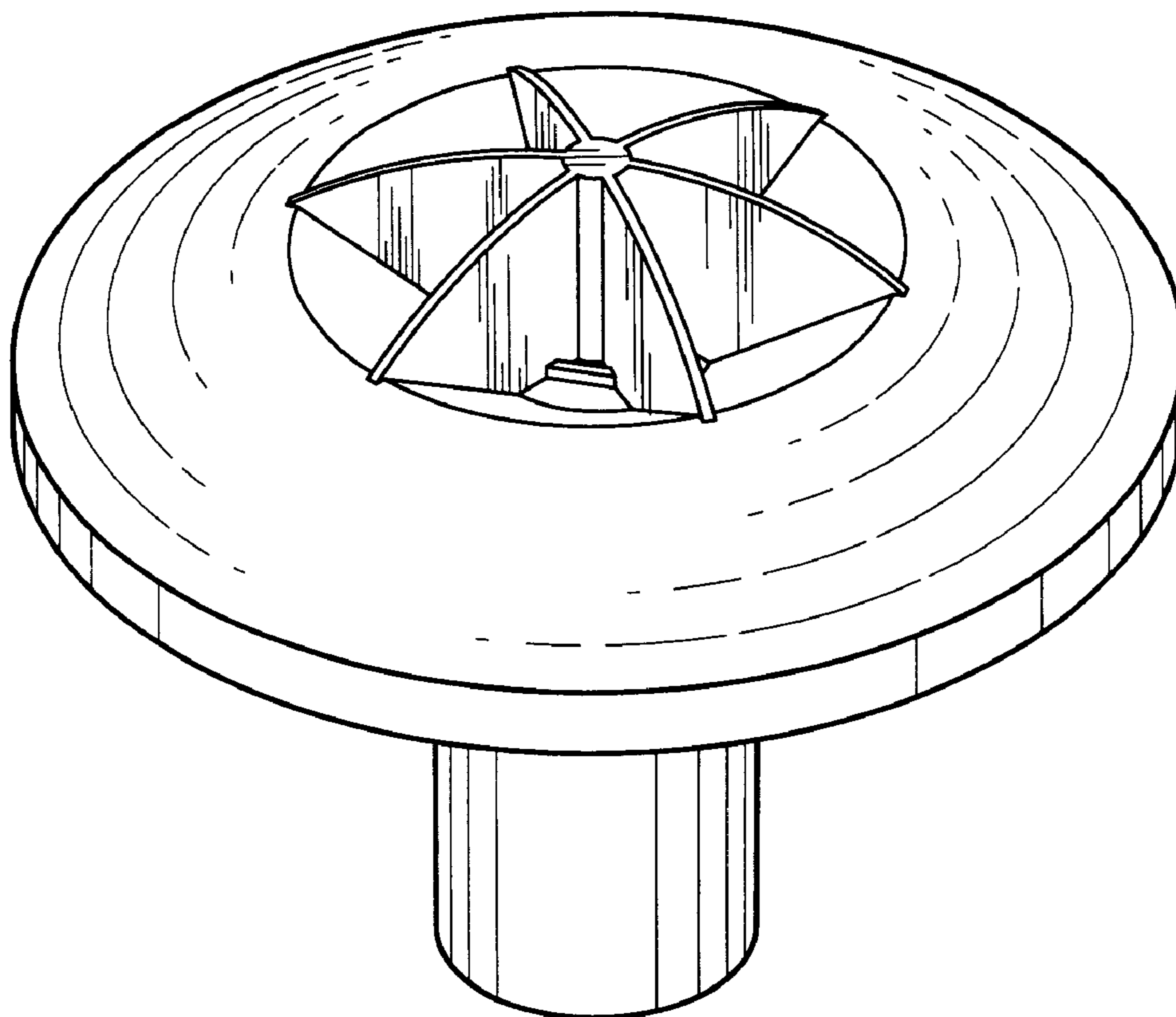
[57] **CLAIM**

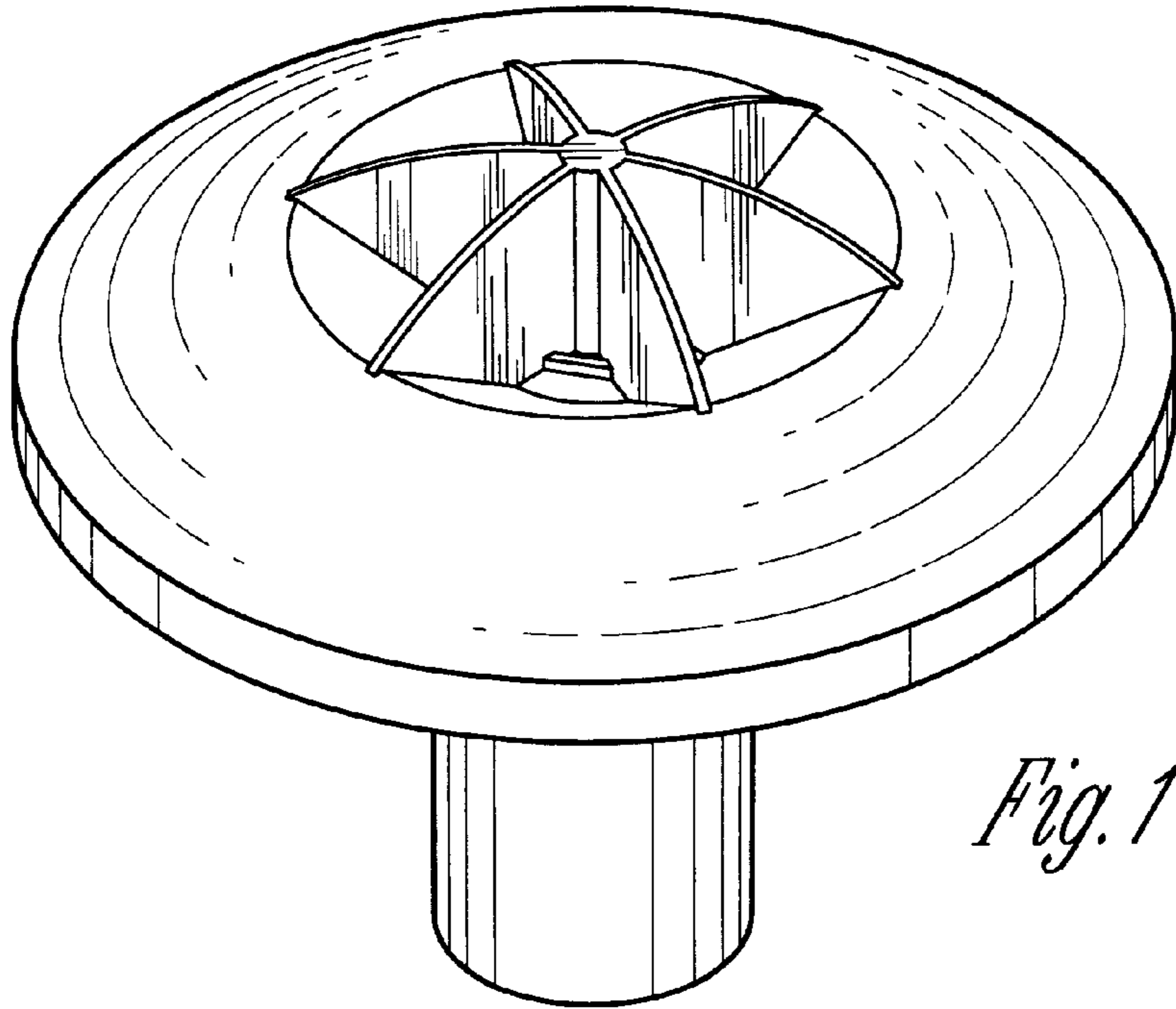
We claim the ornamental design for a reinforcing bar protection cap, as shown.

**DESCRIPTION**

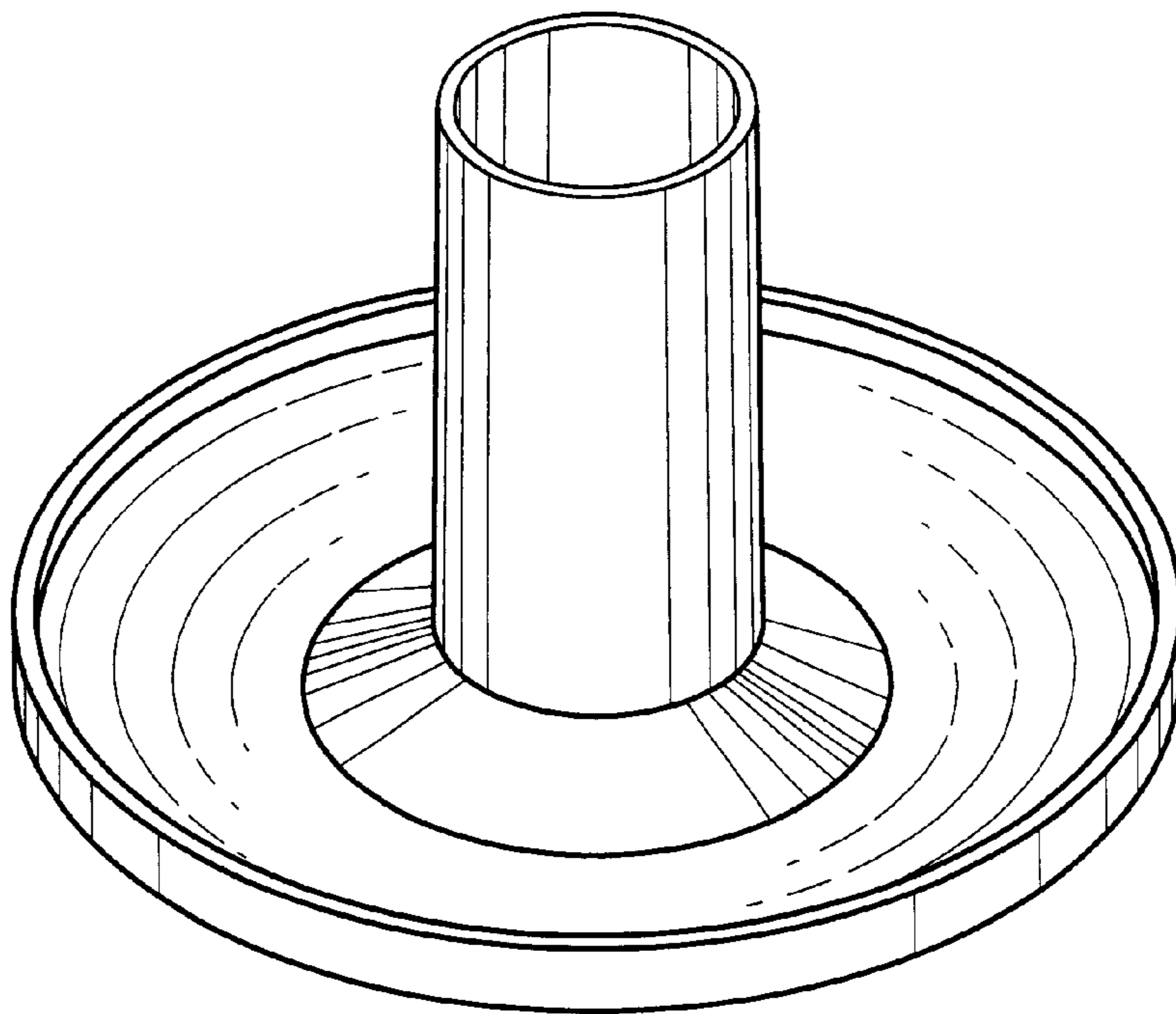
FIG. 1 is a top perspective view of a reinforcing bar protection cap showing our new design; FIG. 2 is a bottom perspective view thereof; FIG. 3 is an enlarged scale bottom plan view; FIG. 4 is an enlarged scale top plan view; FIG. 5 is an enlarged scale left side elevational view with the right side elevational view being a mirror image; and, FIG. 6 is an enlarged scale front side elevational view with the rear side elevational view being a mirror image.

**1 Claim, 3 Drawing Sheets**

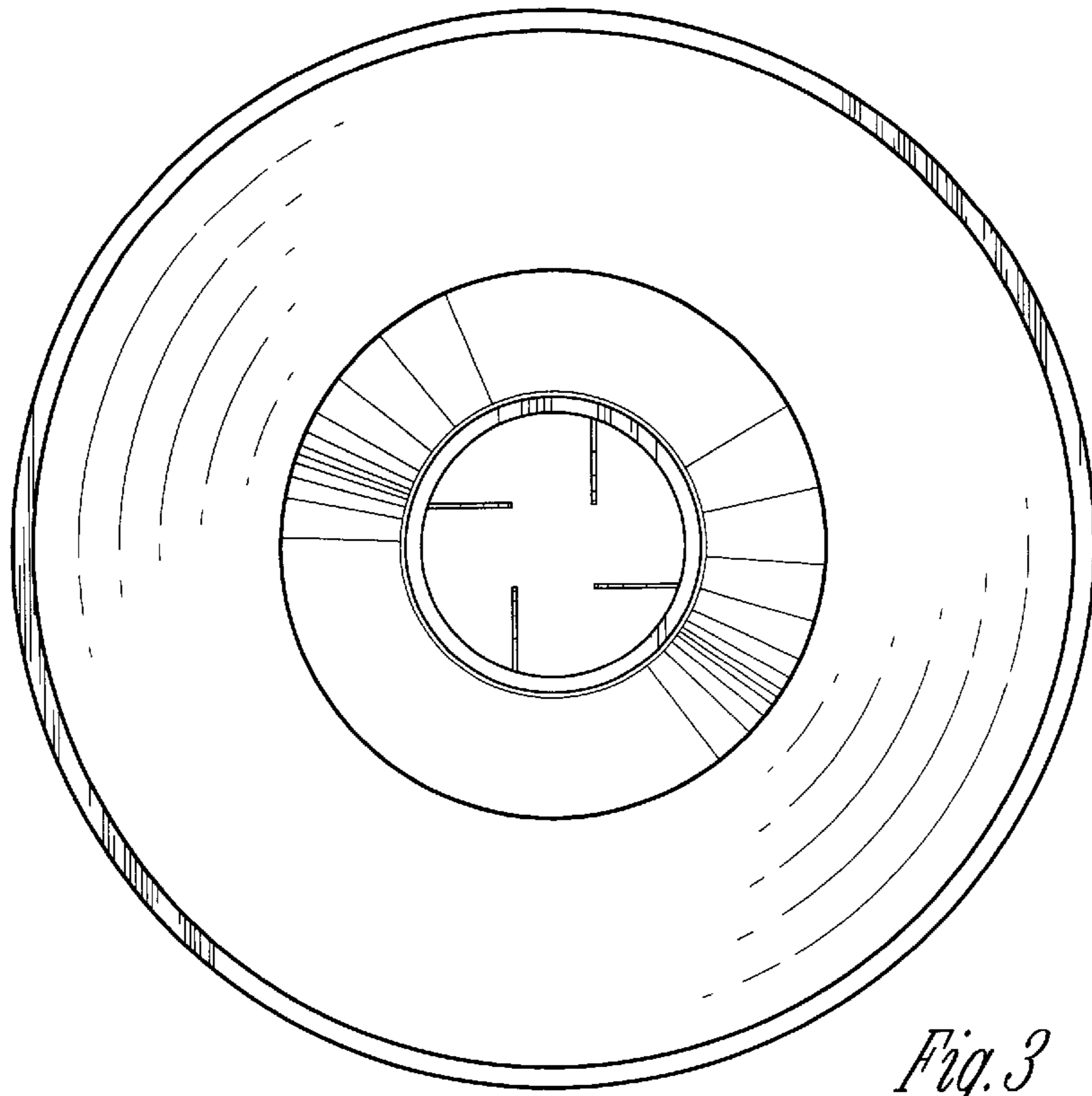




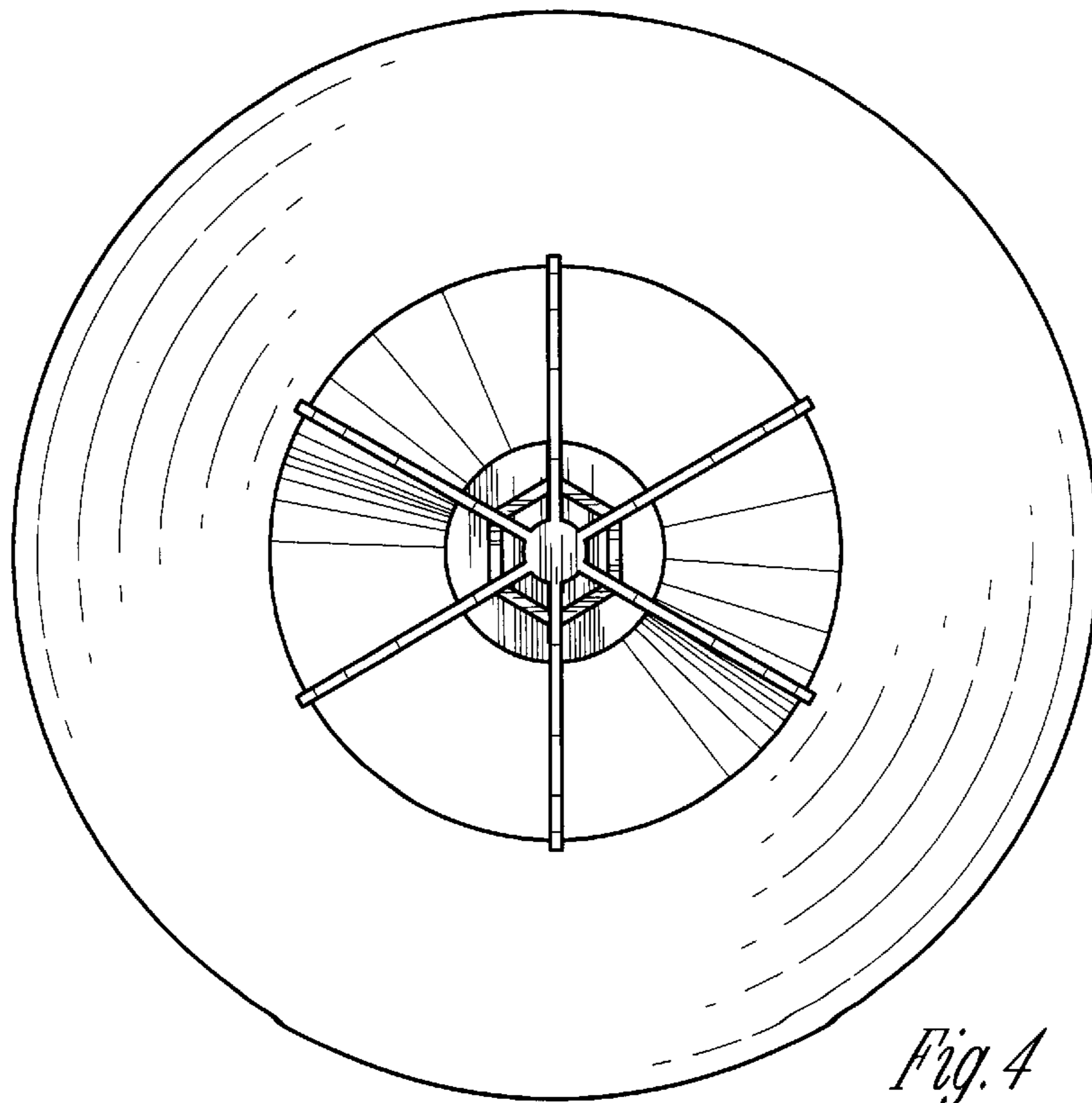
*Fig. 1*



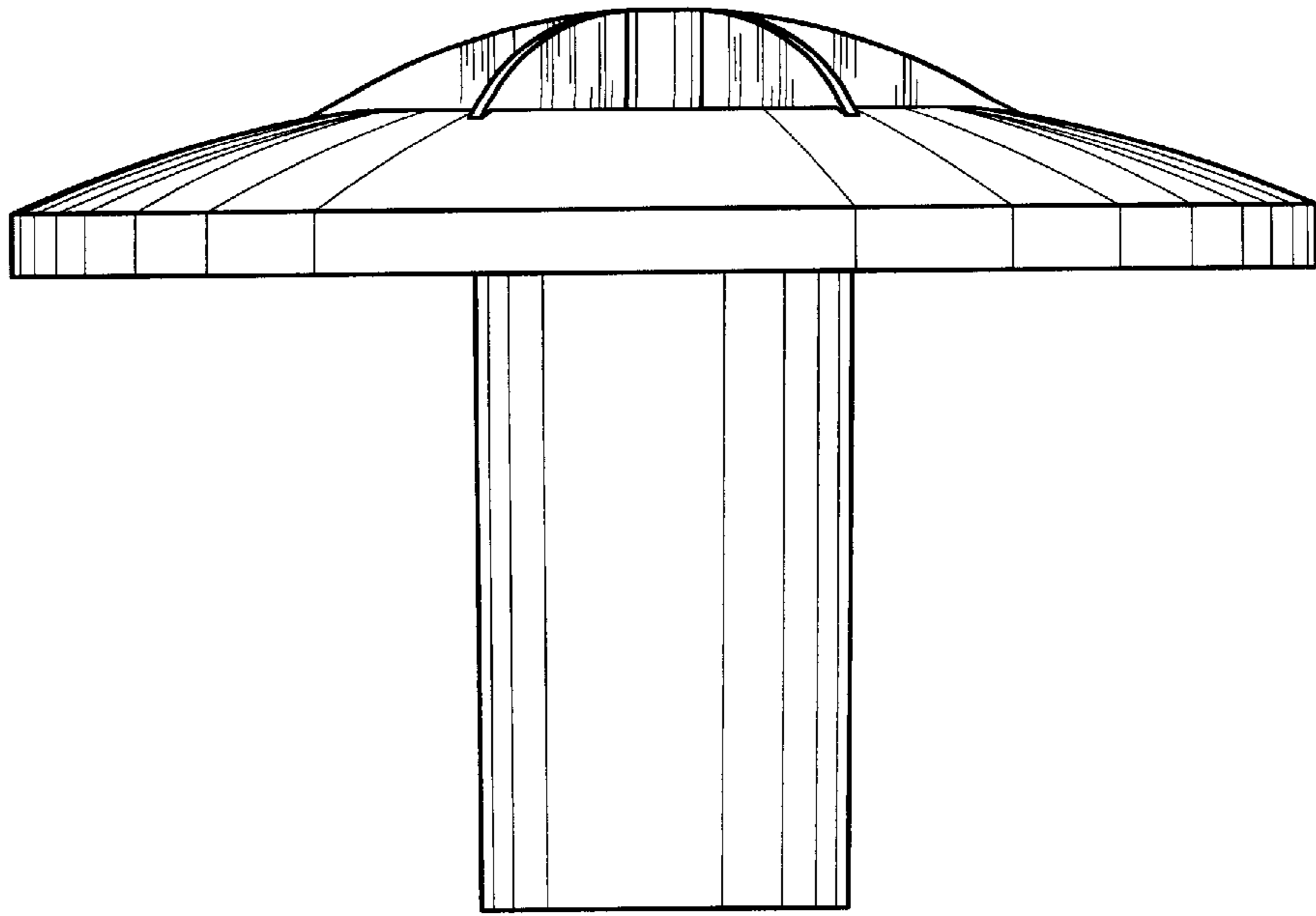
*Fig. 2*



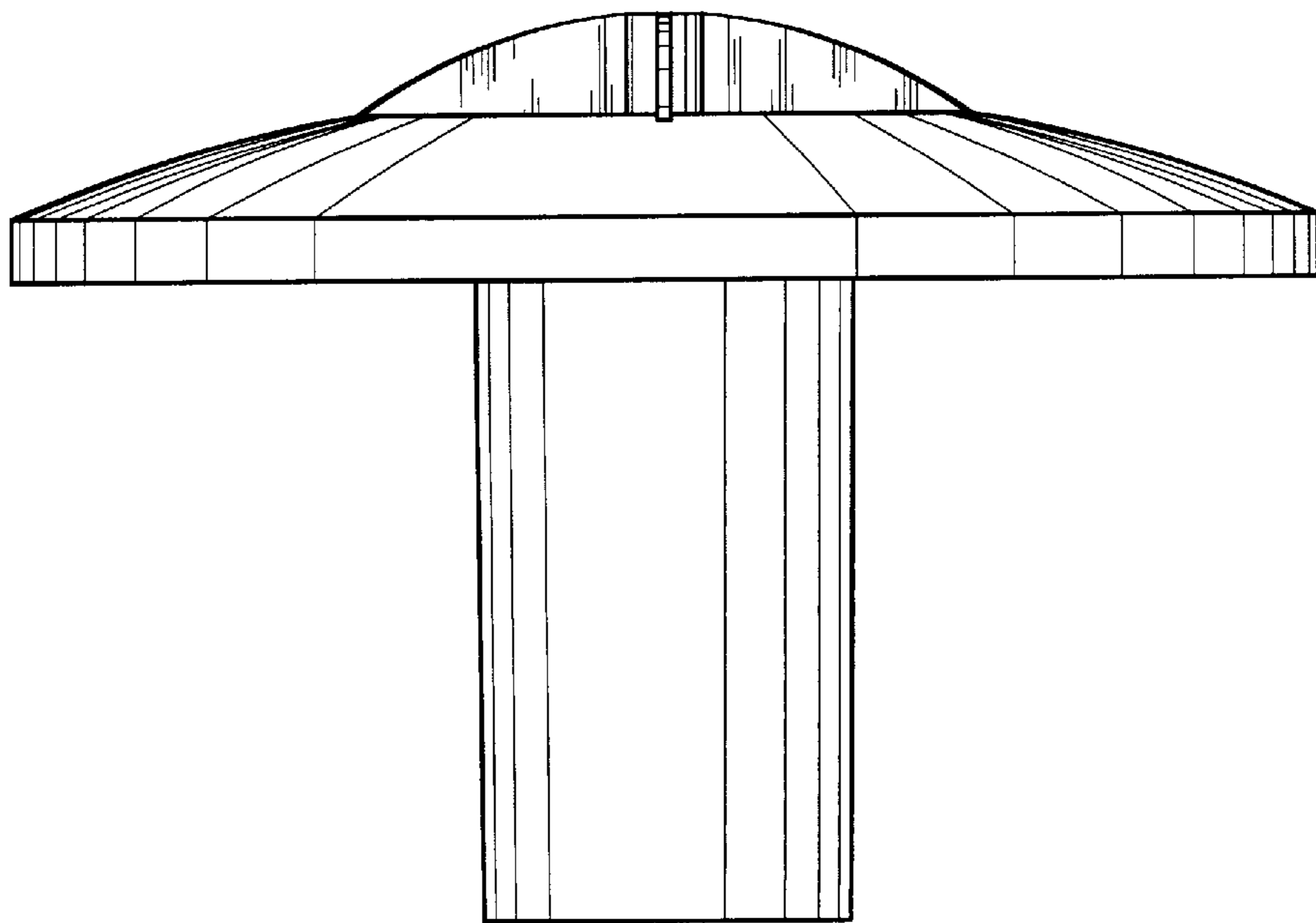
*Fig. 3*



*Fig. 4*



*Fig. 5*



*Fig. 6*