



US00D416630S

United States Patent [19]

Schimmelpfennig et al.

[11] Patent Number: **Des. 416,630**

[45] Date of Patent: **** *Nov. 16, 1999**

[54] **REINFORCING BAR PROTECTION CAP**

[75] Inventors: **Jerry D. Schimmelpfennig**, Mt. Pleasant; **Marcus William Powell**, New London, both of Iowa; **Richard Sylvan**, Glenview, Ill.; **Douglas James Spenner**, Mt. Pleasant, Iowa

[73] Assignee: **Lomont Molding, Inc.**, Mt. Pleasant, Iowa

[*] Notice: This patent is subject to a terminal disclaimer.

[**] Term: **14 Years**

[21] Appl. No.: **29/080,444**

[22] Filed: **Dec. 9, 1997**

[51] **LOC (6) Cl.** **25-01**

[52] **U.S. Cl.** **D25/135; D8/402**

[58] **Field of Search** D25/135; D8/354, D8/349, 499, 402; 74/553; 16/121; 264/273, 274, 275, 279; 138/96 R; 52/301

[56] **References Cited**

U.S. PATENT DOCUMENTS

D. 363,657 10/1995 Kassardjian et al. .

D. 391,377 2/1998 Langlie et al. D25/135
5,381,636 1/1995 Kassardjian et al. .
5,523,043 6/1996 Kassardjian et al. .
5,568,708 10/1996 Kassardjian et al. .
5,824,253 10/1998 Kassardjian et al. 264/275

Primary Examiner—Susan J. Lucas
Assistant Examiner—Jennifer Rivard
Attorney, Agent, or Firm—Zarley, McKee, Thomte, Voorhees & Sease

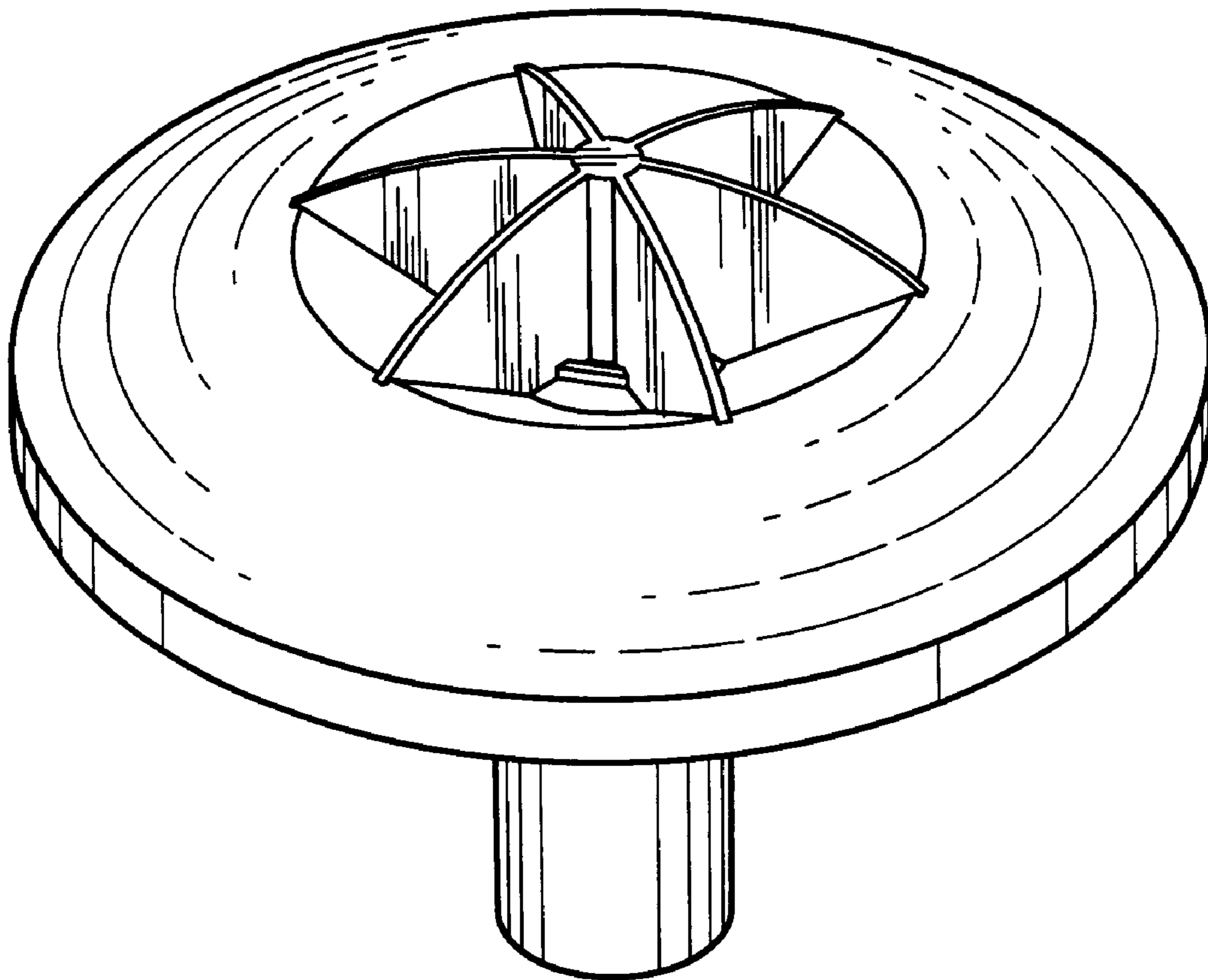
[57] **CLAIM**

We claim the ornamental design for a reinforcing bar protection cap, as shown.

DESCRIPTION

FIG. 1 is a top perspective view of a reinforcing bar protection cap showing our new design;
FIG. 2 is a bottom perspective view thereof;
FIG. 3 is an enlarged scale bottom plan view;
FIG. 4 is an enlarged scale top plan view;
FIG. 5 is an enlarged scale left side elevational view with the right side elevational view being a mirror image; and,
FIG. 6 is an enlarged scale front side elevational view with the rear side elevational view being a mirror image.

1 Claim, 3 Drawing Sheets



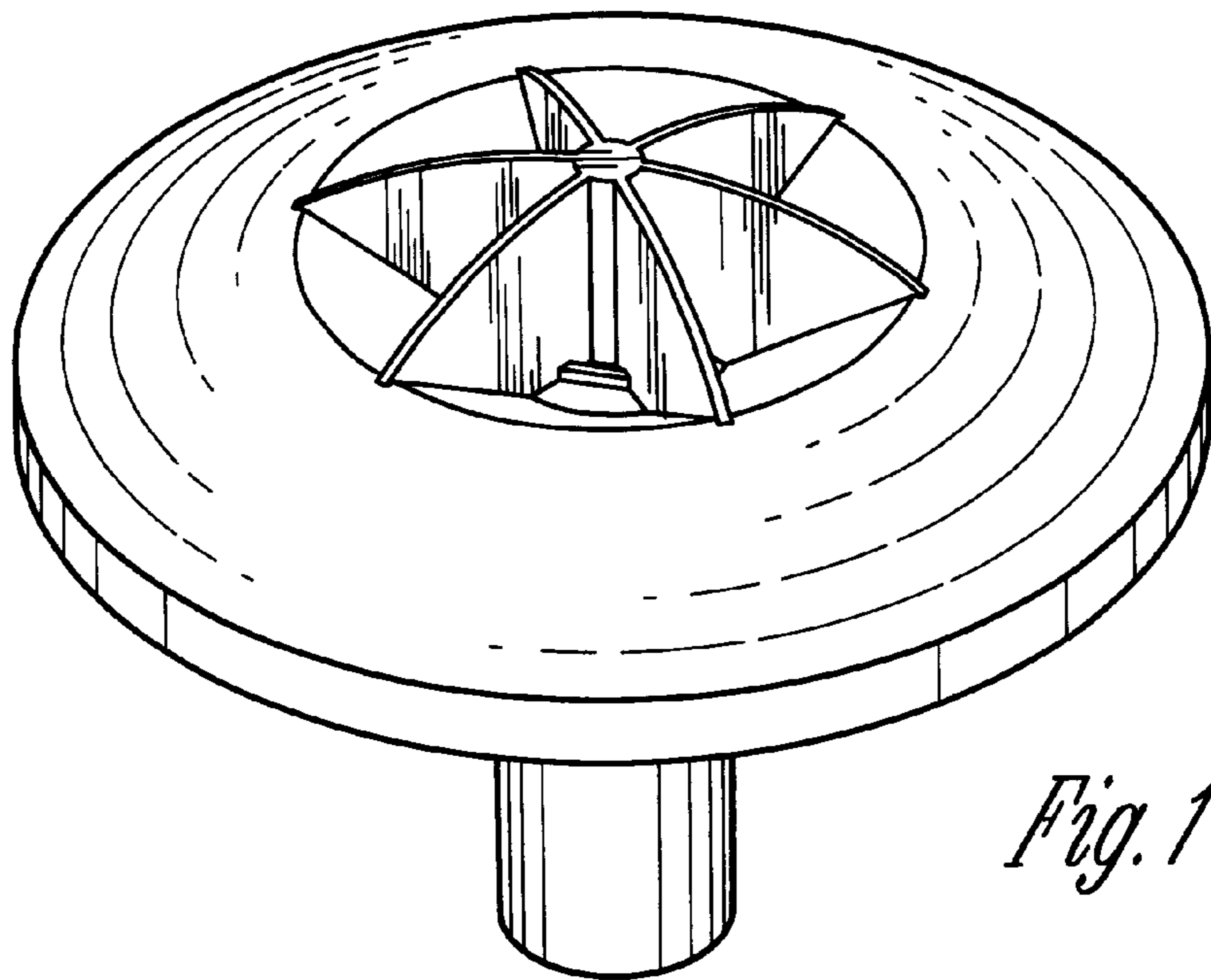


Fig. 1

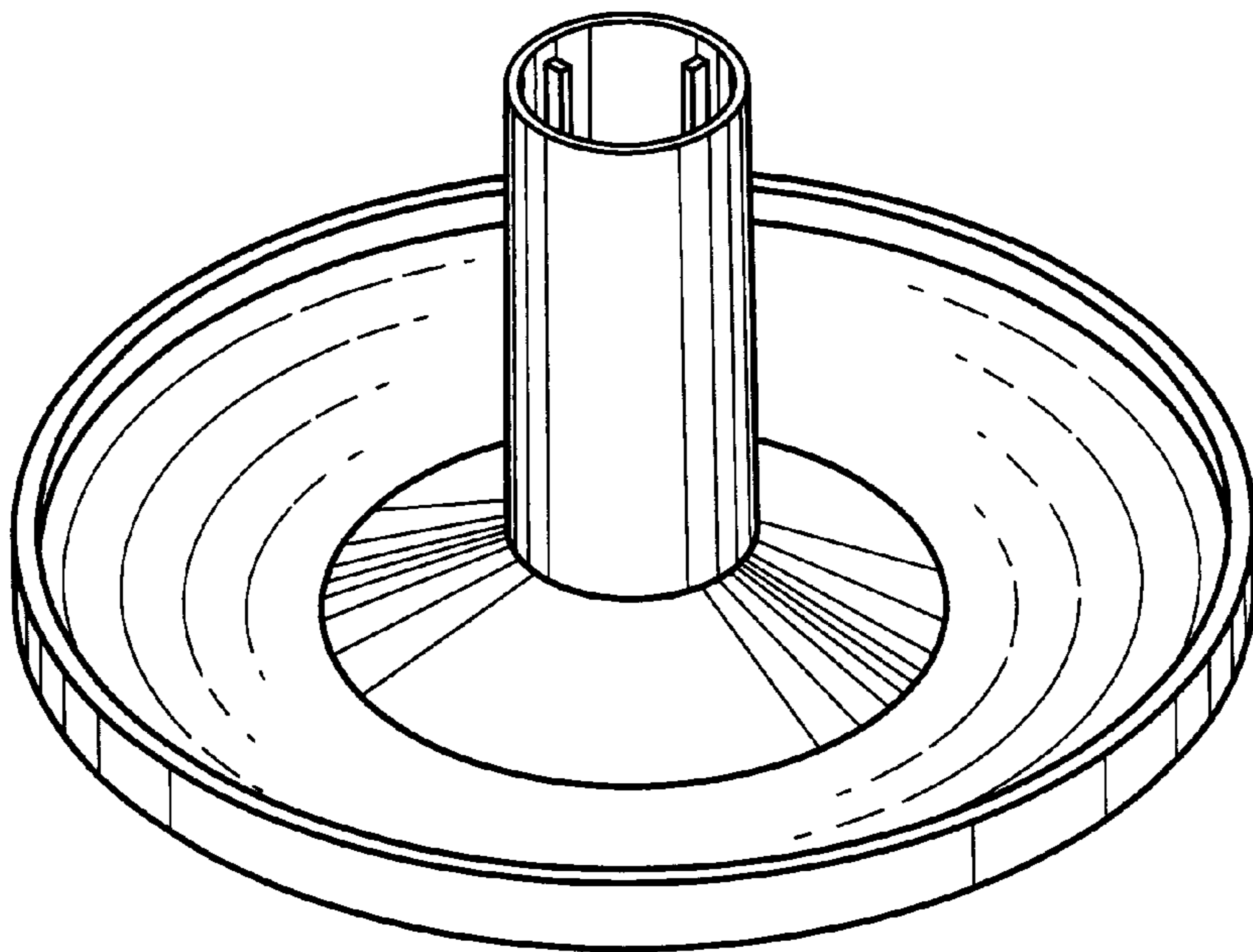


Fig. 2

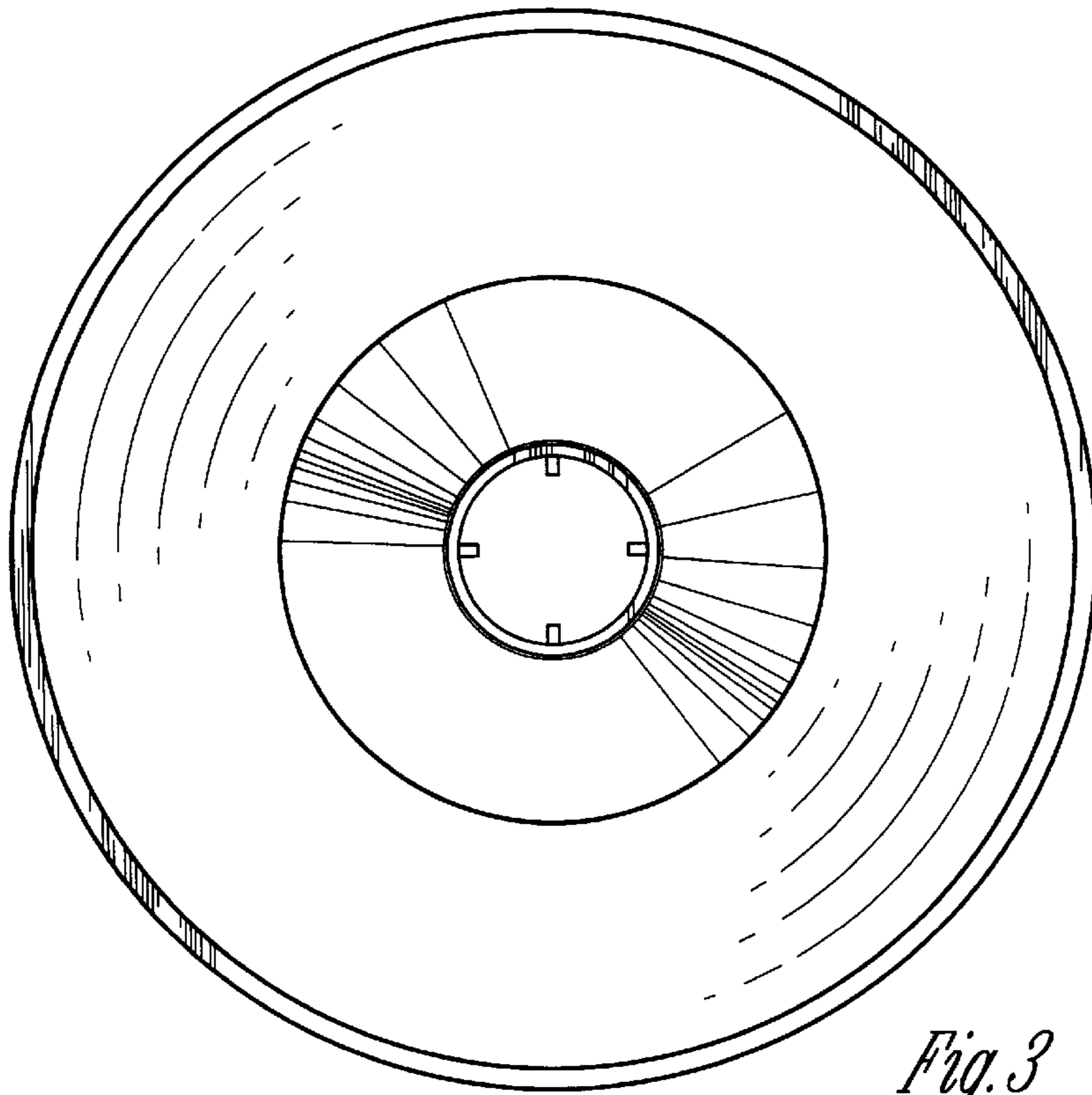


Fig. 3

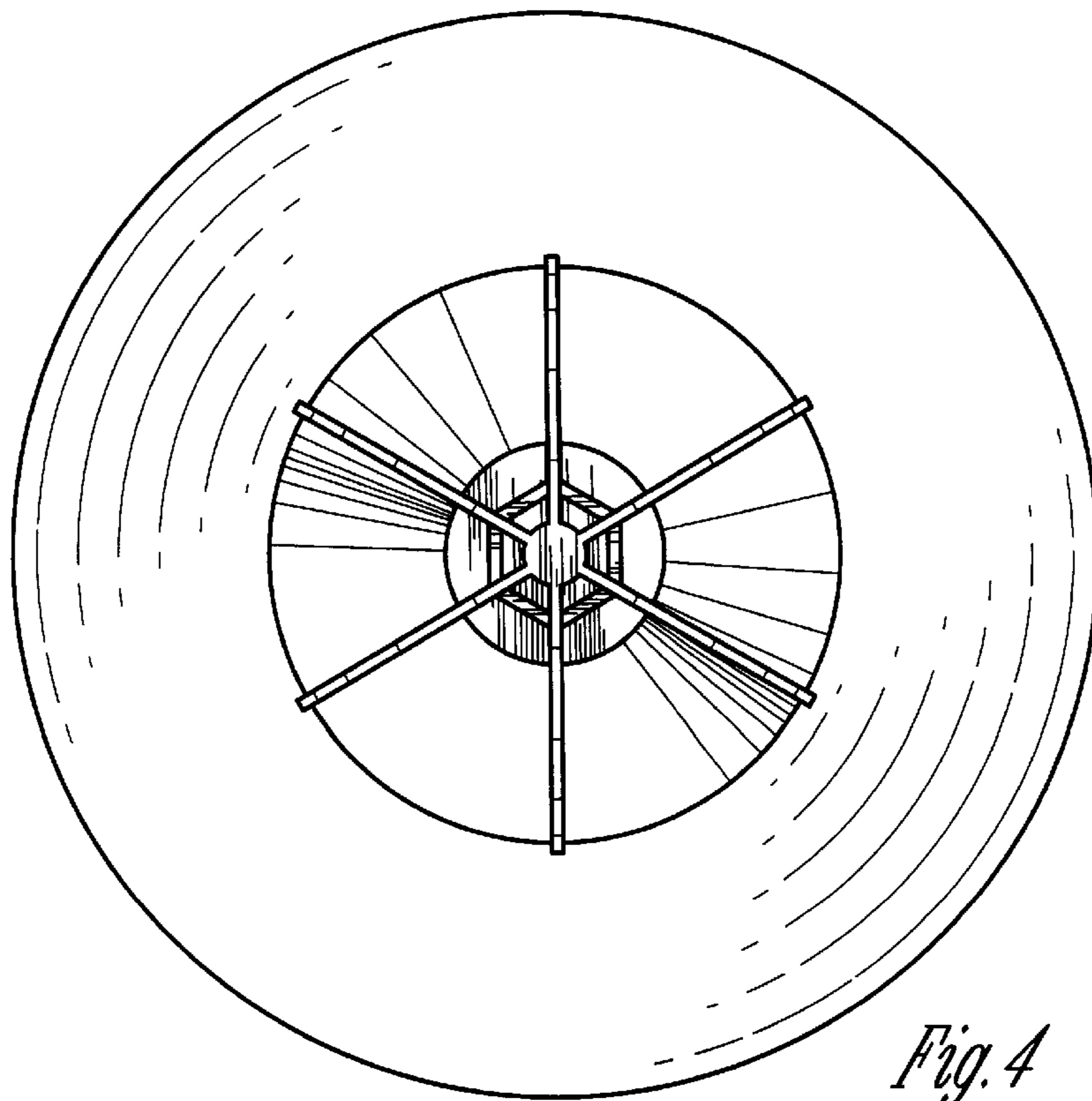


Fig. 4

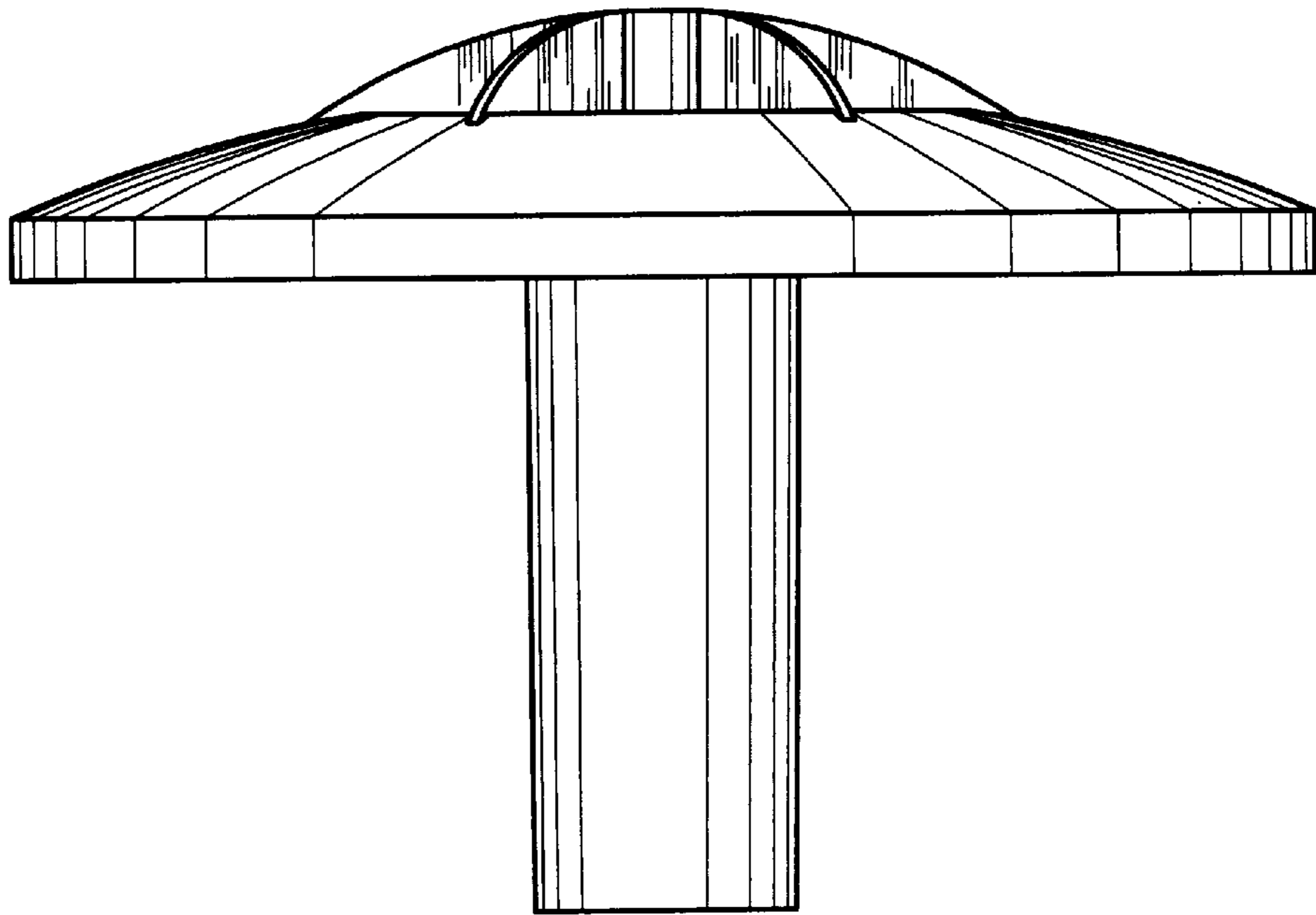


Fig. 5

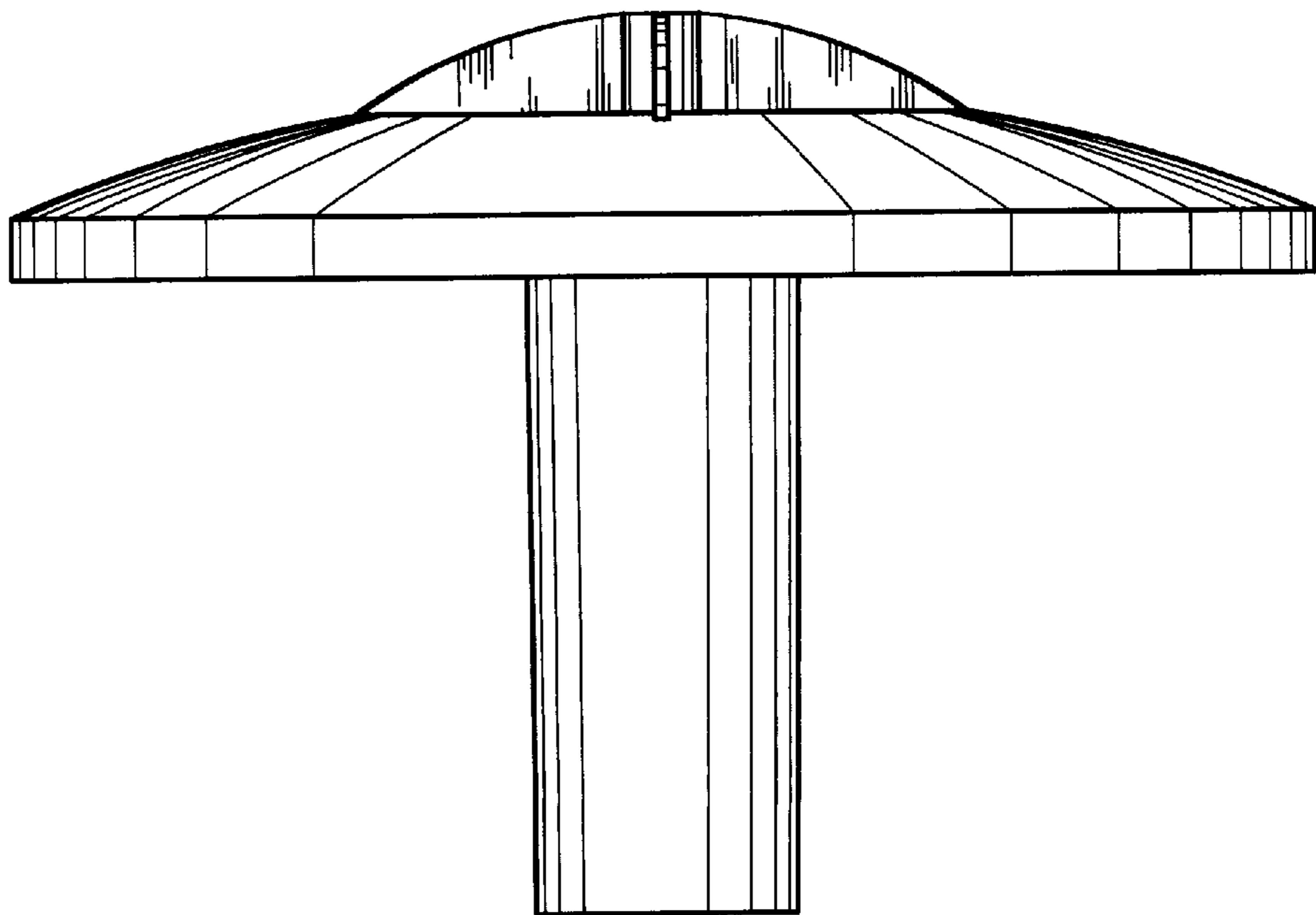


Fig. 6