



US00D416628S

United States Patent [19]

Franson et al.

[11] **Patent Number: Des. 416,628**

[45] **Date of Patent: ** Nov. 16, 1999**

[54] **WINDOW COMPONENT EXTRUSION**

[75] Inventors: **Jeffrey R. Franson**, Maple Valley, Wash.; **Lorane Goss**, Slippery Rock, Pa.

[73] Assignee: **Mikron Industries, Inc.**, Kent, Wash.

[**] Term: **14 Years**

[21] Appl. No.: **29/084,209**

[22] Filed: **Feb. 26, 1998**

[51] **LOC (6) Cl.** **25-01**

[52] **U.S. Cl.** **D25/124**

[58] **Field of Search** D25/124, 122, D25/123, 125, 60, 52; 49/504, 505, DIG. 2; 52/204.5, 730.3, 730.4, 730.5, 204.1, 210, 204.55, 204.56, 204.63, 204.6, 214, 204.61, 656.6

Teresa A. Oliver, Mikron Part No. 7204, First sold Oct. 13, 1995.

Teresa A. Oliver, Mikron Part No. 7206, First sold Oct. 13, 1995.

Teresa A. Oliver, Mikron Part No. 7207, First sold Oct. 13, 1995.

Teresa A. Oliver, Mikron Part No. 7225, First drawn Jul. 14, 1995.

Primary Examiner—Doris Clark
Attorney, Agent, or Firm—Richardson & Folise

[57] **CLAIM**

The ornamental design for a window component extrusion, as shown and described.

DESCRIPTION

FIG. 1 is a top right perspective view of the window component extrusion which is broken in the center indicating indefinite length; and,

FIG. 2 is a bottom left perspective view of the window component extrusion shown in FIG. 1.

[56] **References Cited**

U.S. PATENT DOCUMENTS

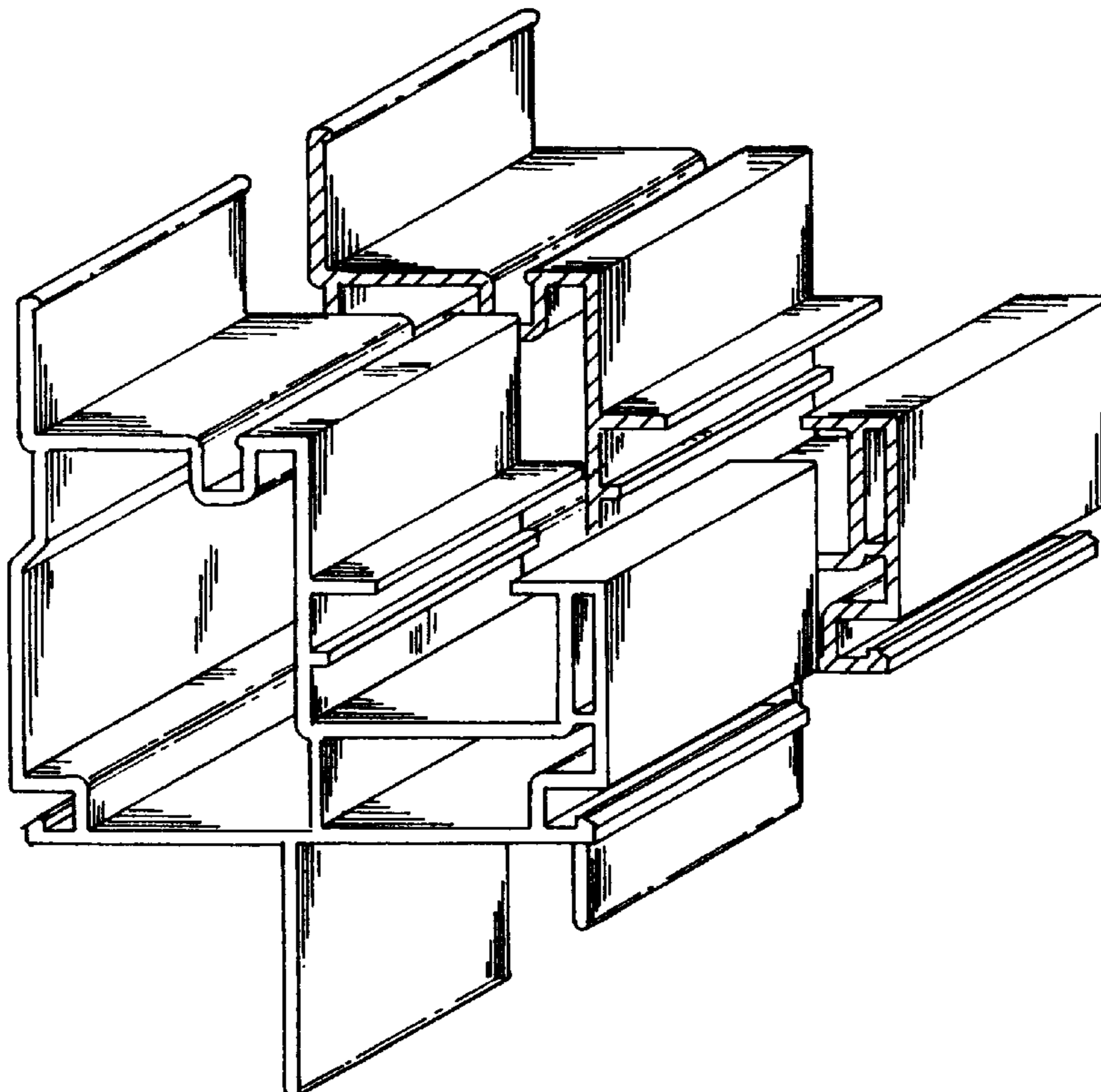
D. 384,424 9/1997 Schrader D25/124
D. 385,971 11/1997 Franson D25/124

OTHER PUBLICATIONS

Robert Jarrell, Mikron Part No. 7144, First sold Feb. 19, 1996.

Robert Jarrell, Mikron Part No. 7148, First sold Feb. 19, 1996.

1 Claim, 1 Drawing Sheet



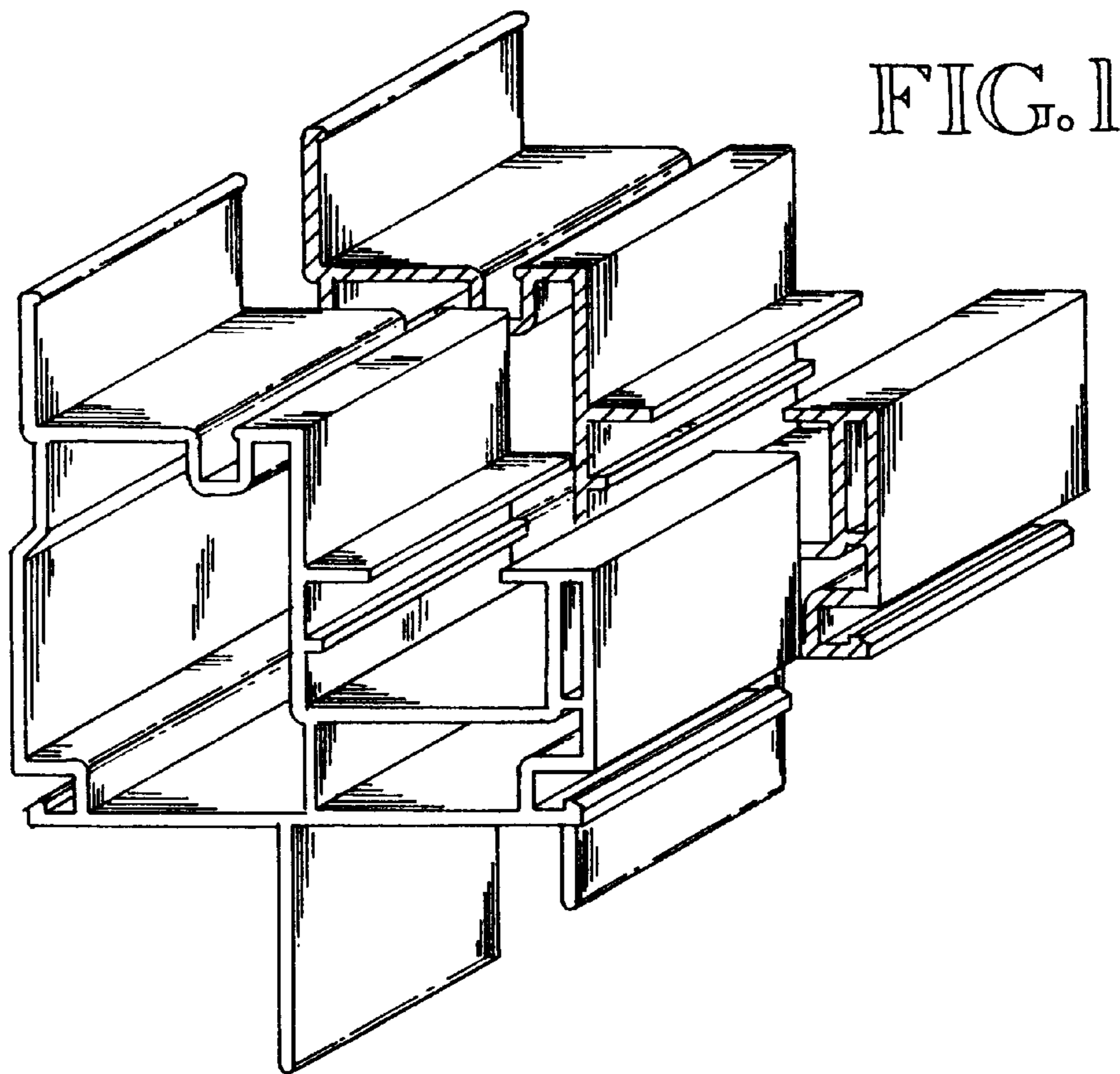


FIG. 1

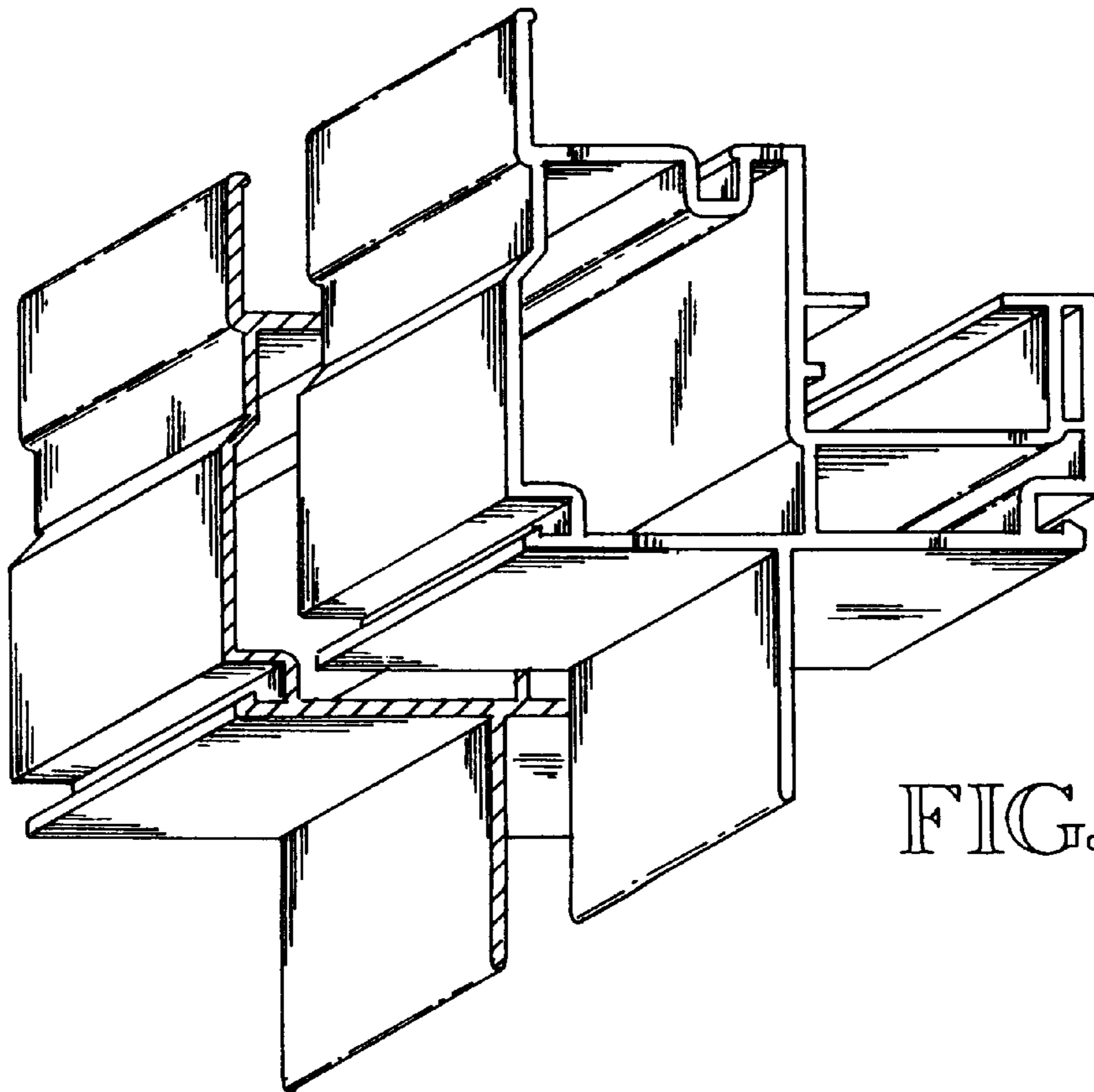


FIG. 2