



US00D416627S

**United States Patent** [19]  
**McAllister**

[11] **Patent Number: Des. 416,627**  
[45] **Date of Patent: \*\* Nov. 16, 1999**

[54] **RETAINING WALL BLOCK WITH SIDE OPENINGS**

[75] Inventor: **Kenneth Lee McAllister**, Orlando, Fla.

[73] Assignee: **Atlantech International, Inc.**, Atlanta, Ga.

[\*\*] Term: **14 Years**

[21] Appl. No.: **29/081,401**

[22] Filed: **Dec. 31, 1997**

[51] **LOC (6) Cl.** ..... **25-01**

[52] **U.S. Cl.** ..... **D25/113**

[58] **Field of Search** ..... D21/484, 486,  
D21/499-502, 504; D25/113-115, 118;  
404/19, 33-42; 405/284-286; 52/596, 604-605,  
608-610

[56] **References Cited**

**U.S. PATENT DOCUMENTS**

14,052	1/1856	Conkling	52/608
D. 33,317	10/1900	Lafferty	.
225,945	3/1880	Perchment	.
D. 317,209	5/1991	Forsberg	D25/114
D. 319,885	9/1991	Blomquist et al.	D25/118
D. 321,060	10/1991	Blomquist et al.	D25/118
D. 340,996	11/1993	Woolbright	D25/113
D. 359,367	6/1995	Ciccarello et al.	D25/113
D. 362,511	9/1995	Anderson et al.	D25/113
D. 380,560	7/1997	Forsberg	.
D. 381,086	7/1997	Forsberg	.
722,712	3/1903	Jasper	.
741,040	10/1903	Jones	.
762,193	6/1904	Porten	.
762,251	6/1904	Porten	.
852,578	5/1907	Rounds	.
1,394,406	10/1921	Calvert	.
1,412,666	4/1922	Mixon	.
1,592,476	7/1926	Torrecelli	.

1,794,060	2/1931	Brozek	.
1,855,987	4/1932	Rammer	52/608
2,313,363	3/1943	Schmitt	.
4,340,360	7/1982	Hoedl et al.	52/605
5,062,610	11/1991	Woolford et al.	249/25
5,161,918	11/1992	Hodel	405/286
5,214,898	6/1993	Beretta	52/606
5,294,216	3/1994	Sievert	405/286
5,353,569	10/1994	Rodrique	52/604
5,361,557	11/1994	Snyder et al.	52/608
5,540,525	7/1996	Miller et al.	.
5,595,460	1/1997	Miller et al.	.
5,598,679	2/1997	Orton et al.	52/609
5,619,835	4/1997	Bailey, II et al.	.
5,673,530	10/1997	Bailey, II	.

**OTHER PUBLICATIONS**

Gordon Schmidt: "The Story . . ." concrete block illustrated; Concrete, Dec. 1958, p. 26.

*Primary Examiner*—Louis S. Zarfaz  
*Assistant Examiner*—Robert A. Delehanty  
*Attorney, Agent, or Firm*—Jacobson, Price, Holman & Stern, PLLC

[57] **CLAIM**

The ornamental design of a retaining wall block with side openings, as shown and described.

**DESCRIPTION**

FIG. 1 is a bottom perspective view of a retaining wall block with side openings showing my new design;  
FIG. 2 is a top plan view thereof;  
FIG. 3 is a bottom plan view thereof;  
FIG. 4 is a front elevational view thereof; and,  
FIG. 5 is a side elevational view thereof, the opposite side being a mirror image.  
The broken lines in the drawings are for illustrative purposes only and form no part of the claimed design.

**1 Claim, 1 Drawing Sheet**

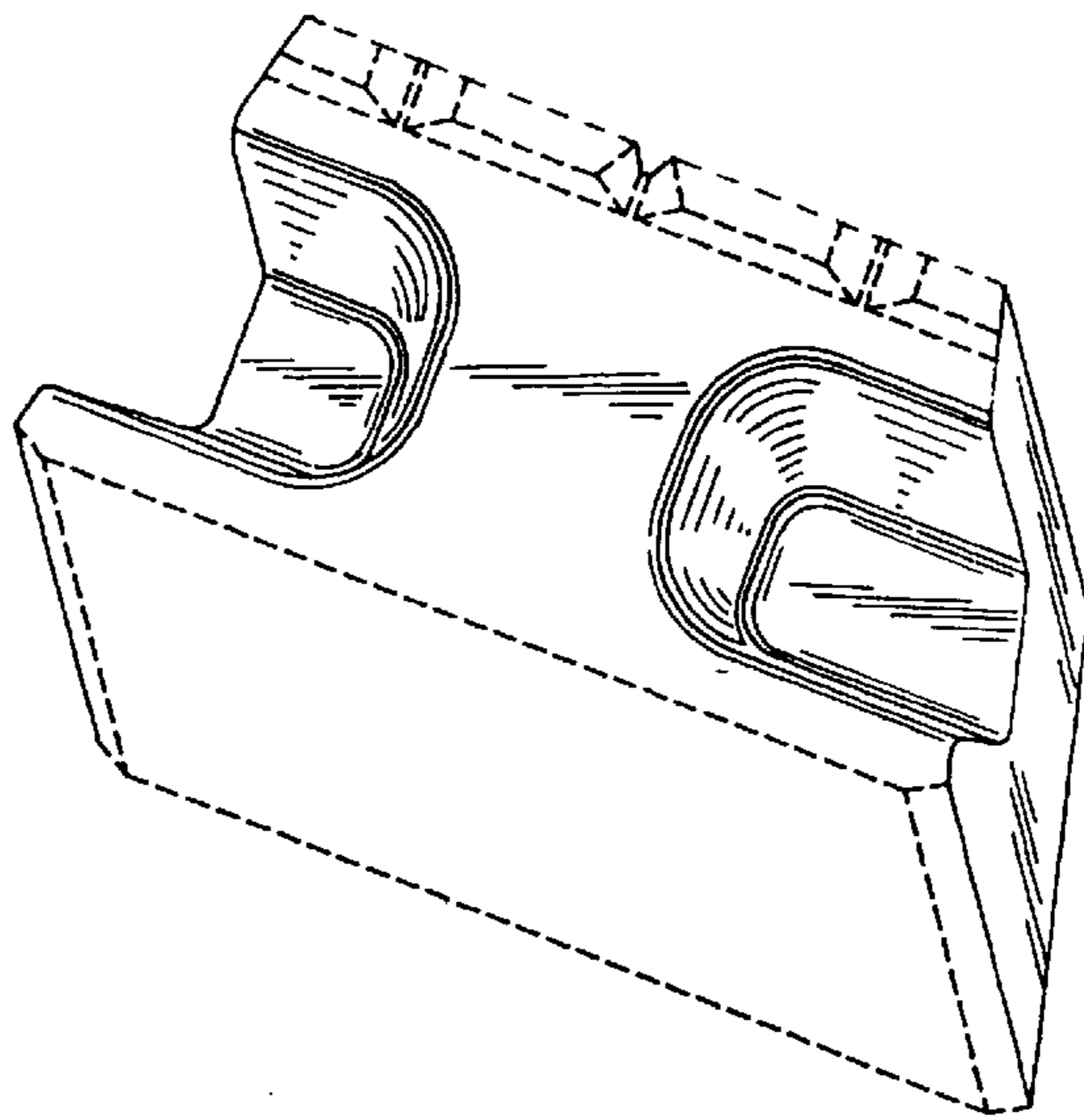


FIG. 1

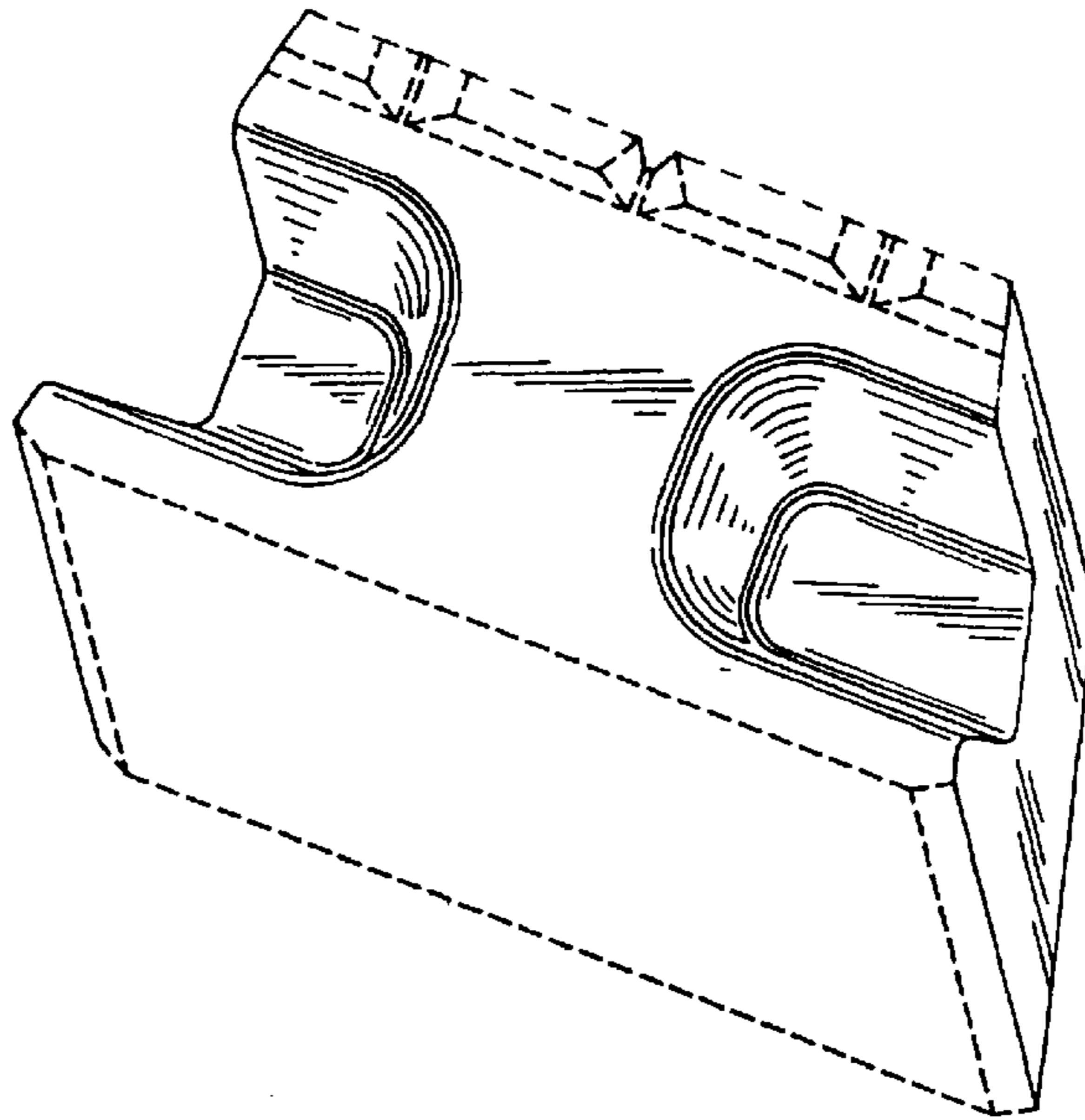


FIG. 2

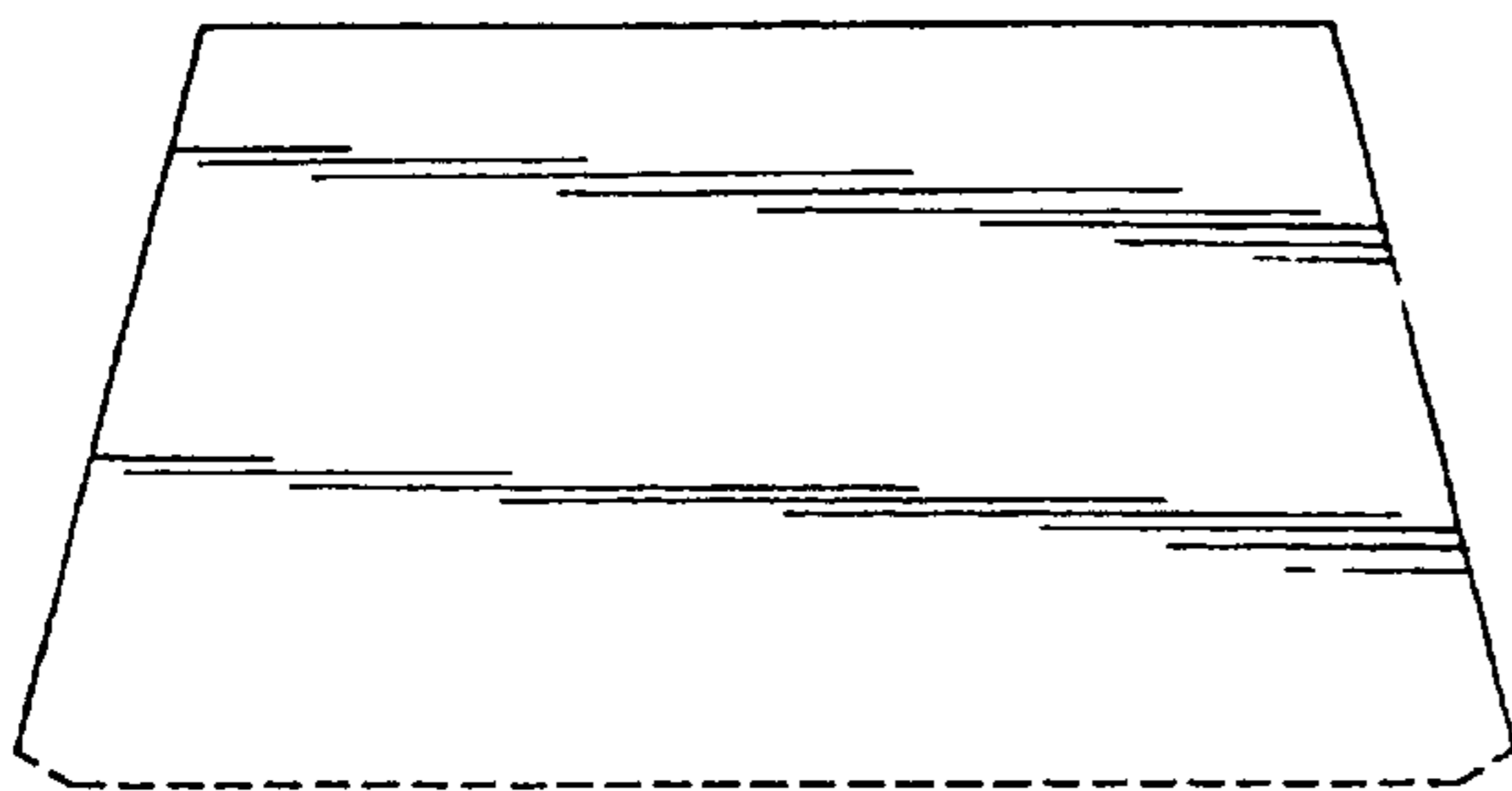


FIG. 3

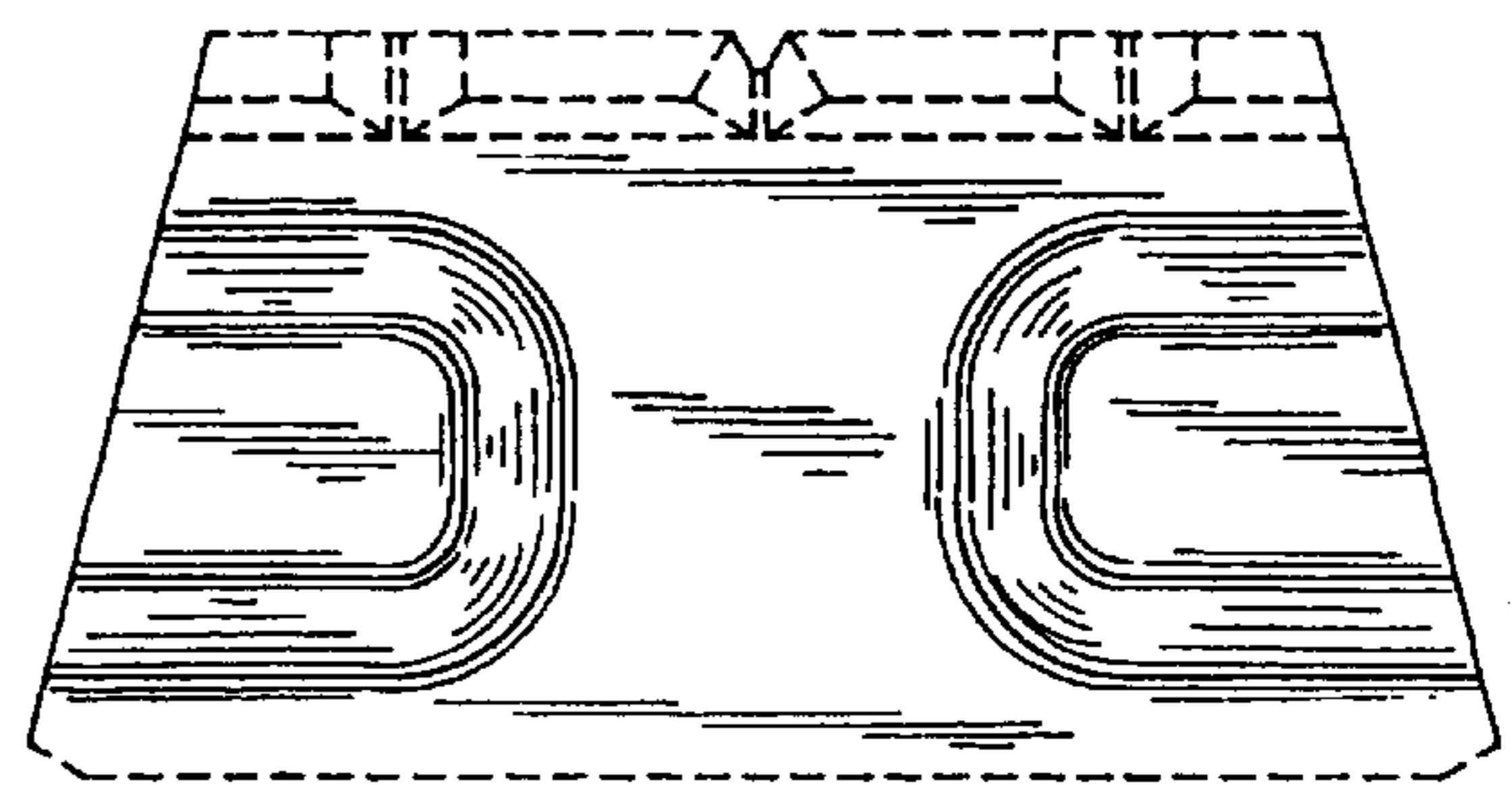


FIG. 4

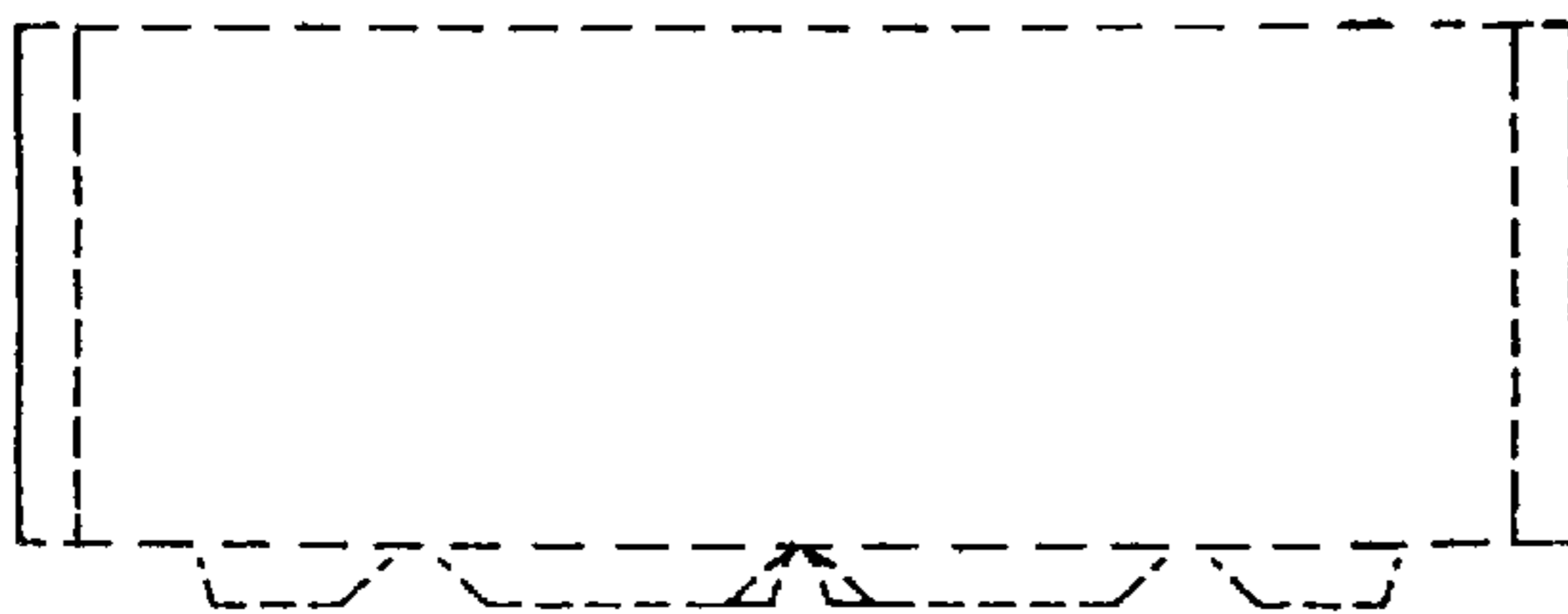


FIG. 5

