



US00D416621S

United States Patent [19]

Forssell et al.

[11] **Patent Number: Des. 416,621**

[45] **Date of Patent: ** Nov. 16, 1999**

[54] **TWO PIECE INHALER**

[75] Inventors: **Fredrik Forssell; Gustav Levander; Jesper Sjögren**, all of Helsingborg, Sweden

[73] Assignee: **Pharmacia & Upjohn**, Helsingborg, Sweden

[*] Notice: This patent is subject to a terminal disclaimer.

[**] Term: **14 Years**

[21] Appl. No.: **29/076,576**

[22] Filed: **Sep. 10, 1997**

[30] **Foreign Application Priority Data**

Sep. 5, 1997 [SE] Sweden 971969

[51] **LOC (6) Cl.** **24-04**

[52] **U.S. Cl.** **D24/110**

[58] **Field of Search** D24/110, 110.4, D24/110.5; 128/200.14, 200.23, 200 R, 203.15, 203.12

[56] **References Cited**

U.S. PATENT DOCUMENTS

- D. 214,972 8/1969 Katerndahl D24/110
- D. 395,706 6/1998 Minshull D24/110
- 4,117,844 10/1978 James 128/203.15

- 4,434,903 3/1984 Cooke .
- 4,993,436 2/1991 Bloom, Jr. 128/200.14
- 5,816,240 10/1998 Komesaroff 128/200.14

FOREIGN PATENT DOCUMENTS

158214 6/1984 Norway .

Primary Examiner—Louis S. Zarfaz
Assistant Examiner—I Simmons
Attorney, Agent, or Firm—Fulbright & Jaworski L.L.P.

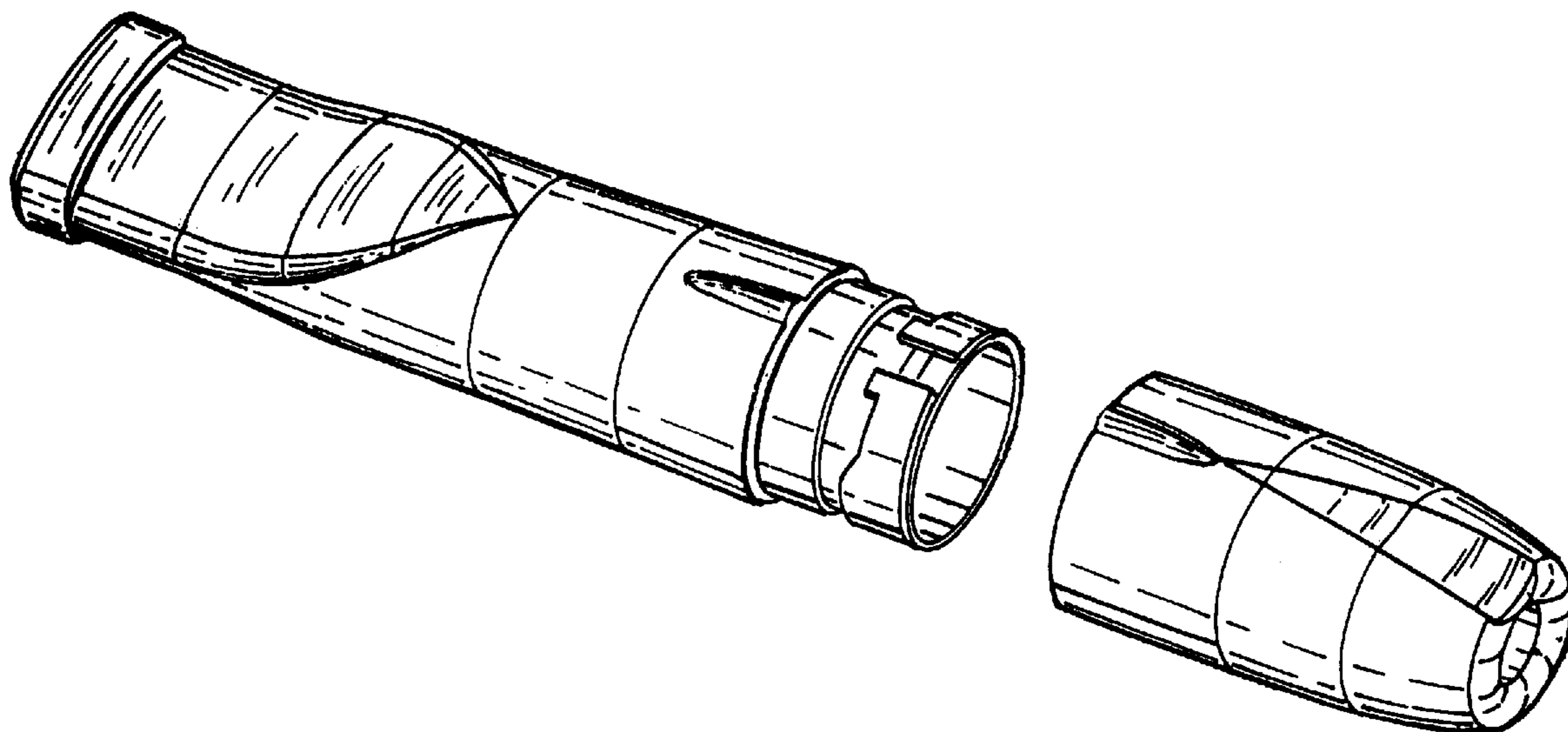
[57] **CLAIM**

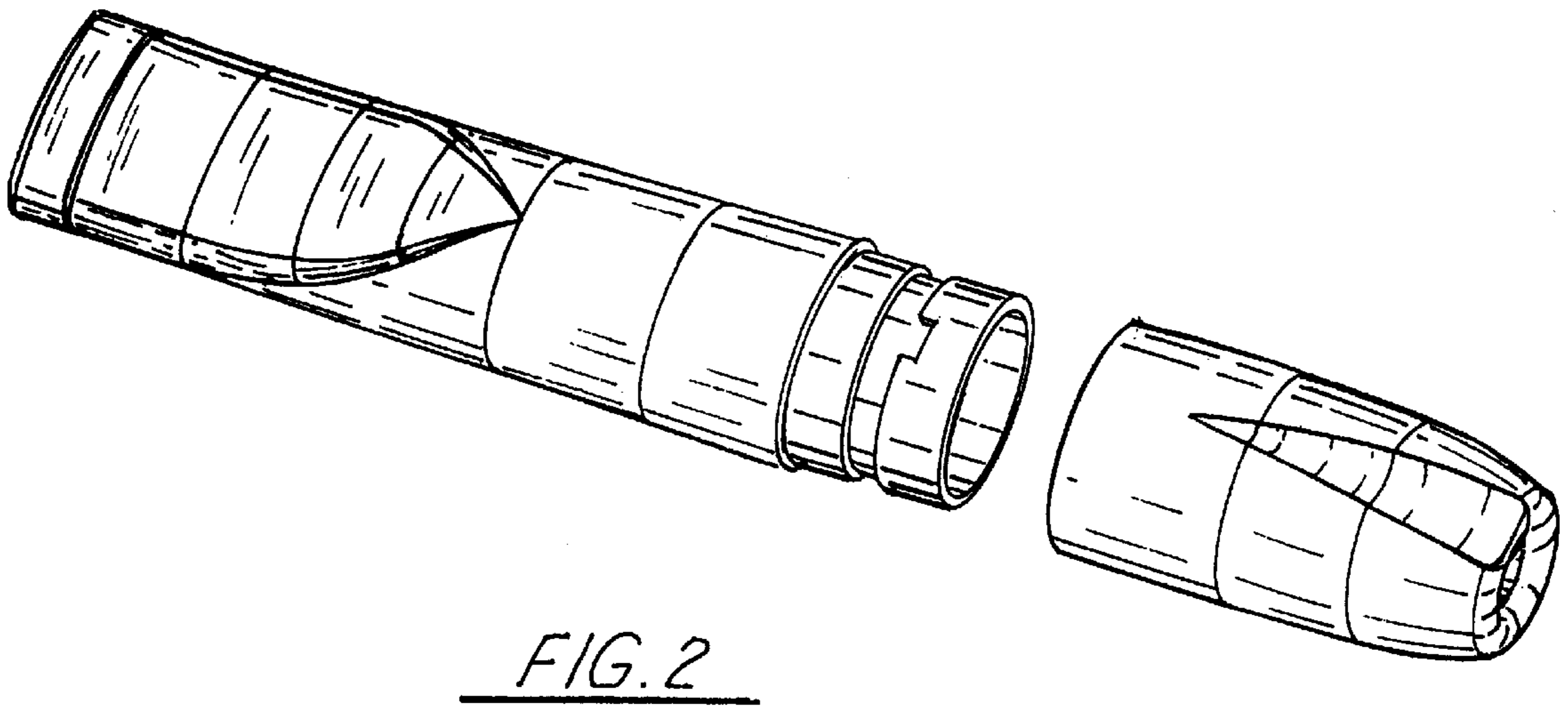
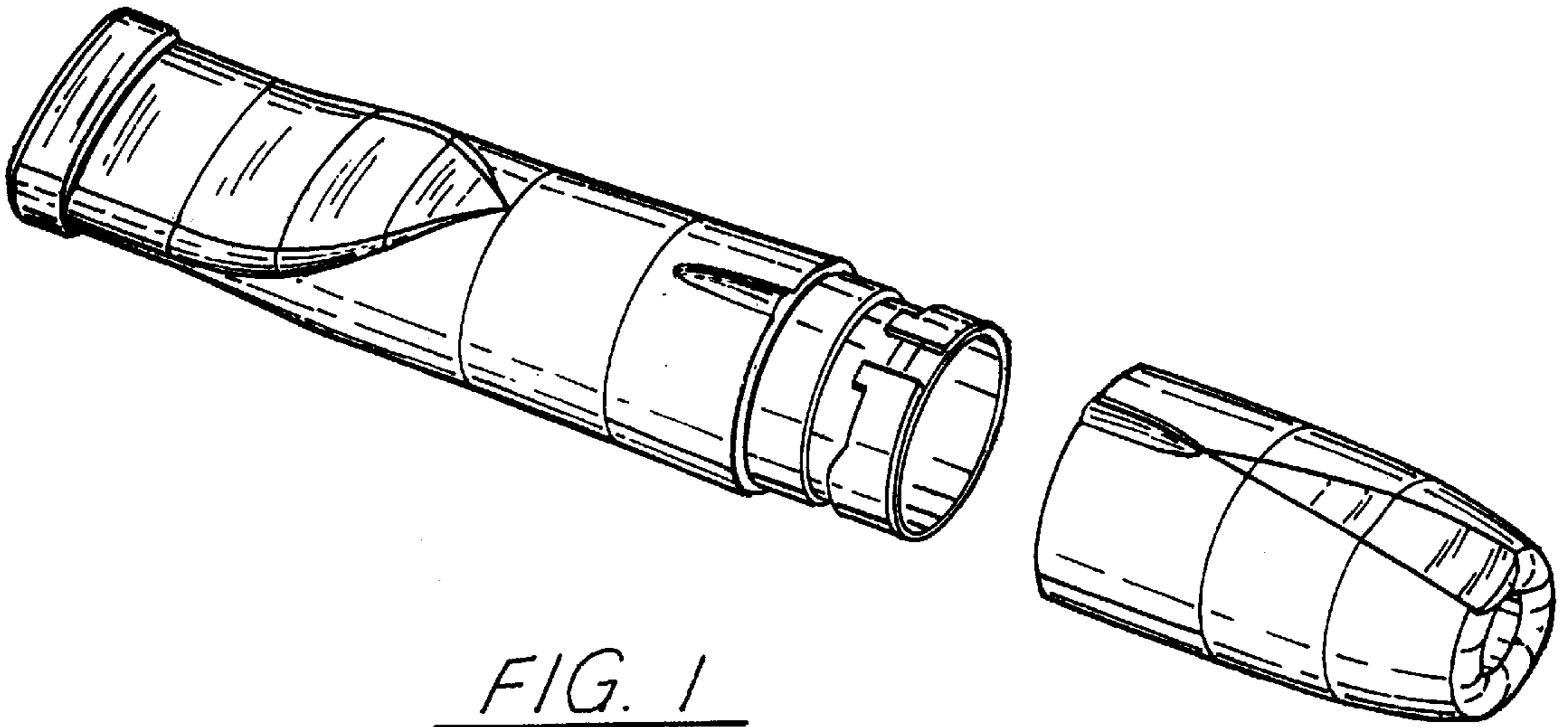
The ornamental design for a two piece inhaler, as shown and described.

DESCRIPTION

FIG. 1 is a perspective top view of the two piece inhaler as seen from the cap end;
 FIG. 2 is a perspective bottom view of the two piece inhaler as seen from the cap end;
 FIG. 3 is a perspective top view of the two piece inhaler as seen from the mouthpiece end;
 FIG. 4 is a perspective bottom view of the two piece inhaler as seen from the mouthpiece end;
 FIG. 5 is a top plane view of the two piece inhaler;
 FIG. 6 is a side plane view of the two piece inhaler;
 FIG. 7 is an end plane view of the two piece inhaler as seen from the mouthpiece end; and,
 FIG. 8 is an end plane view of the two piece inhaler as seen from the cap end.

1 Claim, 3 Drawing Sheets





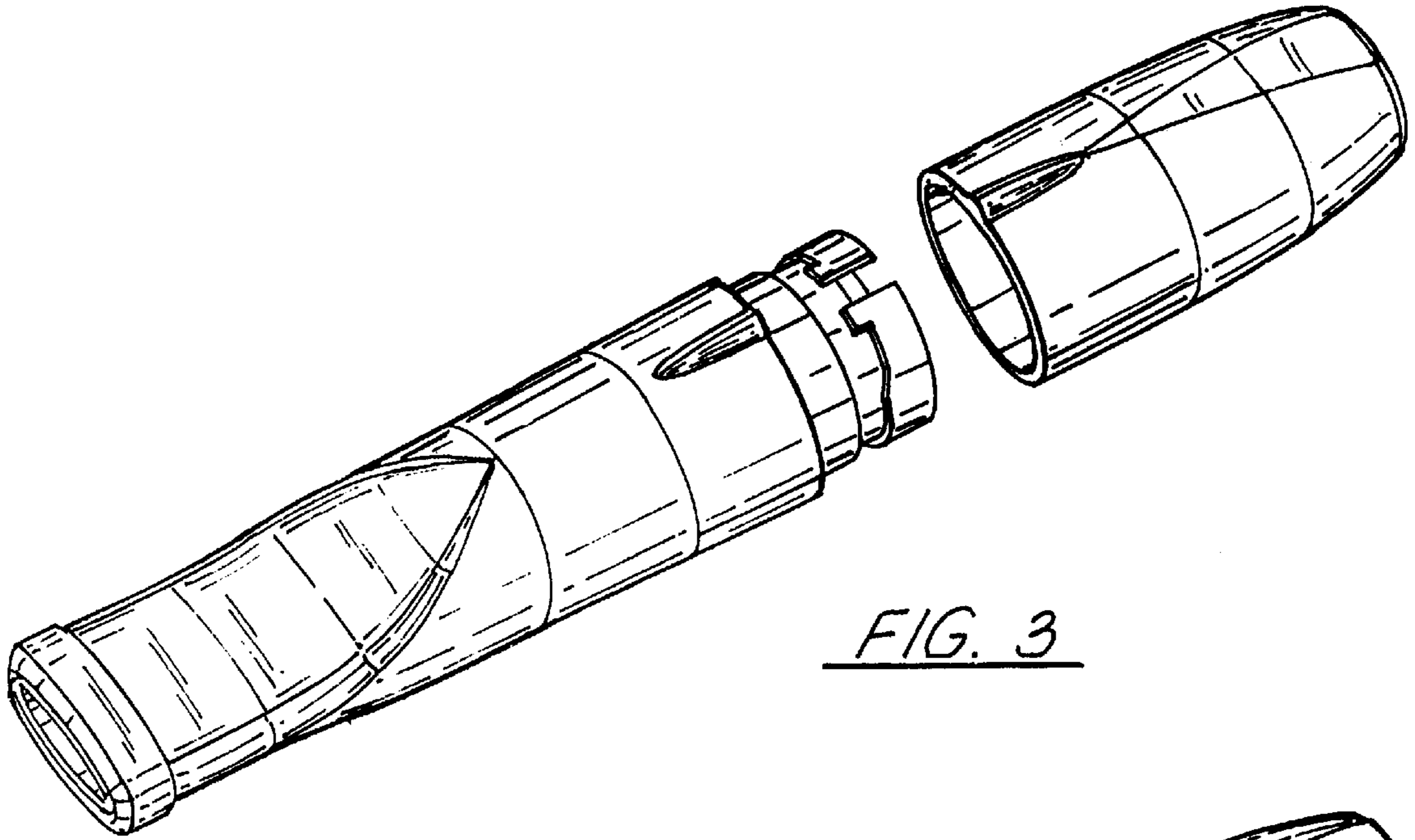


FIG. 3

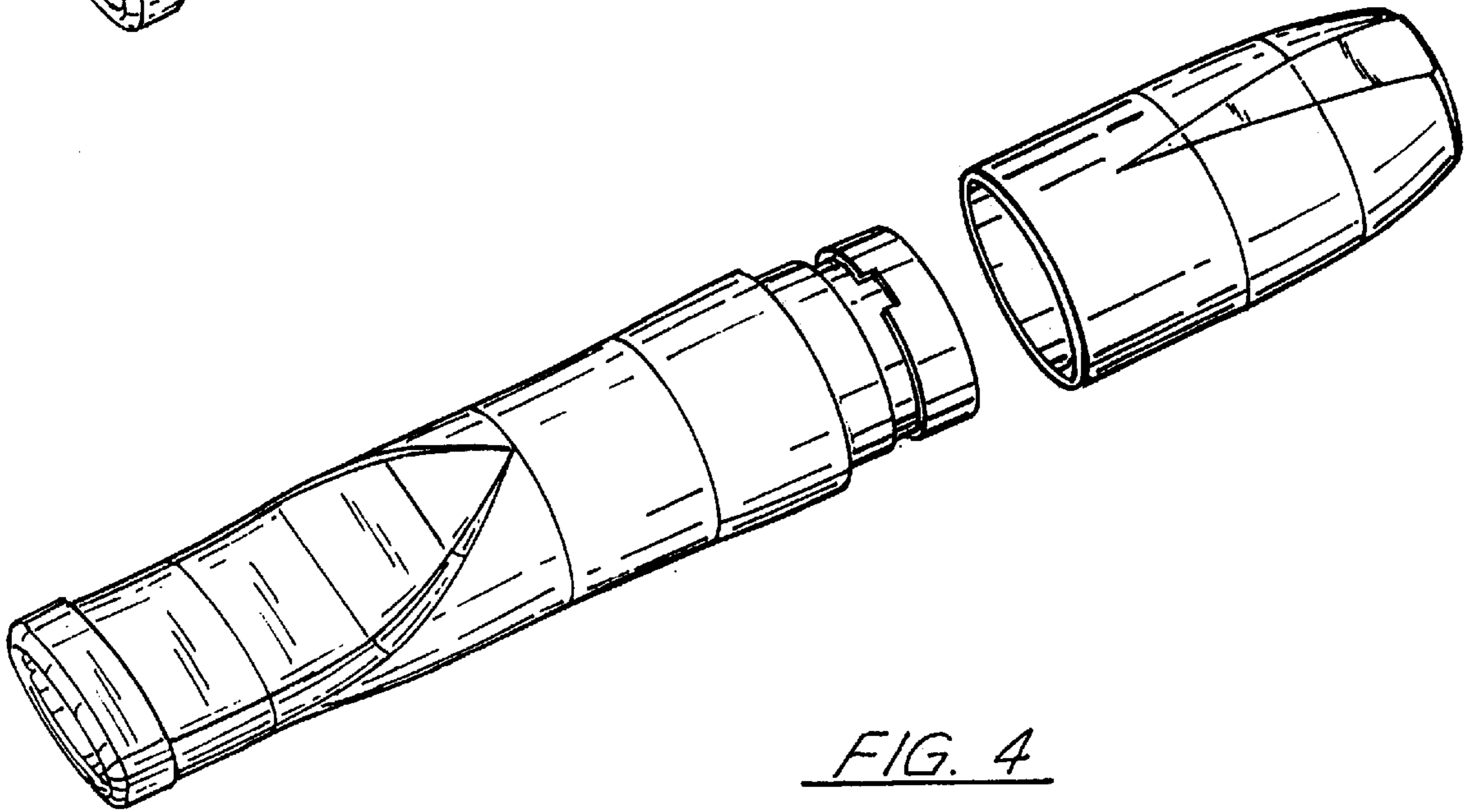


FIG. 4

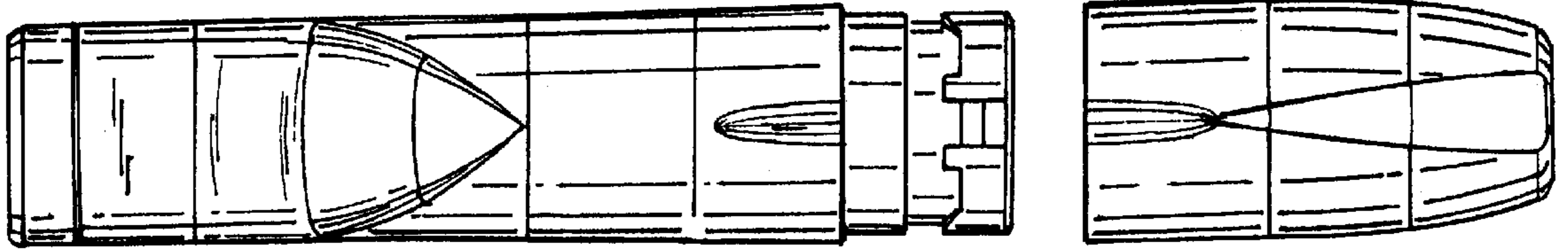


FIG. 5

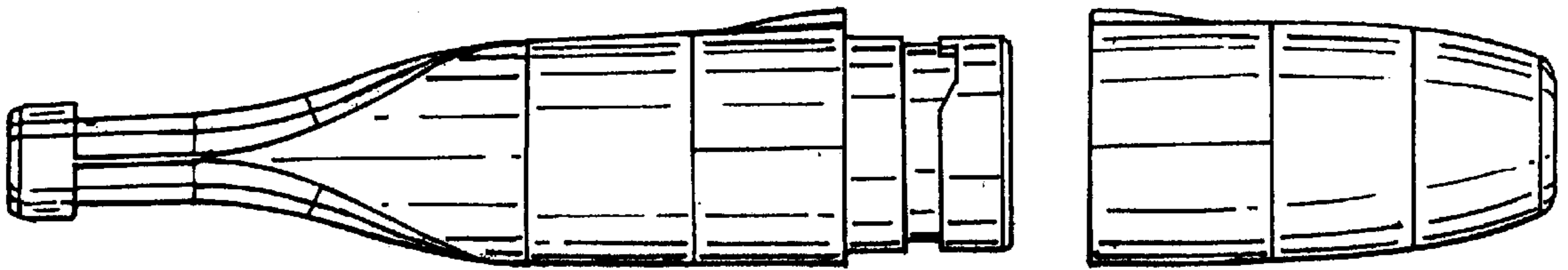


FIG. 6

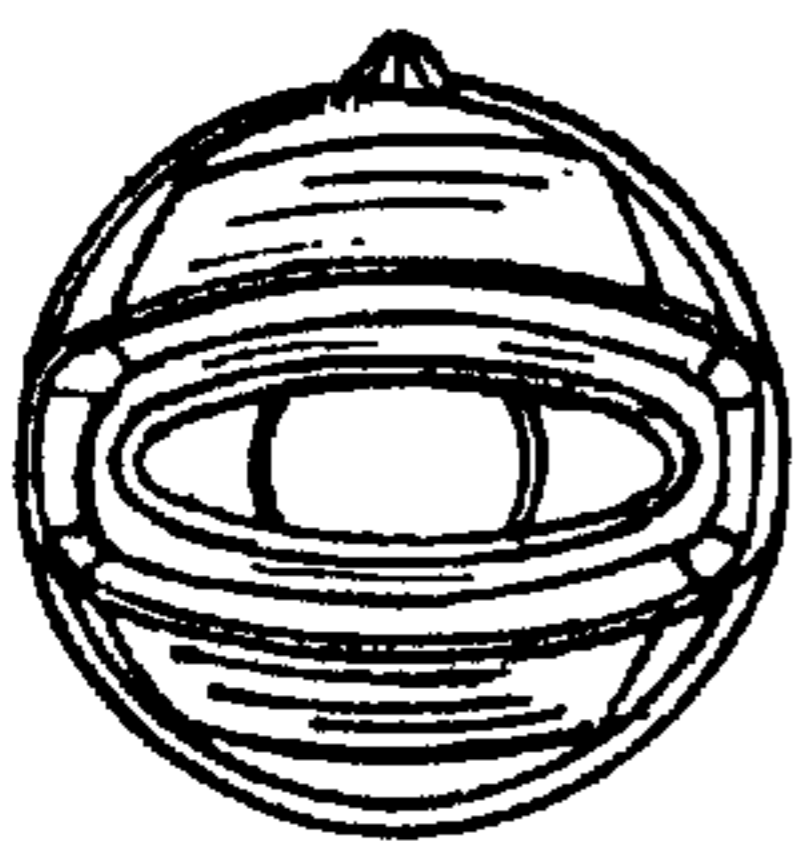


FIG. 7

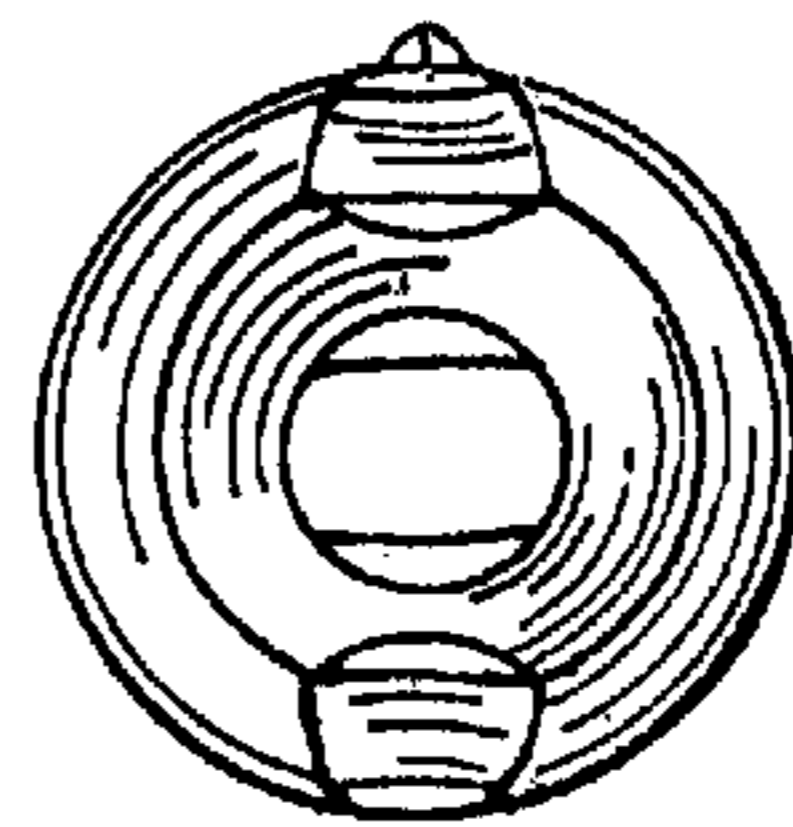


FIG. 8