



US00D416620S

United States Patent [19] Plociak

[11] Patent Number: **Des. 416,620**

[45] Date of Patent: **** Nov. 16, 1999**

[54] FIREPLACE TRAY FOR COLLECTING
ASHES

[76] Inventor: **Kevin Plociak**, 179 Council Rock Rd.,
Cranston, R.I. 02920

[**] Term: **14 Years**

[21] Appl. No.: **29/085,801**

[22] Filed: **Mar. 31, 1998**

[51] LOC (6) Cl. **23-03**

[52] U.S. Cl. **D23/420**

[58] Field of Search D23/420, 403;
D7/698; 126/555, 242, 243

[56] **References Cited**

U.S. PATENT DOCUMENTS

D. 382,956	8/1997	Collins	D23/420
D. 383,363	9/1997	Norton	D7/698
969,605	9/1910	Cudd	126/555
1,029,151	6/1912	Taylor	.	
1,189,389	7/1916	Ryan	126/555
1,944,626	1/1934	Allbert	126/67
2,162,579	6/1939	Hogan	126/555
4,279,239	7/1981	Blum	126/120

4,589,150	5/1986	Sciabarassi	D7/698
4,683,868	8/1987	Ferguson et al.	126/193
5,010,874	4/1991	Toth	126/543
5,067,476	11/1991	Rhodes, Jr.	126/540
5,513,625	5/1996	Landman	126/152 R

Primary Examiner—Philip S. Hyder
Attorney, Agent, or Firm—Barlow, Josephs & Holmes, Ltd.

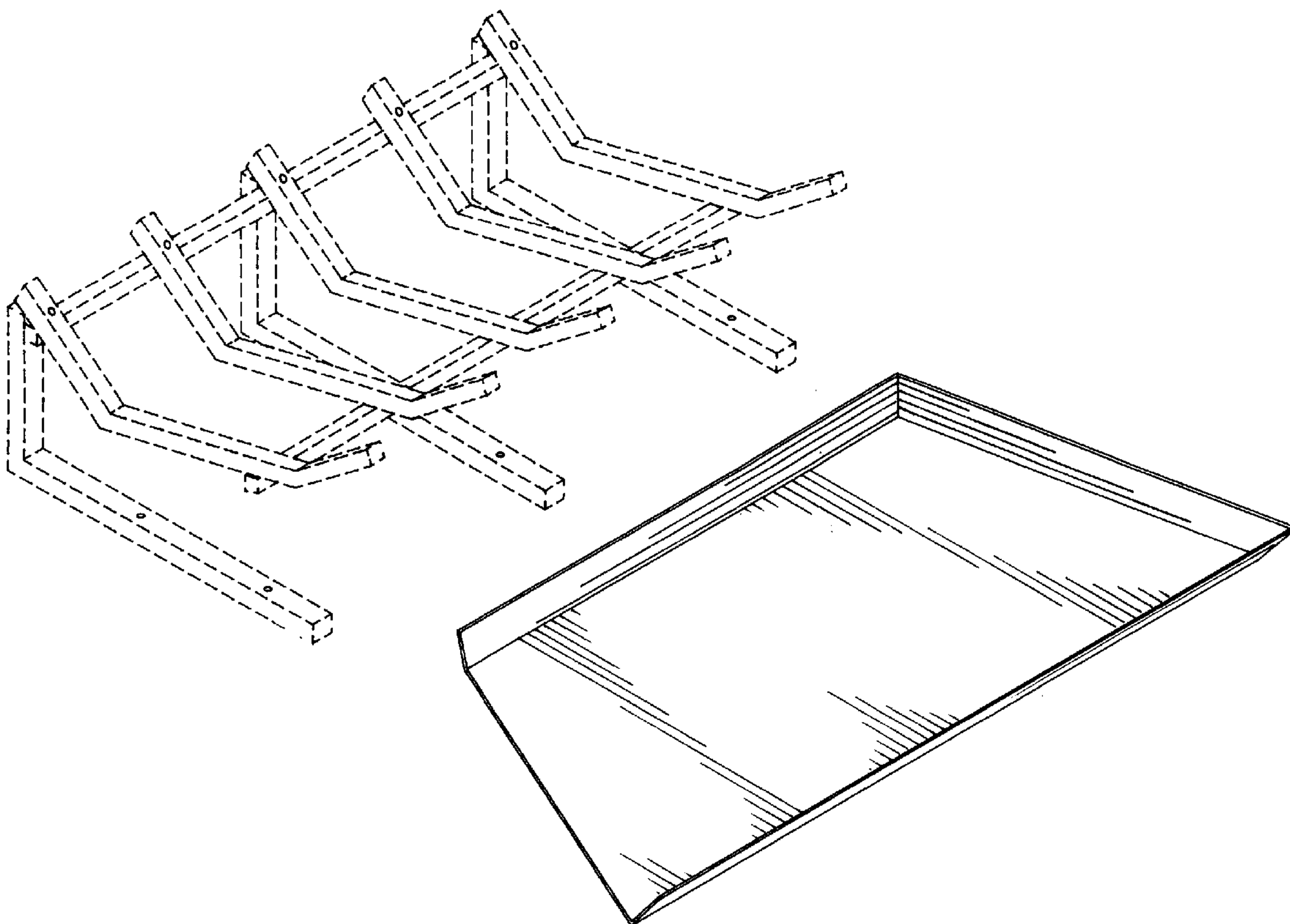
[57] **CLAIM**

The ornamental design for a fireplace tray for collecting ashes, as shown.

DESCRIPTION

FIG. 1 is a perspective view of a fireplace tray for collecting ashes showing my new design, wherein the broken line showing of the fireplace grate is for illustrative purposes only and forms no part of the claimed design;
FIG. 2 is a top view thereof;
FIG. 3 is a bottom view thereof;
FIG. 4 is a front elevational view thereof;
FIG. 5 is a rear elevational view thereof;
FIG. 6 is a left side elevational view thereof; and,
FIG. 7 is a right side elevational view thereof.

1 Claim, 2 Drawing Sheets



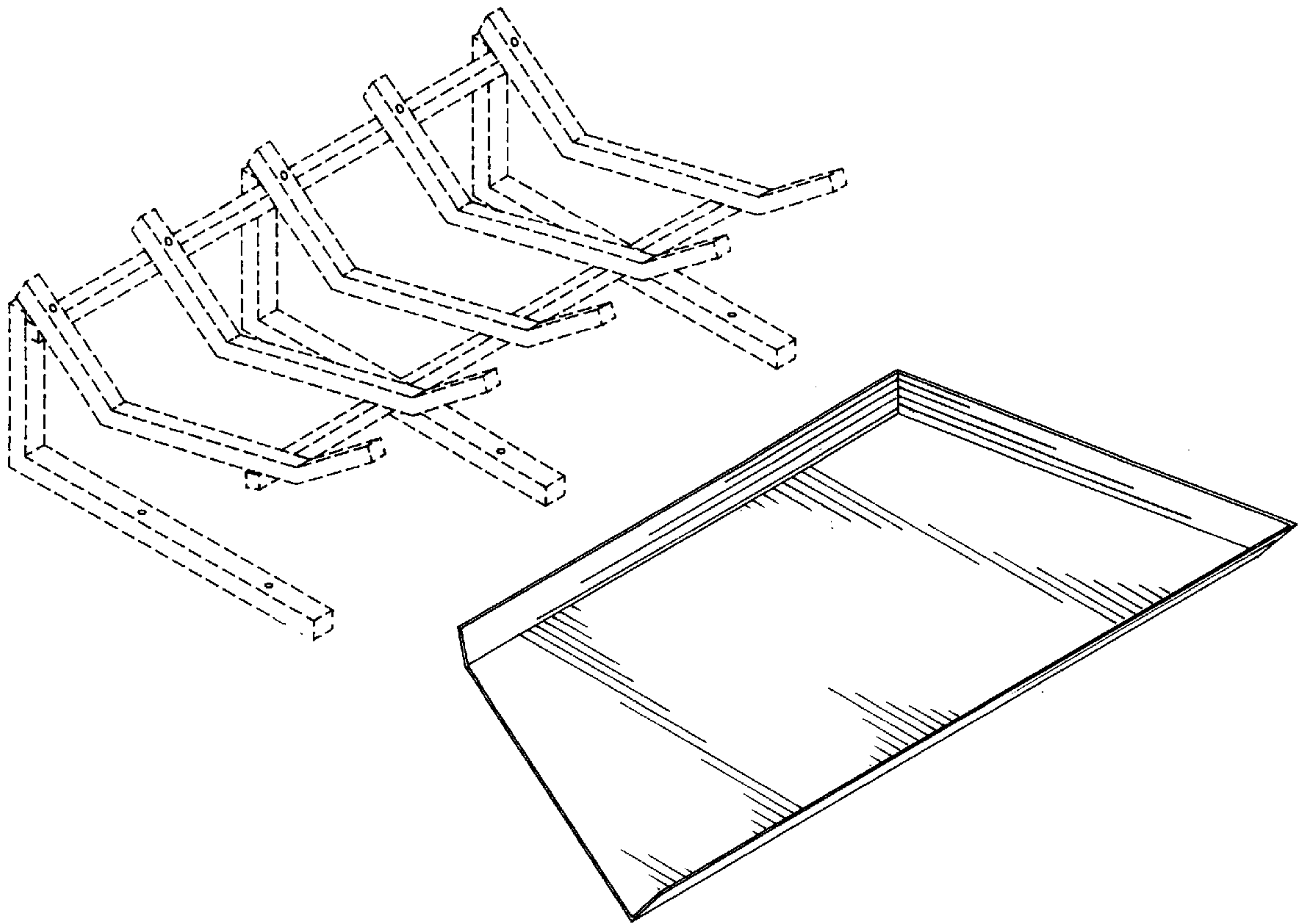


FIG. 1

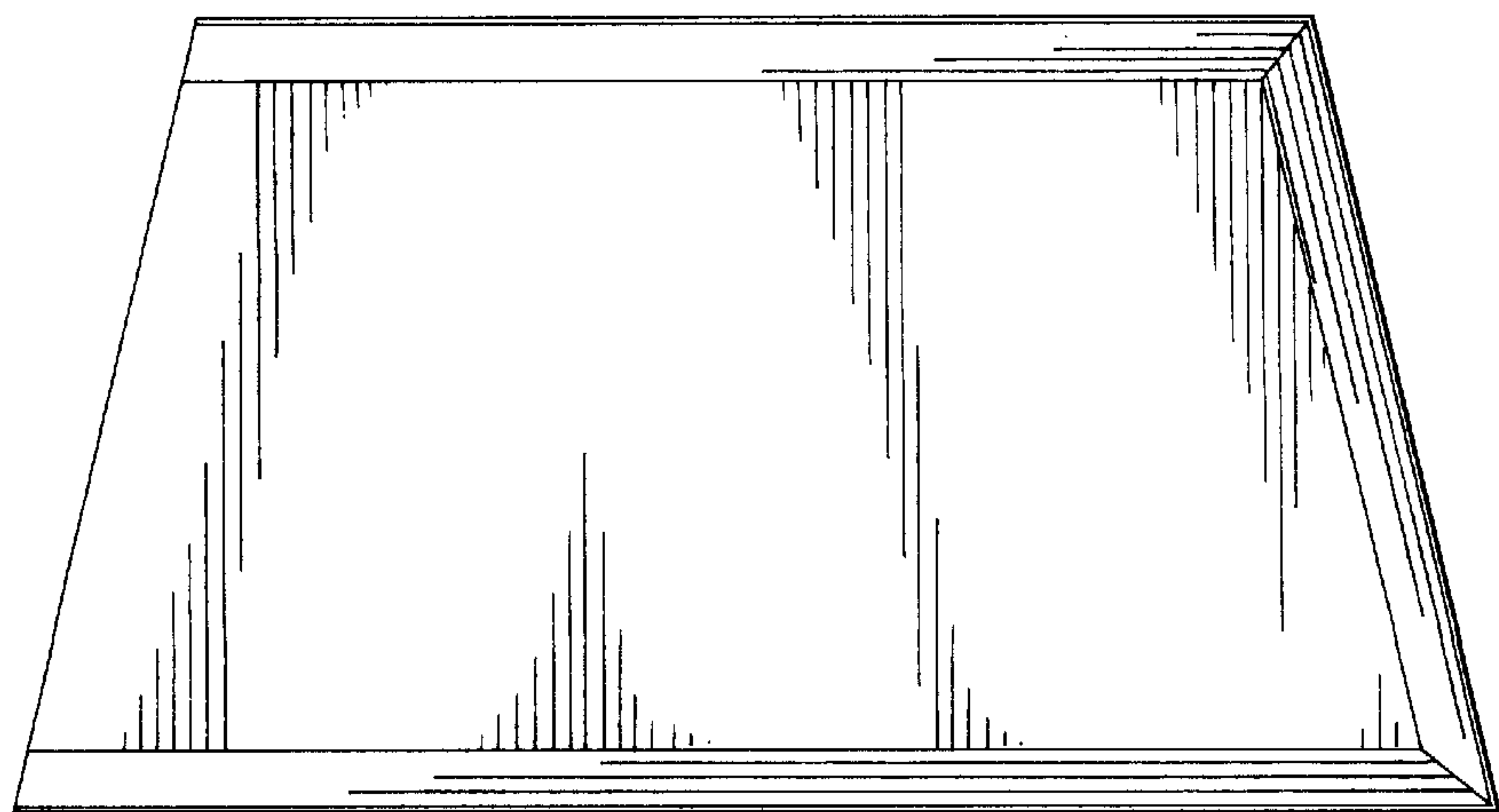


FIG. 2

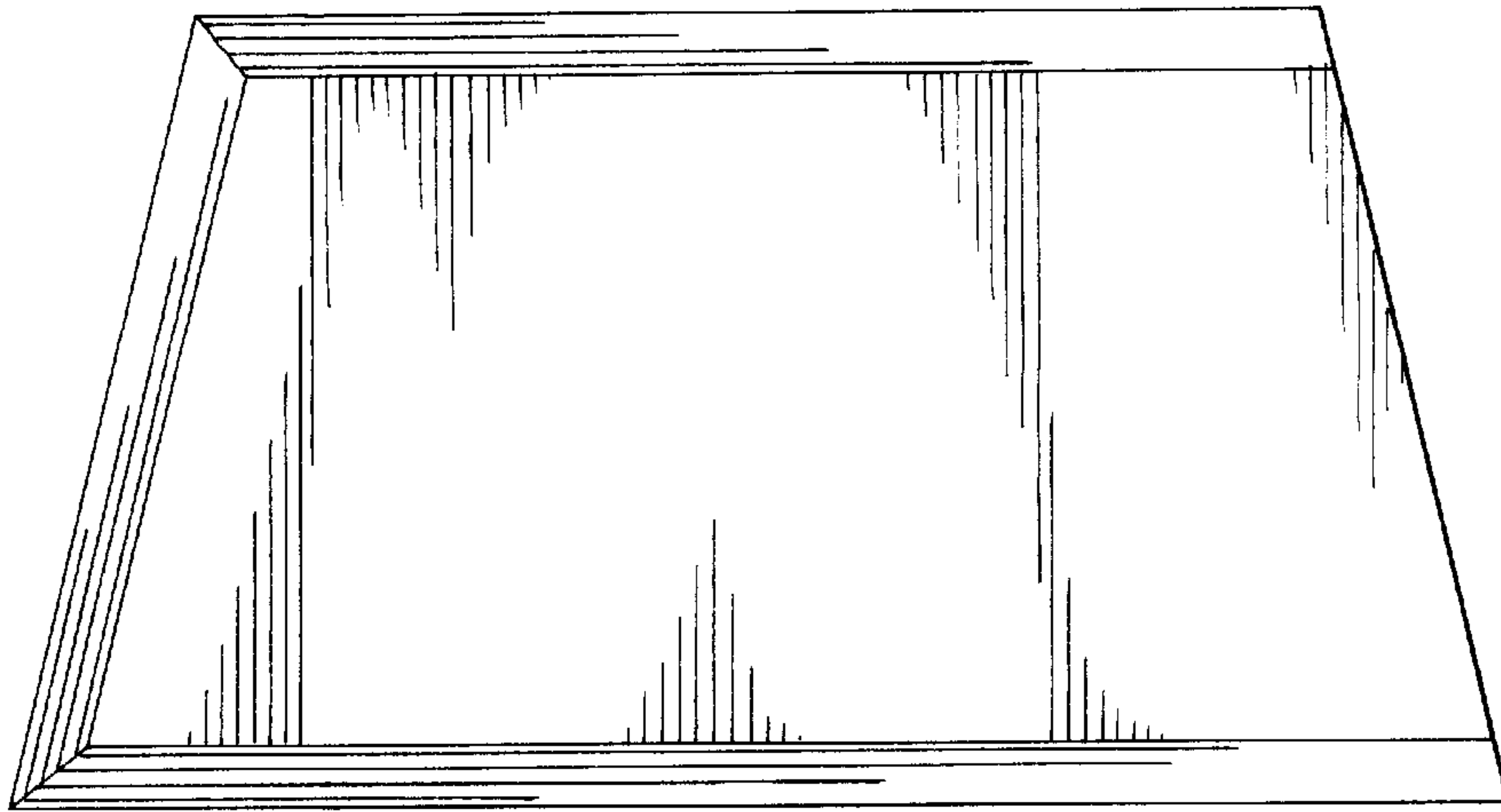


FIG. 3

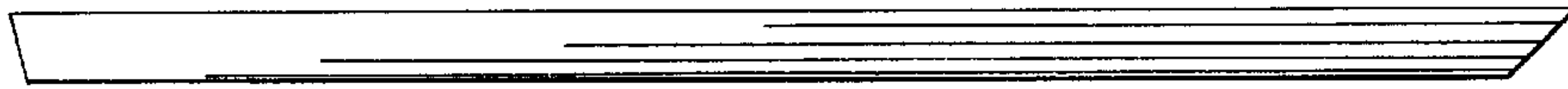


FIG. 4

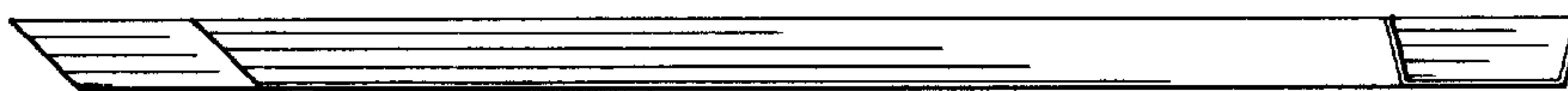


FIG. 5

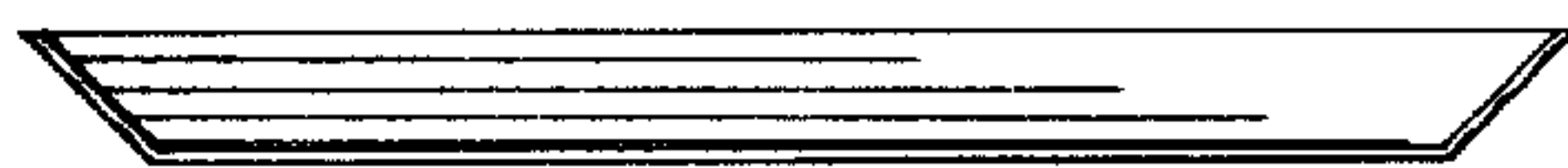


FIG. 6

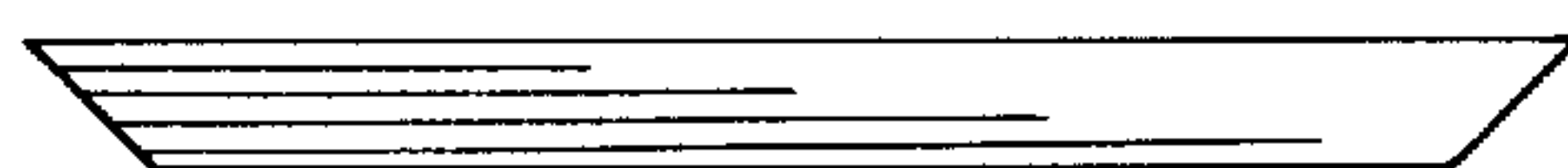


FIG. 7