



US00D416618S

**United States Patent** [19]  
**Birmingham**

[11] **Patent Number: Des. 416,618**

[45] **Date of Patent: \*\* Nov. 16, 1999**

[54] **AIRFLOW SPACING PLATE**

[76] Inventor: **Scott Birmingham**, 36 Oakes St.,  
Everett, Mass. 02149

[\*\*] Term: **14 Years**

[21] Appl. No.: **29/095,660**

[22] Filed: **Oct. 28, 1998**

[51] **LOC (6) Cl.** ..... **23-99**

[52] **U.S. Cl.** ..... **D23/386**

[58] **Field of Search** ..... D23/386-393;  
123/184.46, 184.32, 184.39, 124, 141; 261/18 B

[56] **References Cited**

**U.S. PATENT DOCUMENTS**

Re. 27,378	5/1972	Lohn	.....	123/184.46
2,966,150	12/1960	Wiltshire et al.	.....	123/184.46
3,943,900	3/1976	Primrose	.....	123/141
4,167,166	9/1979	Varner et al.	.....	123/124
4,415,507	11/1983	Voliva	.....	261/18 B
5,619,960	4/1997	Spacing Block	.	

*Primary Examiner*—Mitchell Siegel  
*Attorney, Agent, or Firm*—Barlow, Josephs & Holmes, Ltd.

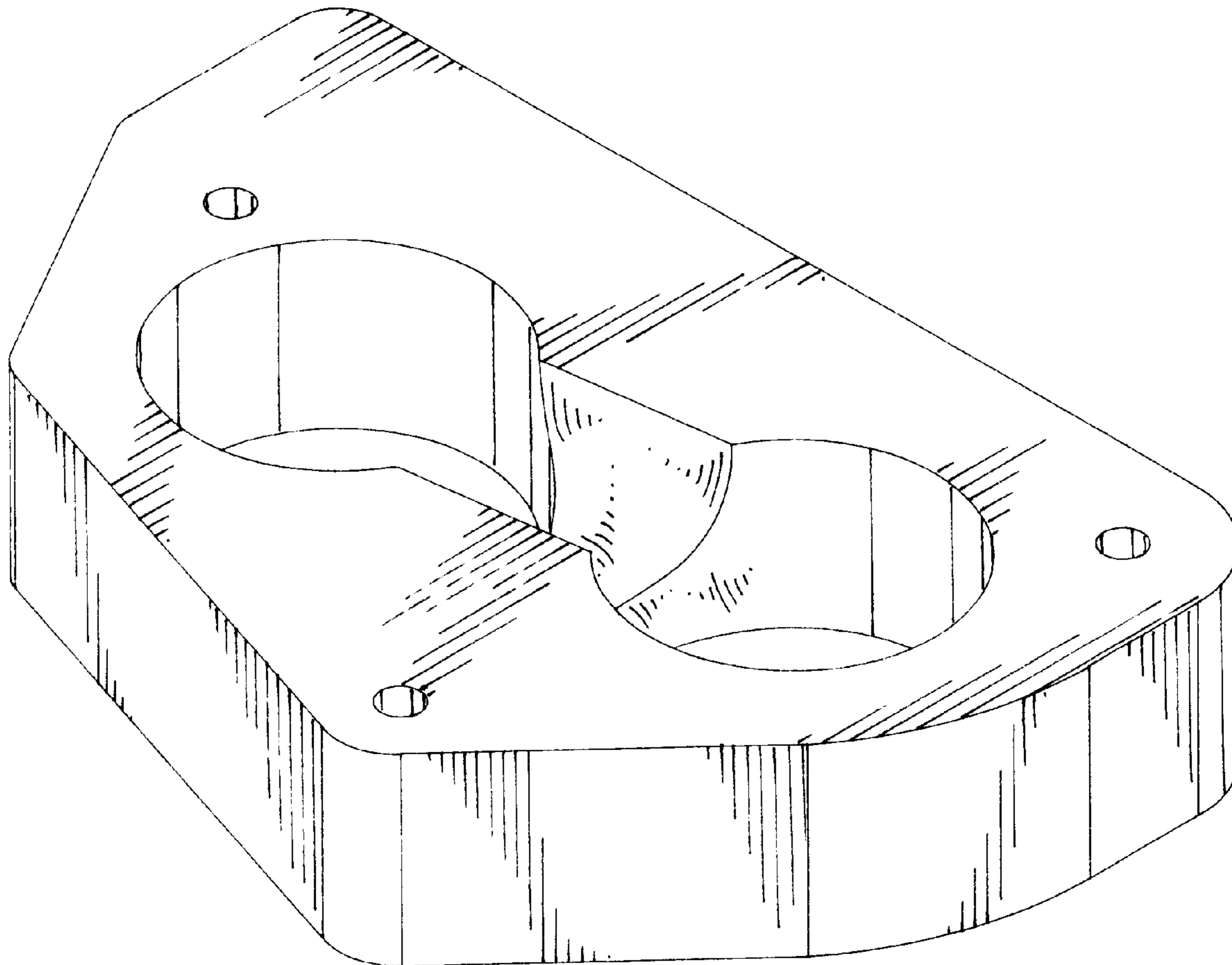
[57] **CLAIM**

The ornamental design for an airflow spacing plate, as shown and described.

**DESCRIPTION**

FIG. 1 is a perspective view of my new design for an airflow spacing plate;  
FIG. 2 is a top view thereof;  
FIG. 3 is a bottom view thereof;  
FIG. 4 is a enlarged fragmented cross-sectional view thereof as taken along line 4—4 of FIG. 2;  
FIG. 5 is another enlarged fragmented cross-sectional view thereof as taken along line 5—5 of FIG. 2;  
FIG. 6 is yet another enlarged fragmented cross-sectional view thereof as taken along line 6—6 of FIG. 2; and  
FIG. 7 is a front view of FIG. 1;  
FIG. 8 is a rear view of FIG 1;  
FIG. 9 is a right side view of FIG. 1; and  
FIG. 10 is a left side view of FIG. 1.

**1 Claim, 4 Drawing Sheets**



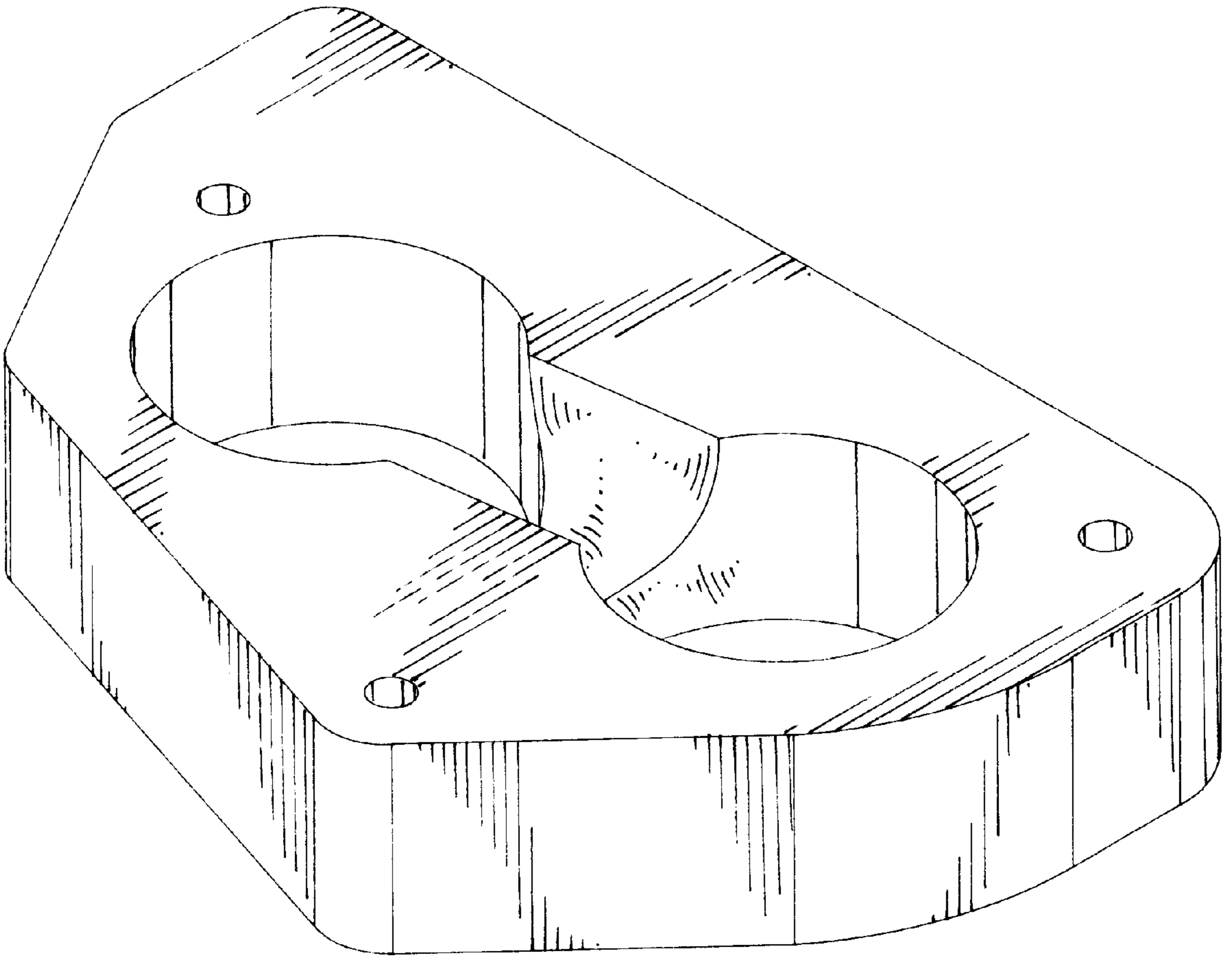


FIG. 1

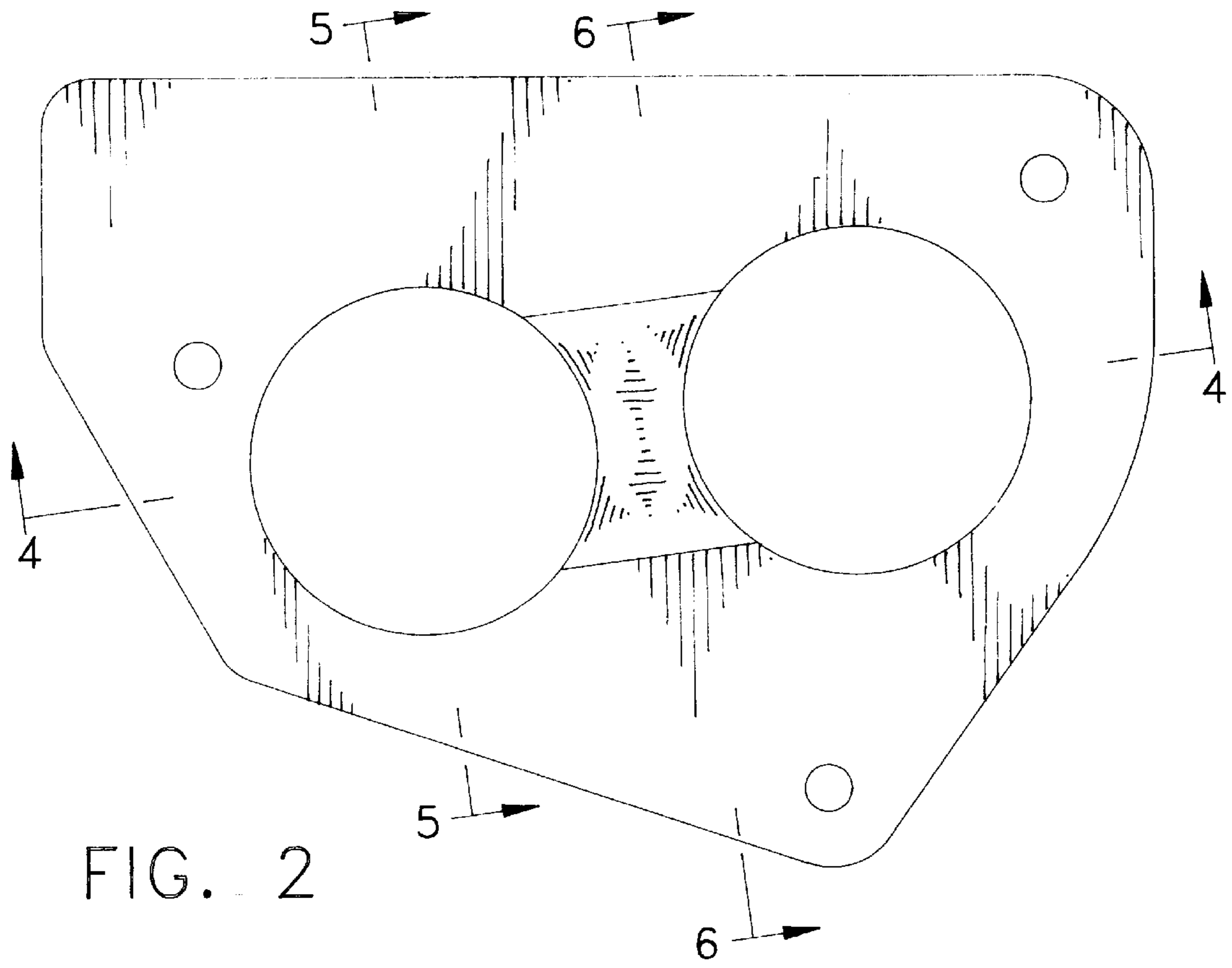


FIG. 2

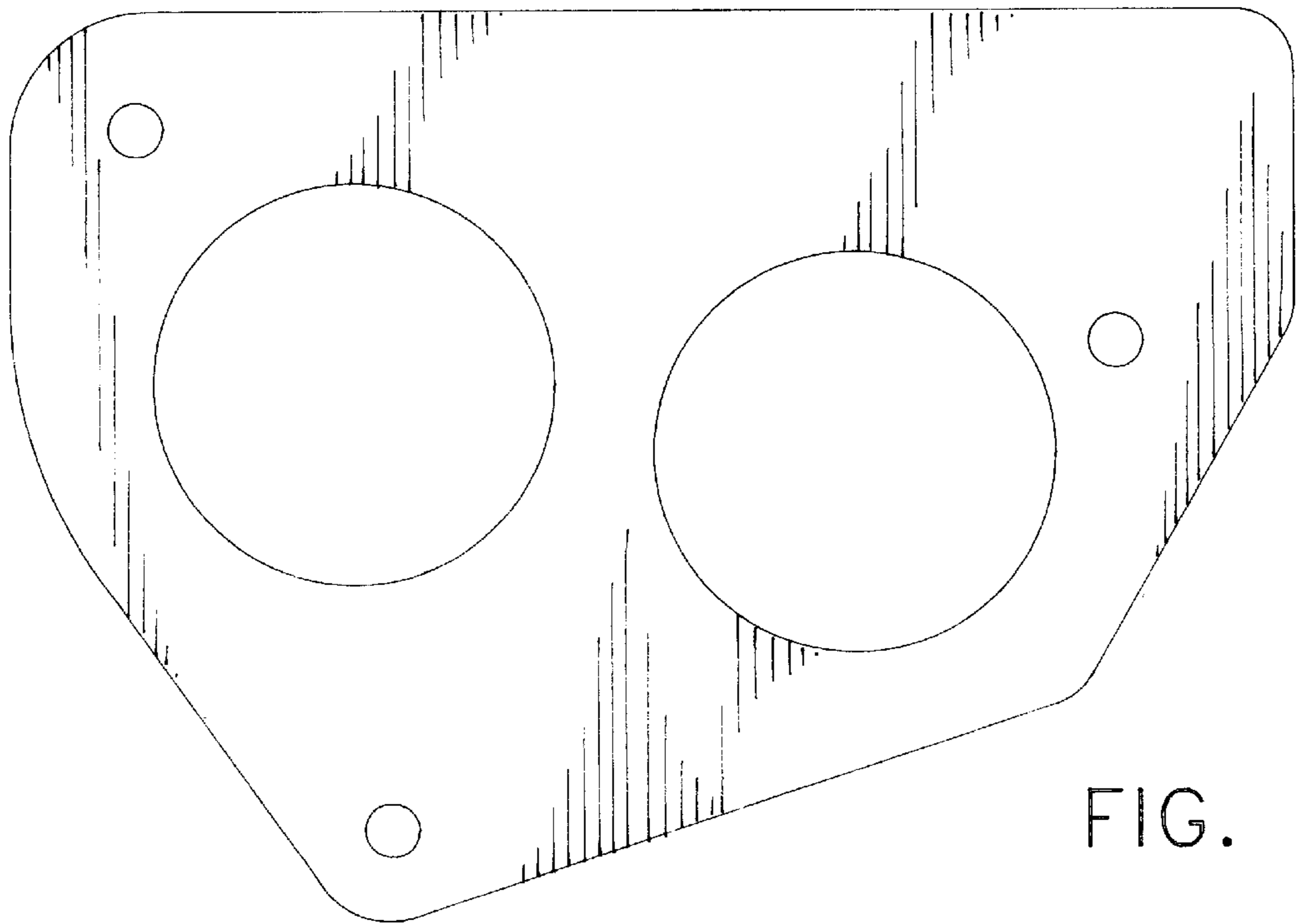


FIG. 3

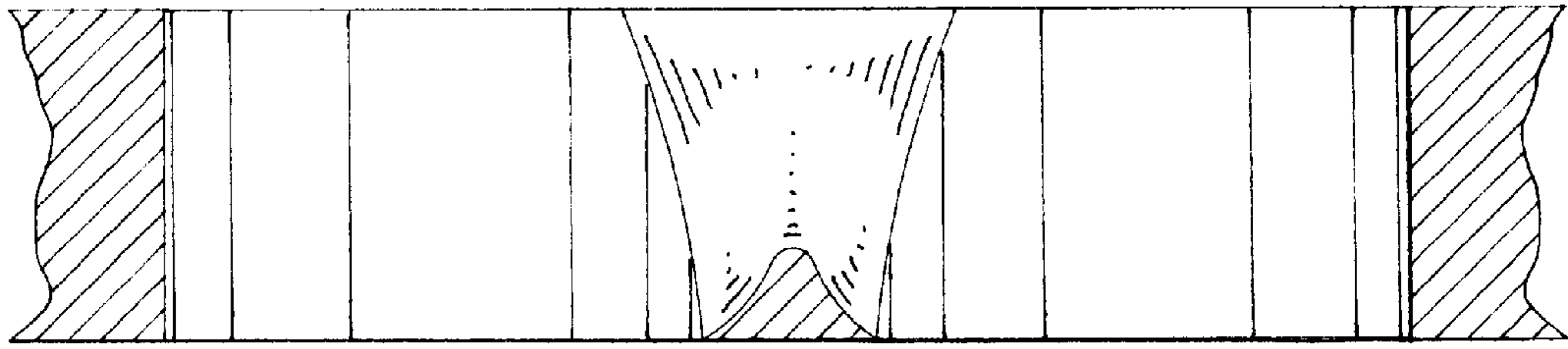


FIG. 4

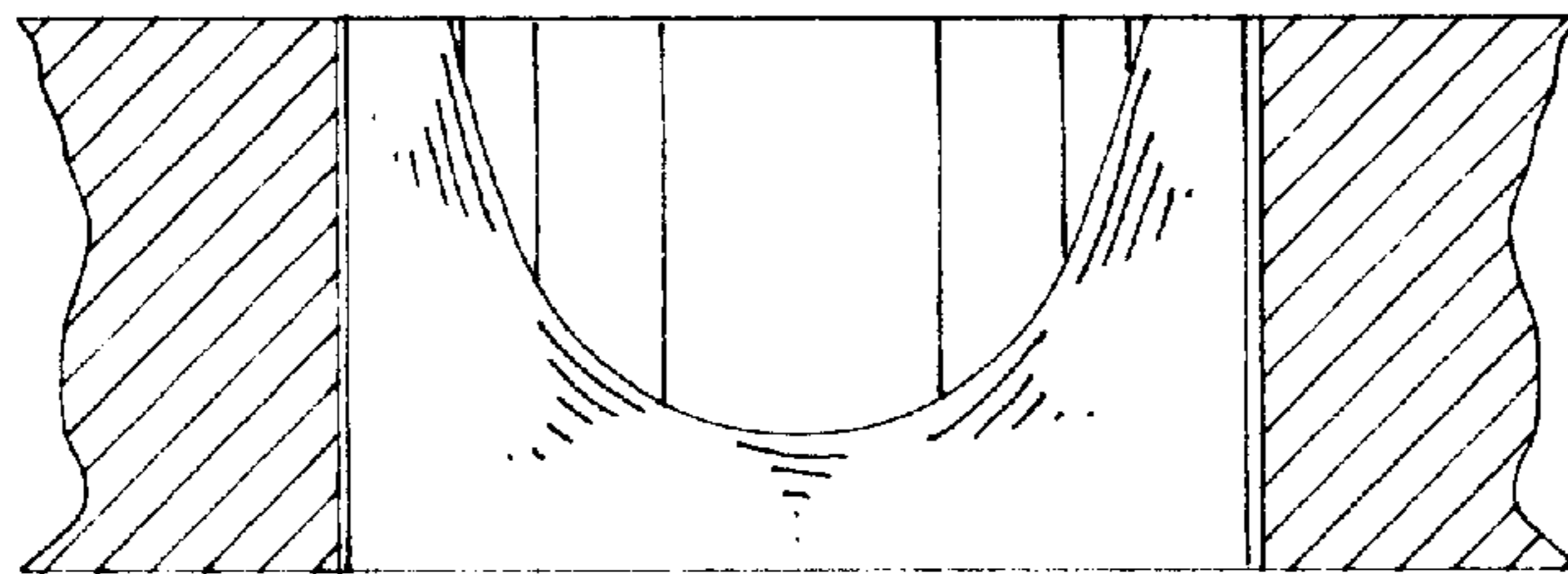


FIG. 5

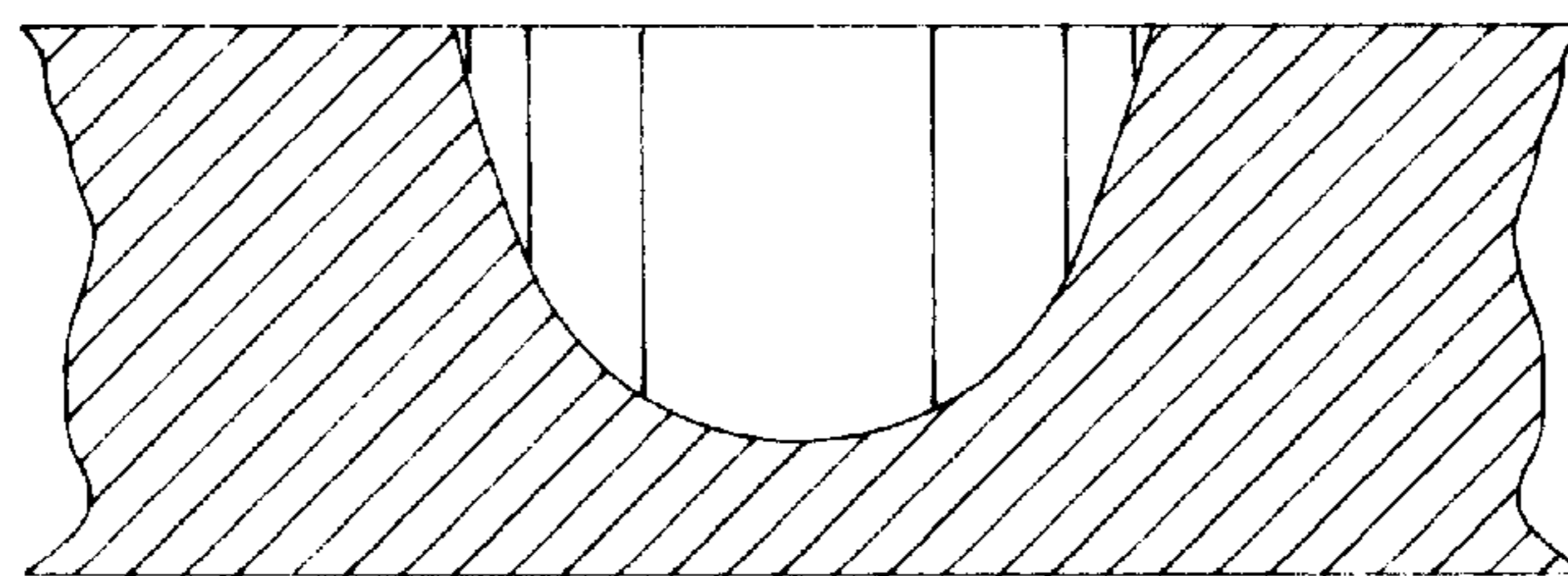


FIG. 6

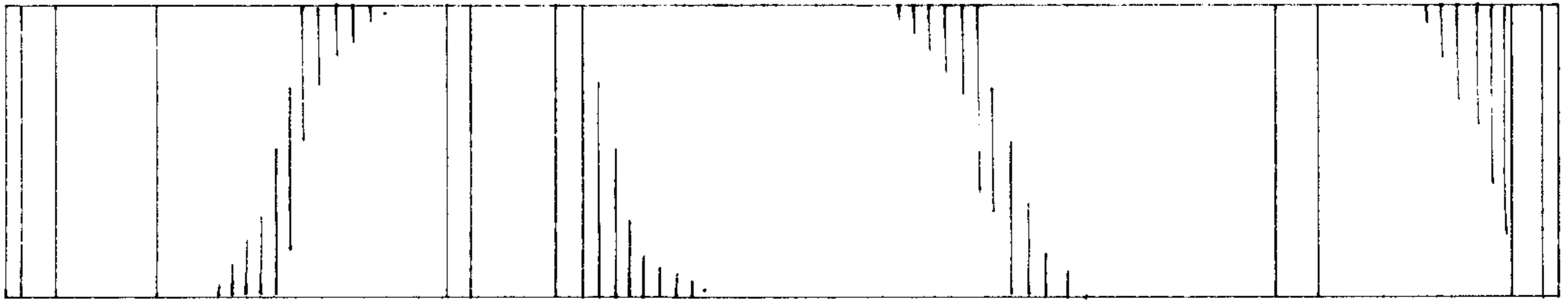


FIG. 7

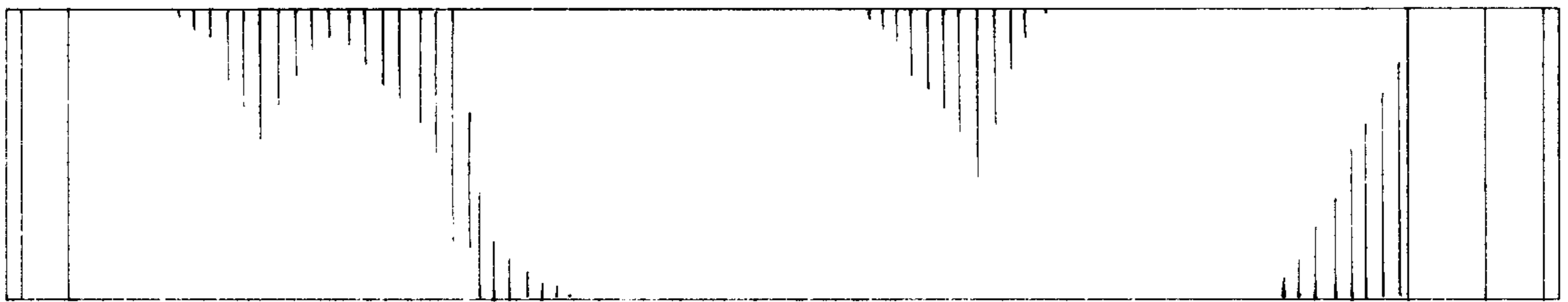


FIG. 8

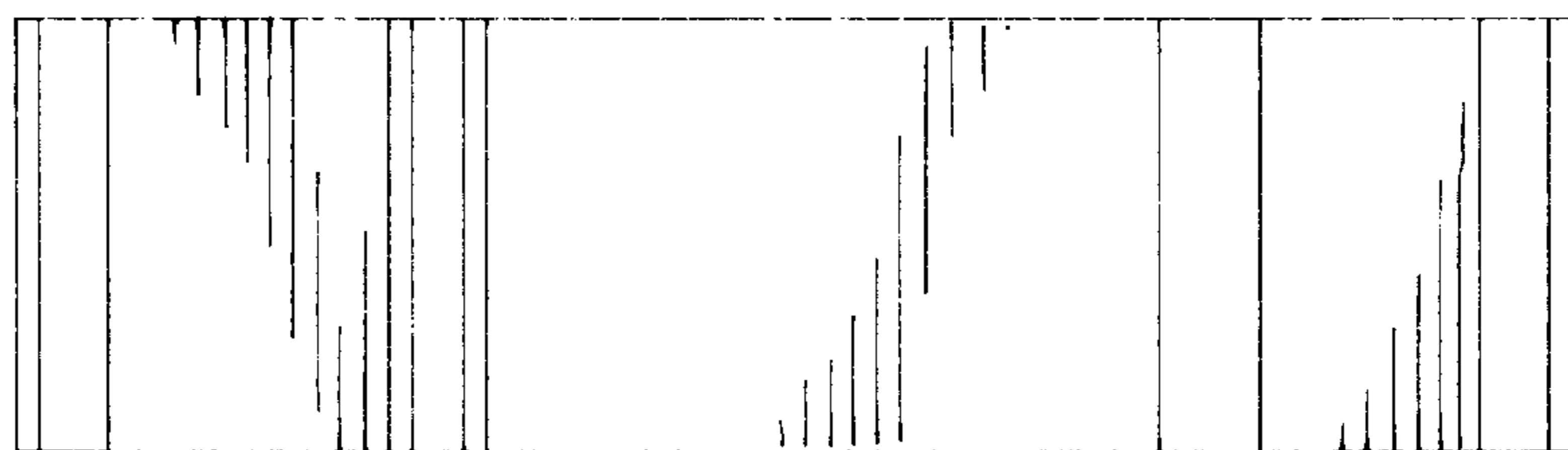


FIG. 9

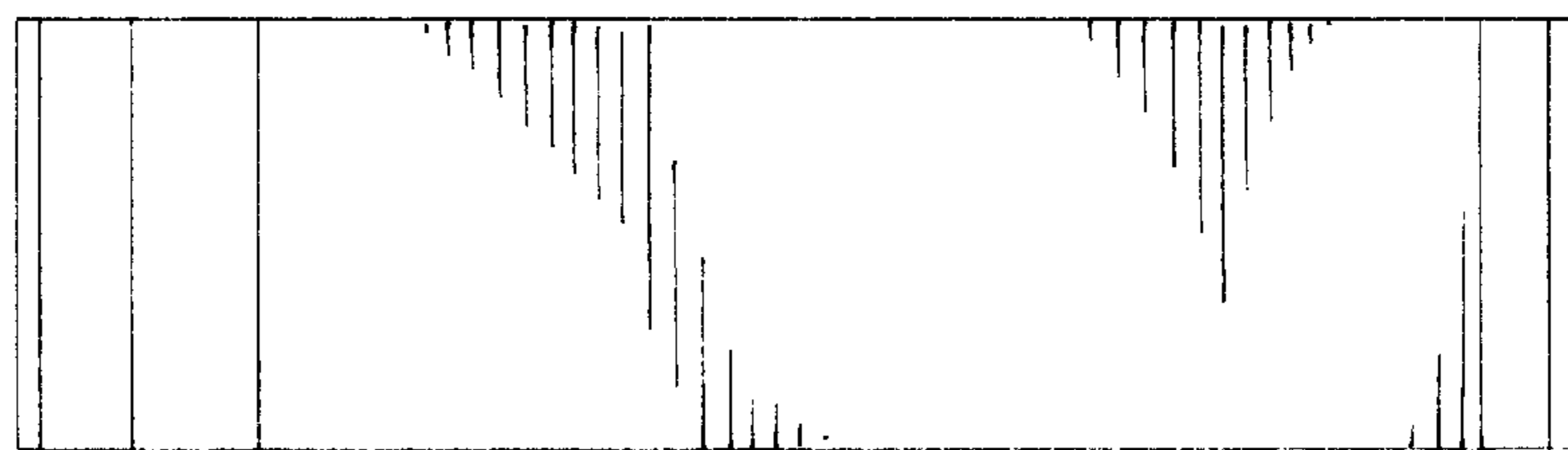


FIG. 10