



US00D416617S

United States Patent [19]

Jane' et al.

[11] Patent Number: **Des. 416,617**

[45] Date of Patent: **** Nov. 16, 1999**

[54] FLOOR FAN

[75] Inventors: **Rodney Jane'**, Westboro; **Diane Allen**, Marlborough, both of Mass.; **Jui-Shang Wang**, Taipei, Taiwan; **Stanley Gresens**, Homewood, Ill.

[73] Assignee: **Honeywell Consumer Products, Inc.**, Southborough, Mass.

[**] Term: **14 Years**

[21] Appl. No.: **29/048,894**

[22] Filed: **Jan. 16, 1996**

[51] LOC (6) Cl. **23-04**

[52] U.S. Cl. **D23/378; D23/381; D23/382**

[58] Field of Search D23/378, 381, D23/382, 411, 412, 413; 416/244 R, 247 R; 248/127

[56] References Cited

U.S. PATENT DOCUMENTS

D. 314,047	1/1991	Wang	D23/378
D. 314,428	2/1991	Wang	D23/378
D. 316,599	4/1991	Wang	D23/378
D. 341,652	11/1993	Marino	D23/378

D. 346,440 4/1994 Chiu et al. D23/378

OTHER PUBLICATIONS

Hong Kong Enterprise, Oct. 1993, p. 400 Fan A, lower-middle of page.

Primary Examiner—Lisa Lichtenstein
Attorney, Agent, or Firm—Loletta L. Darden

[57] CLAIM

The ornamental design for a floor fan, as shown and described.

DESCRIPTION

FIG. 1 shows a front perspective view of a floor fan incorporating our design.

FIG. 2 shows a rear perspective view of the floor fan shown in FIG. 1.

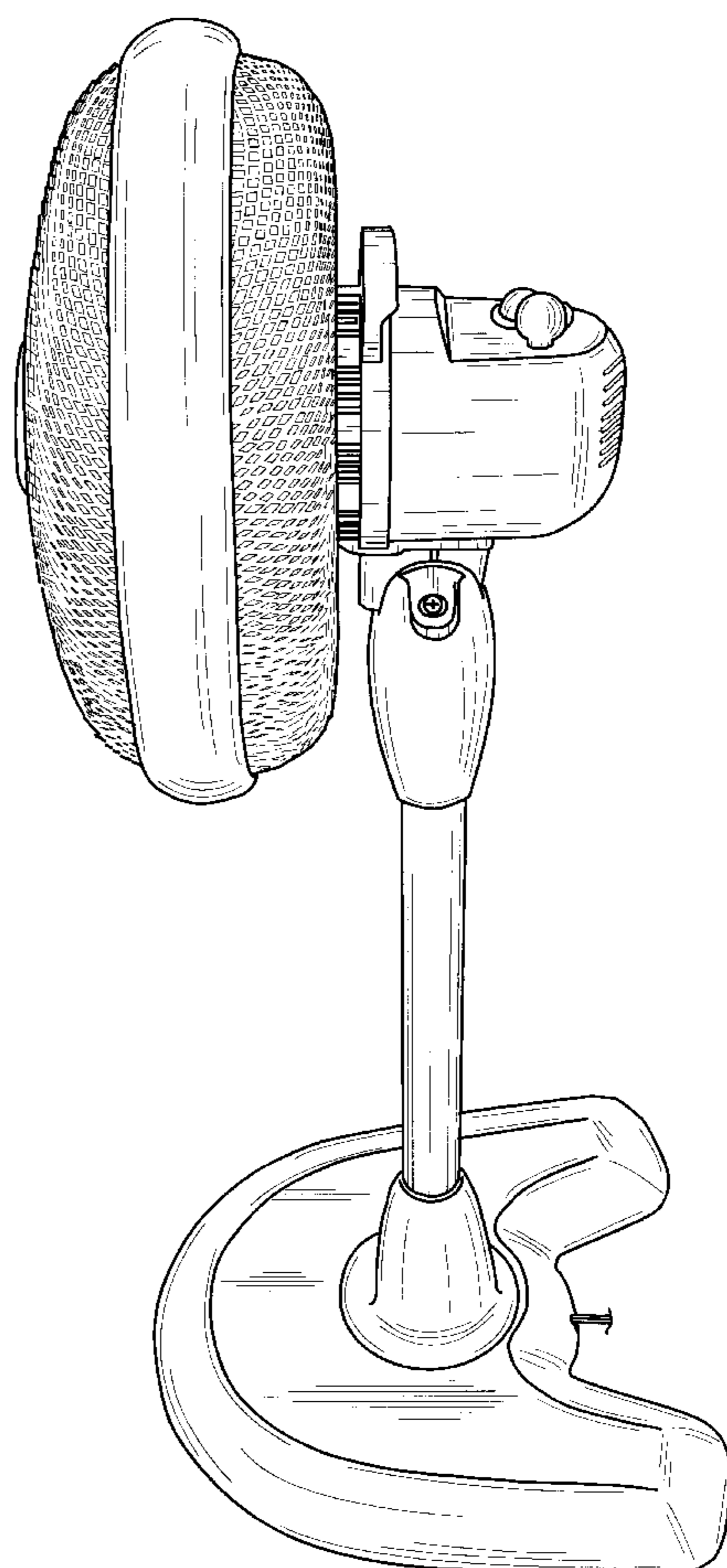
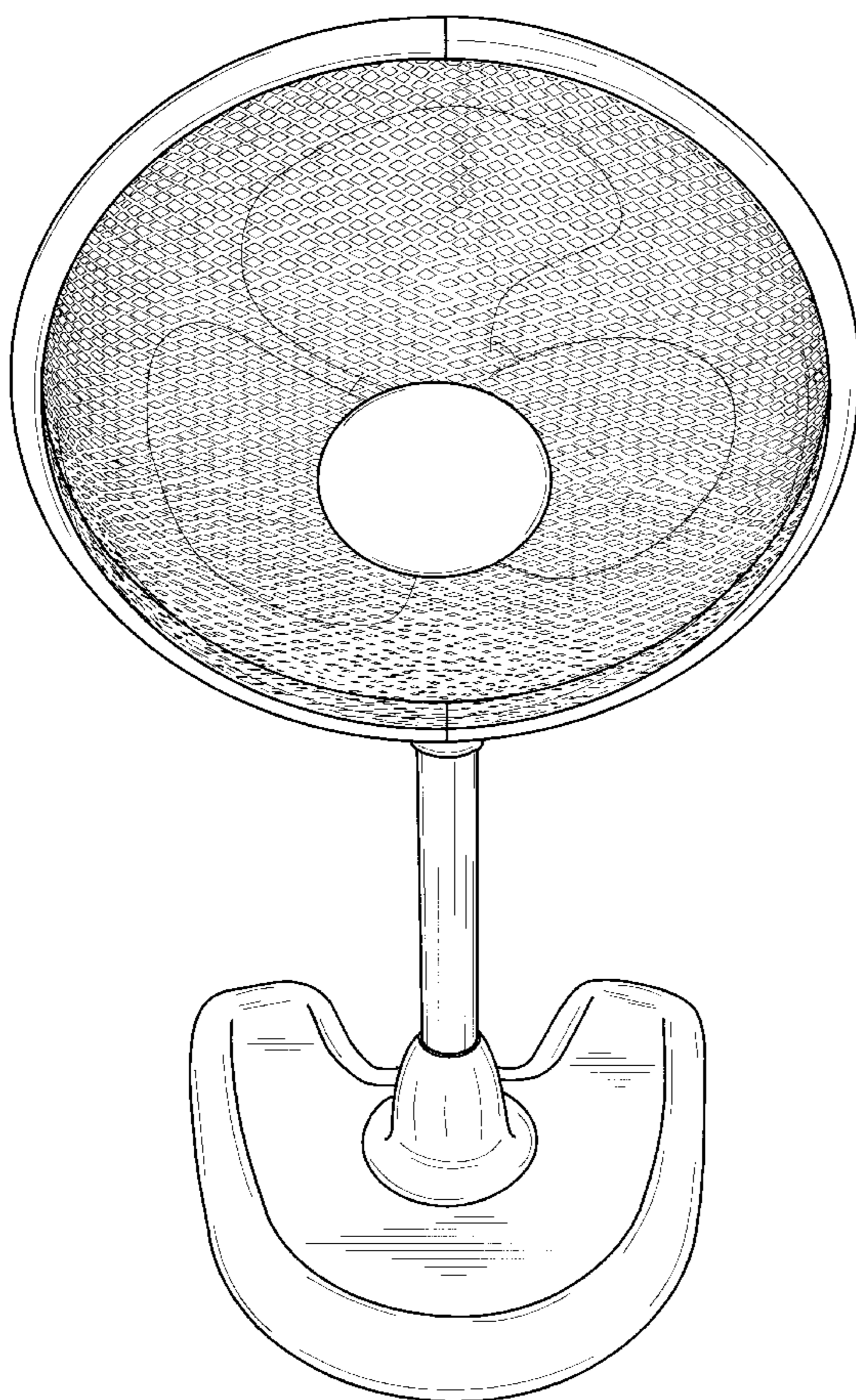
FIG. 3 shows a left side perspective view of the floor fan shown in FIG. 1,

FIG. 4 shows a right side perspective view of the floor fan shown in FIG. 1; and,

FIG. 5 shows a top plan view of the floor fan shown in FIG. 1.

The bottom of the design is flat and unornamented.

1 Claim, 5 Drawing Sheets



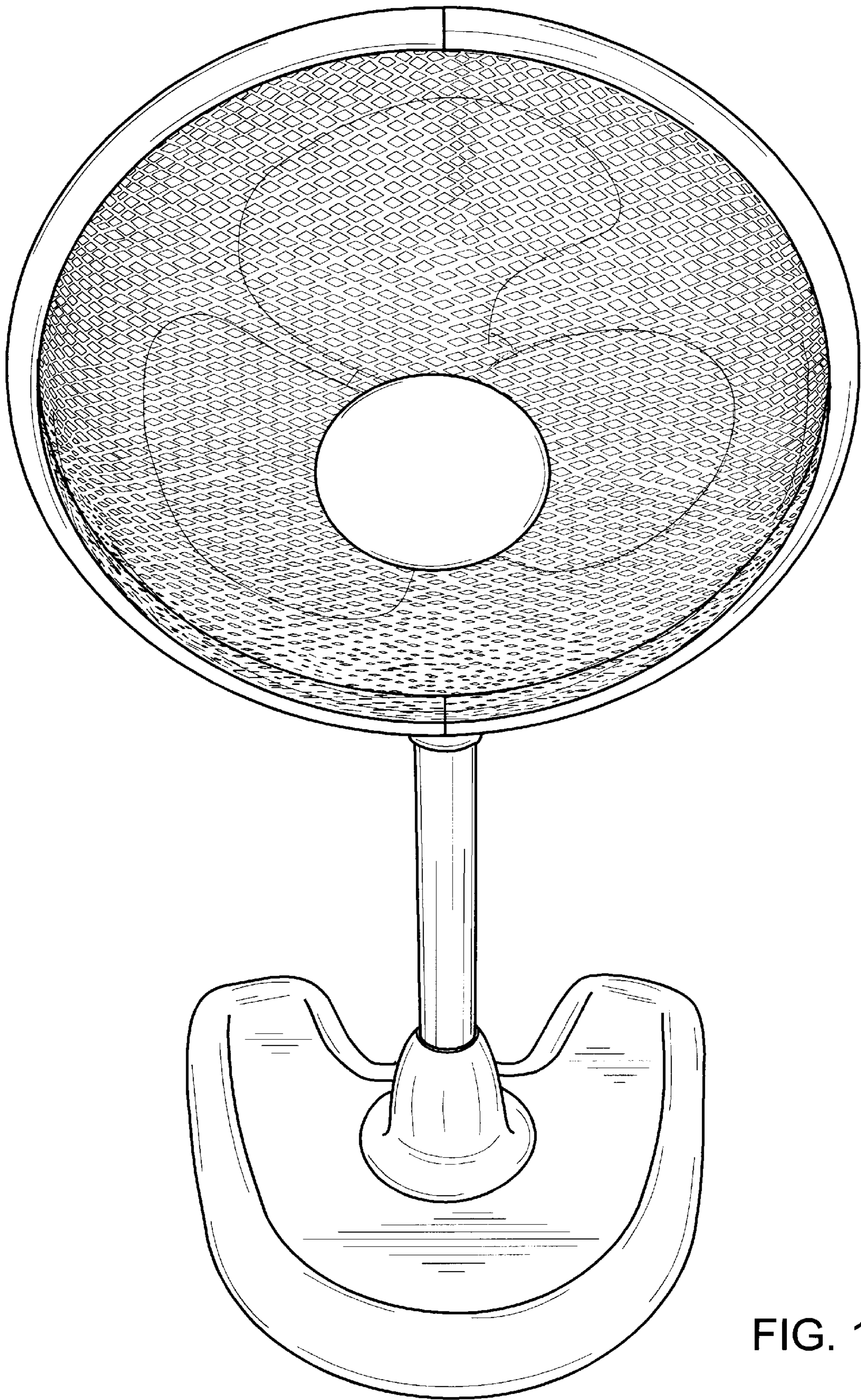


FIG. 1

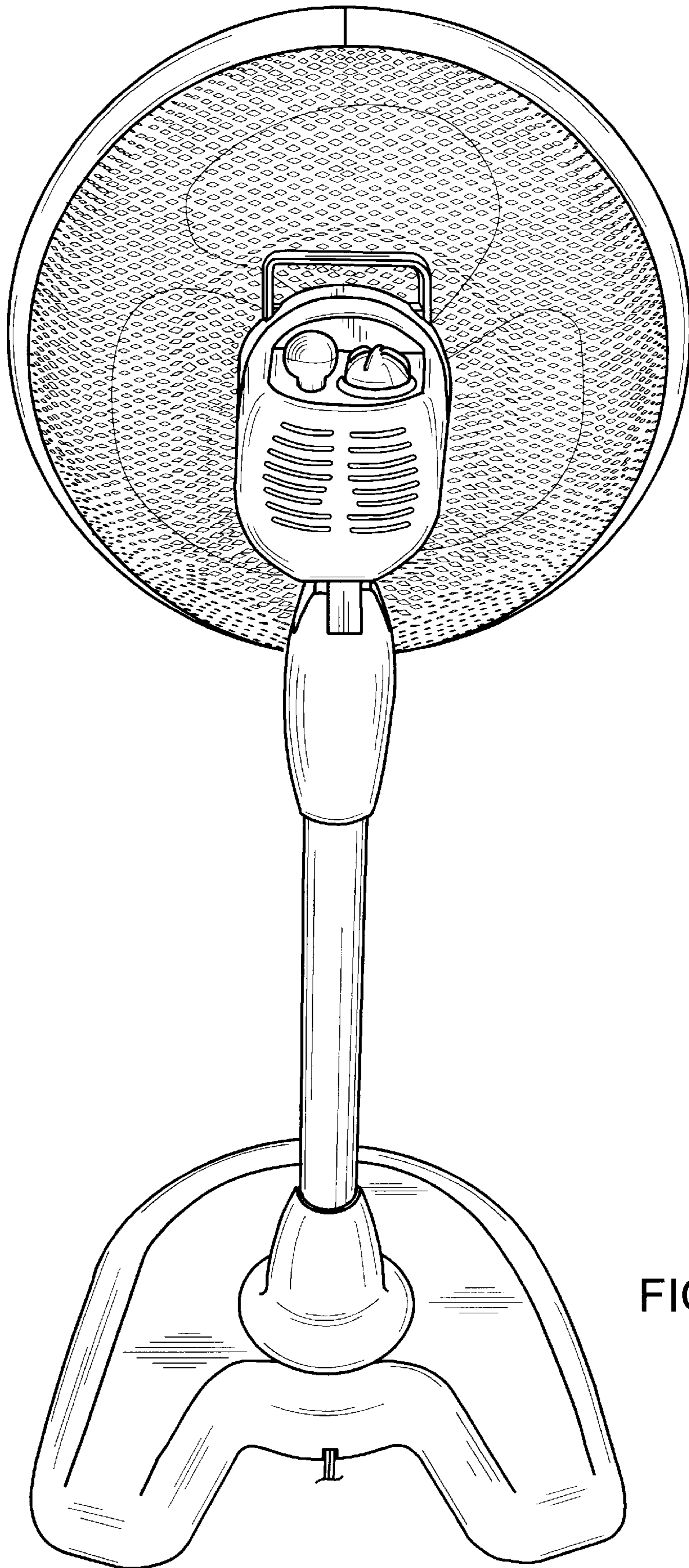


FIG. 2

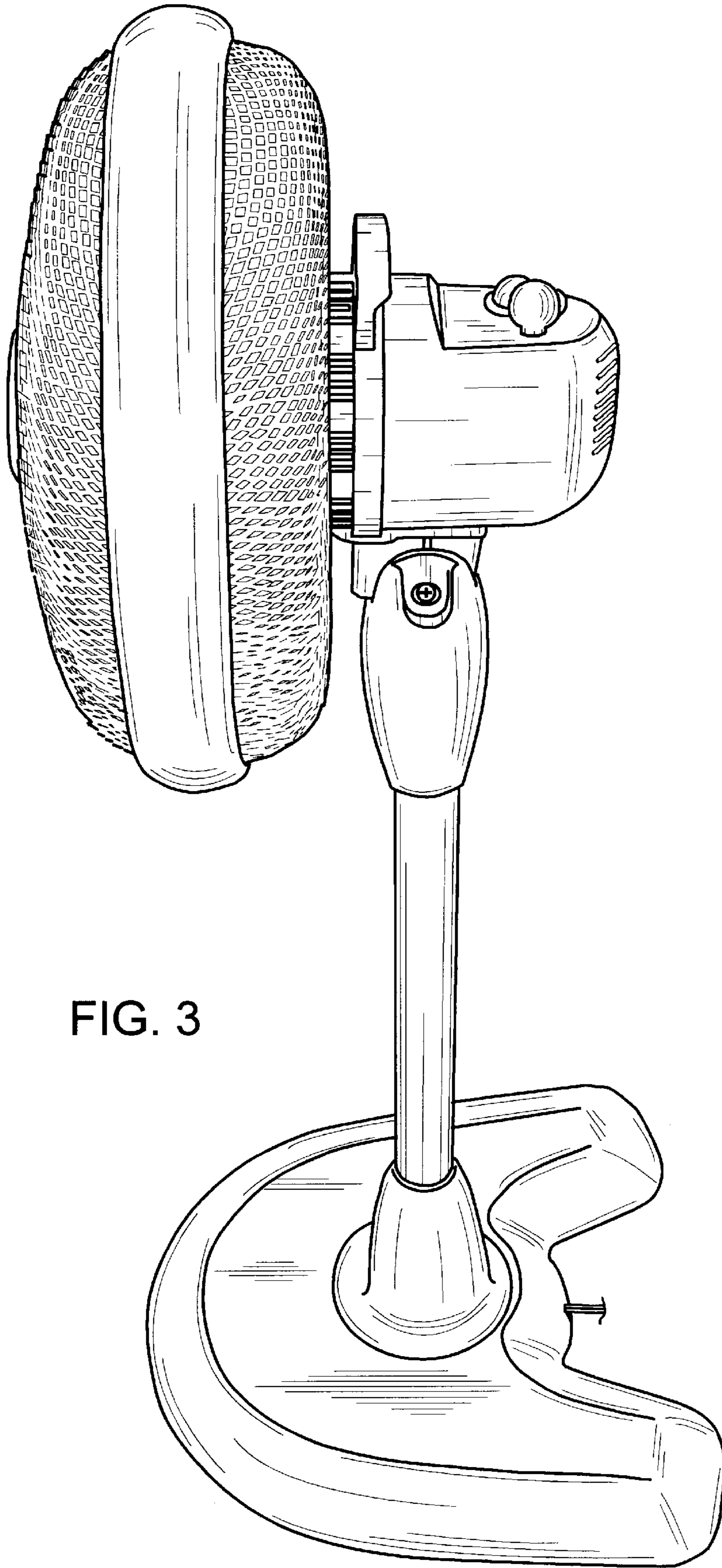


FIG. 3

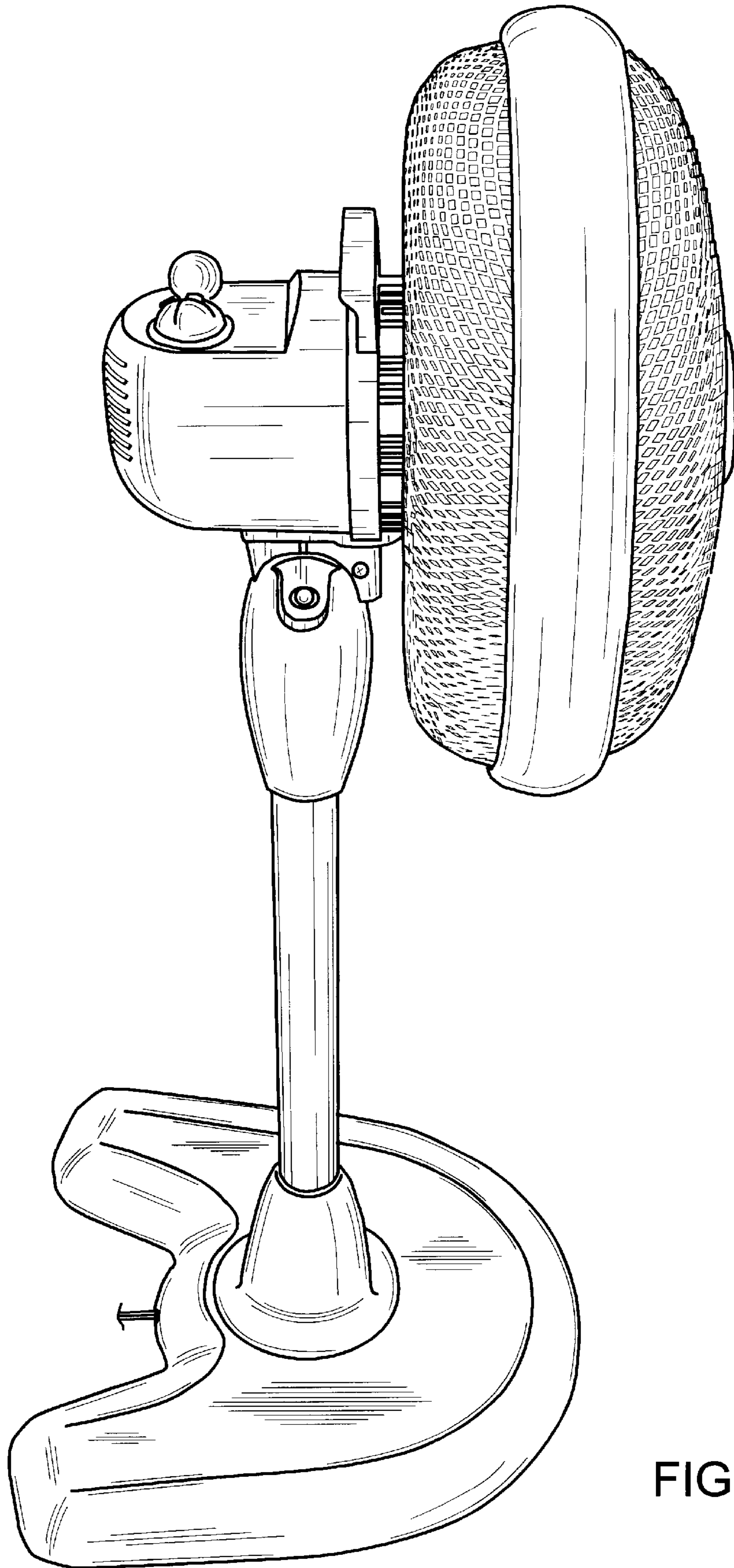


FIG. 4

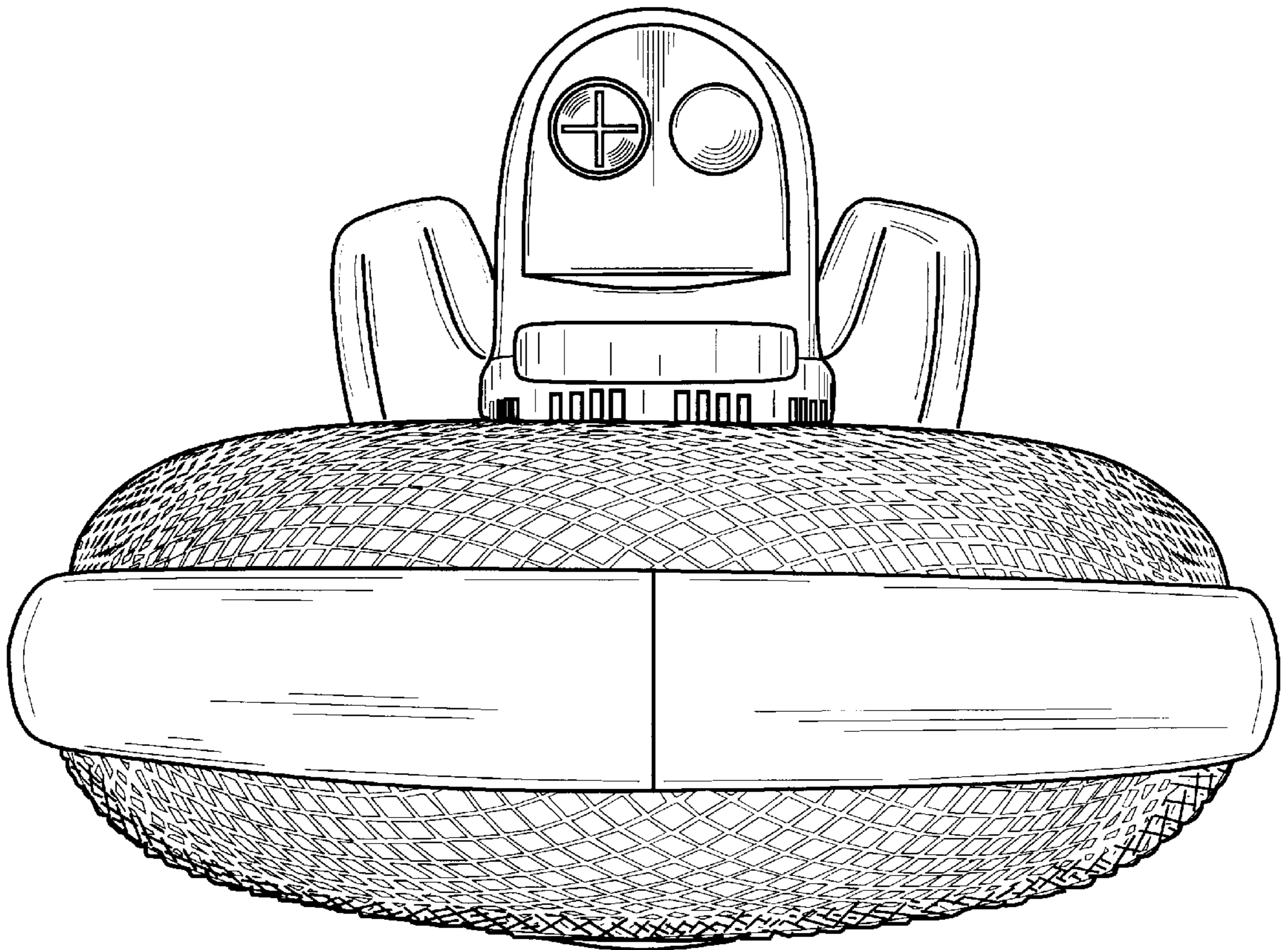


FIG. 5