



US00D416616S

United States Patent [19] LaSpina

[11] **Patent Number: Des. 416,616**

[45] **Date of Patent: ** Nov. 16, 1999**

[54] **COMBINED CEILING FAN AND LIGHT
FIXTURE**

D. 382,637 8/1997 Lee D23/377
D. 408,517 4/1999 LaSpina D23/377

[75] Inventor: **Alfred J. LaSpina**, Methuen, Mass.

Primary Examiner—Lisa Lichtenstein
Attorney, Agent, or Firm—Robert B. Leonard

[73] Assignee: **Honeywell Inc.**, Minneapolis, Minn.

[**] Term: **14 Years**

[57] **CLAIM**

The ornamental design for a combined ceiling fan and light fixture, as shown and described.

[21] Appl. No.: **29/093,483**

[22] Filed: **Sep. 11, 1998**

DESCRIPTION

[51] **LOC (6) Cl.** **23-04**

FIG. 1 is a perspective view of a combined ceiling fan and light fixture showing my design.

[52] **U.S. Cl.** **D23/377; D23/379; D23/385;
D26/59**

FIG. 2 is a front elevational view of the combined ceiling fan and light fixture shown in FIG. 1, the opposite and adjacent sides being substantially mirror images of the front elevational view.

[58] **Field of Search** D23/377, 379,
D23/385, 411, 413; 416/5; 392/364; 362/96;
D26/59, 51, 81-86, 72, 88, 80

FIG. 3 is a top plan view of the ceiling fan shown in FIG. 1; and,

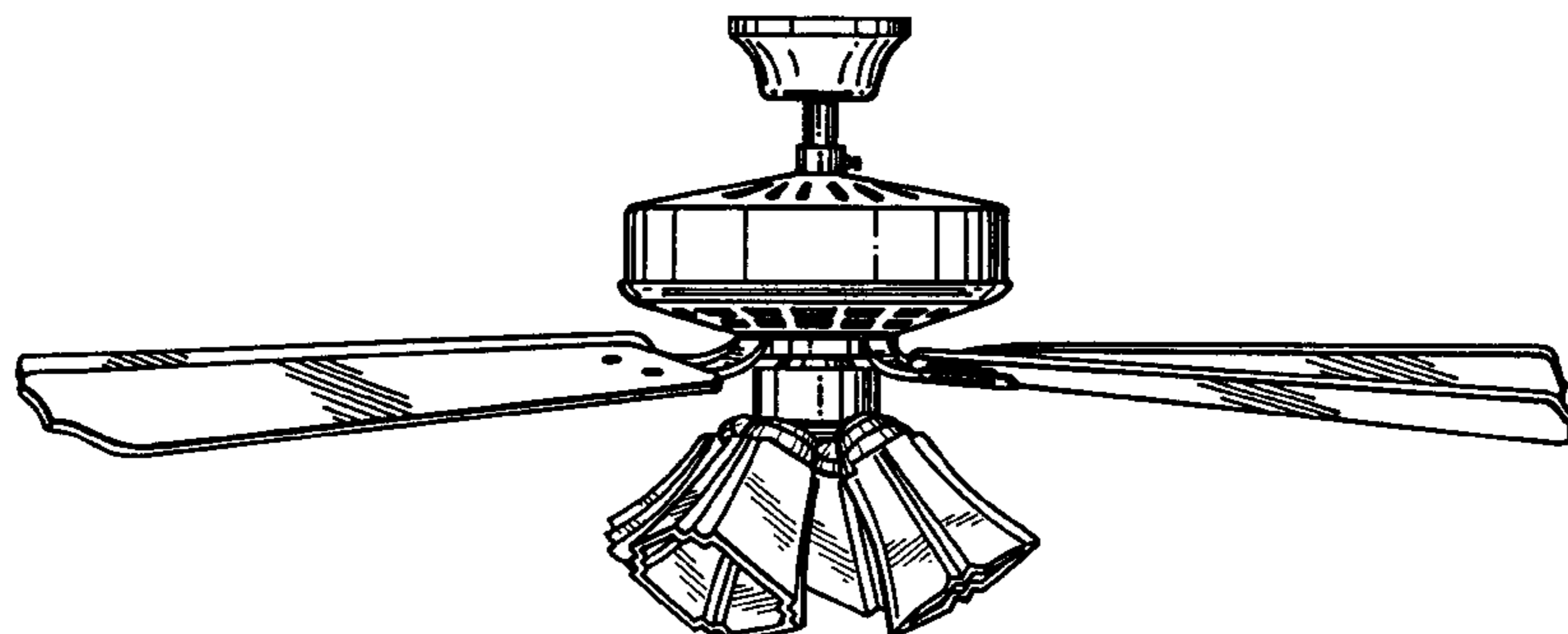
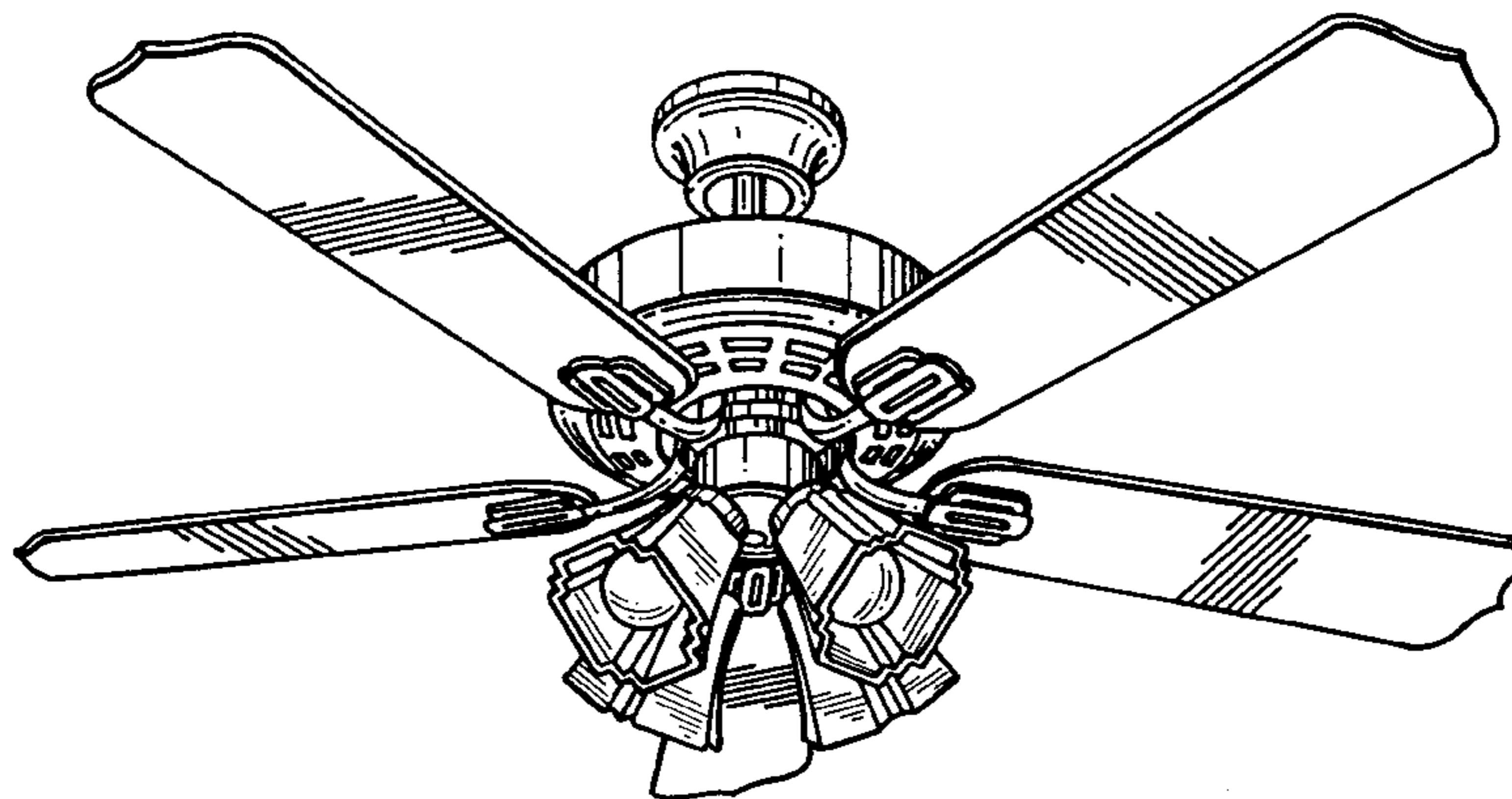
[56] **References Cited**

FIG. 4 is a bottom plan view of the ceiling fan shown in FIG. 1.

U.S. PATENT DOCUMENTS

D. 363,345 10/1995 Wang D23/377
D. 376,004 11/1996 Tsuji D23/377

1 Claim, 4 Drawing Sheets



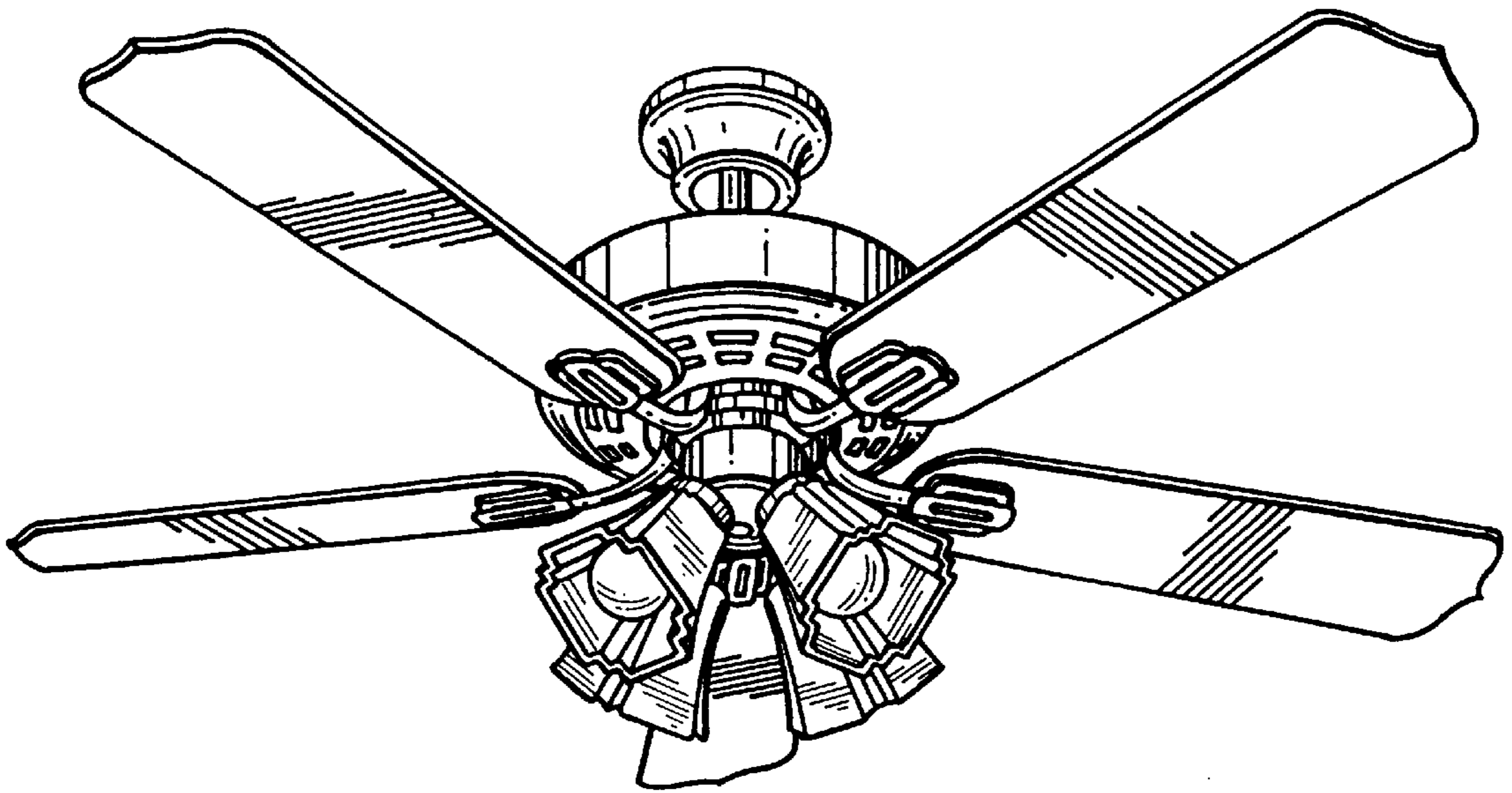


FIG. 1

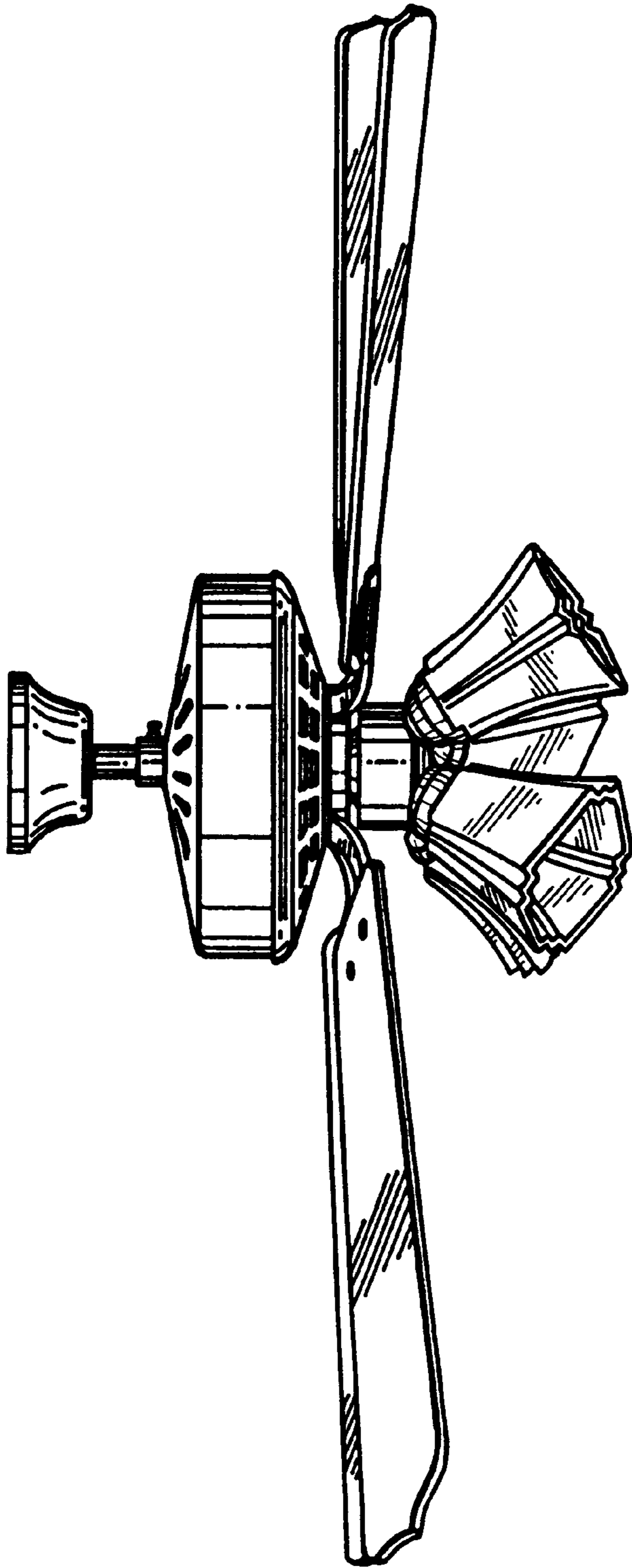


FIG. 2

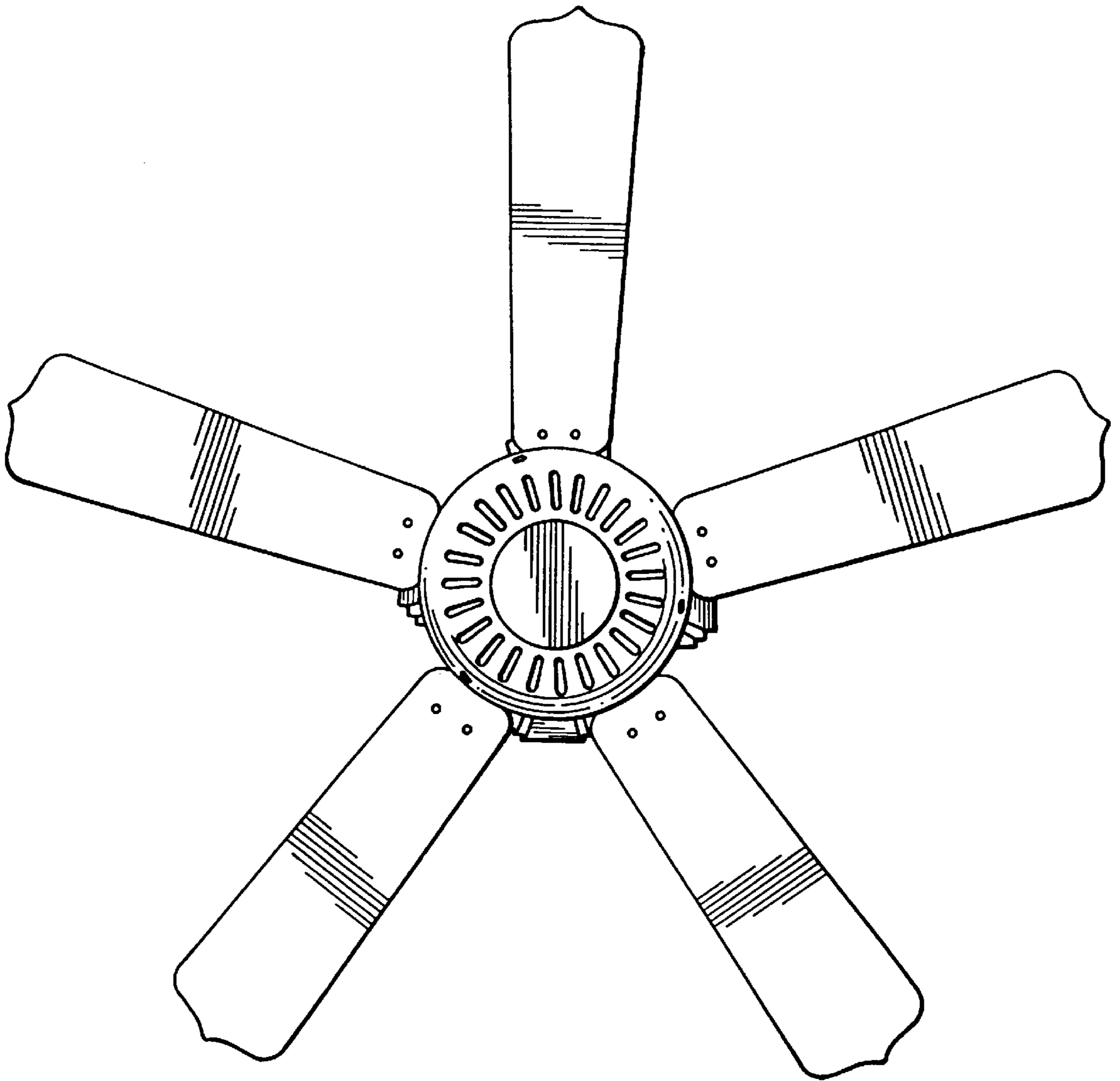


FIG. 3

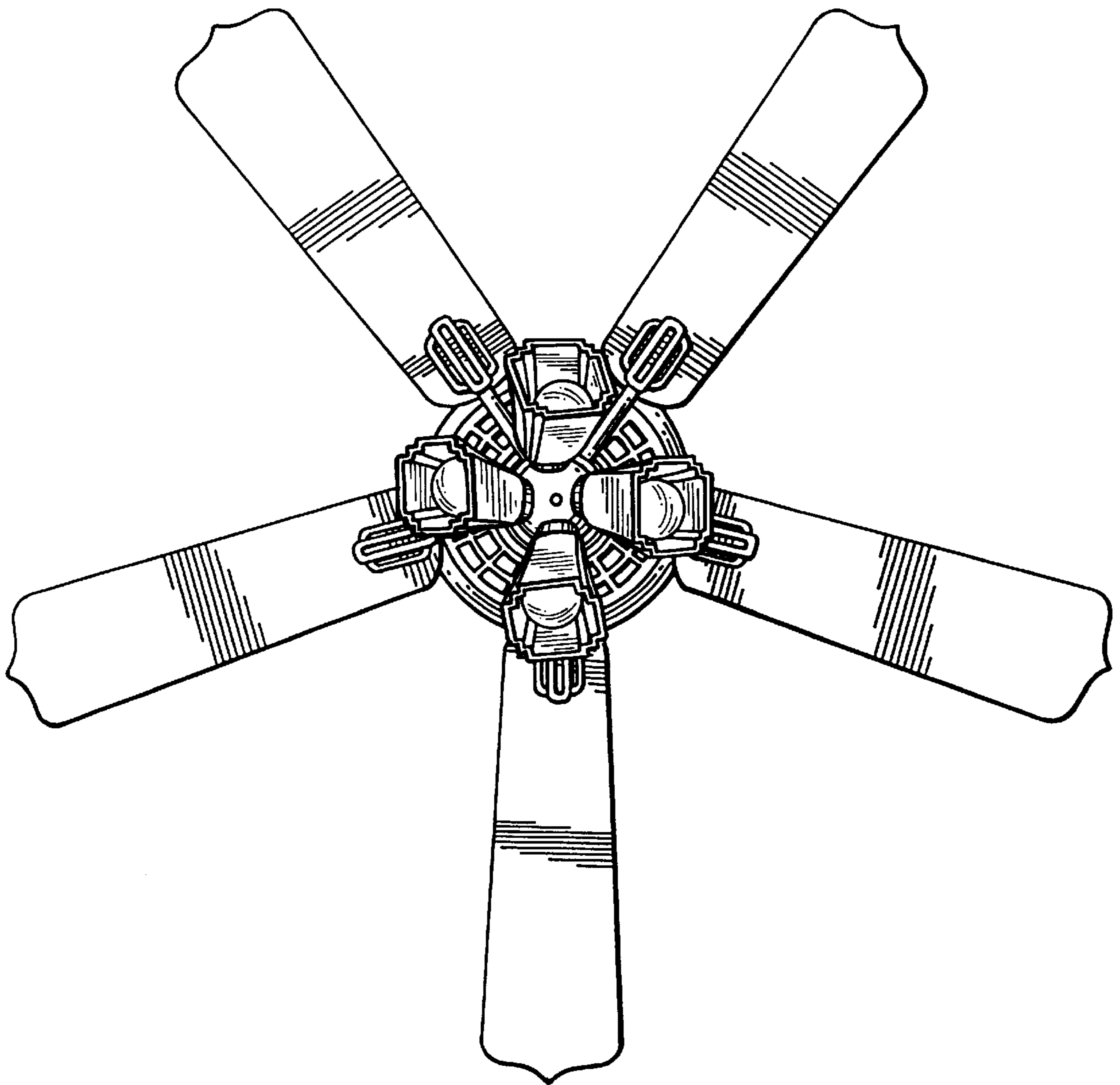


FIG. 4