



US00D416613S

# United States Patent [19]

Bellil et al.

[11] Patent Number: Des. 416,613

[45] Date of Patent: \*\* Nov. 16, 1999

[54] AIR CLEANER

[75] Inventors: **Kimberly Bellil**, Holden, Mass.;  
**Stephen M. Gatchell**, Warwick, R.I.;  
**Zhiwei Xu**, Marlborough, Mass.; **Scott W. Osiecki**, Skaneateles, N.Y.; **Timothy R. Fitch**, Syracuse, N.Y.; **Gregg W. Harvey**, Skaneateles, N.Y.

[73] Assignee: **Honeywell Inc.**, Minneapolis, Minn.

[\*\*] Term: **14 Years**

[21] Appl. No.: **29/080,207**

[22] Filed: **Dec. 3, 1997**

[51] LOC (6) Cl. .... **23-04**

[52] U.S. Cl. .... **D23/364**

[58] Field of Search ..... D23/364; 96/97;  
55/521, 498, 510

### [56] References Cited

#### U.S. PATENT DOCUMENTS

D. 349,566	8/1994	O'Grady	.....	D23/364
D. 355,962	2/1995	Chiu et al.	.....	D23/364
D. 365,388	12/1995	Williams	.....	D23/364
D. 365,389	12/1995	Williams	.....	D23/364
D. 377,523	1/1997	Marvin et al.	.....	D23/364

#### OTHER PUBLICATIONS

Advertisement for Pollenex Pedia-Aire air cleaner (Model MPD894), Spring 1995 issue of *Lifestyle Fascination* (p.20).  
1993 Instructions and Warranty Guide for Pollenex Refresh-Aire Cleaner/Ionizer; Model PA300.

1992 Instructions and Warranty Guide for Pollenex Health Aire/Family Hepa air cleaner; Model PA500.

*Primary Examiner*—Lisa Lichtenstein  
*Attorney, Agent, or Firm*—Loletta L. Darden; Robert B. Leonard

### [57] CLAIM

The ornamental design for an air cleaner, as shown.

### DESCRIPTION

FIG. 1 is a front perspective view of an air cleaner showing our design.

FIG. 2 is a front elevational view of the air cleaner shown in FIG. 1.

FIG. 3 is a rear elevational view of the air cleaner shown in FIG. 1.

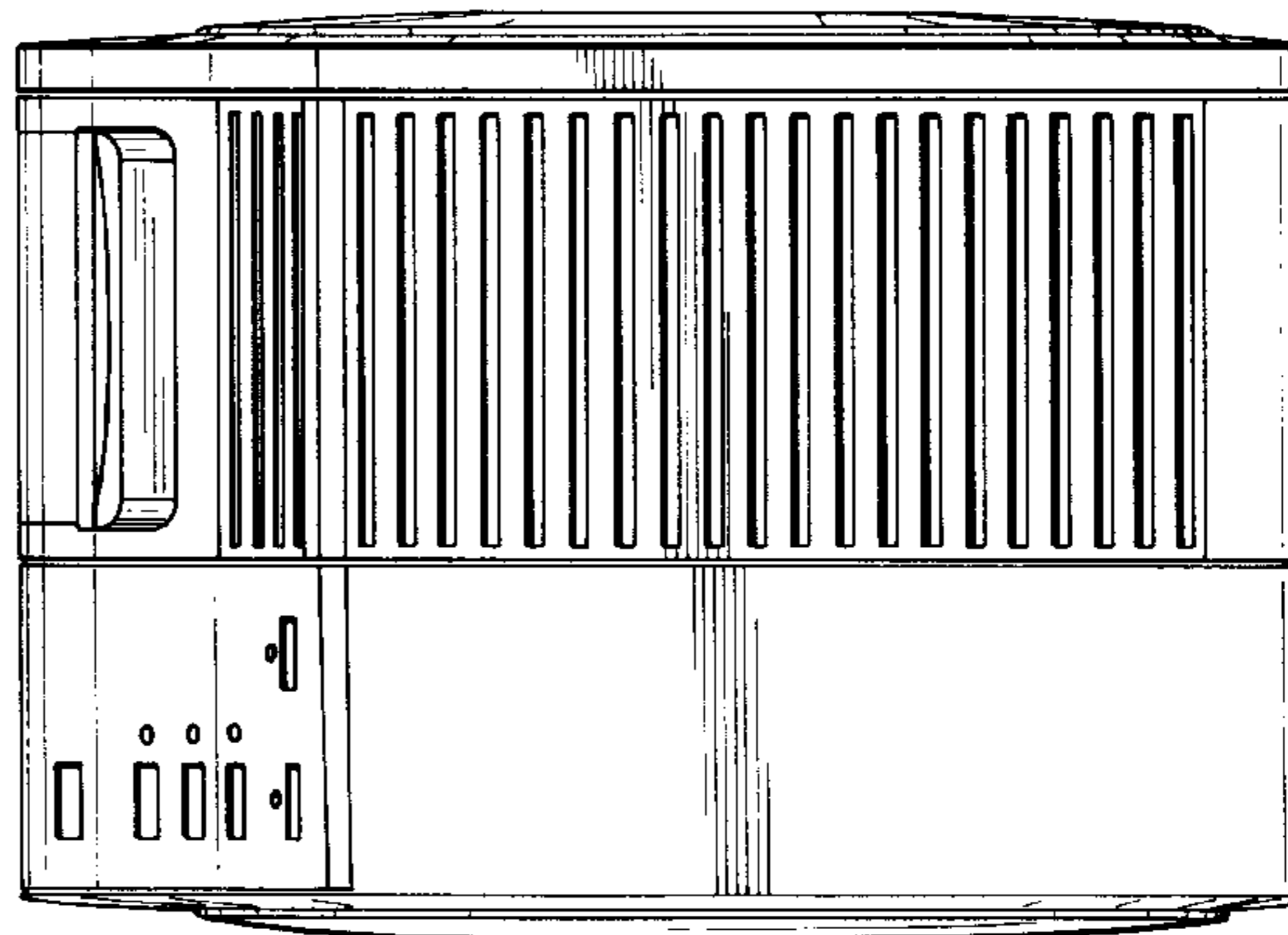
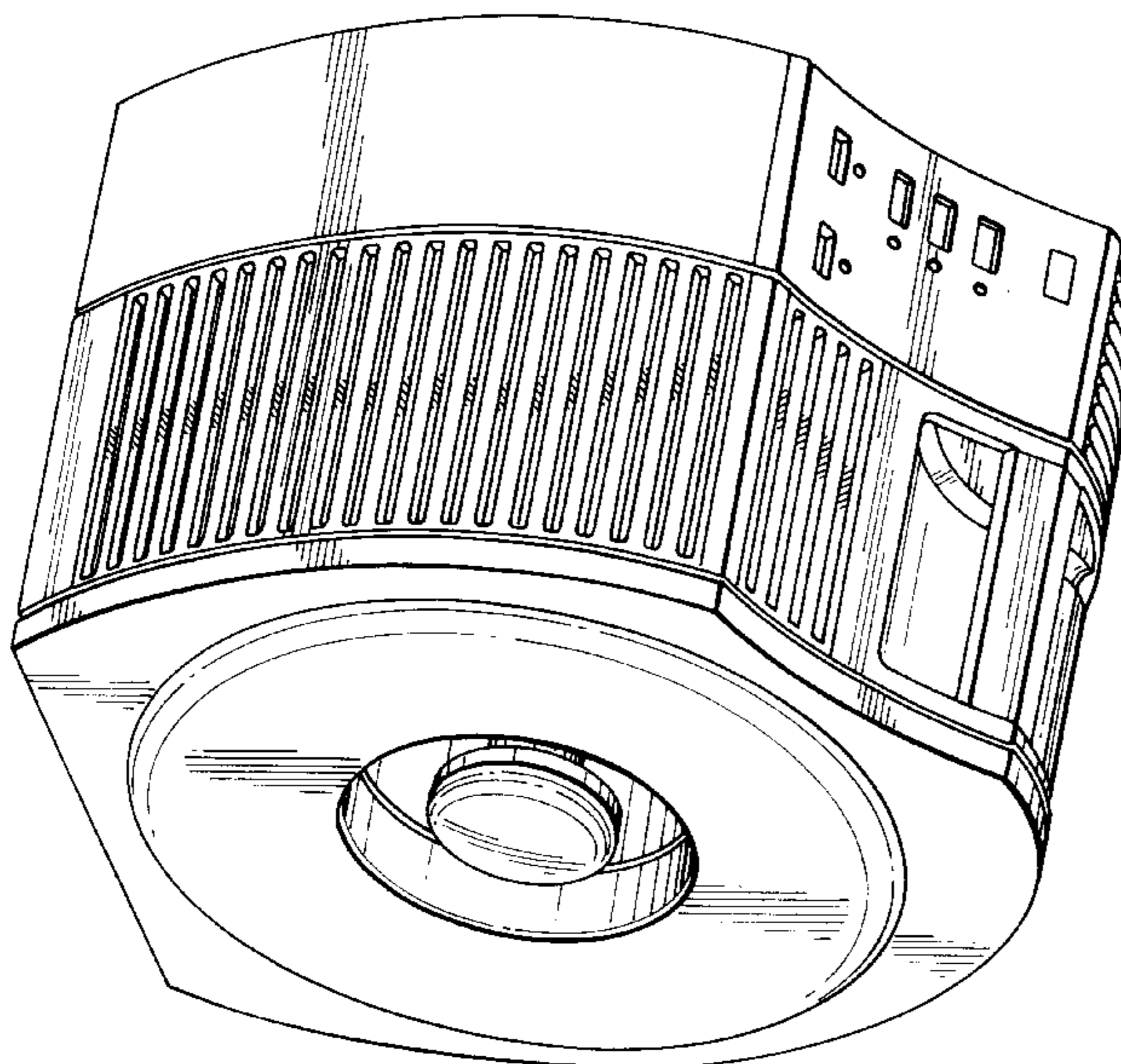
FIG. 4 is a left side elevational view of the air cleaner shown in FIG. 1.

FIG. 5 is a right side elevational view of the air cleaner shown in FIG. 1.

FIG. 6 is a top plan view of the air cleaner shown in FIG. 1; and,

FIG. 7 is a bottom plan view of the air cleaner shown in FIG. 1.

1 Claim, 7 Drawing Sheets



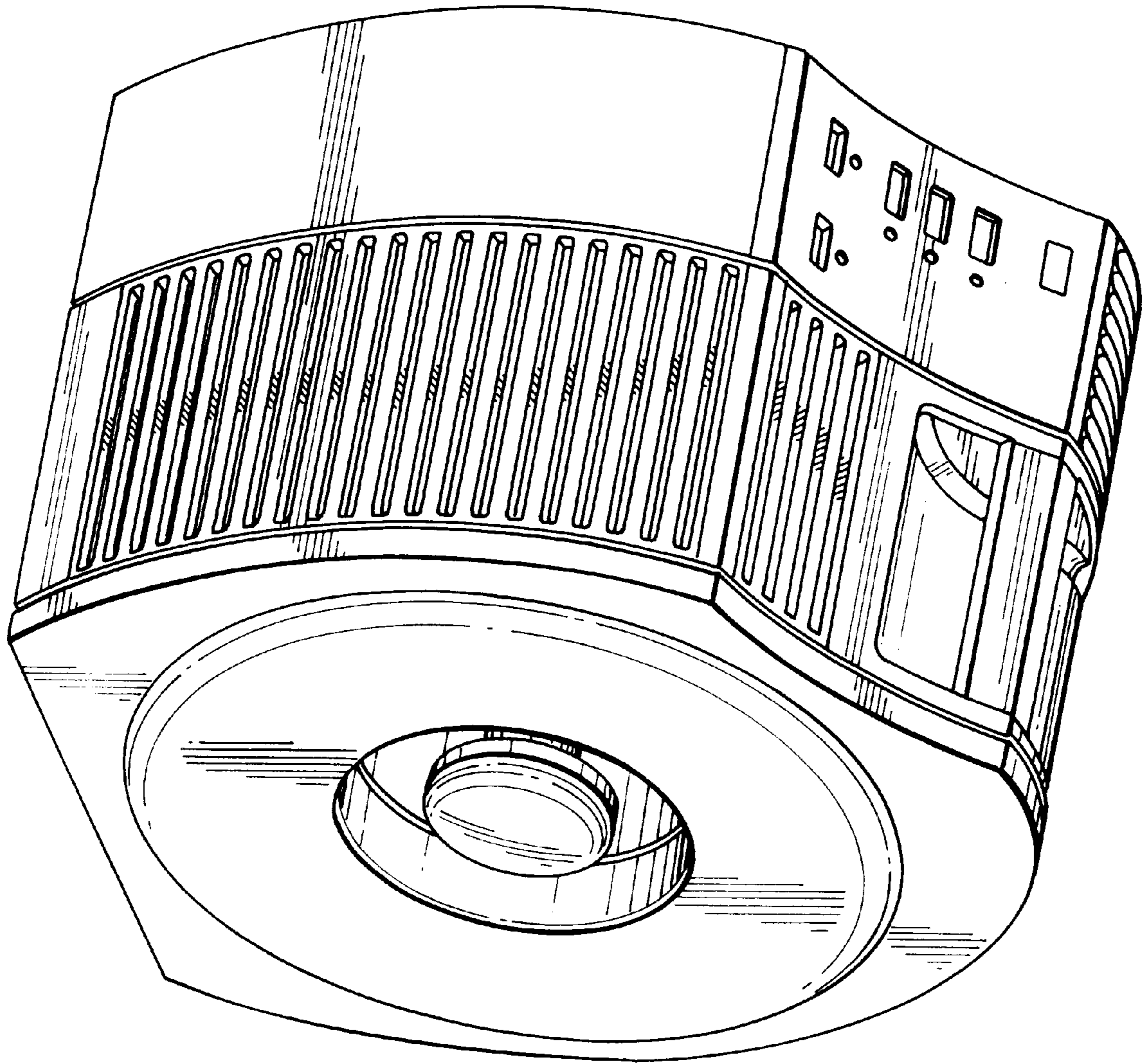


FIG. 1

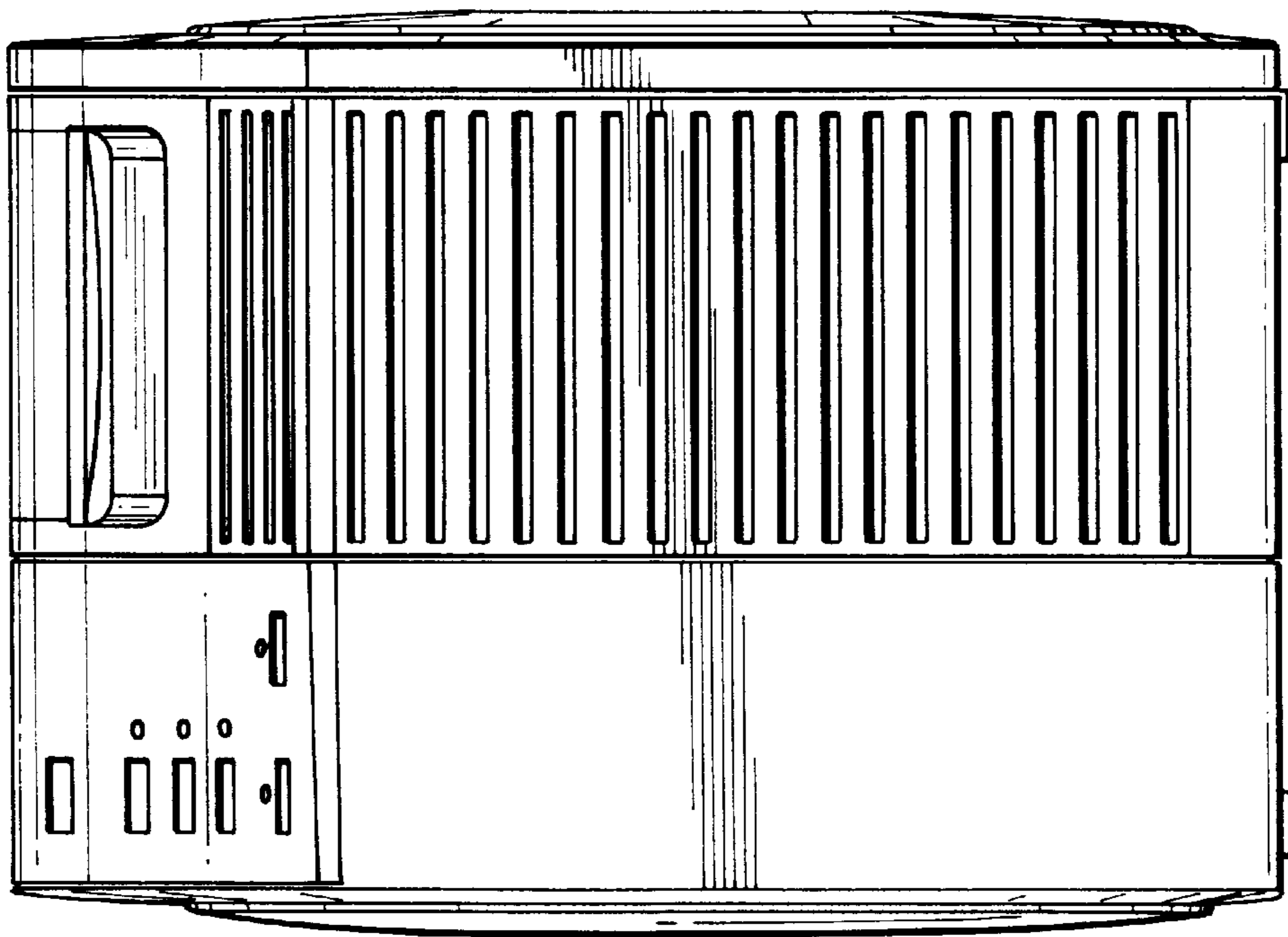


FIG. 2

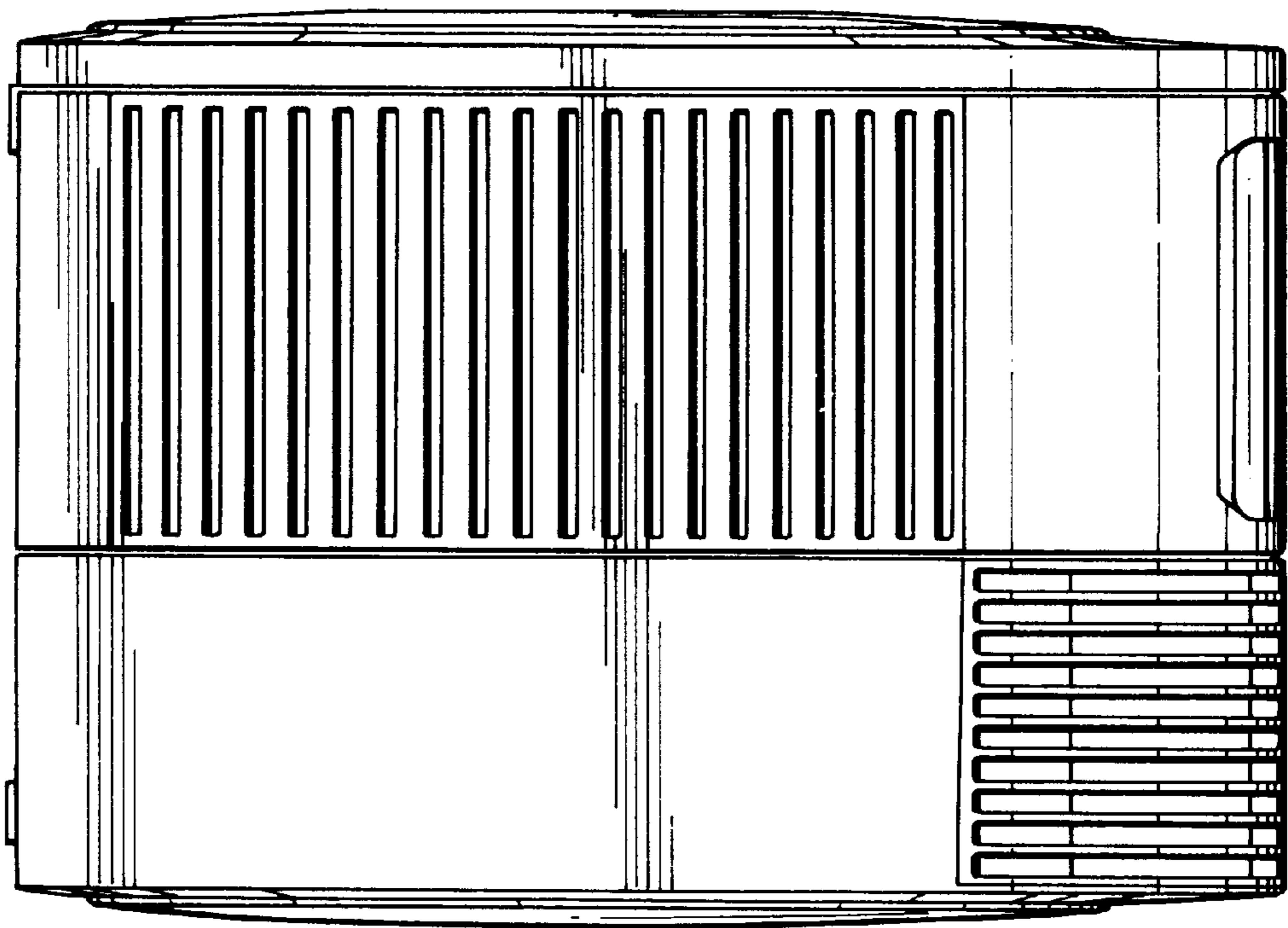


FIG. 3

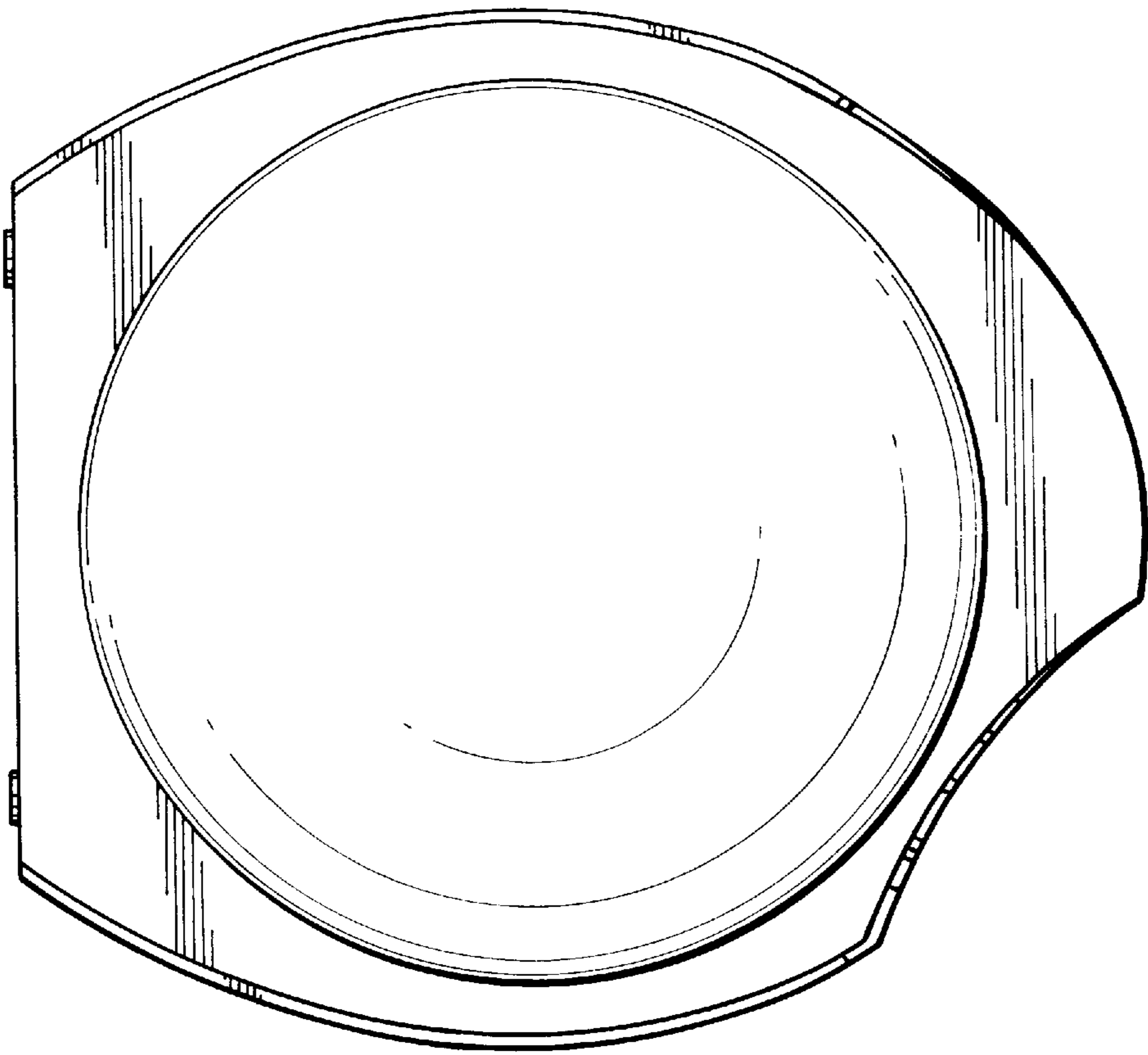


FIG. 4

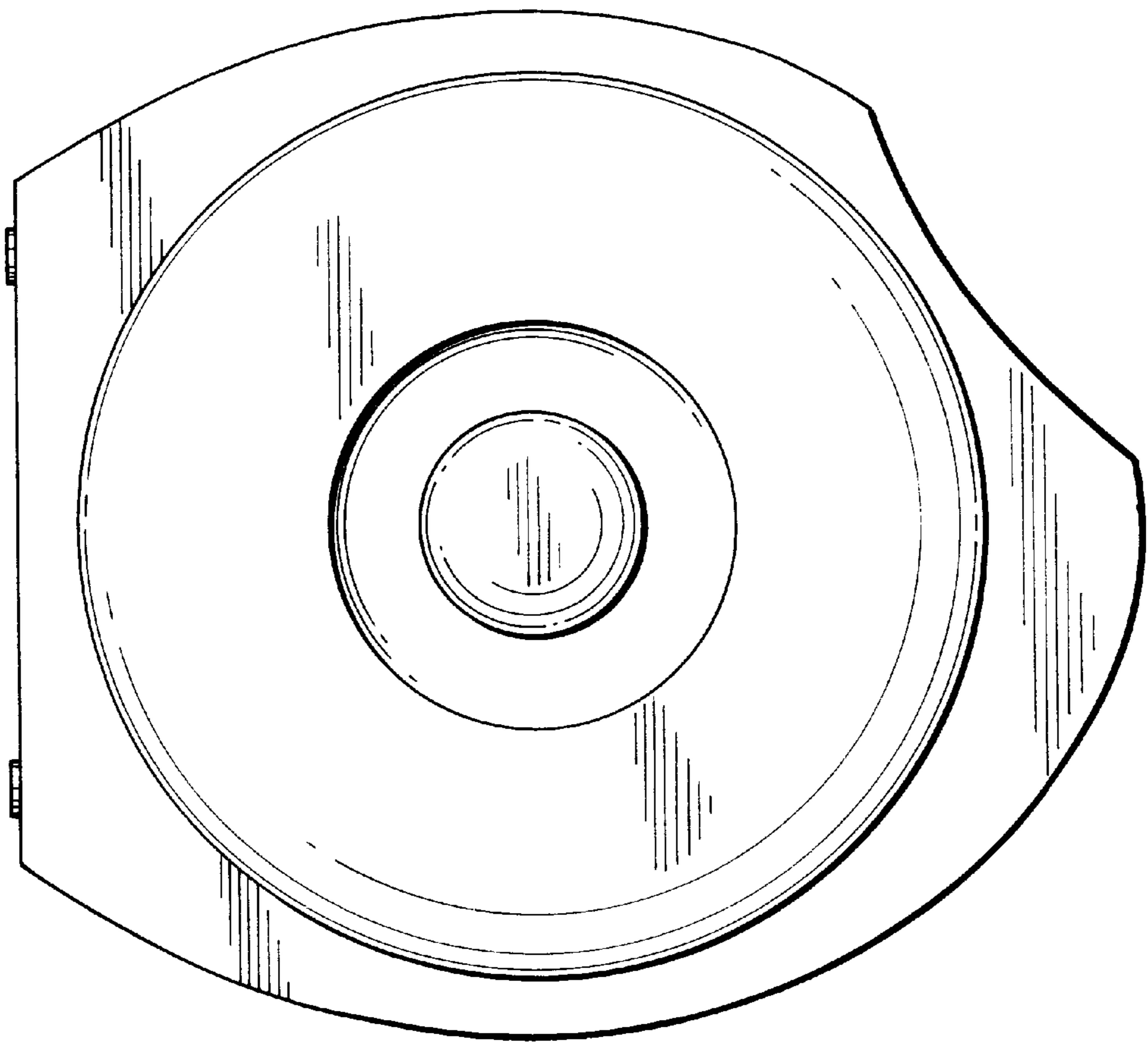


FIG. 5

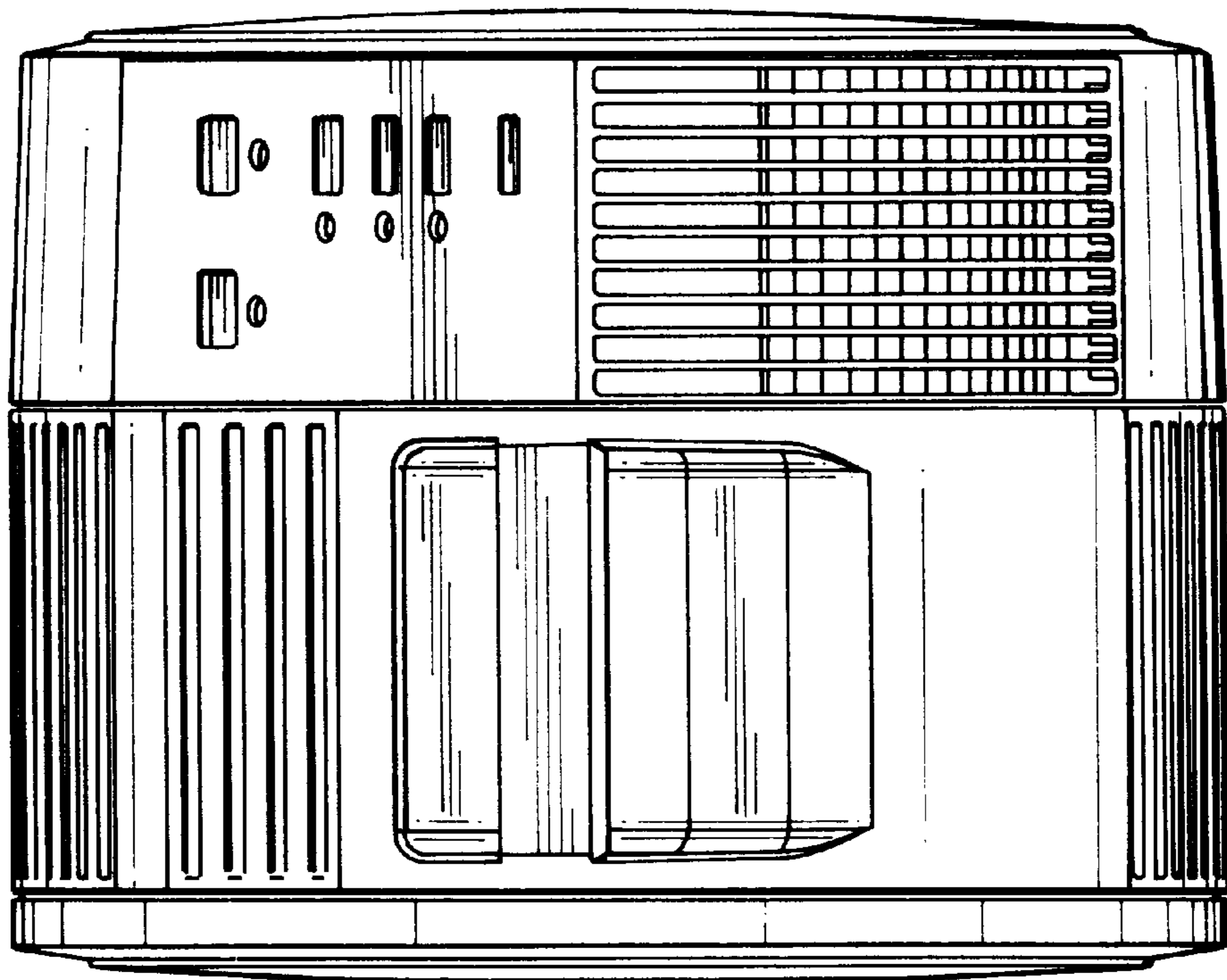


FIG. 6

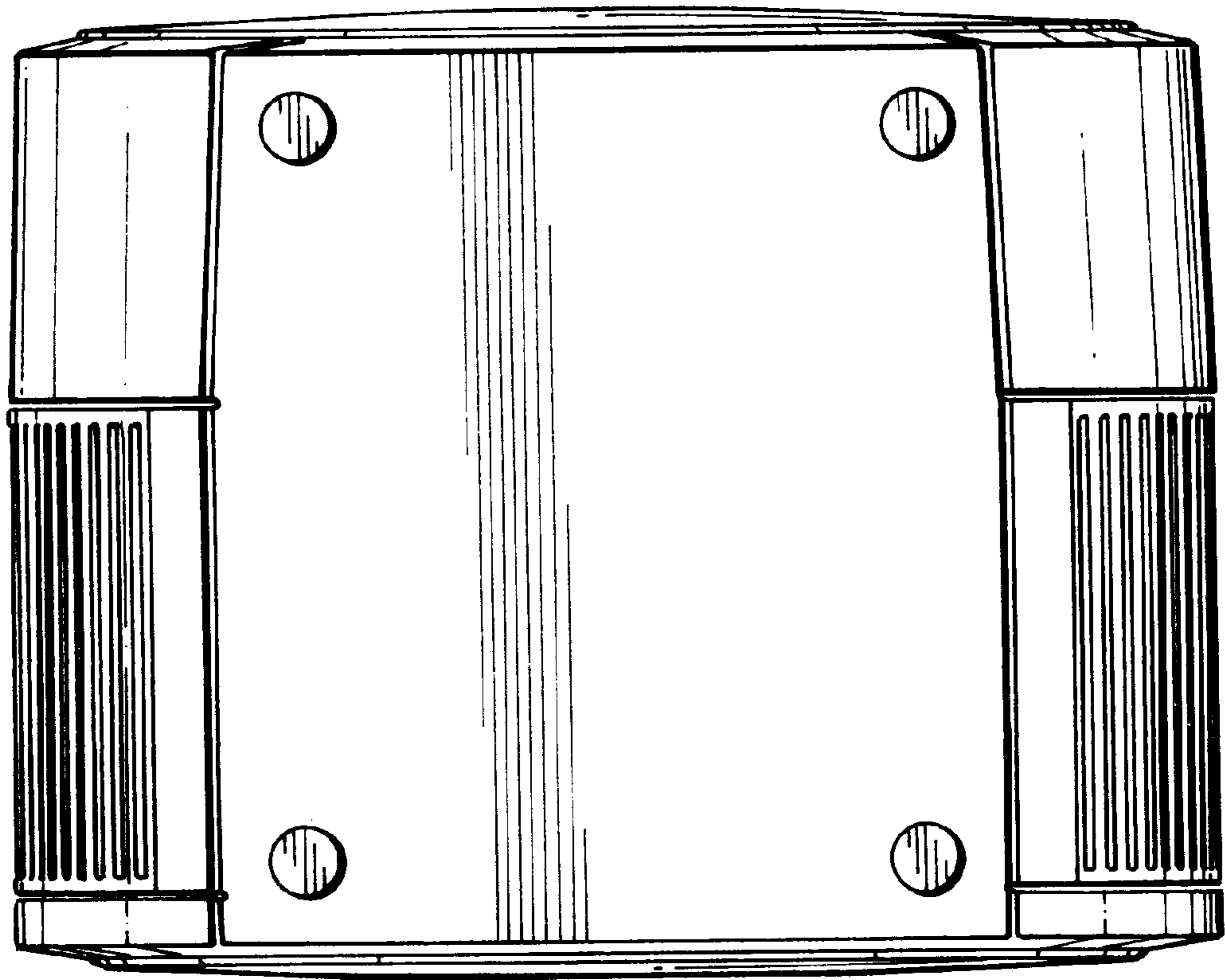


FIG. 7