



US00D416609S

**United States Patent** [19]  
**Müllenmeister**

[11] **Patent Number: Des. 416,609**

[45] **Date of Patent: \*\* Nov. 16, 1999**

[54] **FAUCET HANDLE**

[75] Inventor: **Daniel Müllenmeister**, Havixbeck,  
Germany

[73] Assignee: **Friedrich Grohe AG**, Hemer, Germany

[\*\*] Term: **14 Years**

[21] Appl. No.: **29/105,004**

[22] Filed: **May 14, 1999**

[30] **Foreign Application Priority Data**

Dec. 18, 1998 [DE] Germany ..... 498 12 219

[51] **LOC (6) Cl.** ..... **23-01**

[52] **U.S. Cl.** ..... **D23/252**

[58] **Field of Search** ..... D23/238-292,  
D23/250-257; D8/300-310; 16/112-121;  
137/359

[56] **References Cited**

**U.S. PATENT DOCUMENTS**

D. 387,136 12/1997 Oswaks et al. .... D23/252

D. 390,922 2/1998 Oswaks et al. .... D23/252  
D. 405,871 2/1999 Pitsch ..... D23/252  
D. 406,322 3/1999 Pitsch ..... D23/252  
D. 407,144 3/1999 Formgren ..... D23/252  
3,533,436 10/1970 Parkison ..... 137/359

*Primary Examiner*—Eric Watterson  
*Attorney, Agent, or Firm*—Herbert Dubno

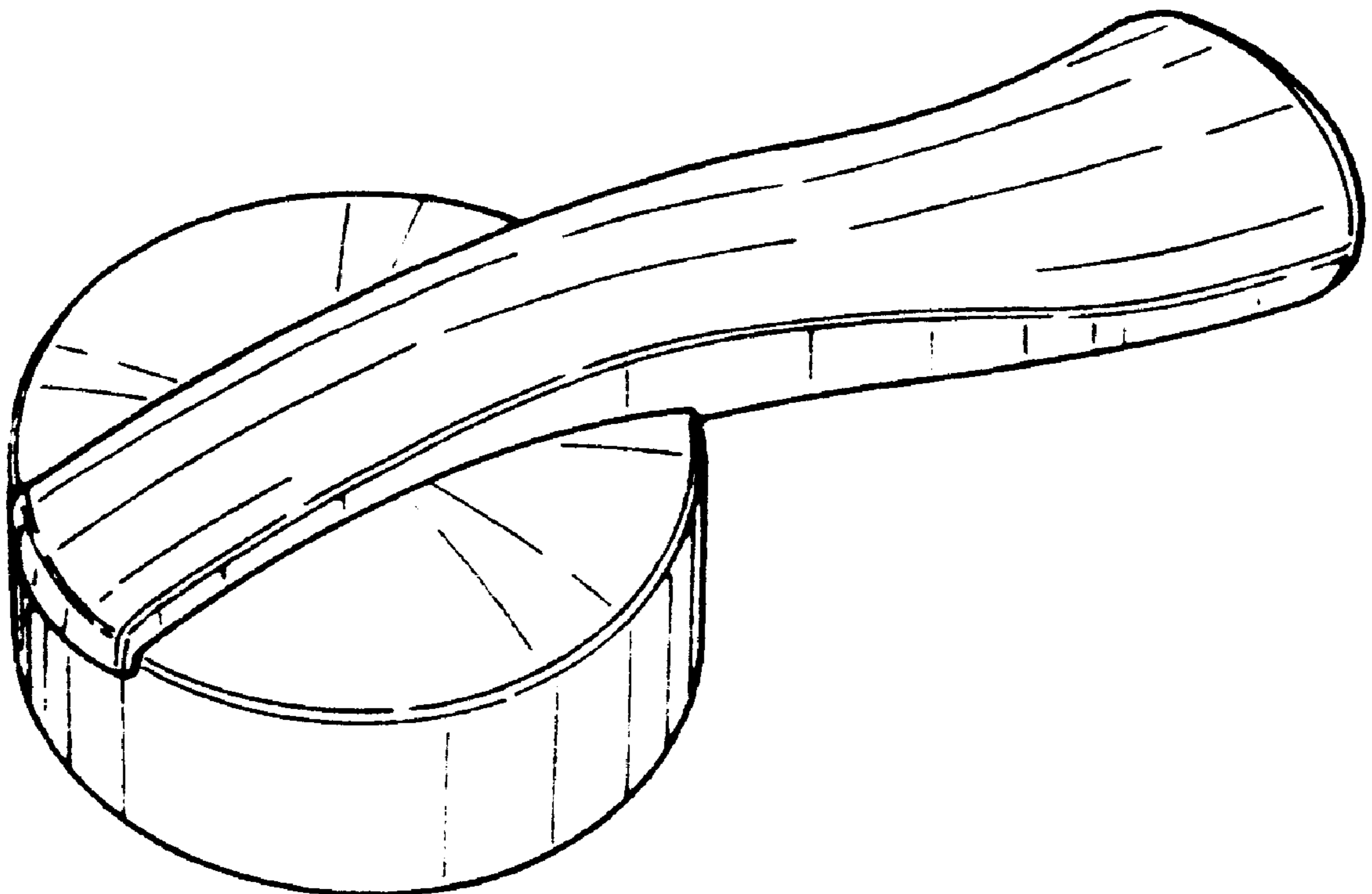
[57] **CLAIM**

The ornamental design for a faucet handle, as shown and described.

**DESCRIPTION**

FIG. 1 is a top, rear, left-side perspective view of a faucet handle showing my new design;  
FIG. 2 is a bottom-plan view thereof;  
FIG. 3 is a left side elevational view thereof, the right side view being mirror symmetrical therewith;  
FIG. 4 is an inverted rear view thereof;  
FIG. 5 is a top-plan view thereof; and,  
FIG. 6 is a front view thereof.

**1 Claim, 2 Drawing Sheets**



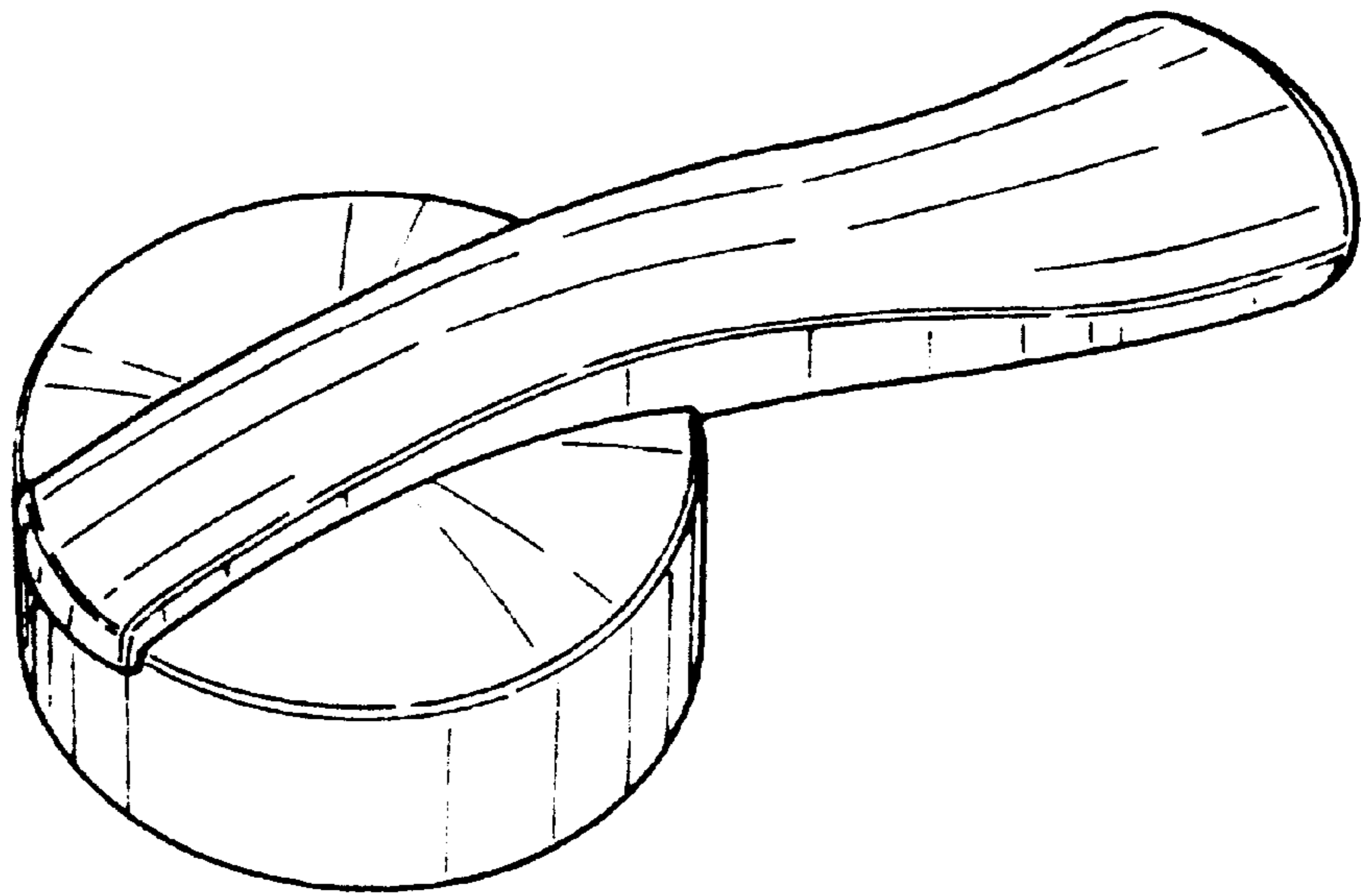


FIG. 1

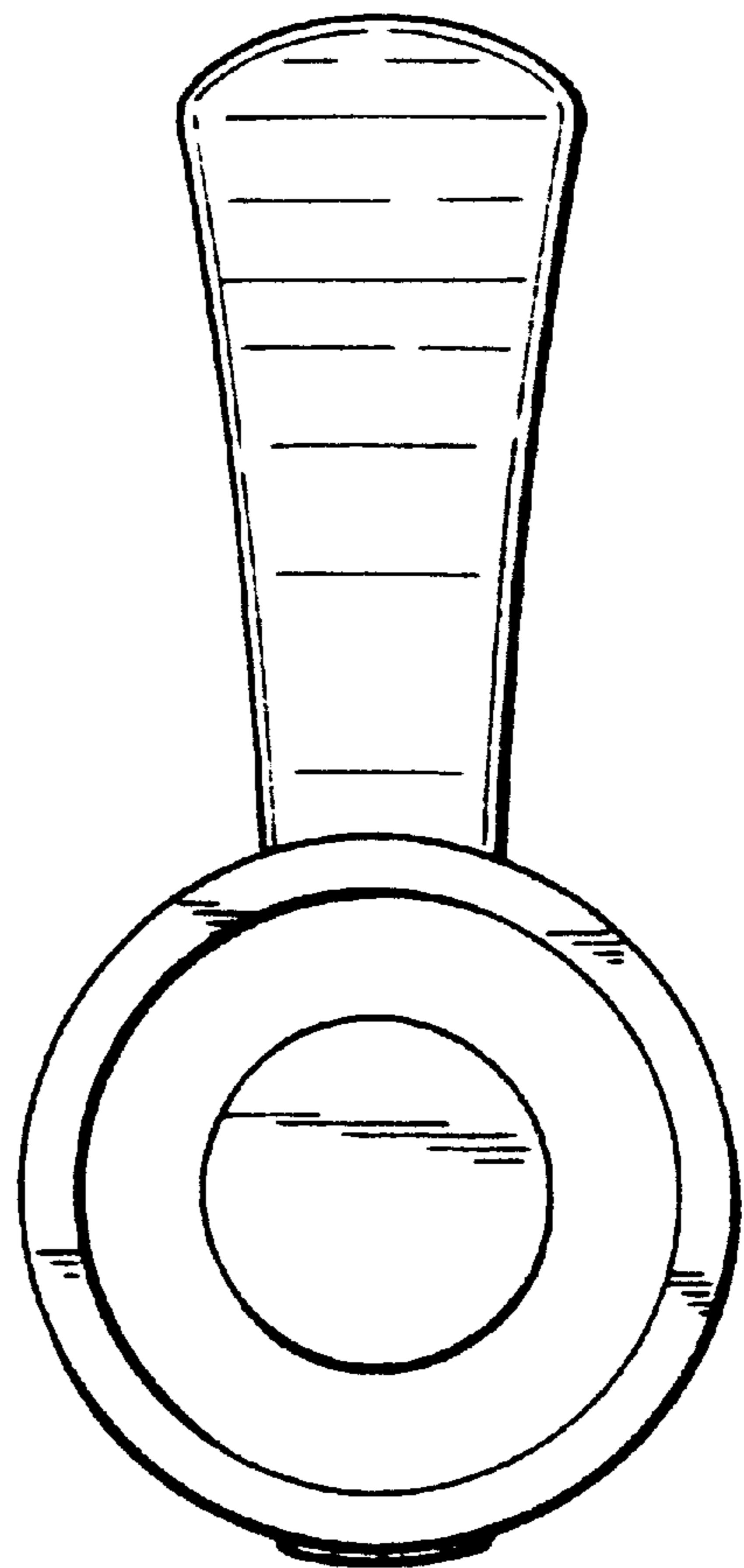


FIG. 2

FIG. 4

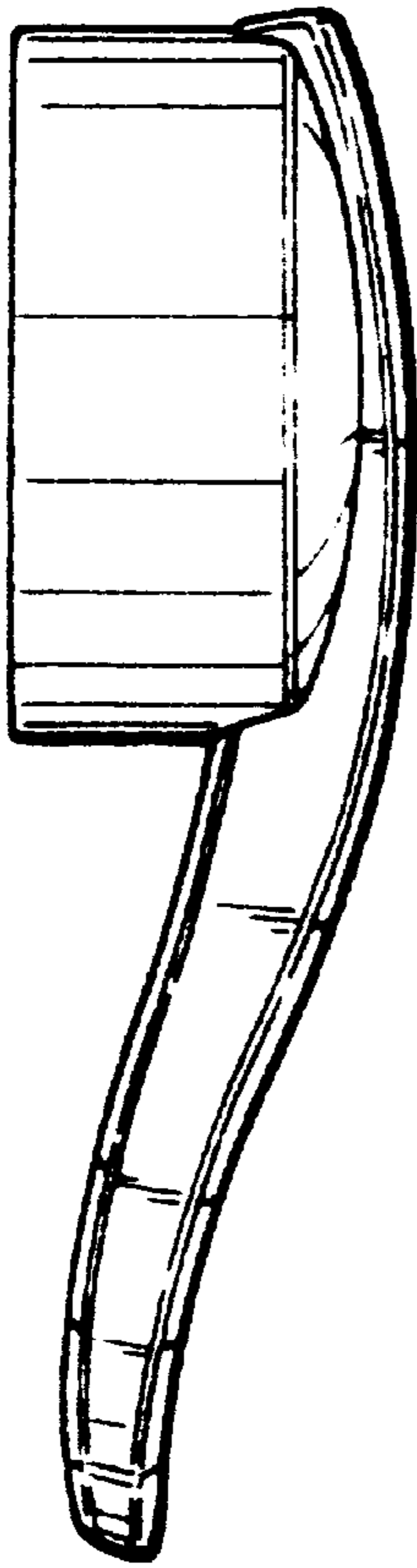
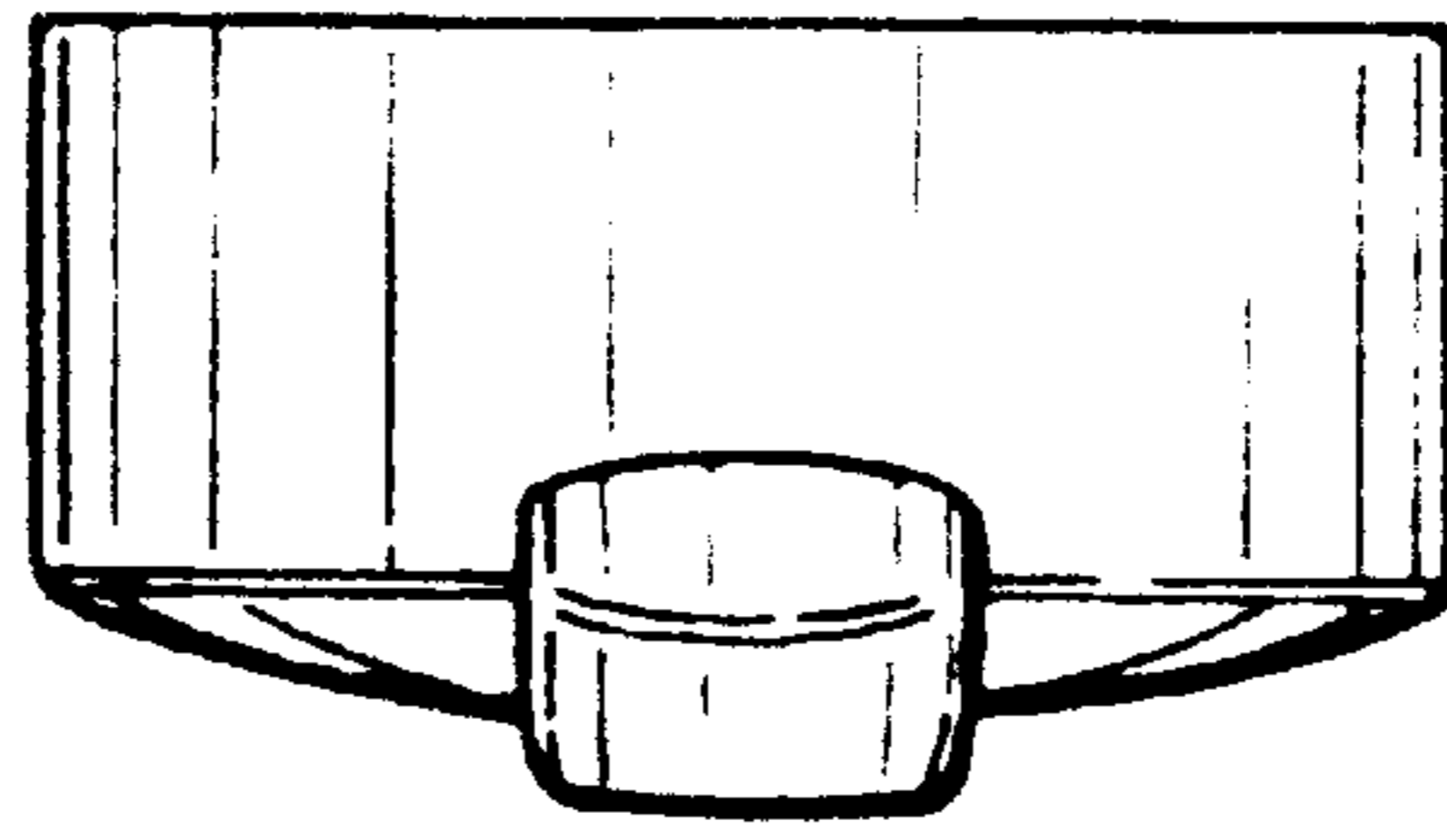


FIG. 3

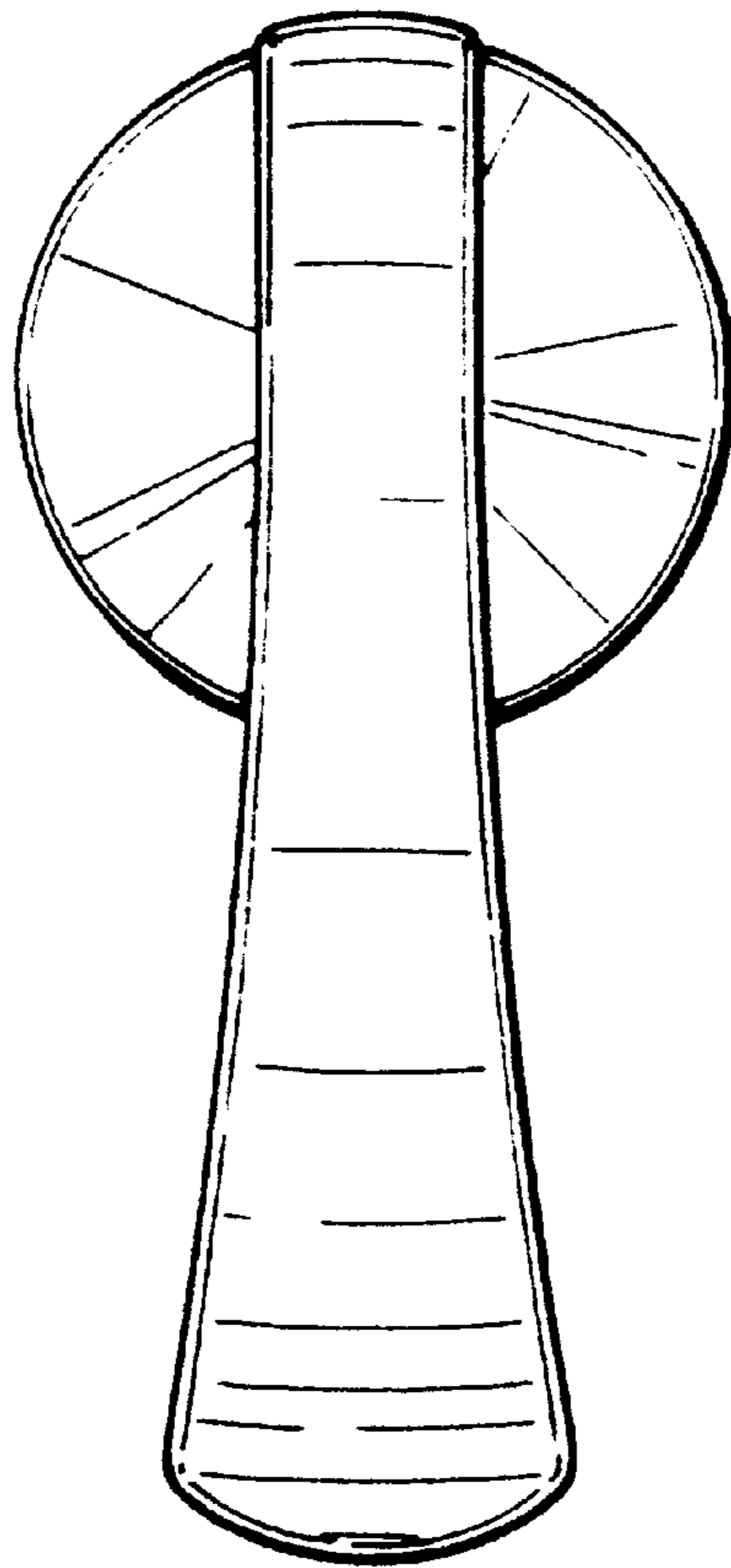


FIG. 5

FIG. 6

