



US00D416607S

United States Patent [19]
Gottwald

[11] **Patent Number: Des. 416,607**

[45] **Date of Patent: ** Nov. 16, 1999**

[54] **BATHTUB FAUCET**

[75] Inventor: **Adolf Gottwald**, Iserlohn, Germany

[73] Assignee: **Friedrich Grohe AG**, Hemer, Germany

[**] Term: **14 Years**

[21] Appl. No.: **29/104,876**

[22] Filed: **May 13, 1999**

[30] **Foreign Application Priority Data**

Dec. 18, 1998 [DE] Germany 498 12 216

[51] **LOC (6) Cl.** **23-01**

[52] **U.S. Cl.** **D23/238**

[58] **Field of Search** D23/238-243,
D23/250-257; 4/675-678; 137/801

[56] **References Cited**

U.S. PATENT DOCUMENTS

D. 183,272 7/1958 Alexander D23/238

D. 312,119 11/1990 Bergmann D23/238
D. 325,424 4/1992 Dannenberg D23/238
D. 345,781 4/1994 Bollenbacher D23/249
D. 390,917 2/1998 Kergoet D23/238

Primary Examiner—Eric Watterson
Attorney, Agent, or Firm—Herbert Dubno

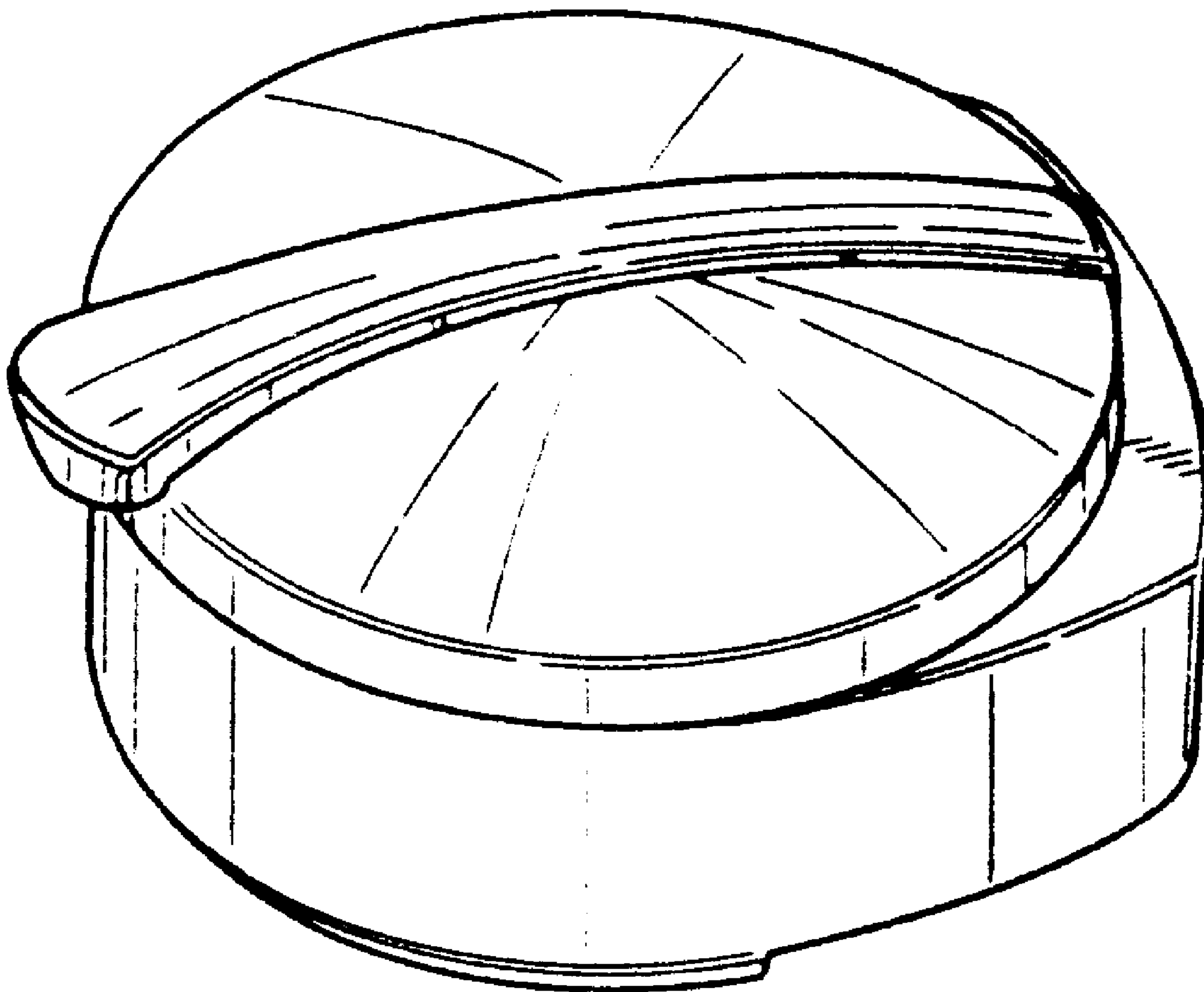
[57] **CLAIM**

The ornamental design for a bathtub faucet, as shown and described.

DESCRIPTION

FIG. 1 is a top, front, left-side perspective view of a bathtub faucet showing my new design;
FIG. 2 is a rear elevational plan view thereof;
FIG. 3 is a top plan view thereof;
FIG. 4 is a front view thereof;
FIG. 5 is a bottom plan view thereof; and,
FIG. 6 is a right side elevational view thereof, the left side being mirror symmetrical thereto.

1 Claim, 2 Drawing Sheets



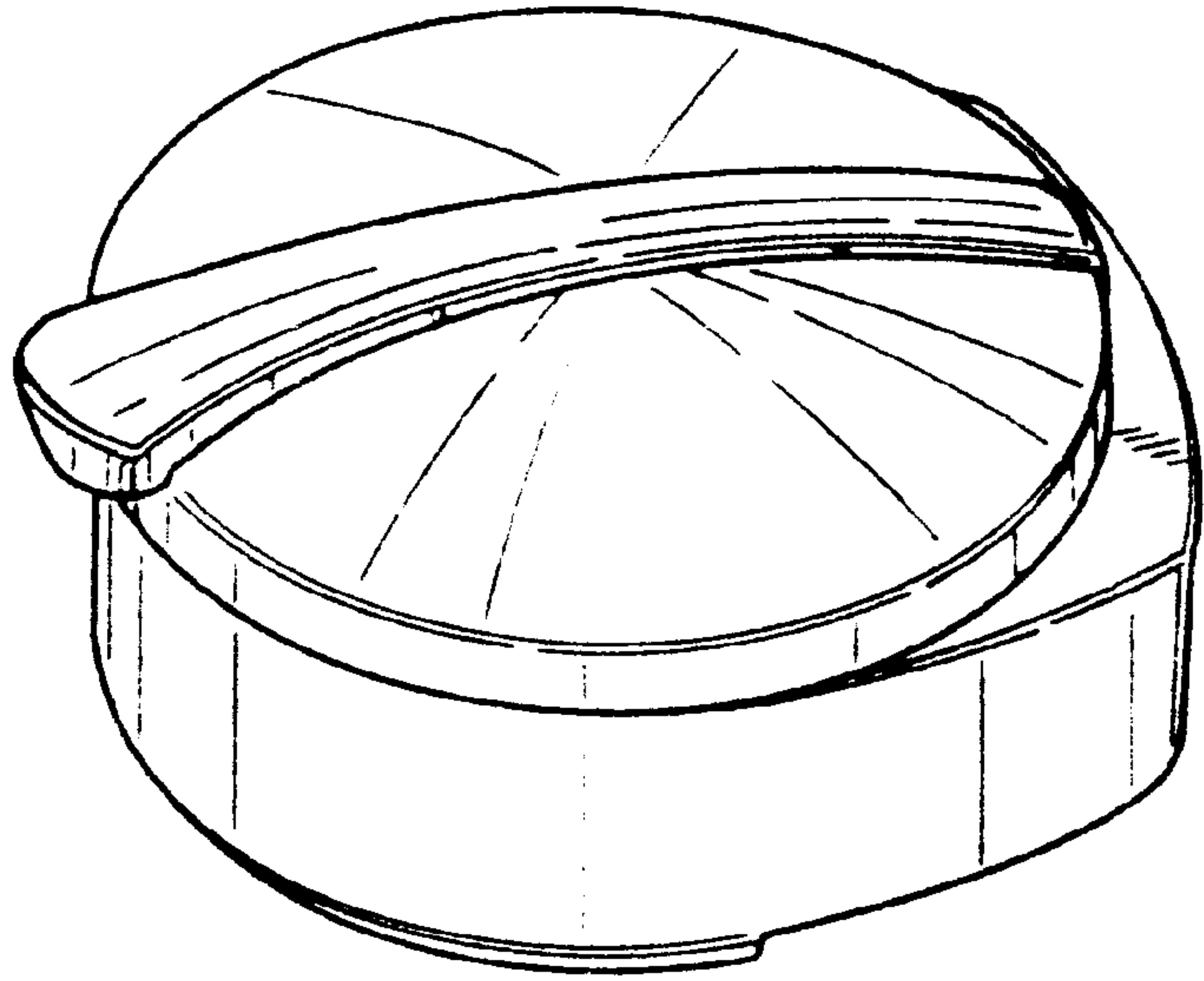


FIG. 1

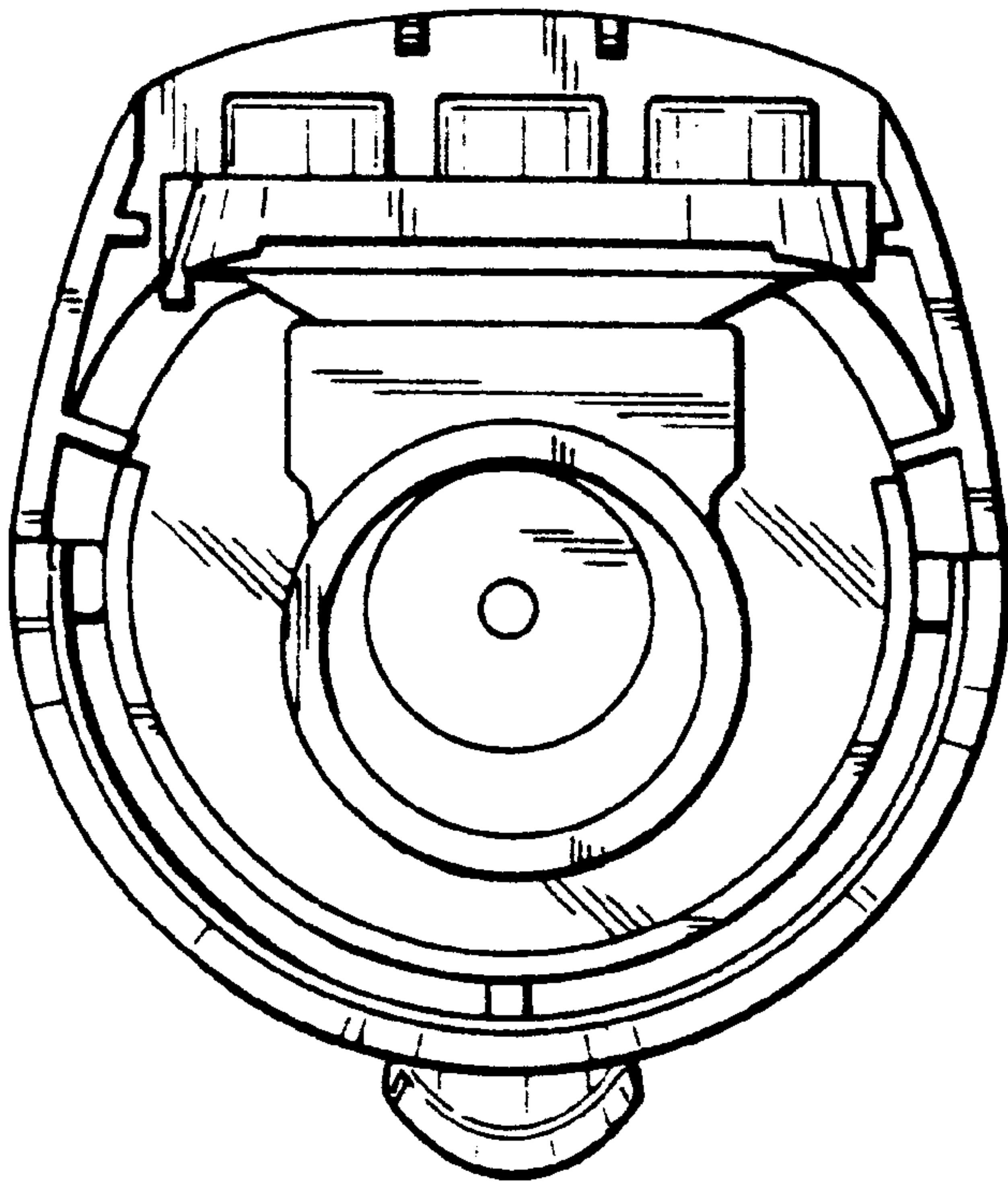


FIG. 2

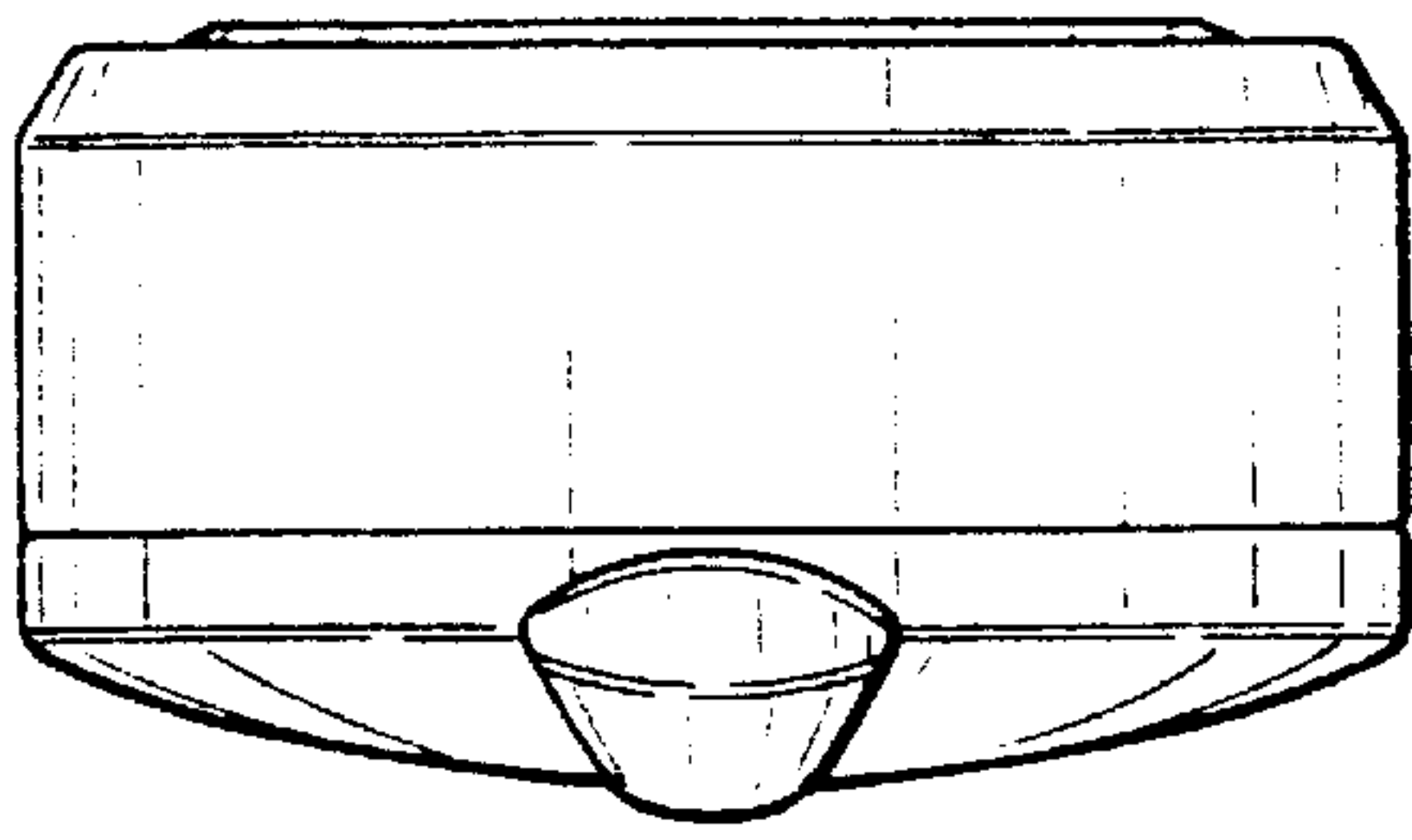


FIG. 3

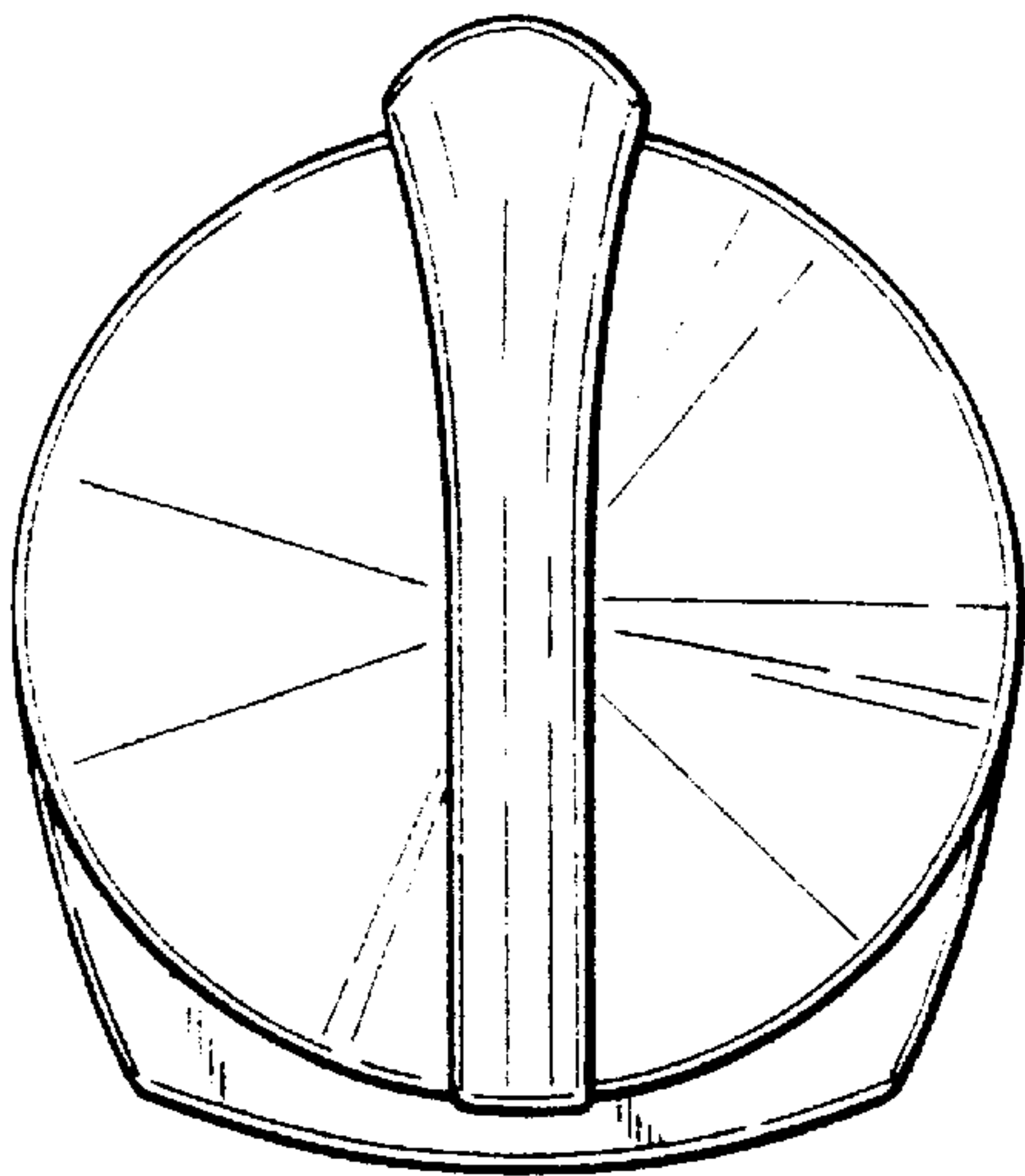


FIG. 4

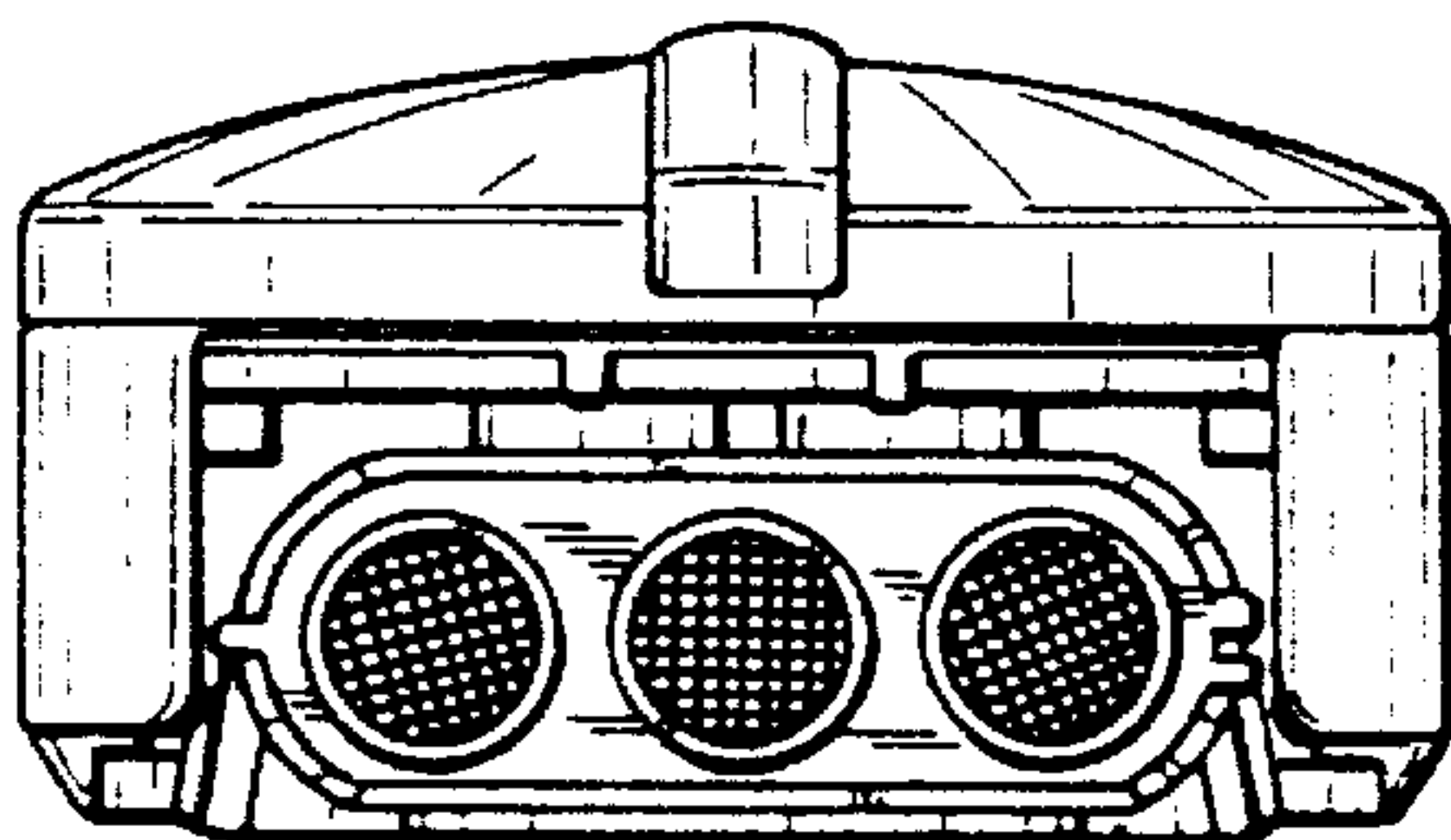


FIG. 5

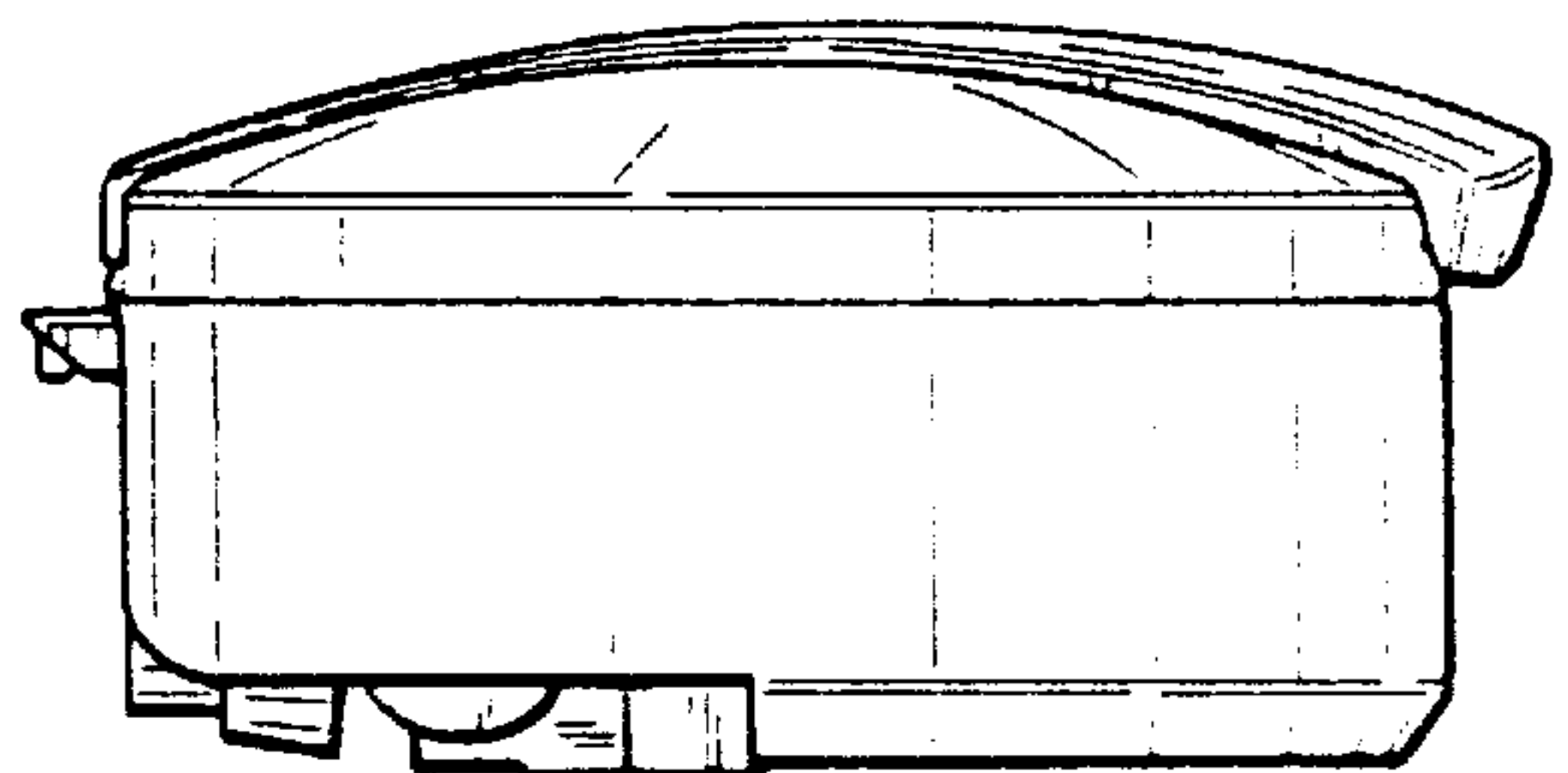


FIG. 6