



US00D416605S

# United States Patent [19]

## Loper

[11] **Patent Number: Des. 416,605**

[45] **Date of Patent: \*\* Nov. 16, 1999**

[54] **INTERCHANGEABLE SHOWER SYSTEM**

[76] Inventor: **Scott R. Loper**, 9908 Saw Mill Rd.,  
Charlotte, N.C. 28278

[\*\*] Term: **14 Years**

[21] Appl. No.: **29/078,441**

[22] Filed: **Oct. 24, 1997**

[51] **LOC (6) Cl. .... 23-01**

[52] **U.S. Cl. .... D23/228**

[58] **Field of Search** ..... D23/213, 223-229,  
D23/283, 303, 304; 4/596, 601; 239/394,  
459, 460, 461

[56] **References Cited**

**U.S. PATENT DOCUMENTS**

1,354,838	10/1920	Perkins	.....	4/601
1,572,275	2/1926	Ewing	.....	4/601
3,971,074	7/1976	Yxfeldt	.....	4/601
5,148,556	9/1992	Bottoms et al.	.....	4/601
5,692,252	12/1997	Zwezdaryk	.....	4/601

*Primary Examiner*—Robin V. Taylor  
*Attorney, Agent, or Firm*—Dougherty & Associates

[57] **CLAIM**

The ornamental design for an interchangeable shower system, as shown and described.

**DESCRIPTION**

FIG. 1 is a perspective view of an interchangeable shower system showing my new design, the hollow frame shown broken away to indicate indeterminate length;

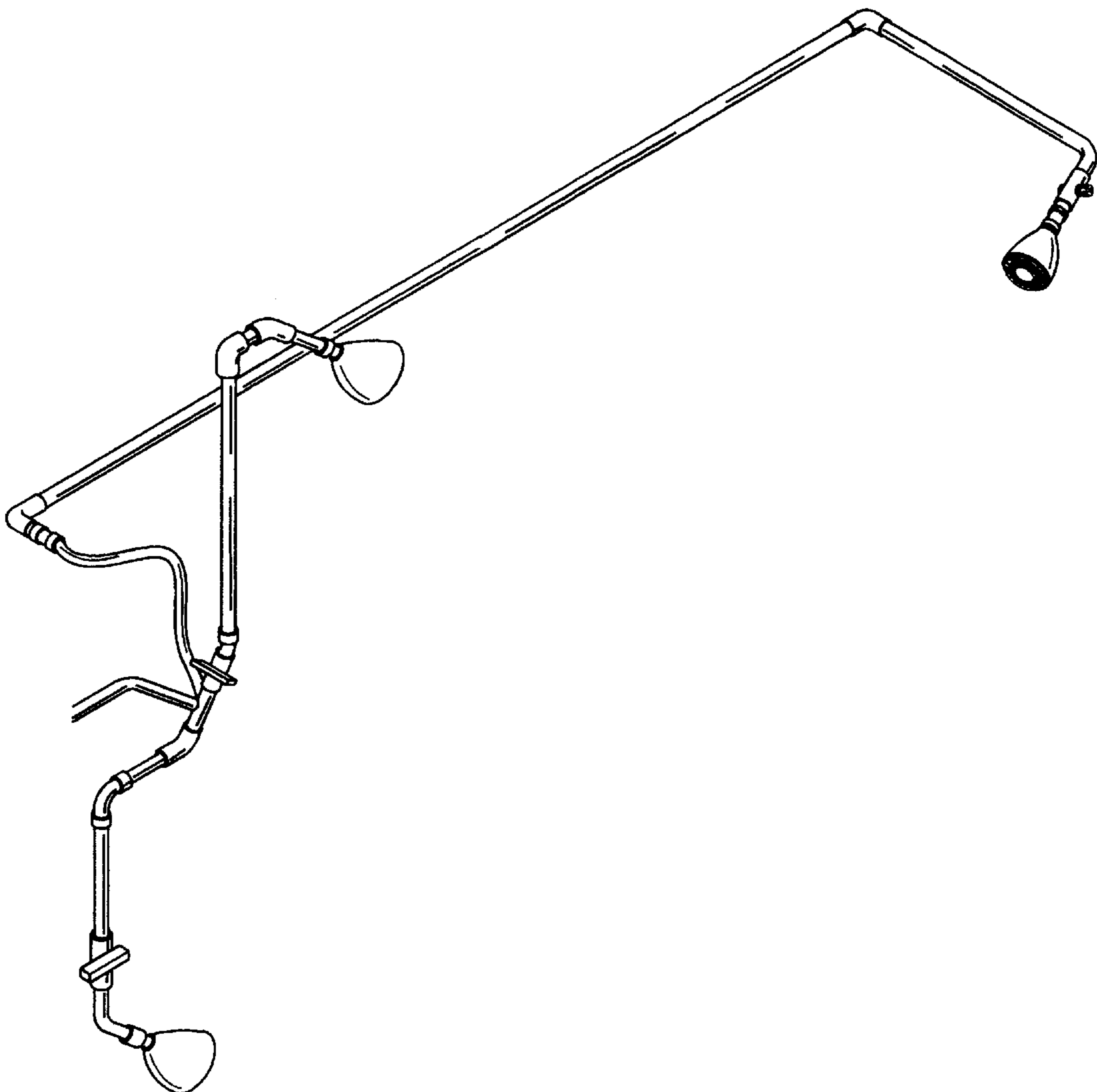
FIG. 2 is a top view of the interchangeable shower system shown in FIG. 1;

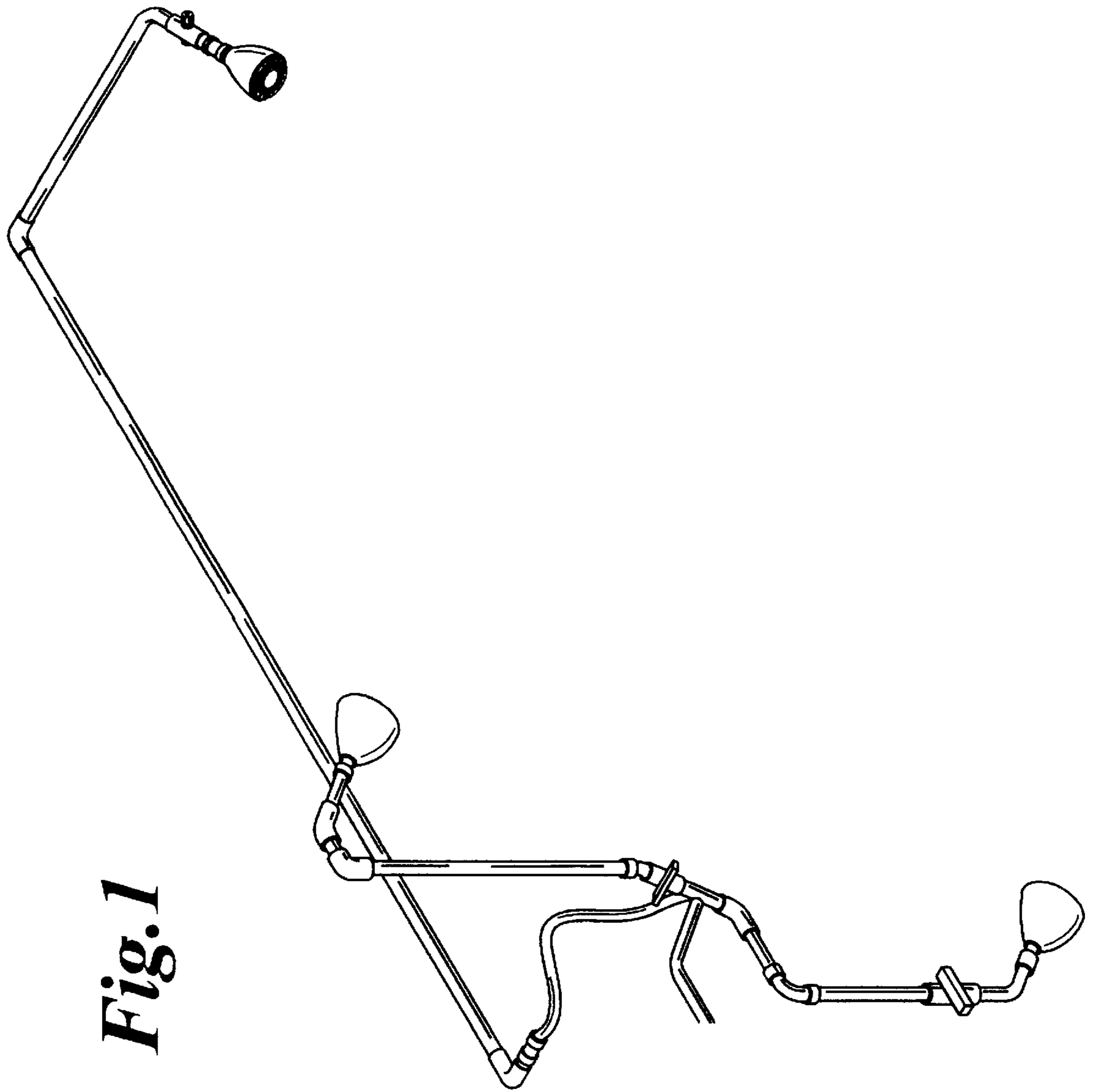
FIG. 3 is an end view of the interchangeable shower system shown in FIG. 1 as seen from the perspective of the water source;

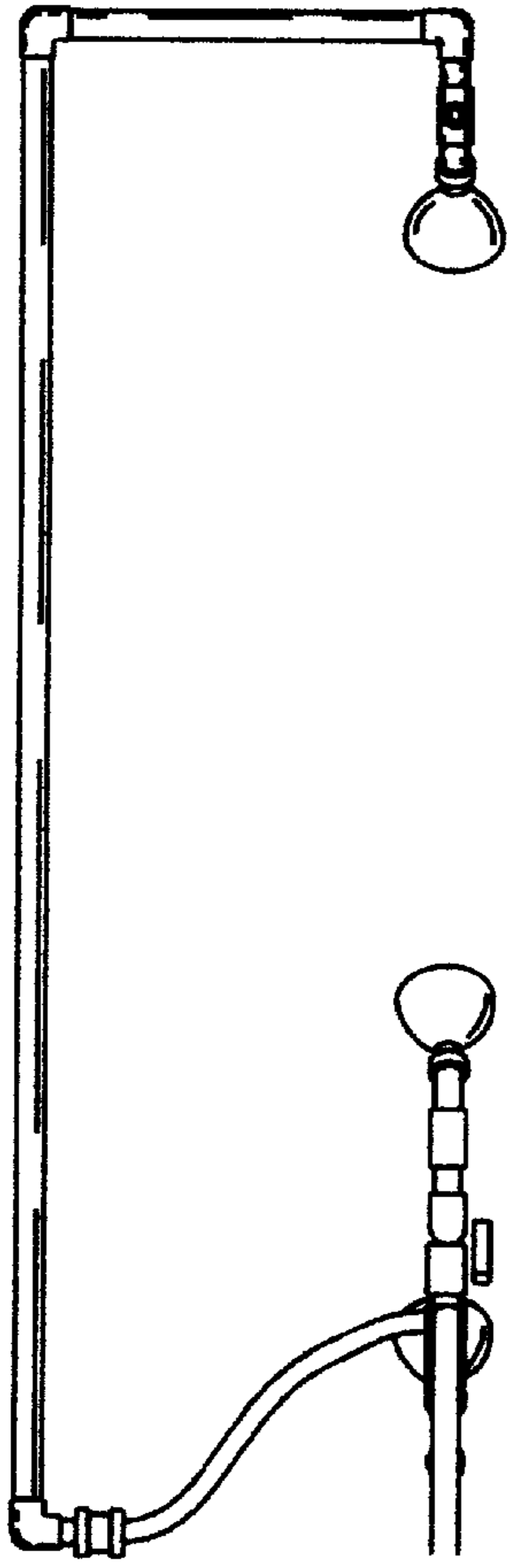
FIG. 4 is a side view of the interchangeable shower system shown in FIG. 1; and,

FIG. 5 is an end view of the interchangeable shower system shown in FIG. 1 as seen from a perspective opposite the water source.

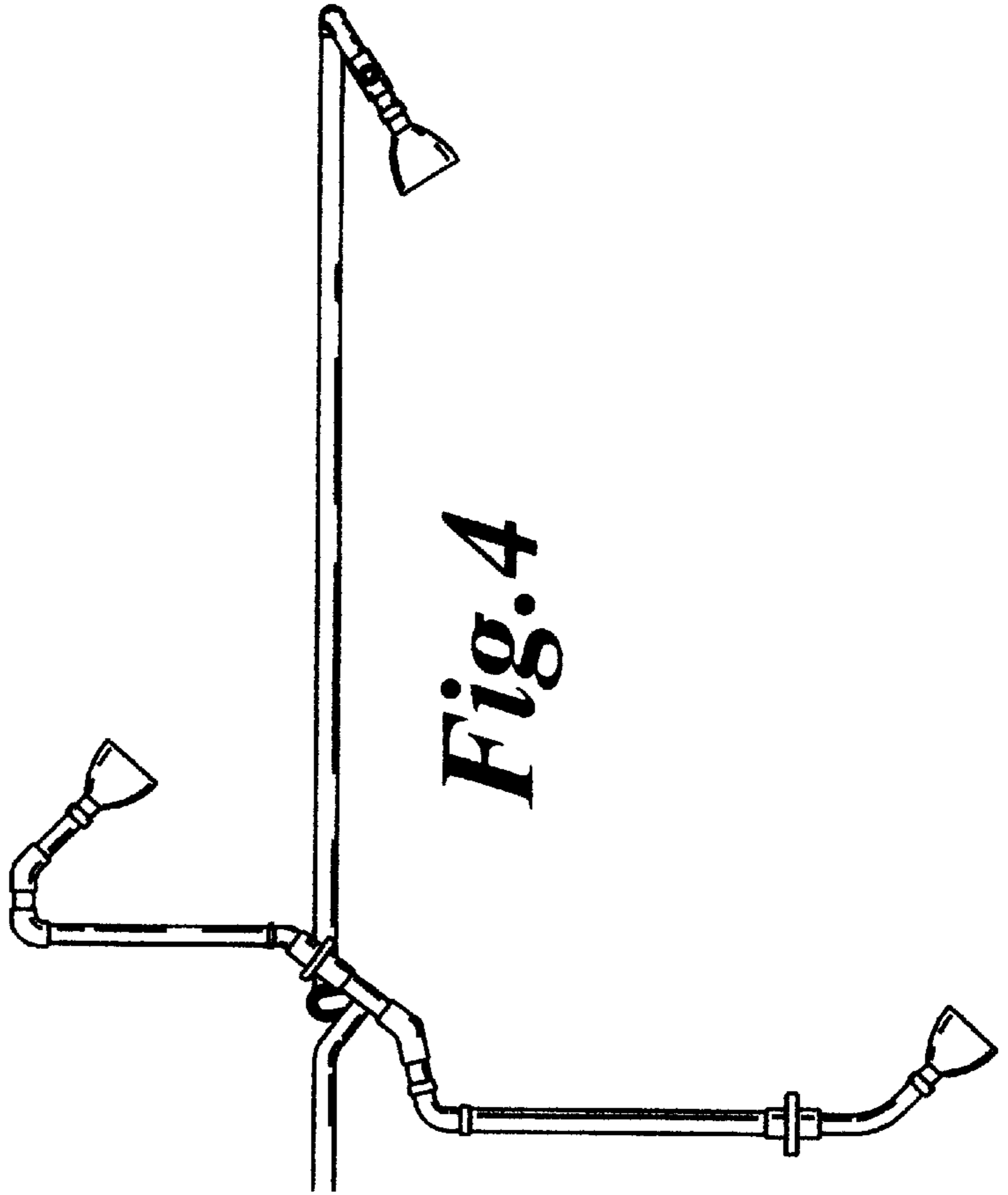
**1 Claim, 2 Drawing Sheets**



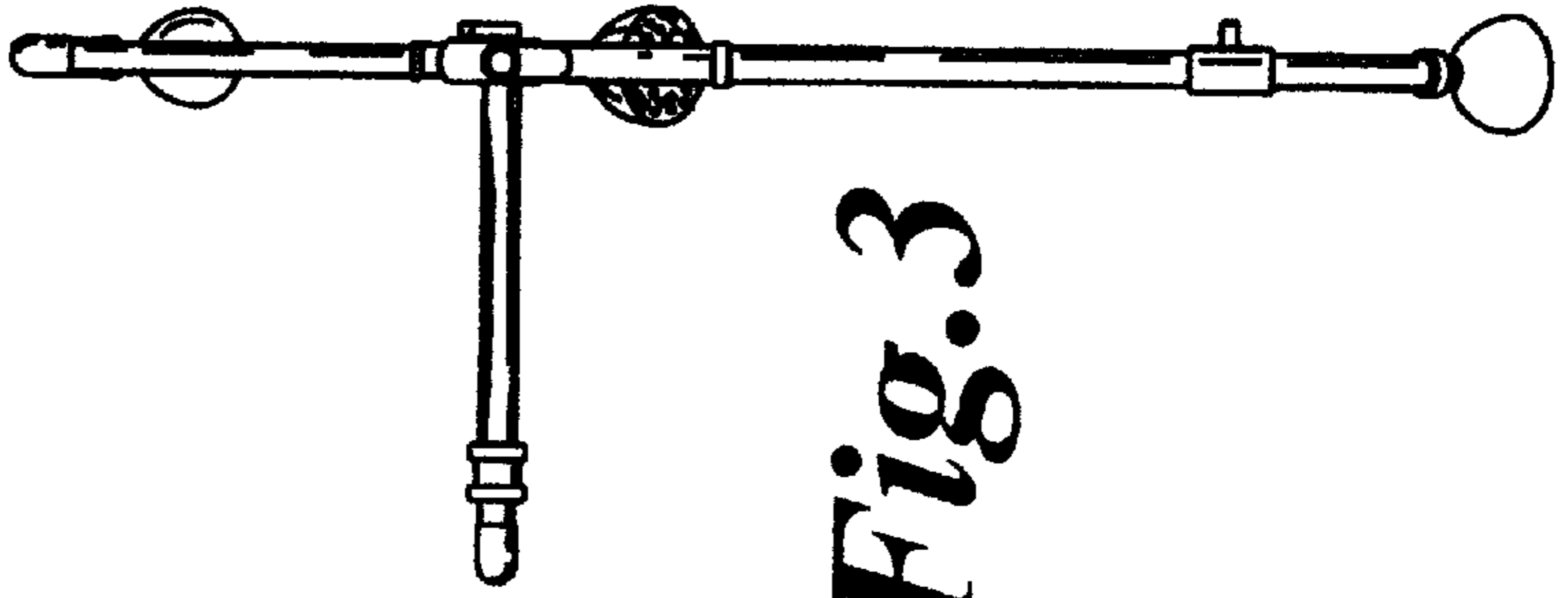




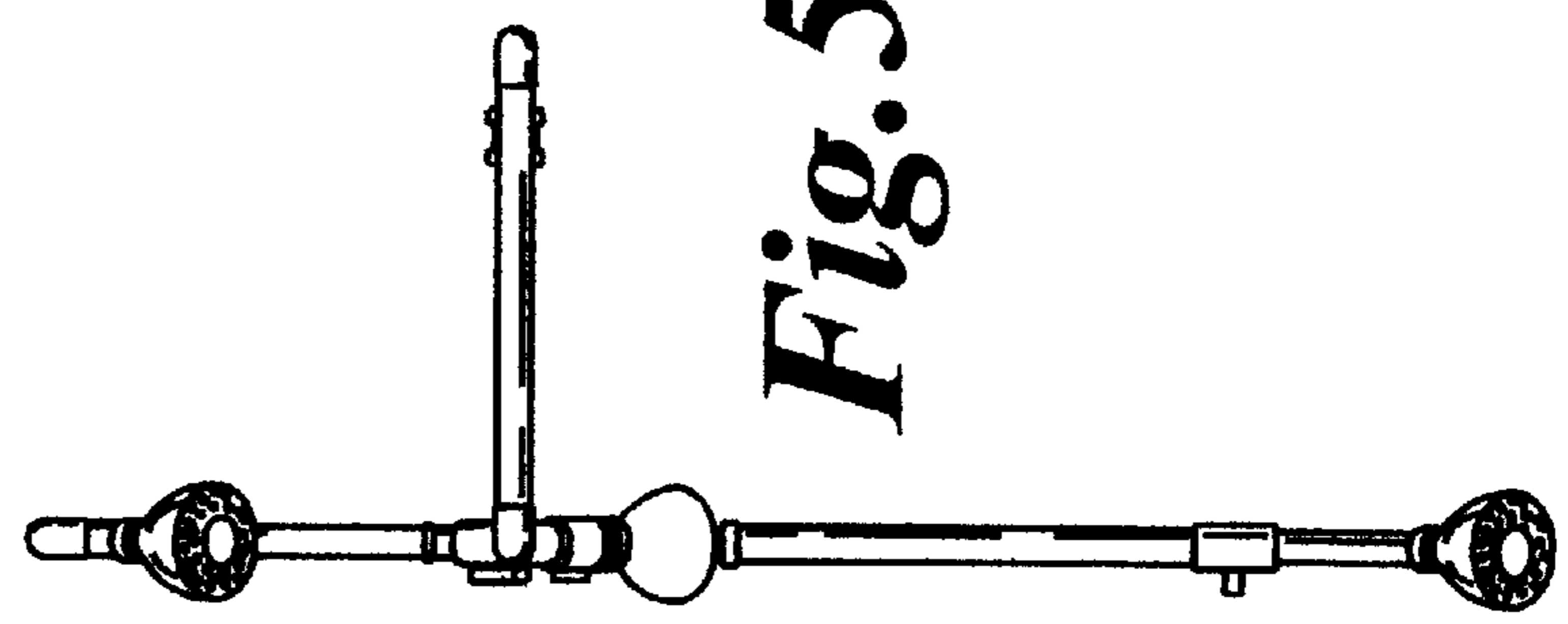
*Fig. 2*



*Fig. 4*



*Fig. 3*



*Fig. 5*