



US00D416604S

United States Patent [19] Drechsel

[11] **Patent Number: Des. 416,604**

[45] **Date of Patent: ** Nov. 16, 1999**

[54] **SPRINKLER**

[76] **Inventor: Arno Drechsel, Via Castel Mareccio, 4, 39100 Bolzano, Italy**

[**] **Term: 14 Years**

[21] **Appl. No.: 29/094,561**

[22] **Filed: Oct. 5, 1998**

[30] Foreign Application Priority Data

Aug. 6, 1998 [XH] Hague Agreement DM/044867

[51] **LOC (6) Cl. 23-01**

[52] **U.S. Cl. D23/214**

[58] **Field of Search D23/213-215, D23/228-230, 217-219; 239/225.1, 230-233, 222.13, 222.21, 240.2**

[56] References Cited

U.S. PATENT DOCUMENTS

D. 285,476 9/1986 Christen D23/214
D. 287,267 12/1986 Premo et al. D23/214

3,744,720 7/1973 Meyer 239/231
3,986,671 10/1976 Nugent 239/230
4,669,663 6/1987 Meyer 239/230
5,353,989 10/1994 Drechsel 239/230
5,622,316 4/1997 Drechsel 239/230

Primary Examiner—Robin V. Taylor
Attorney, Agent, or Firm—R. Neil Sudol; Henry D. Coleman

[57] CLAIM

The ornamental design for a sprinkler, as shown and described.

DESCRIPTION

FIG. 1 is a left side elevational view of the sprinkler.
FIG. 2 is a top plan view thereof.
FIG. 3 is a bottom plan view thereof.
FIG. 4 is a rear left side perspective view thereof.
FIG. 5 is a front elevational view thereof.
FIG. 6 is a right side elevational view thereof; and,
FIG. 7 is a rear elevational view of the sprinkler.

1 Claim, 7 Drawing Sheets



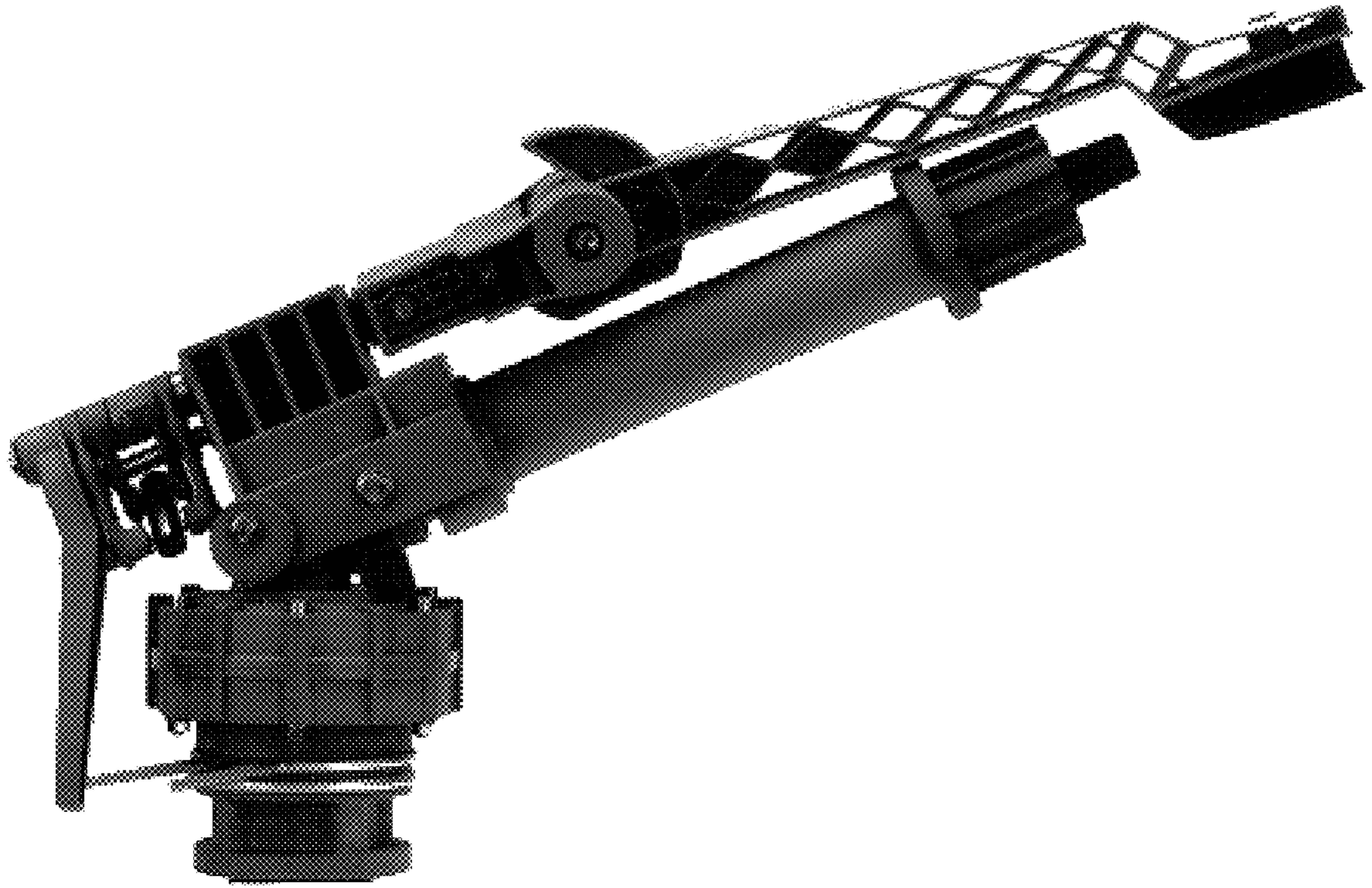


FIG. 1

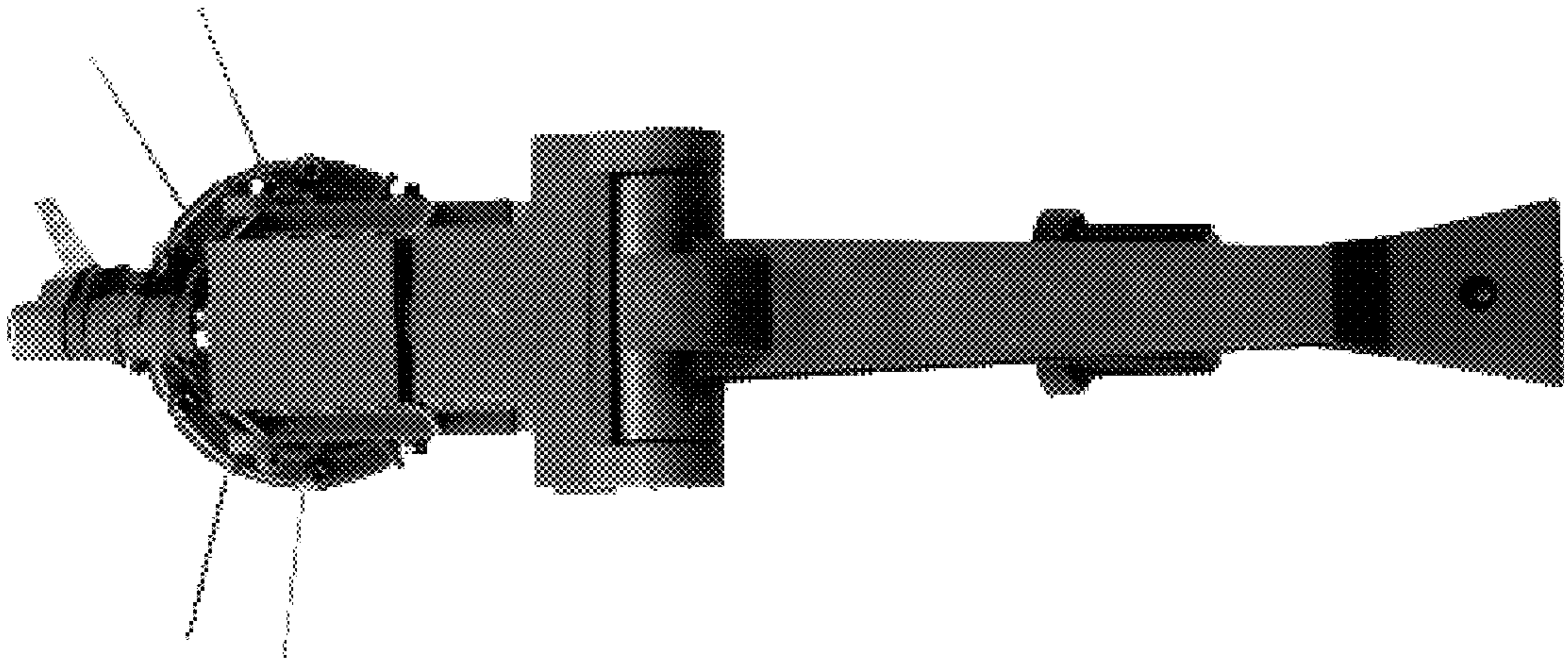


FIG. 2

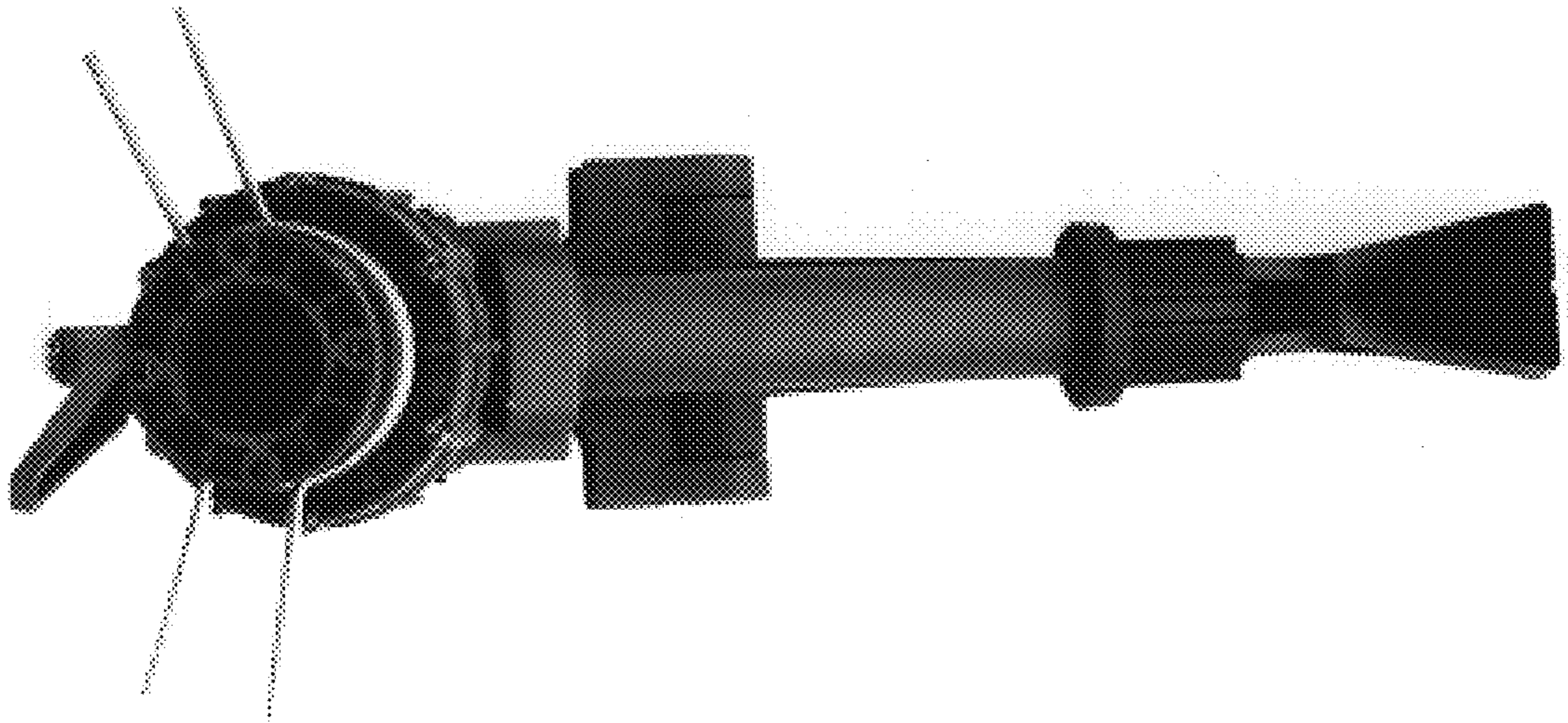


FIG. 3

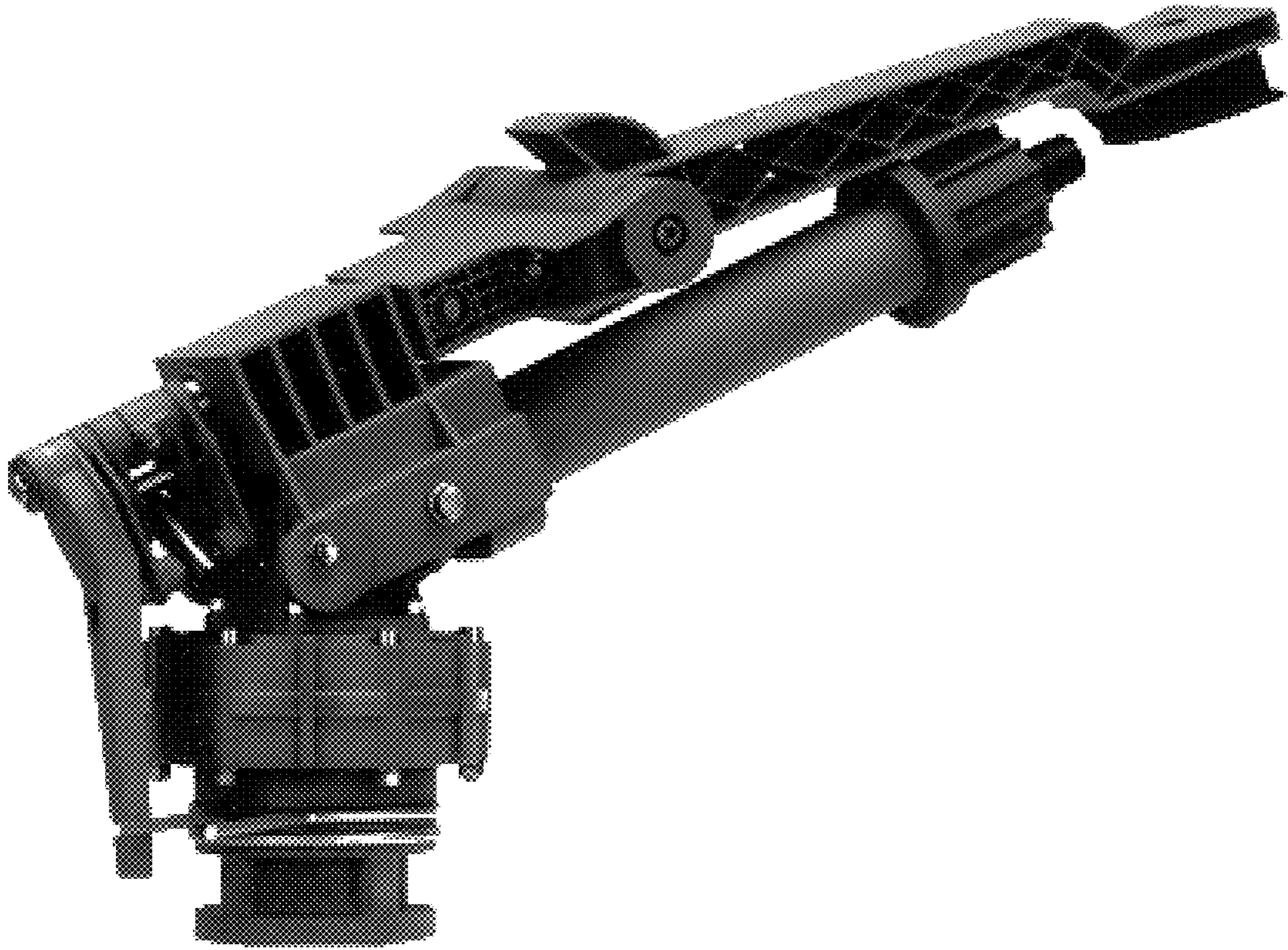


FIG. 4

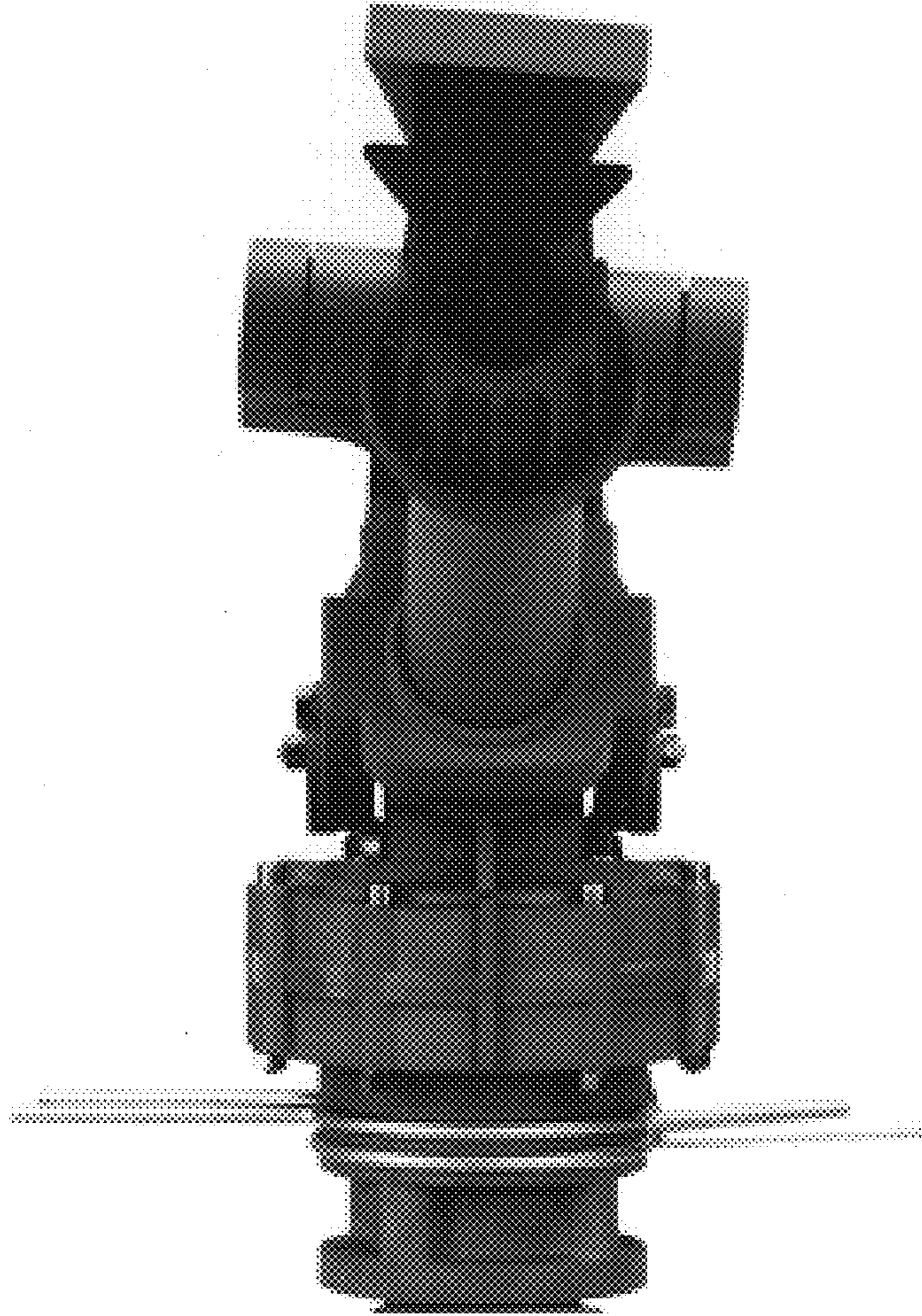


FIG. 5

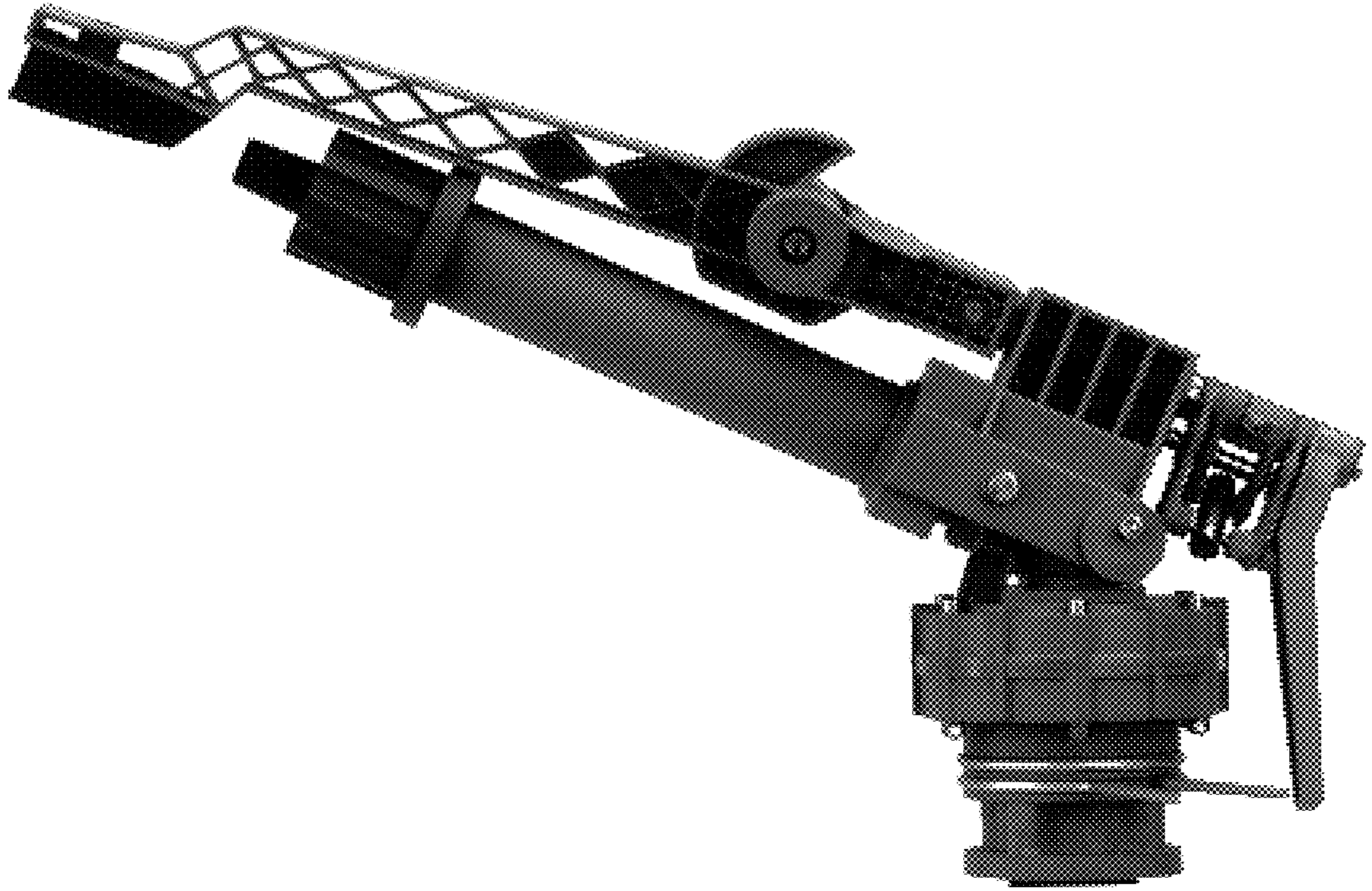


FIG. 6

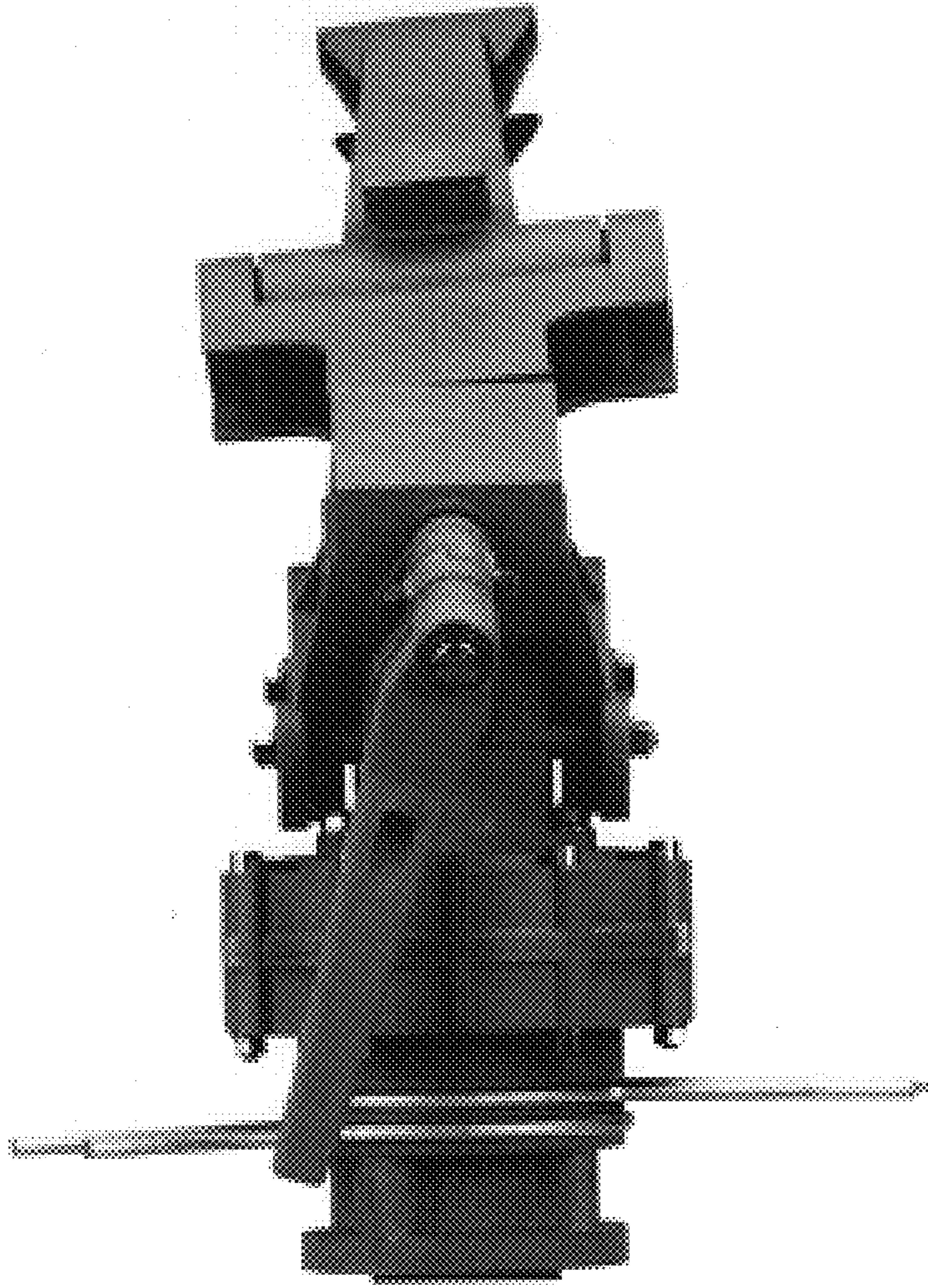


FIG. 7