



US00D416600S

United States Patent [19]

Arney et al.

[11] Patent Number: **Des. 416,600**

[45] Date of Patent: **** Nov. 16, 1999**

[54] **BALL RETURN AND STORAGE RACK**

[75] Inventors: **Michael D. Arney**, Needham; **David P. Chastain**, Acton; **John C. Costello**, Wellesley; **John D. Fiegner**, Jamaica Plain; **Thor Hendrickson**, Watertown, all of Mass.; **Ronald G. Wood**, Mechanicsville, Va.; **Kevin R. Young**, Brighton, Mass.

[73] Assignee: **AMF Bowling Products, Inc.**, Mechanicsville, Va.

[**] Term: **14 Years**

[21] Appl. No.: **29/090,258**

[22] Filed: **Jul. 2, 1998**

[51] **LOC (6) Cl.** **21-02**

[52] **U.S. Cl.** **D21/785**

[58] **Field of Search** D21/785, 786; 473/70, 106, 110-117, 54

[56] **References Cited**

U.S. PATENT DOCUMENTS

D. 236,844	9/1975	Meade	D21/785
D. 349,320	8/1994	Hagen	D21/785
D. 349,836	8/1994	Rocheftort	D21/785
D. 367,097	2/1996	Stirling et al.	D21/785

916,056	3/1909	Talbert	473/53
2,301,778	11/1942	Grempe et al.	473/113
2,796,261	6/1957	Turner	473/110
3,063,719	11/1962	Rosenberger	473/110
3,119,615	1/1964	Anderson	473/110
5,624,322	4/1997	Riley	473/110 X
5,702,308	12/1997	Alexander, Jr.	473/70

Primary Examiner—Prabhakar Deshmukh
Attorney, Agent, or Firm—Dougherty & Troxell

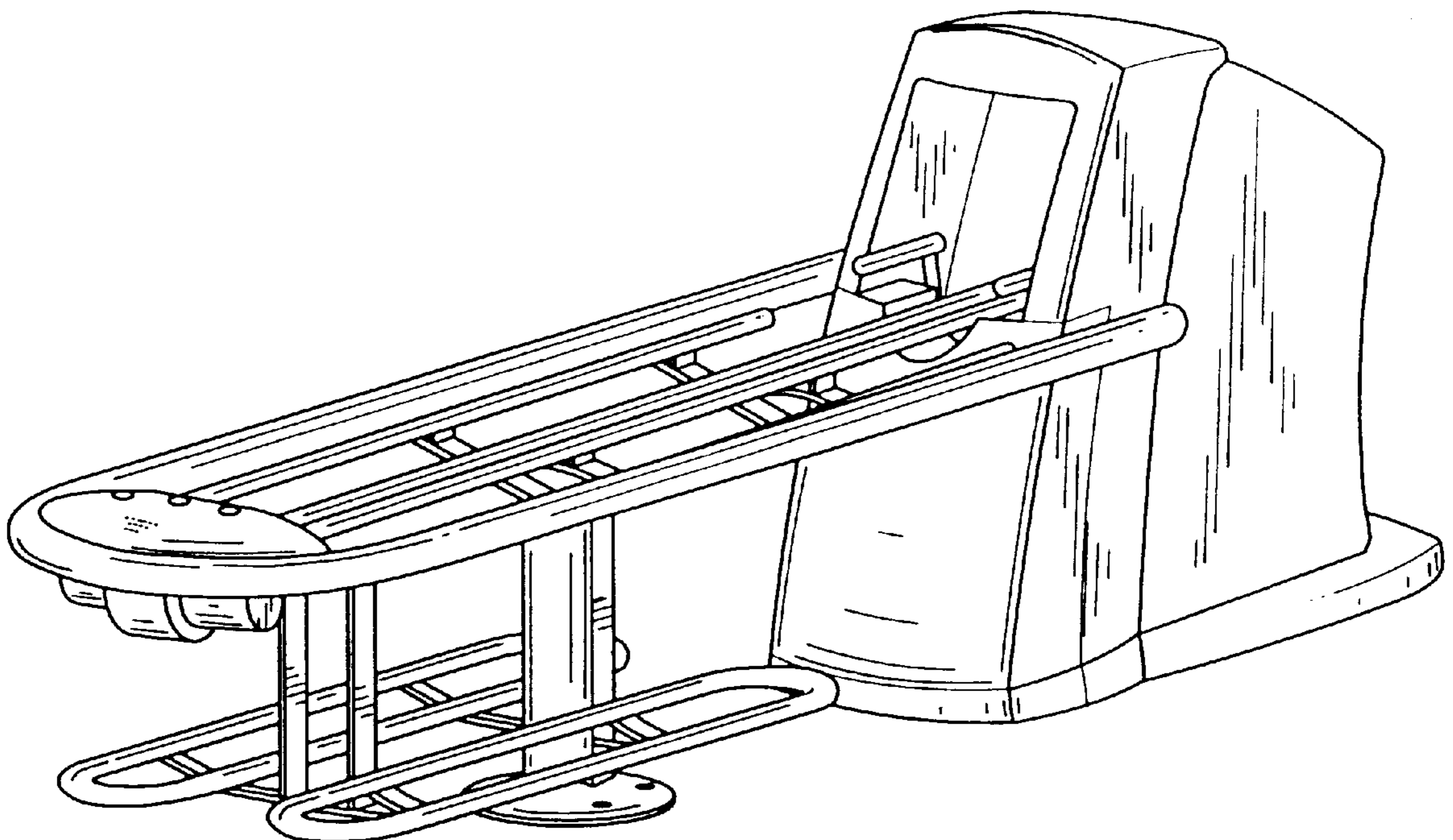
[57] **CLAIM**

The ornamental design for a ball return and storage rack, as shown and described.

DESCRIPTION

FIG. 1 is a perspective view of a bowling ball return and storage rack in accordance with the present invention; FIG. 2 is a side-elevational view of the ball return and storage rack as shown in FIG. 1, and which is a mirror image of the opposite side; FIG. 3 is a side-elevational view taken from one end of the ball return and storage rack shown in FIGS. 1 and 2; FIG. 4 is a top or plan view of the ball return and storage rack shown in FIGS. 1-3; FIG. 5 is a bottom plan view of the ball return and storage rack shown in FIGS. 1-4; and, FIG. 6 is a side-elevational view taken from an opposite end of the ball return and storage rack shown in FIG. 3.

1 Claim, 3 Drawing Sheets



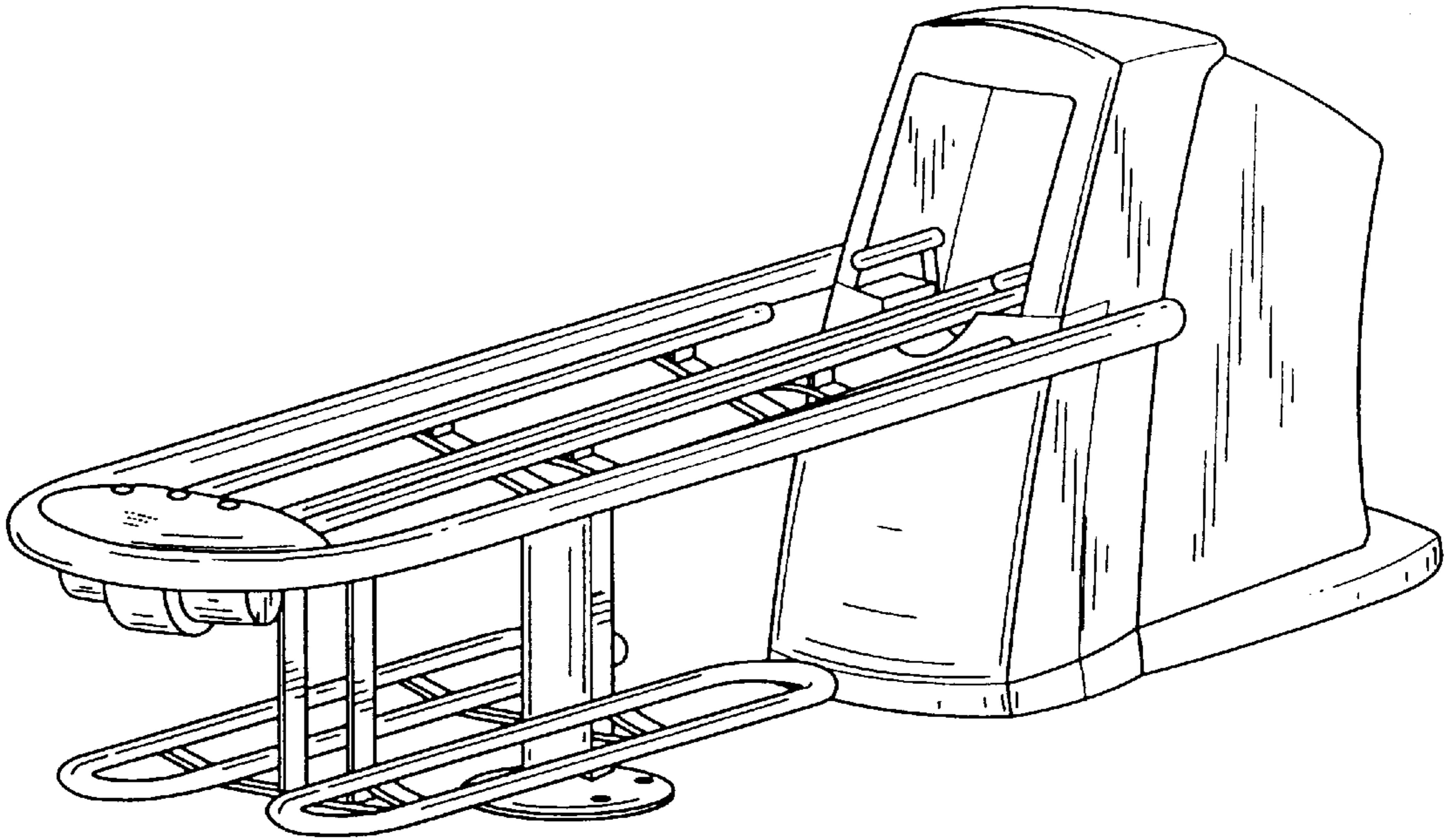


FIG. 1

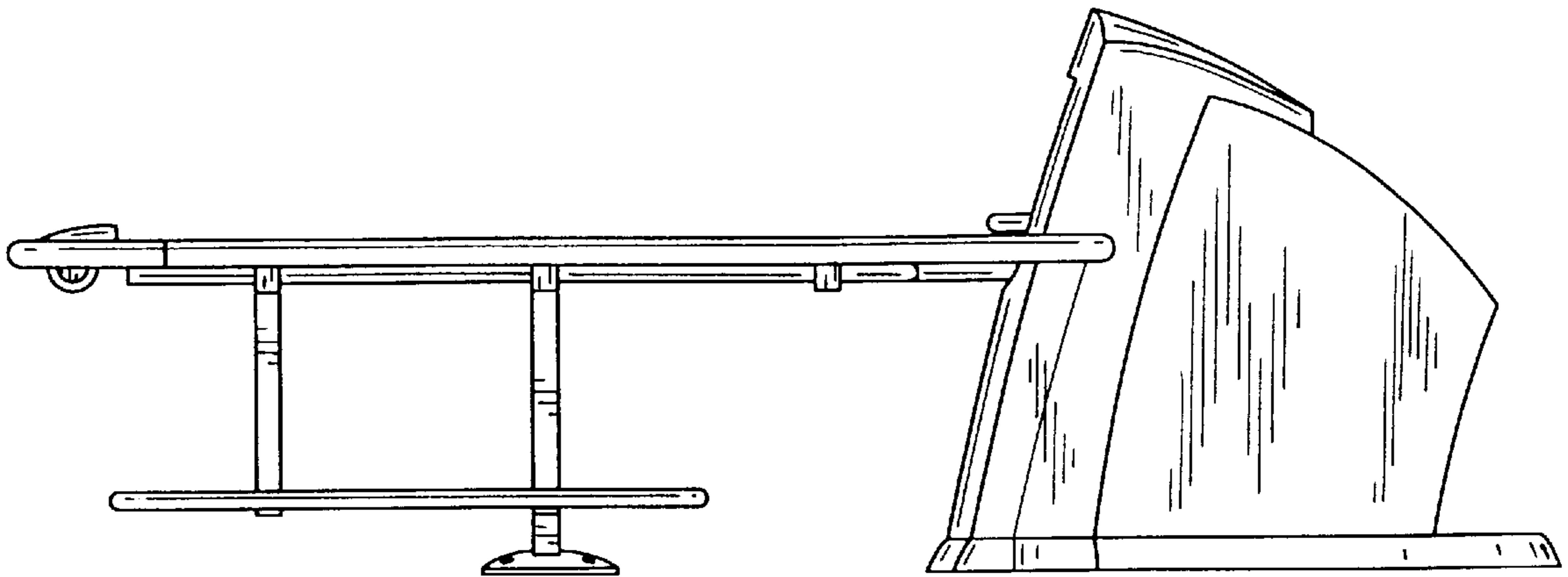


FIG. 2

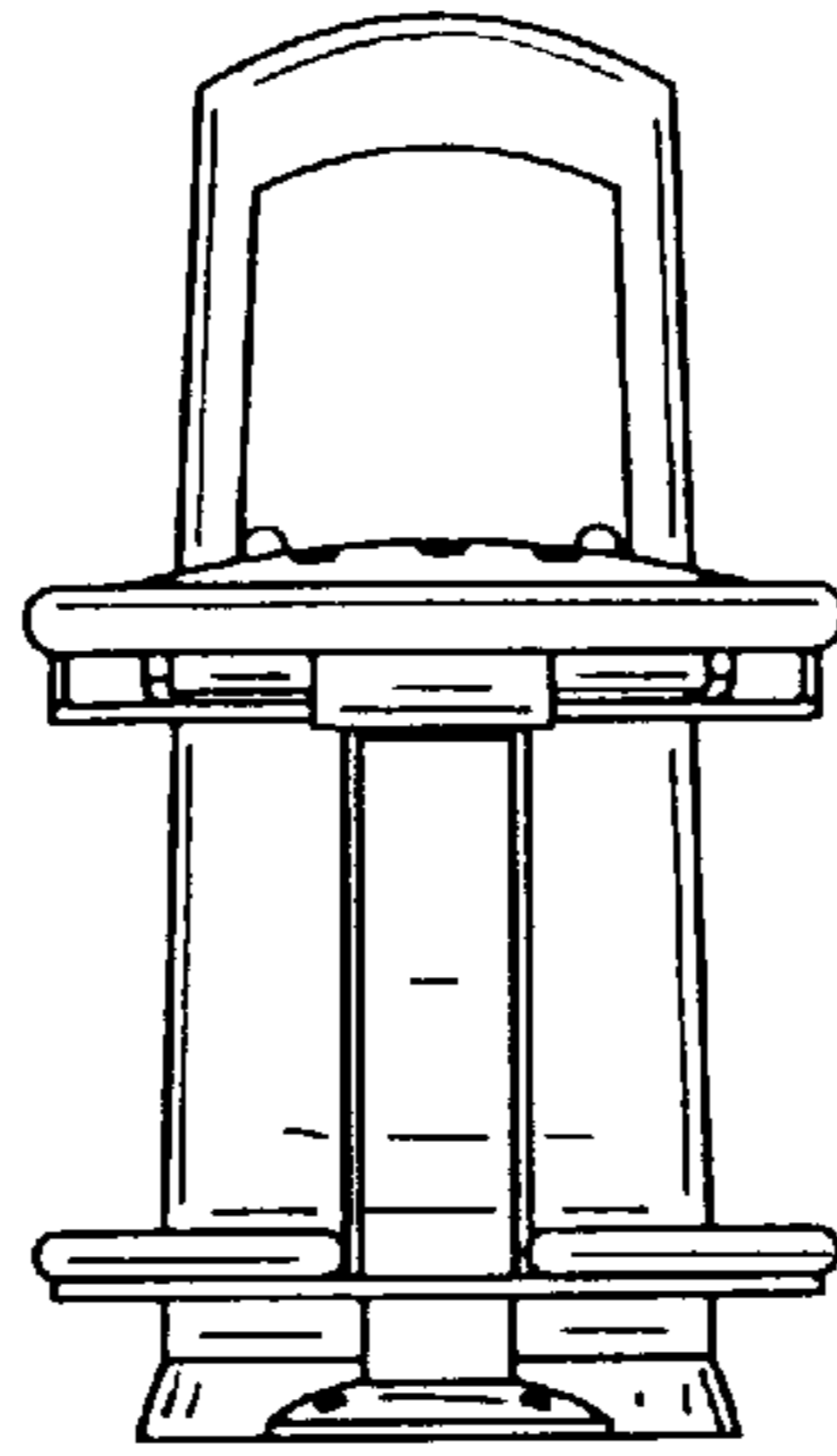


FIG. 3

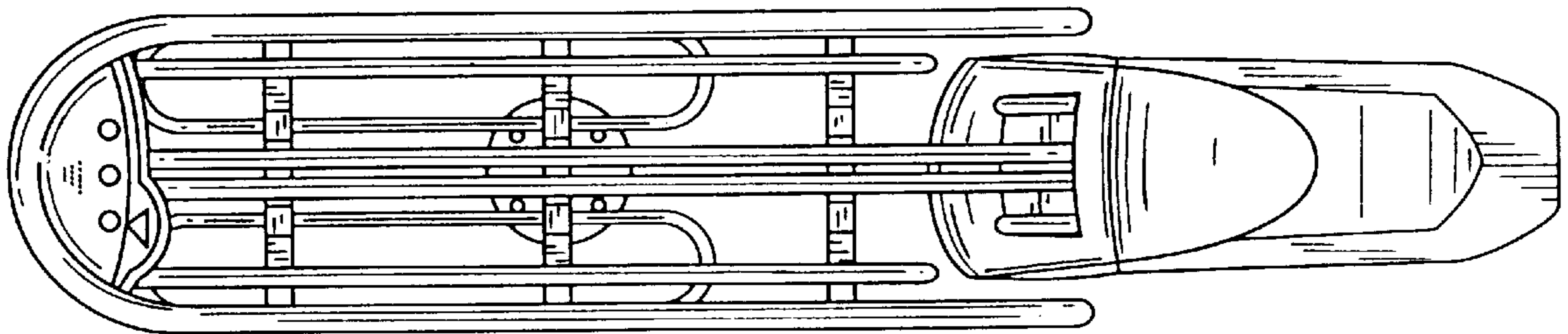


FIG. 4

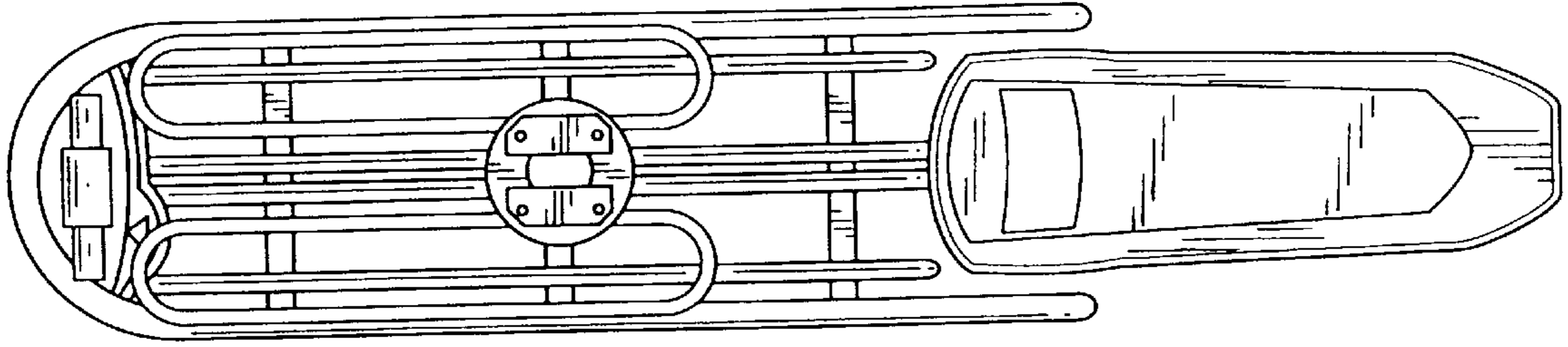


FIG. 5

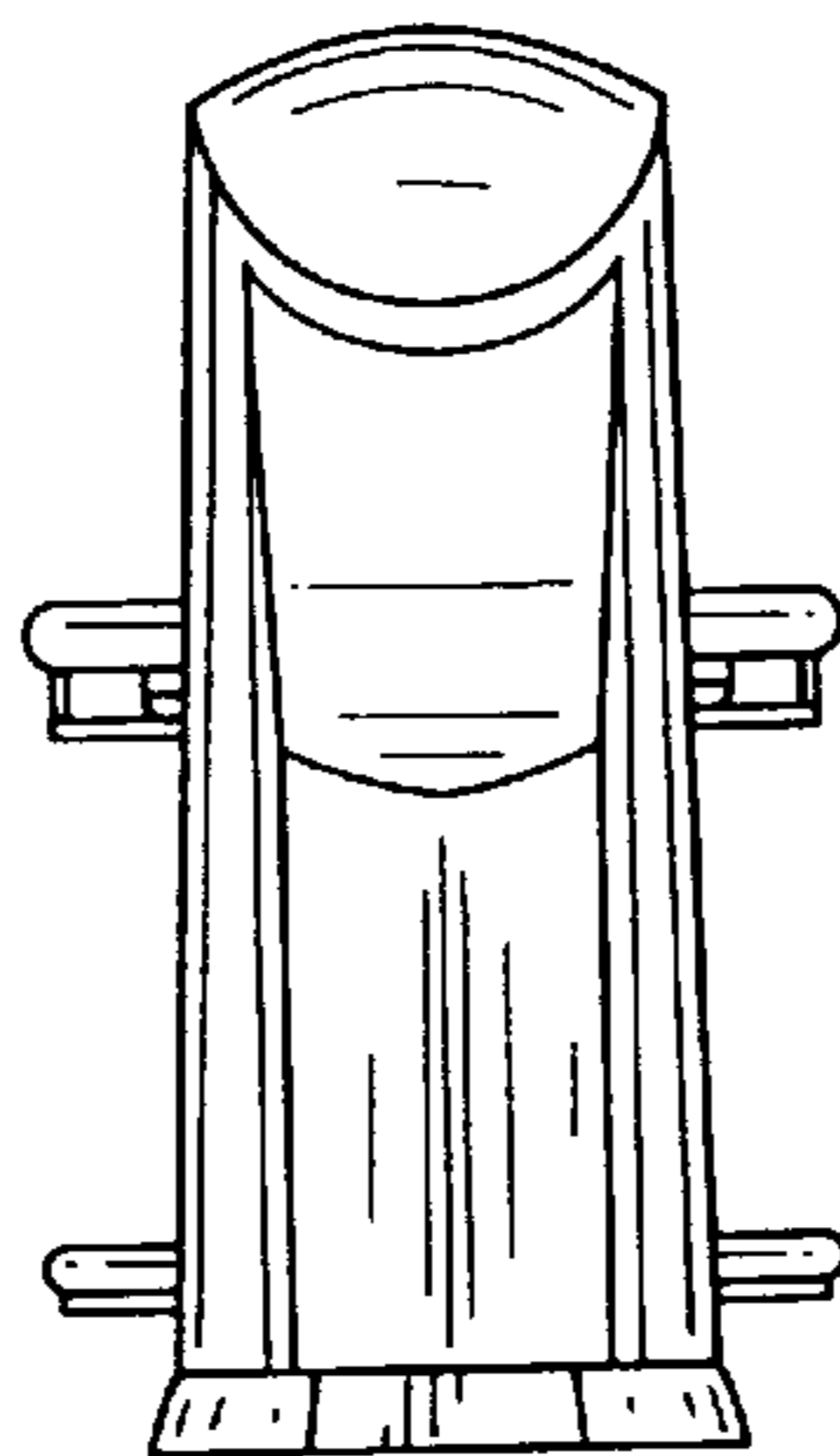


FIG. 6