



US00D416596S

United States Patent [19]
Armstrong

[11] **Patent Number: Des. 416,596**

[45] **Date of Patent: ** Nov. 16, 1999**

[54] **ARCUATE CONSOLE SUPPORT ARM ASSEMBLY WITH TRIANGULAR HANDRAILS**

[75] Inventor: **Timothy O. Armstrong**, Clark Summit, Pa.

[73] Assignee: **Icon Health & Fitness, Inc.**, Logan, Utah

[**] Term: **14 Years**

[21] Appl. No.: **29/095,219**

[22] Filed: **Oct. 19, 1998**

[51] **LOC (6) Cl.** **21-02**

[52] **U.S. Cl.** **D21/694**

[58] **Field of Search** D21/694, 696, D21/662, 668, 669, 670; 482/51, 52, 54, 70, 71, 4

[56] **References Cited**

U.S. PATENT DOCUMENTS

D. 304,849	11/1989	Watterson	D21/192
D. 306,468	3/1990	Watterson	D21/192
D. 306,891	3/1990	Watterson	D21/192
D. 344,557	2/1994	Ashby	D21/192

D. 348,493	7/1994	Ashby	D21/192
D. 348,494	7/1994	Ashby	D21/192
D. 351,202	10/1994	Bingham	D21/694
D. 351,633	10/1994	Bingham	D21/694
D. 387,402	12/1997	Coody et al.	D21/669
D. 403,034	12/1998	Moon et al.	D21/669
5,372,559	12/1994	Dalebout et al.	482/54
5,672,140	9/1997	Watterson et al.	482/54
5,683,332	11/1997	Watterson et al.	482/54
5,772,560	6/1998	Watterson et al.	482/54

Primary Examiner—Philip S. Hyder
Attorney, Agent, or Firm—Workman, Nydegger & Seeley

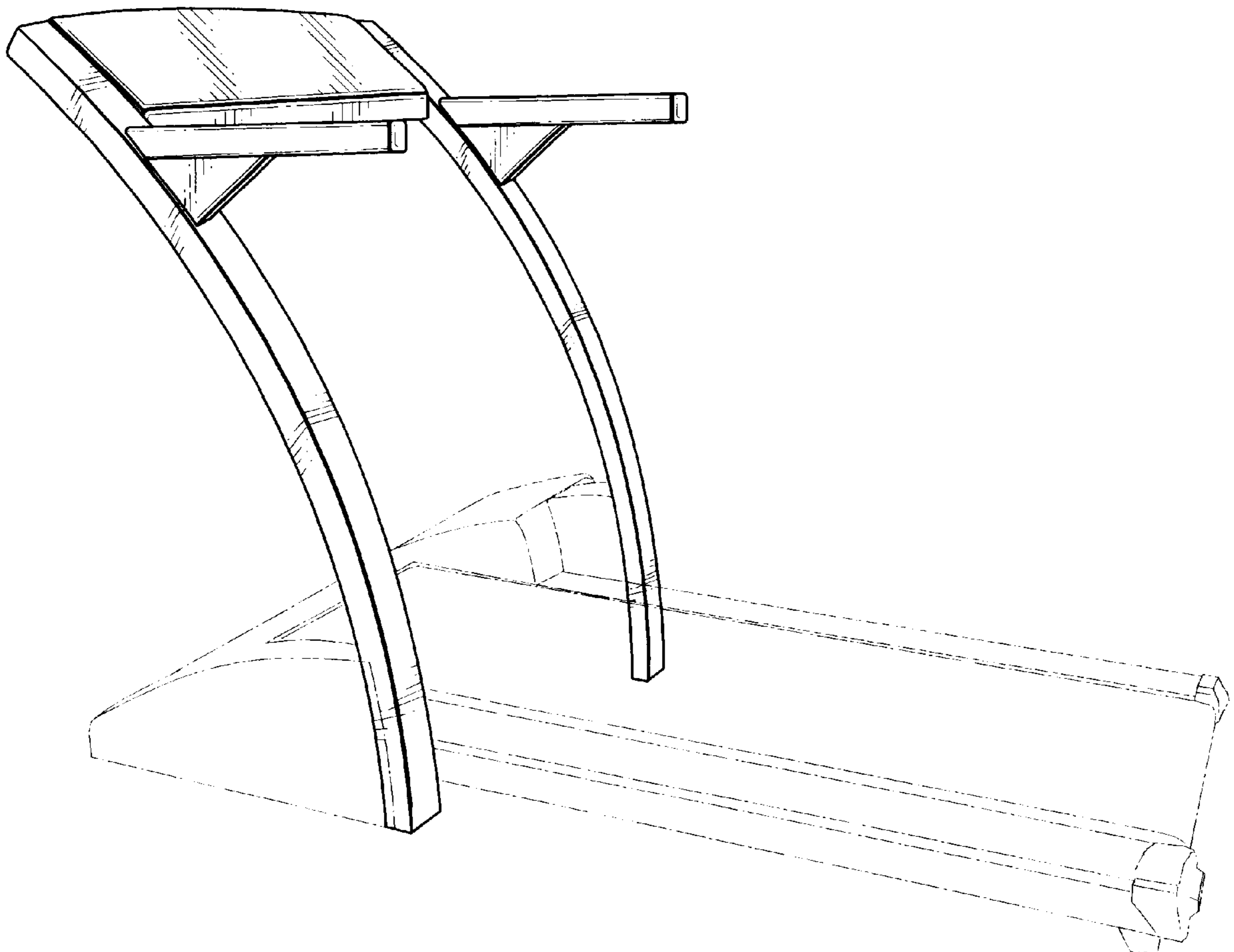
[57] **CLAIM**

The ornamental design for an arcuate console support arm assembly with triangular handrails, as shown and described.

DESCRIPTION

FIG. 1 is a perspective view of an arcuate console support arm assembly with triangular handrails showing my design; FIG. 2 is a left side view of the design shown in FIG. 1, the right side view being the mirror image thereof; FIG. 3 is a front view of the design shown in FIG. 1; FIG. 4 is a back view of the design shown in FIG. 1; FIG. 5 is a top view of the design shown in FIG. 1; and, FIG. 6 is a bottom view of the design shown in FIG. 1.

1 Claim, 3 Drawing Sheets



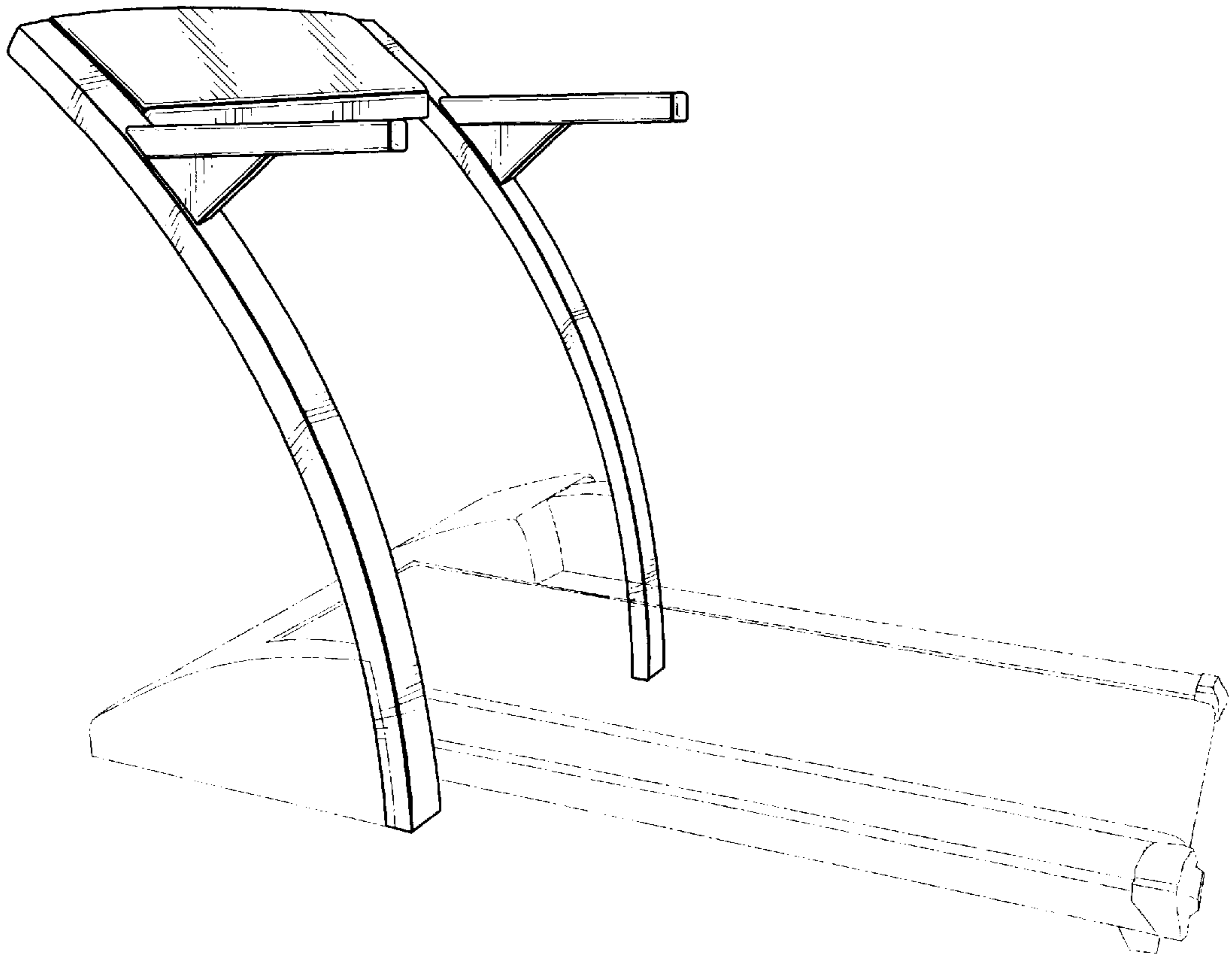


FIG. 1

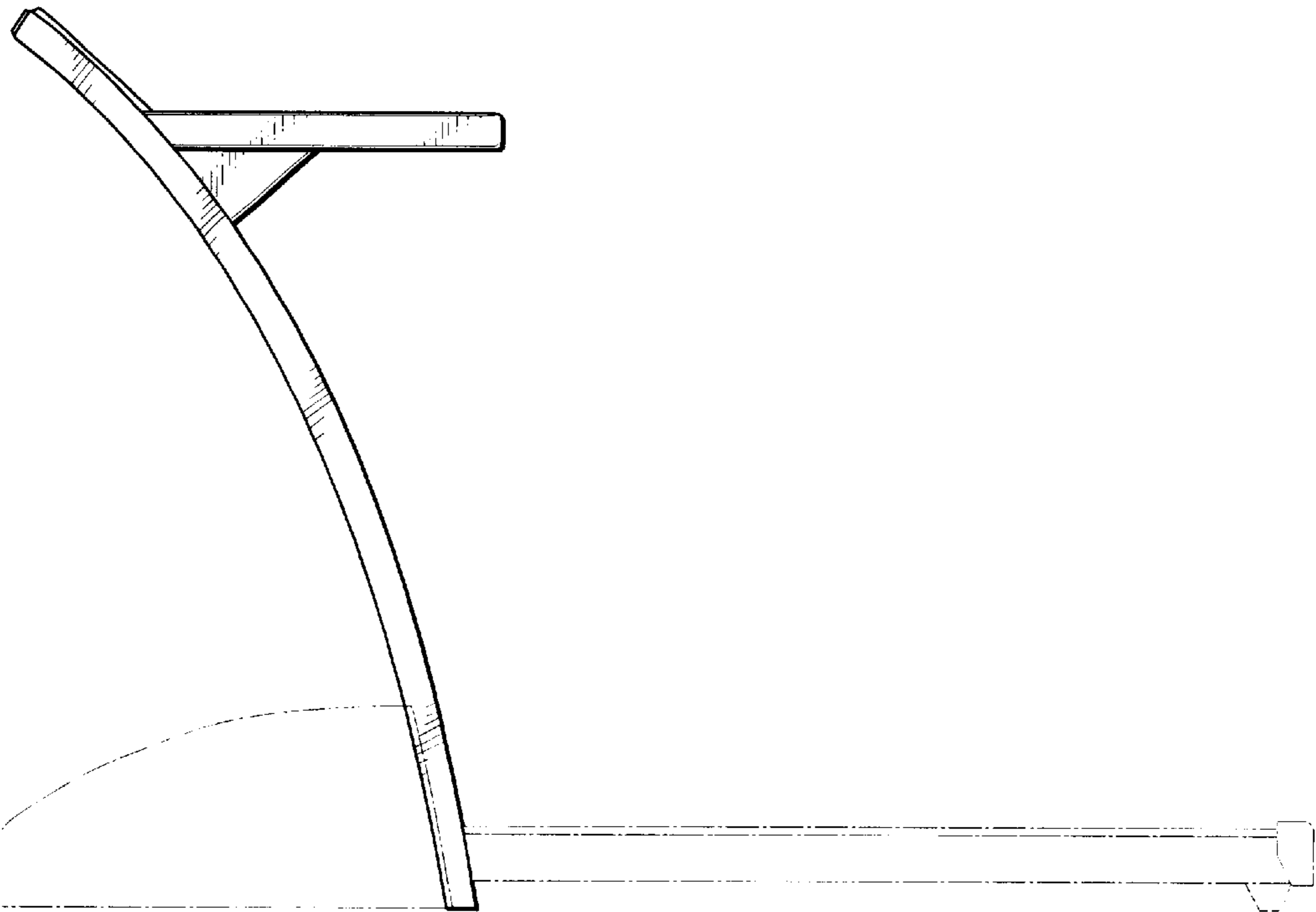


FIG. 2

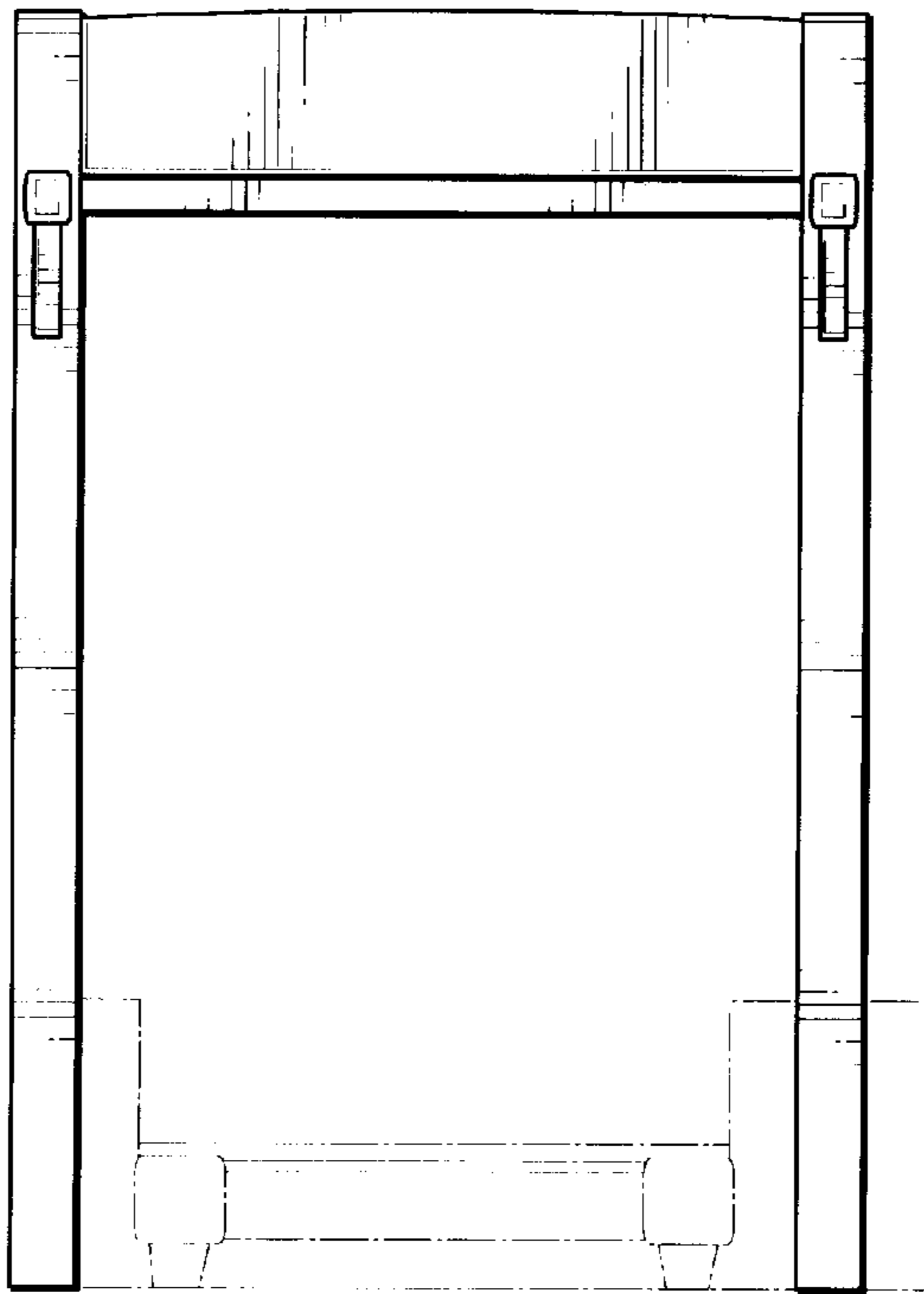


FIG. 3

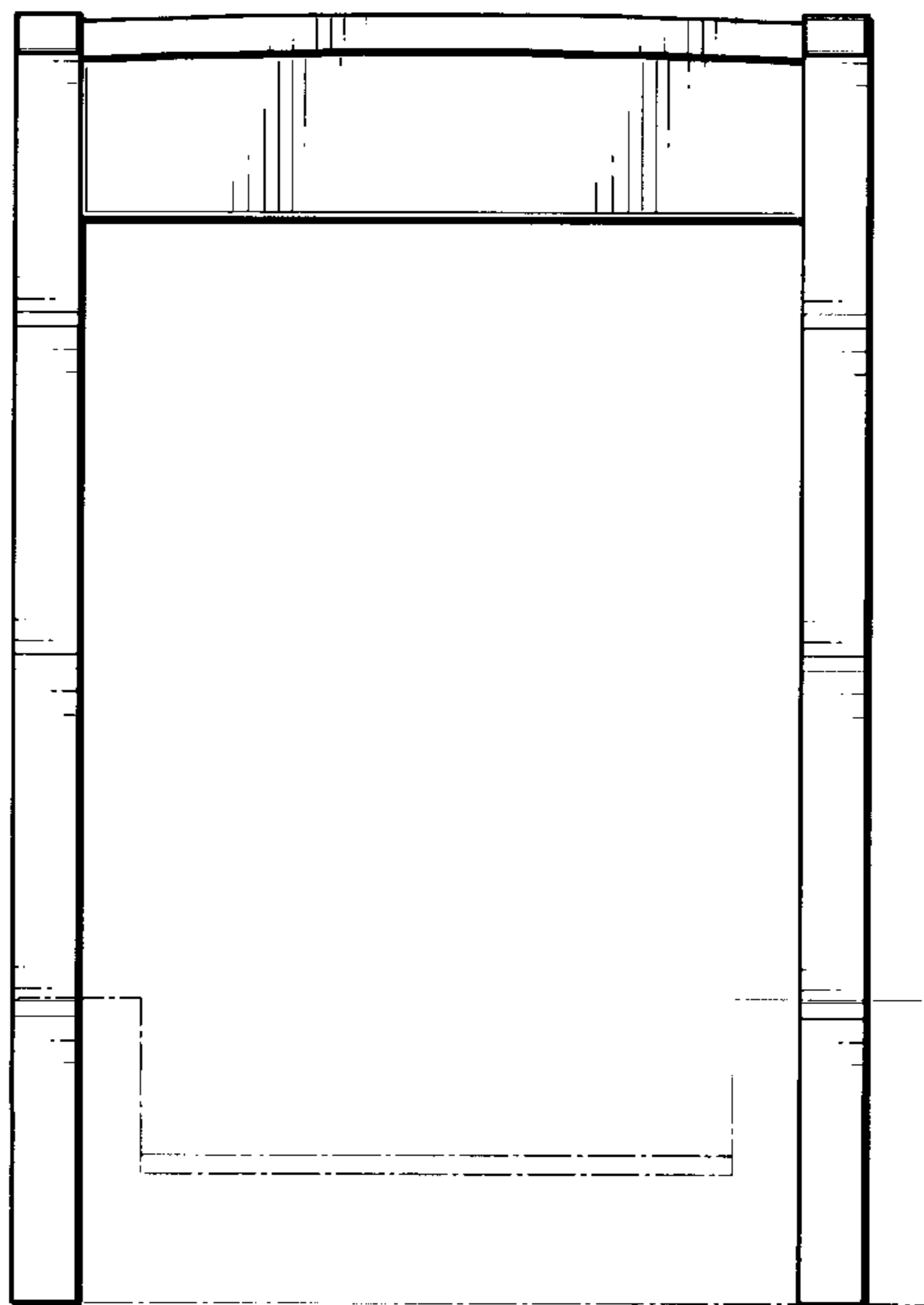


FIG. 4

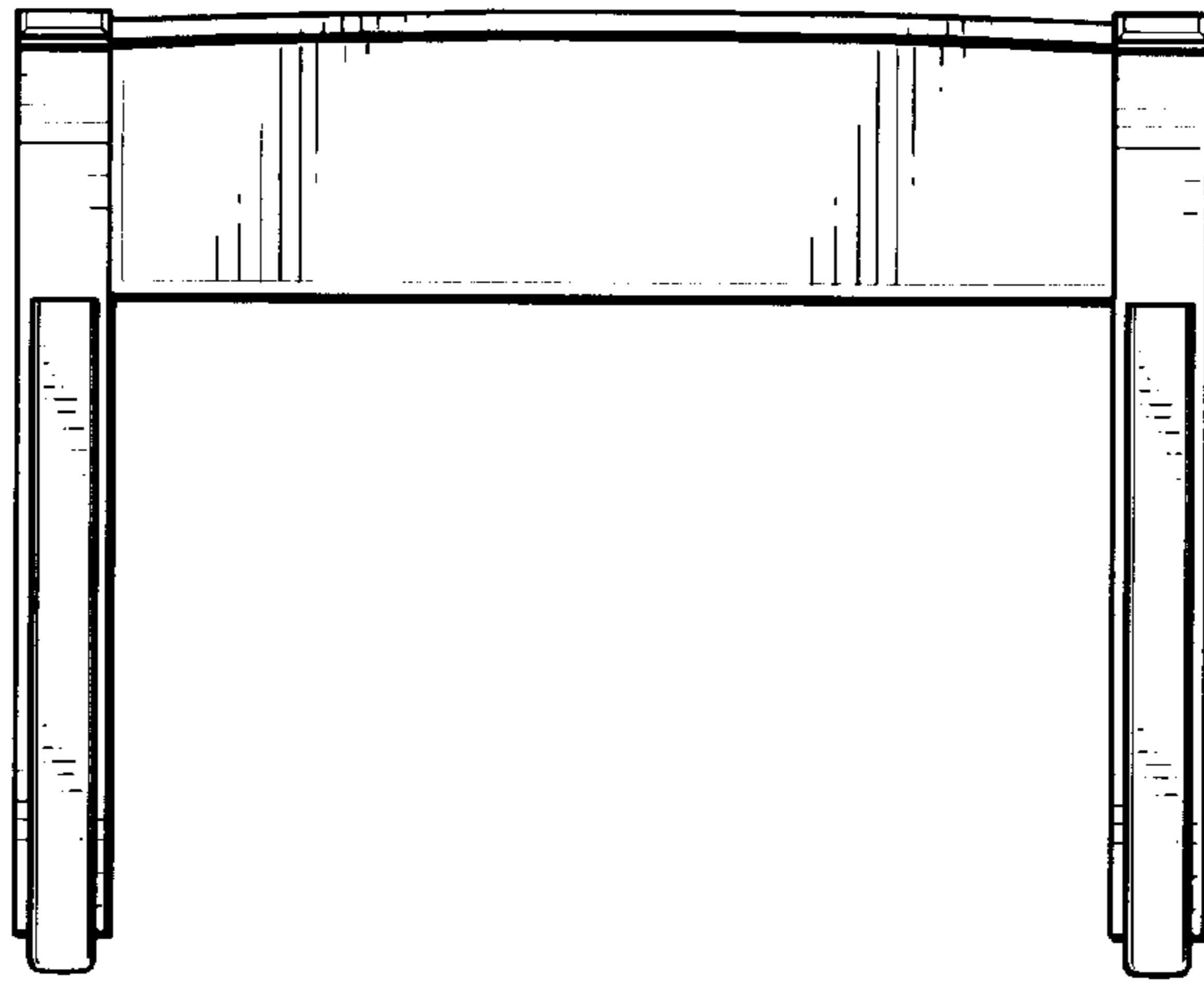


FIG. 5

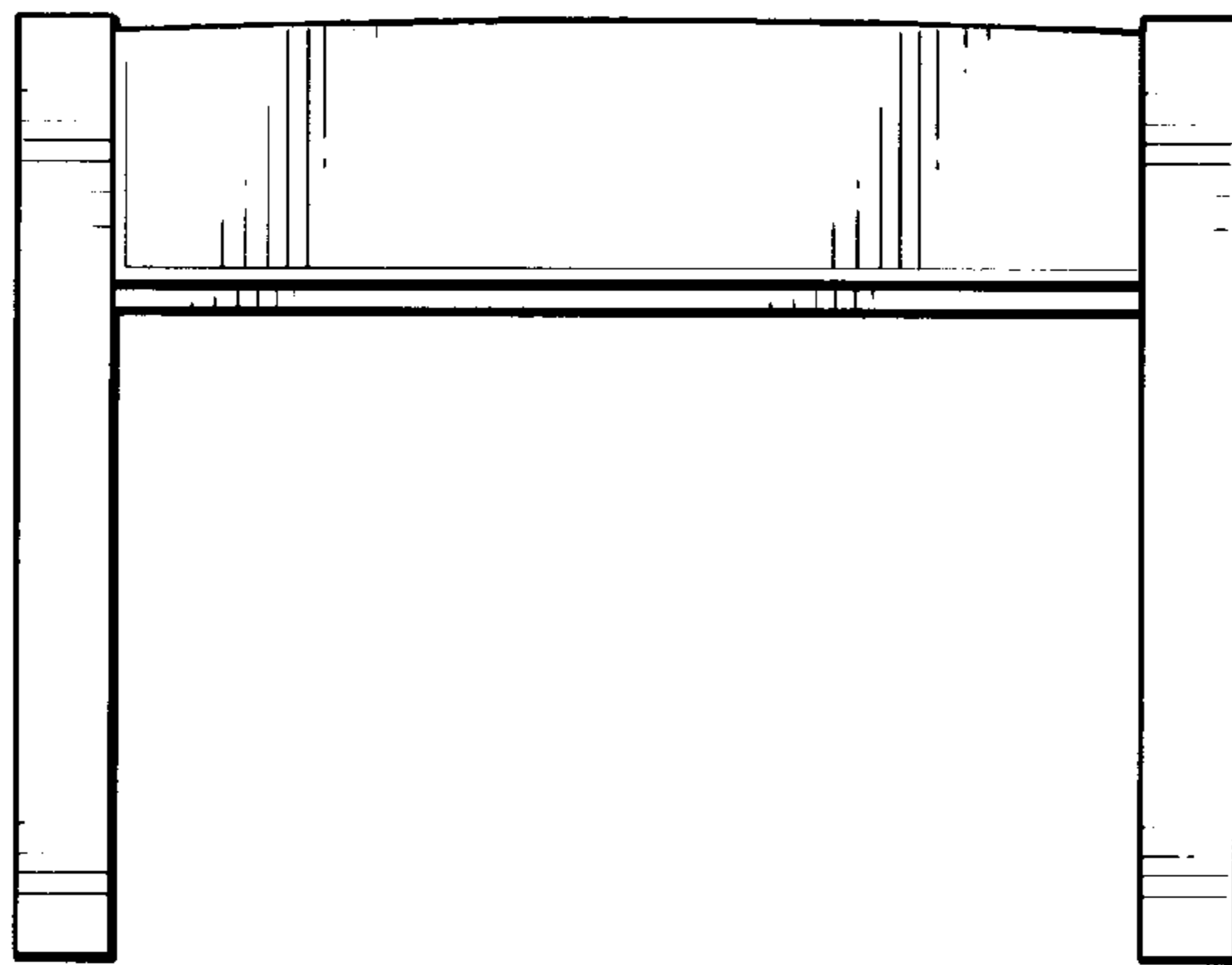


FIG. 6