



US00D416595S

**United States Patent** [19]  
**Pittzer, Jr.**

[11] **Patent Number: Des. 416,595**  
[45] **Date of Patent: \*\* Nov. 16, 1999**

[54] **RELAXER BENCH**  
[76] Inventor: **Raymond F. Pittzer, Jr.**, P.O. Box  
4733, Plant City, Fla. 33564  
[\*\*] Term: **14 Years**  
[21] Appl. No.: **29/095,646**  
[22] Filed: **Oct. 27, 1998**  
[51] **LOC (6) Cl. .... 21-02**  
[52] **U.S. Cl. .... D21/690**  
[58] **Field of Search .... D21/662, 686,**  
D21/687, 690; D6/382, 383; 482/140, 142;  
D24/183

5,050,589 9/1991 Engle ..... 482/142  
5,090,695 2/1992 Ciolino ..... 272/144  
5,149,314 9/1992 Ciolino et al. .... 482/111  
5,314,395 5/1994 Ciolino ..... 482/111  
5,514,057 5/1996 Ciolino ..... 482/111  
5,535,458 7/1996 Siverly ..... 4/579  
5,551,936 9/1996 Parisi et al. .... 482/142  
5,649,886 7/1997 Danylieko ..... 482/142  
5,769,767 6/1998 Hochberg et al. .... 482/142

*Primary Examiner*—Philip S. Hyder  
*Attorney, Agent, or Firm*—Dennis G. LaPointe; Mason &  
Associates

[57] **CLAIM**

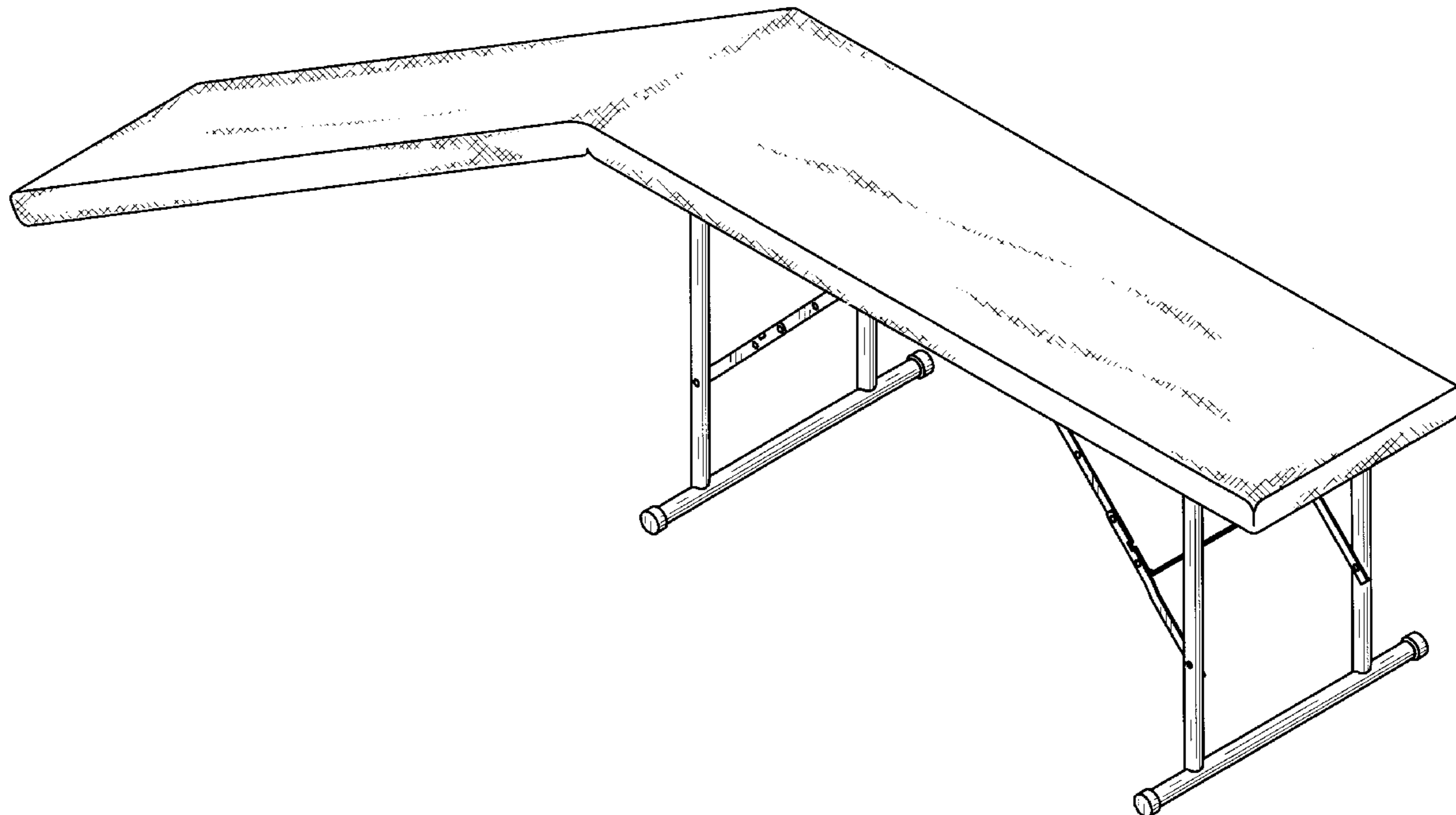
I claim the ornamental design for relaxer bench, as shown.

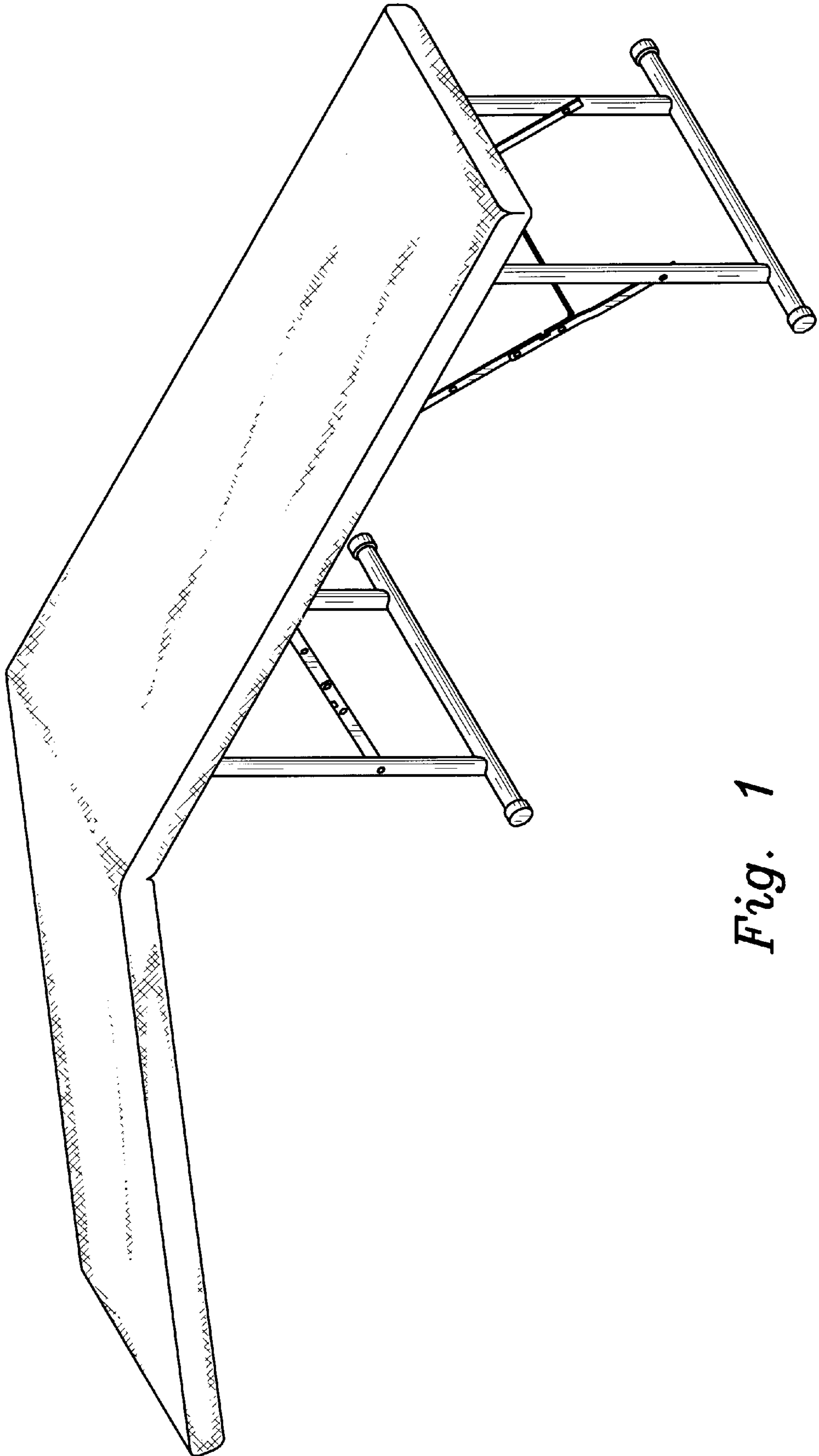
**DESCRIPTION**

FIG. 1 is a perspective view of a relaxer bench, showing my new design, wherein the extended portion is in a lowered position;  
FIG. 2 is a perspective view of the relaxer bench, wherein the extended portion is in a raised position, the broken line structure being shown for illustrative purposes only and forming no part of the claimed design;  
FIG. 3 is a left side elevational view of the design of FIG. 1;  
FIG. 4 is a right side elevational view thereof;  
FIG. 5 is a front elevational view thereof;  
FIG. 6 is a rear elevational view thereof;  
FIG. 7 is a plan view thereof; and,  
FIG. 8 is a bottom view thereof.

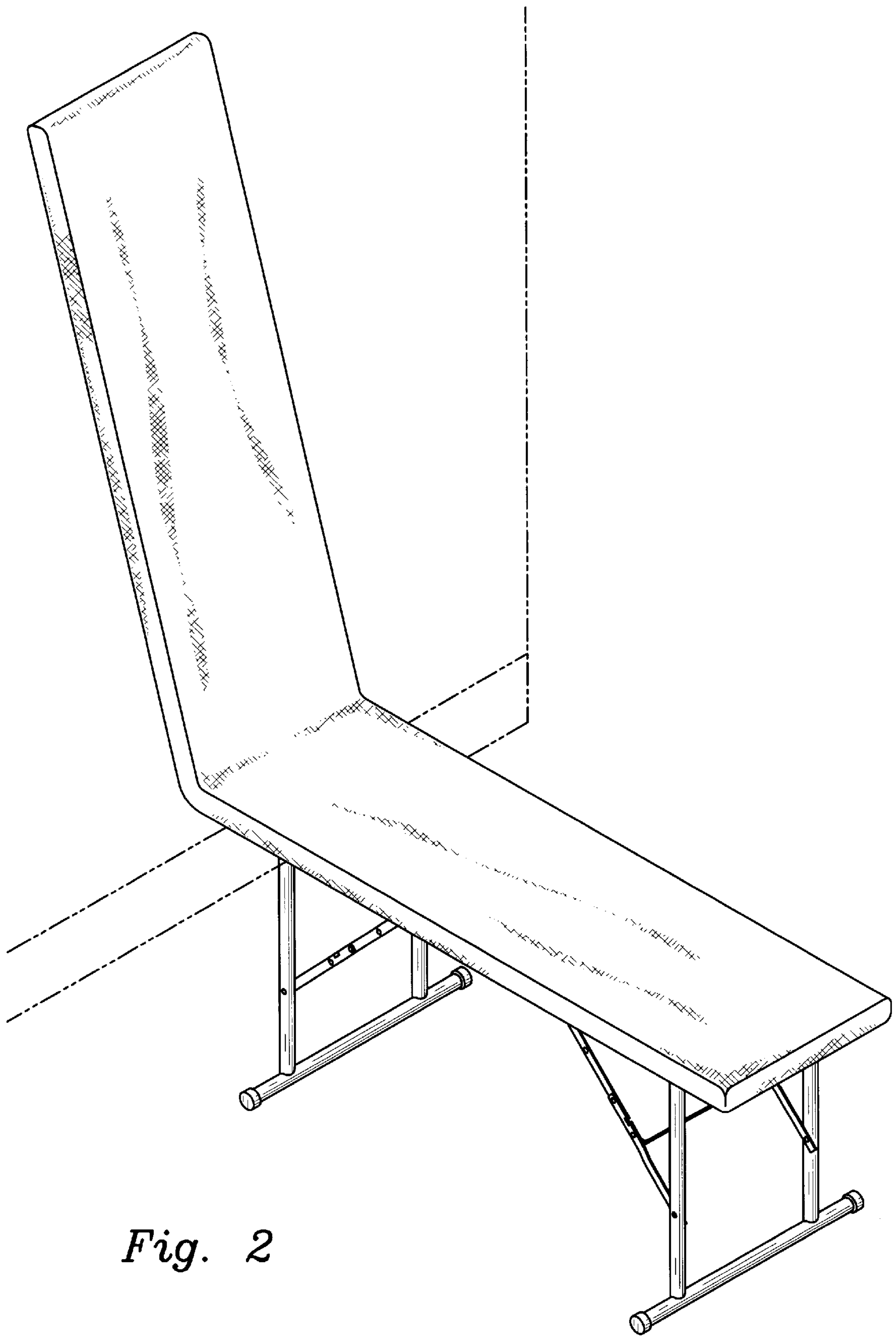
[56] **References Cited**  
U.S. PATENT DOCUMENTS  
D. 252,237 7/1979 Demaio ..... D21/690  
D. 258,975 4/1981 Irvine ..... D21/91  
D. 335,036 4/1993 Simmons ..... D6/361  
D. 360,663 7/1995 Rouillard et al. .... D21/690  
D. 375,849 11/1996 Conrad ..... D6/382  
1,539,214 5/1925 Shockey .  
3,005,633 10/1961 Riemer ..... 272/58  
3,043,591 7/1962 Sellner ..... 482/142  
3,136,269 6/1964 McDonald ..... D6/382  
3,290,090 12/1966 Ford ..... 297/118  
3,315,667 4/1967 Yoder ..... 128/74  
3,589,715 6/1971 Mark ..... 272/58  
4,037,591 7/1977 Sarno ..... 128/33  
4,166,297 9/1979 Saleeby ..... 4/185  
4,960,277 10/1990 LaRossa et al. .... 272/123

**1 Claim, 5 Drawing Sheets**

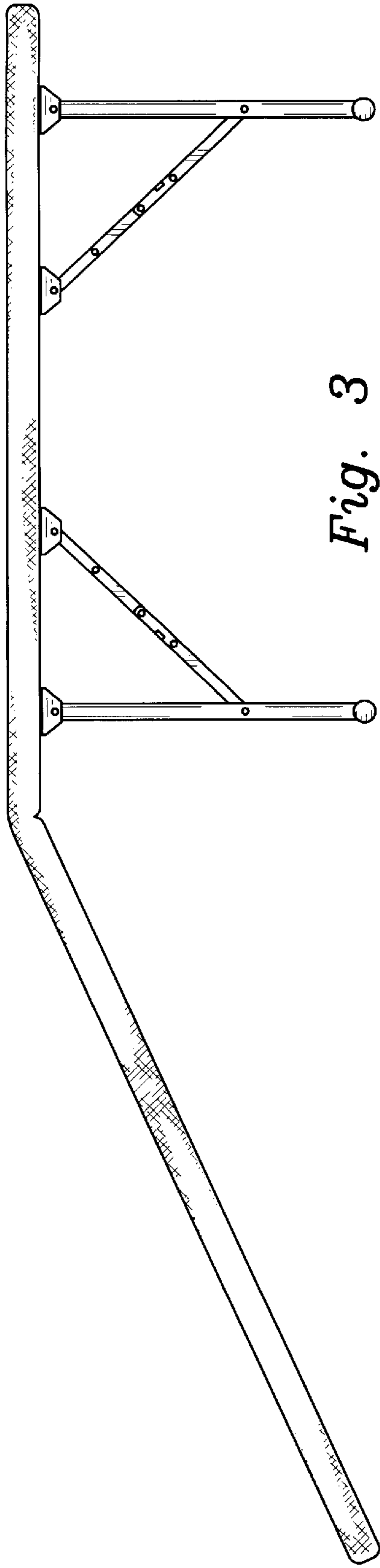




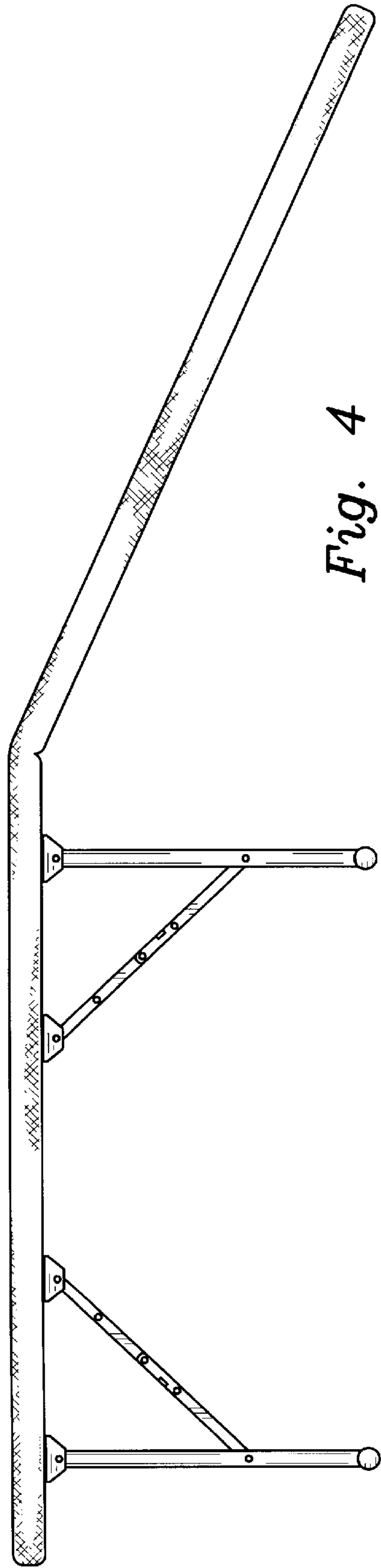
*Fig. 1*



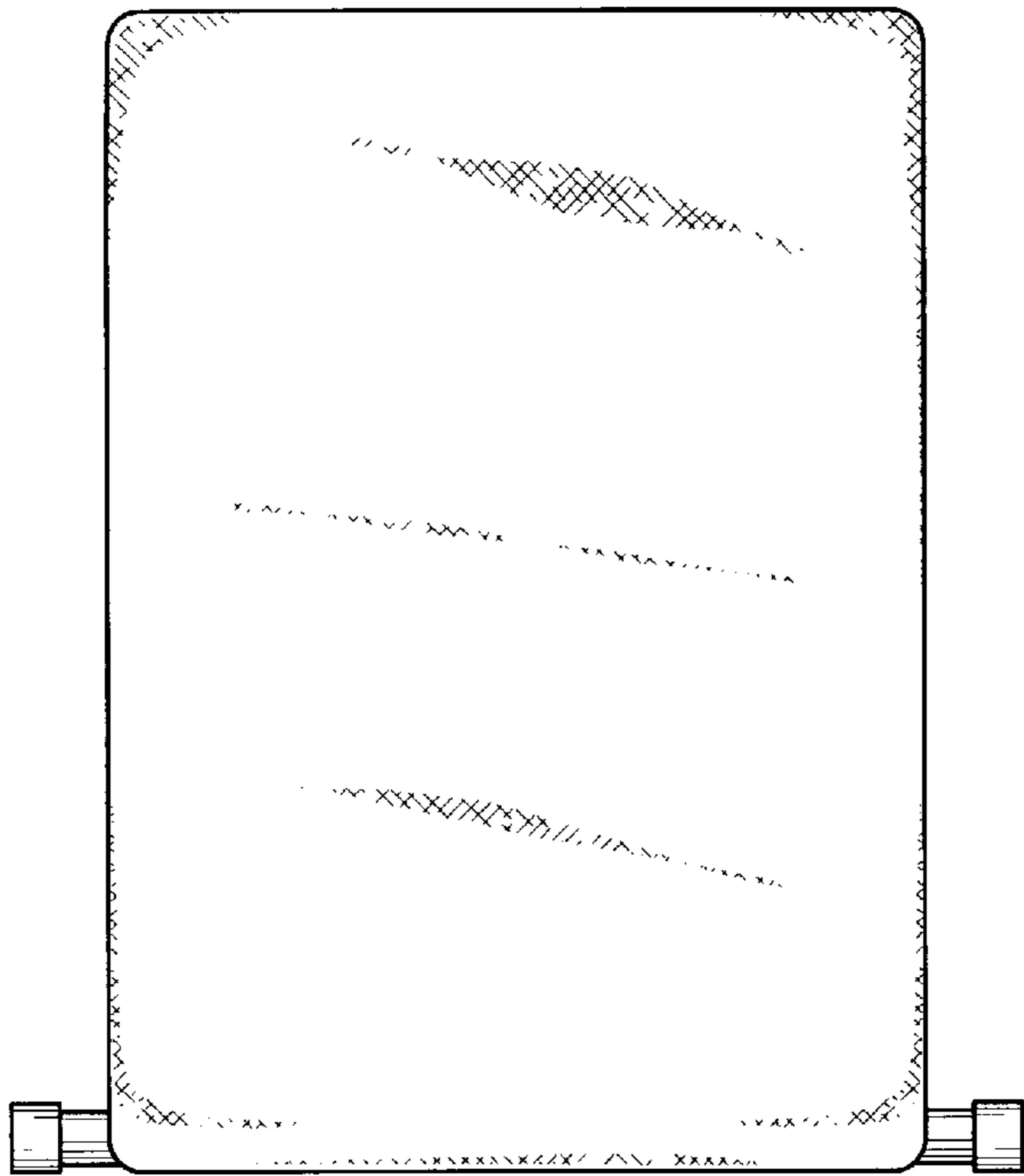
*Fig. 2*



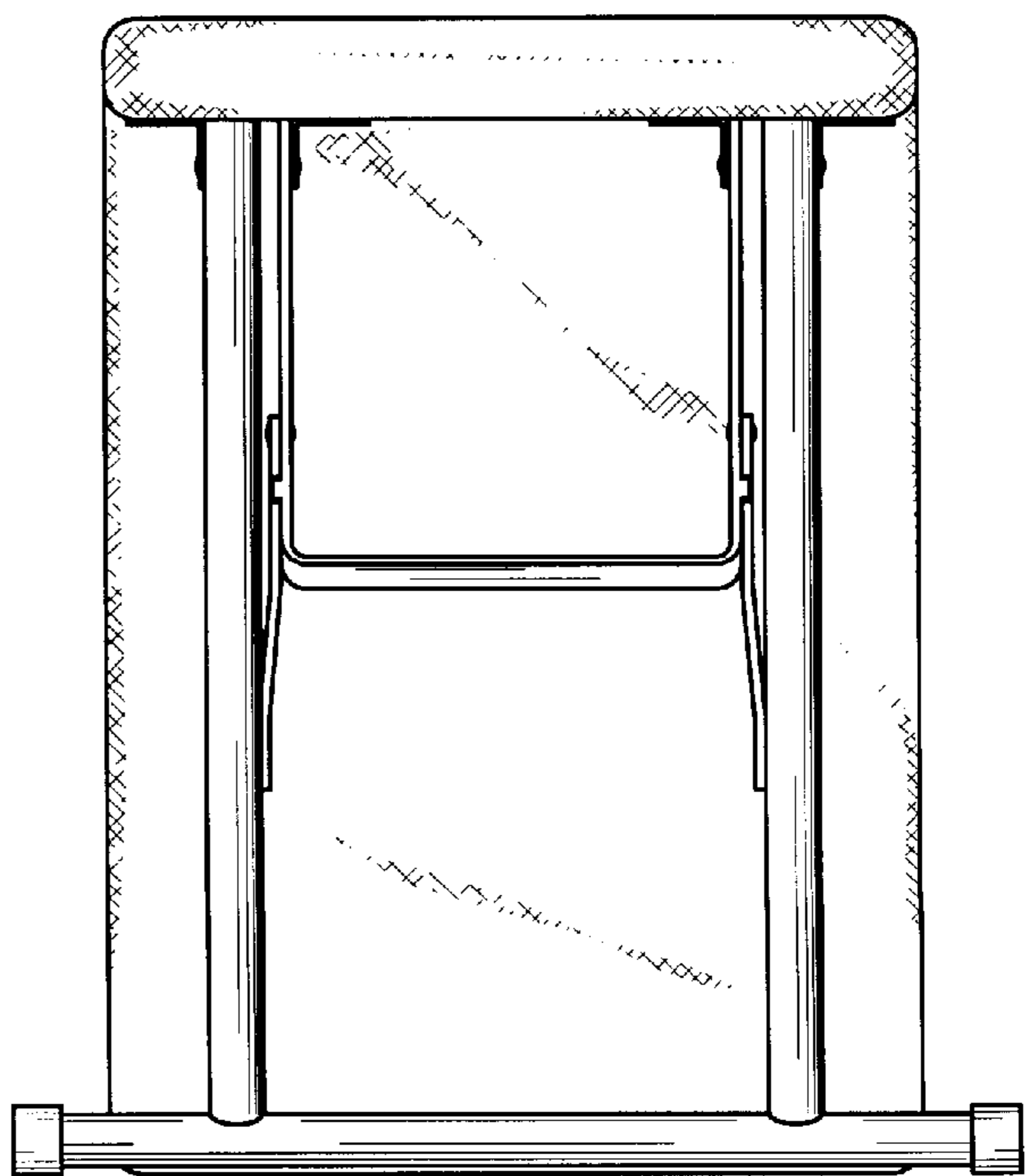
*Fig. 3*



*Fig. 4*

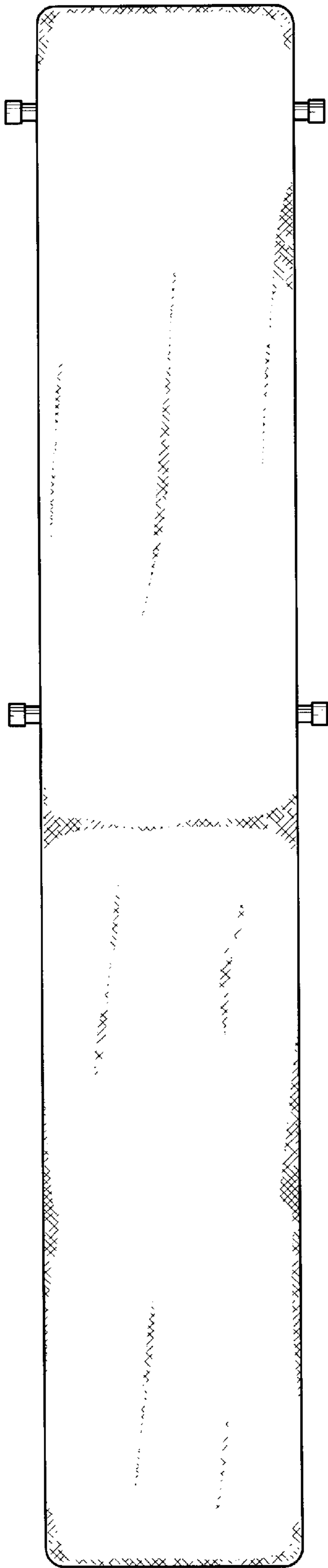


*Fig. 5*

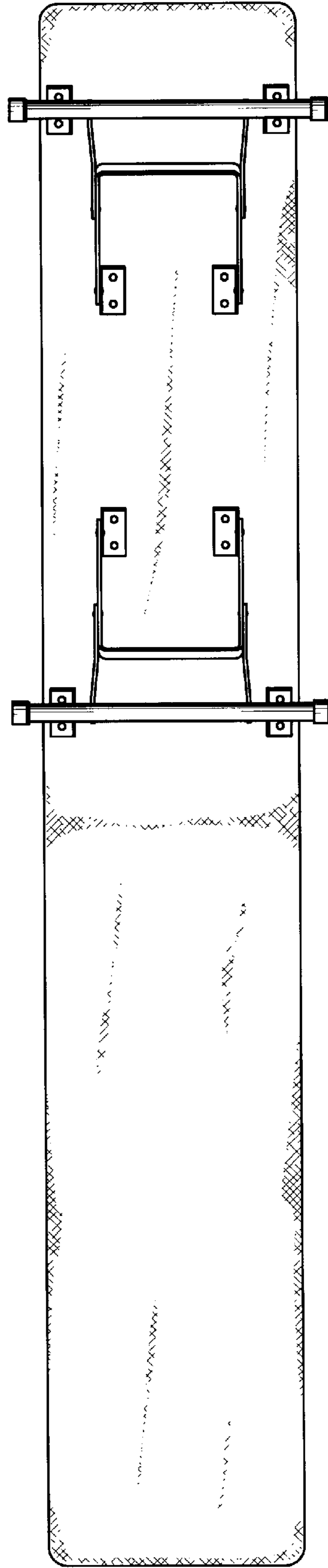


*Fig. 6*





*Fig. 7*



*Fig. 8*