



US00D416594S

United States Patent [19] Sardina

[11] **Patent Number: Des. 416,594**

[45] **Date of Patent: ** Nov. 16, 1999**

[54] **FINGER EXERCISER**

[76] Inventor: **Harrison Sardina**, 12230 Old White Horse Rd., Travelers Rest, S.C. 29690

[**] Term: **14 Years**

[21] Appl. No.: **29/089,512**

[22] Filed: **Jun. 17, 1998**

[51] **LOC (6) Cl. 21-02**

[52] **U.S. Cl. D21/684**

[58] **Field of Search** D21/662, 684, D21/692; 482/44, 47, 48, 121, 122

[56] **References Cited**

U.S. PATENT DOCUMENTS

D. 335,299	5/1993	Guidry	D21/684
1,256,004	2/1918	Finney	.	
2,546,118	3/1951	Wright	482/48
3,533,405	10/1970	Collins	.	
3,612,521	10/1971	Wendeborn	482/48
4,828,249	5/1989	Keating	482/48
5,062,625	11/1991	Vonk	482/48
5,136,911	8/1992	Wyss	482/48
5,366,436	11/1994	Gibney	482/47
5,492,525	2/1996	Gibney	482/48

Primary Examiner—Philip S. Hyder
Attorney, Agent, or Firm—Leatherwood Walker Todd & Mann, P.C.

[57] **CLAIM**

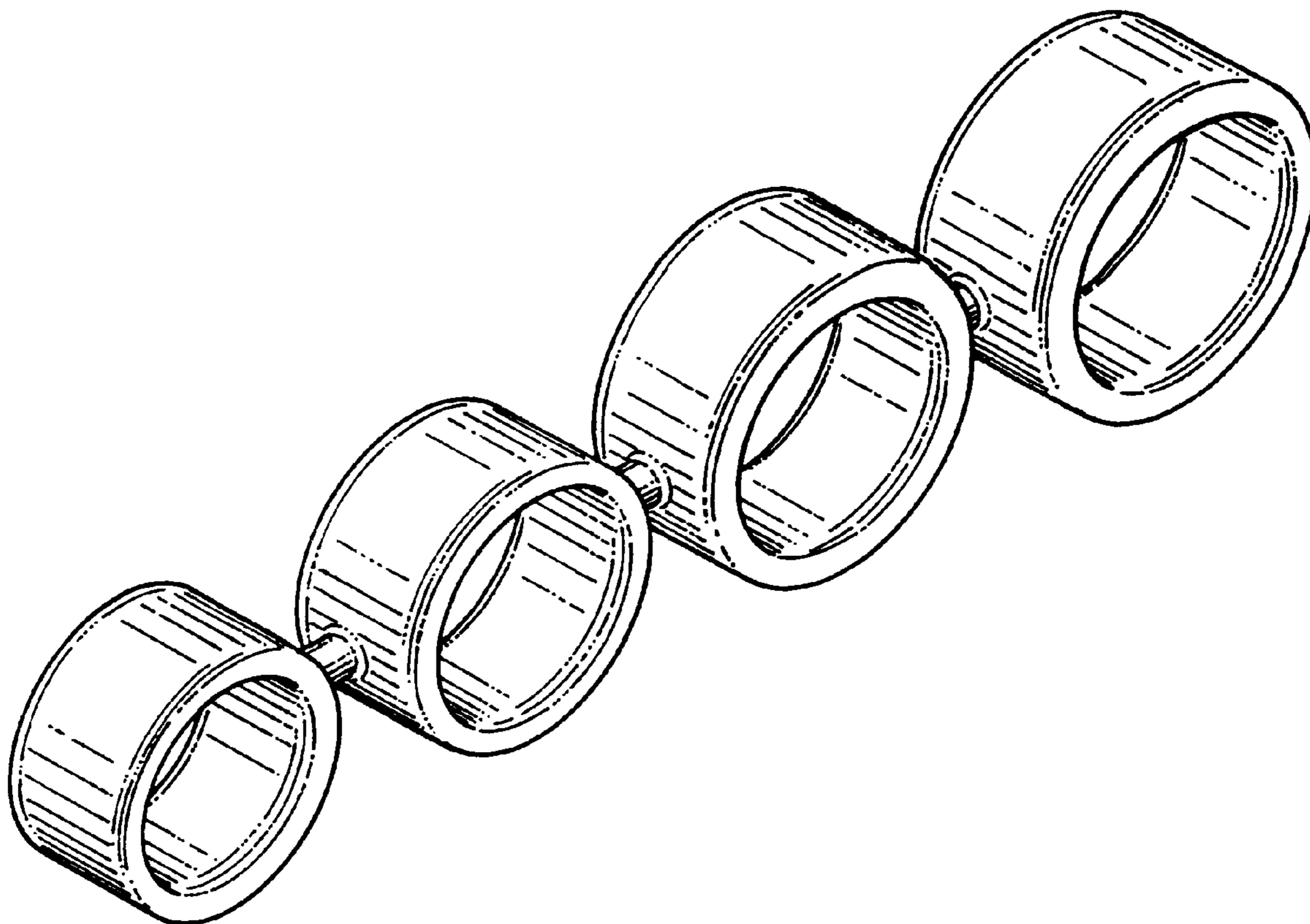
The ornamental design for a finger exerciser, as shown and described.

DESCRIPTION

FIG. 1 is a perspective view of a finger exerciser showing my new design;
FIG. 2 is a front elevational view thereof;
FIG. 3 is a bottom plan view thereof;
FIG. 4 is a top plan view thereof;
FIG. 5 is a rear elevational view thereof;
FIG. 6 is a right side elevational view thereof;
FIG. 7 is a left side elevational view thereof;
FIG. 8 is a perspective view of an alternate embodiment of a finger exerciser in accordance with my new design; and, FIG. 9 is a front elevational view of the embodiment illustrated in FIGS. 1 through 7.

The broken lines of the hand and guitar neck in FIG. 9 are for illustrative purposes only and form no part of the claimed design.

1 Claim, 4 Drawing Sheets



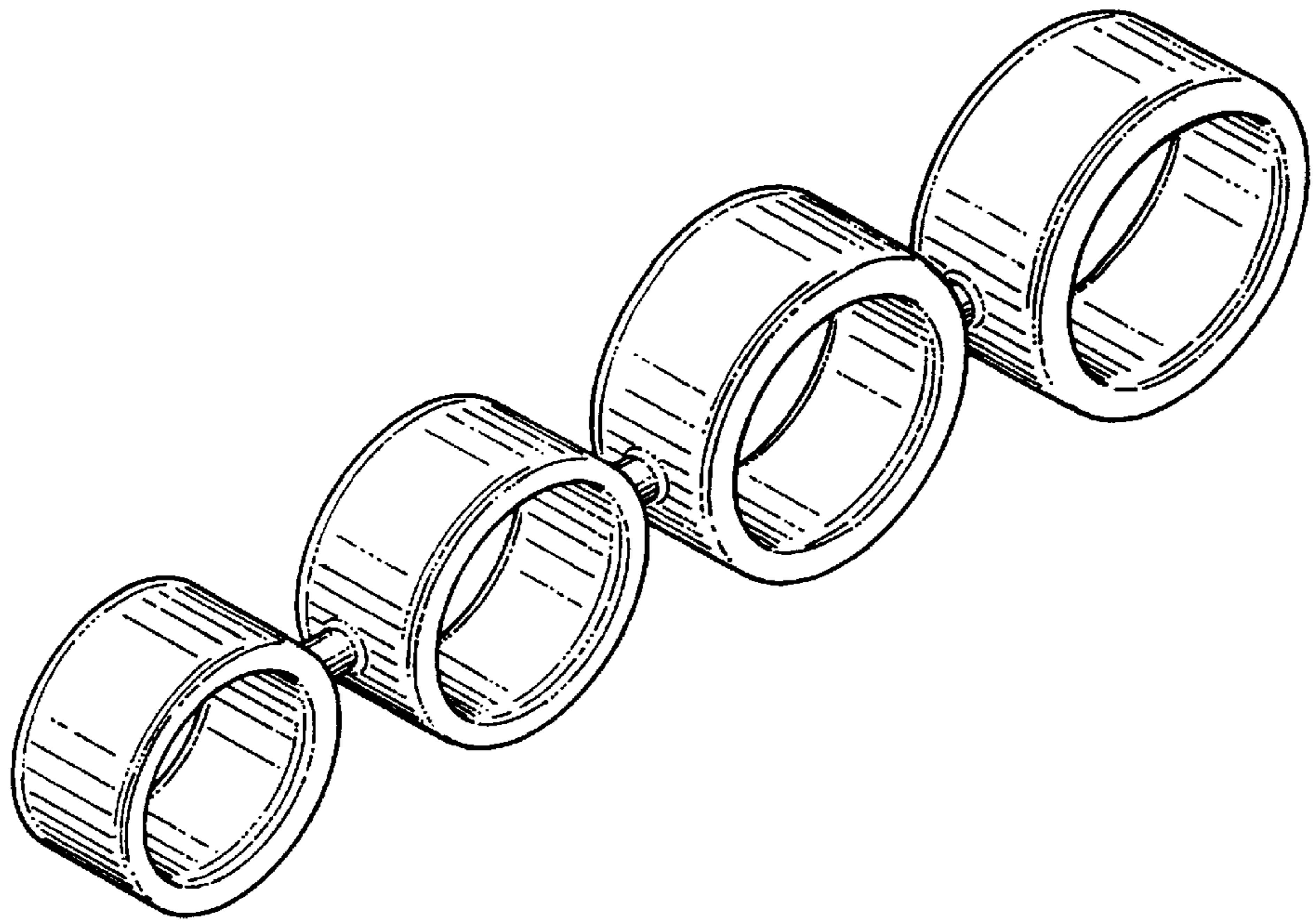


Fig. 1

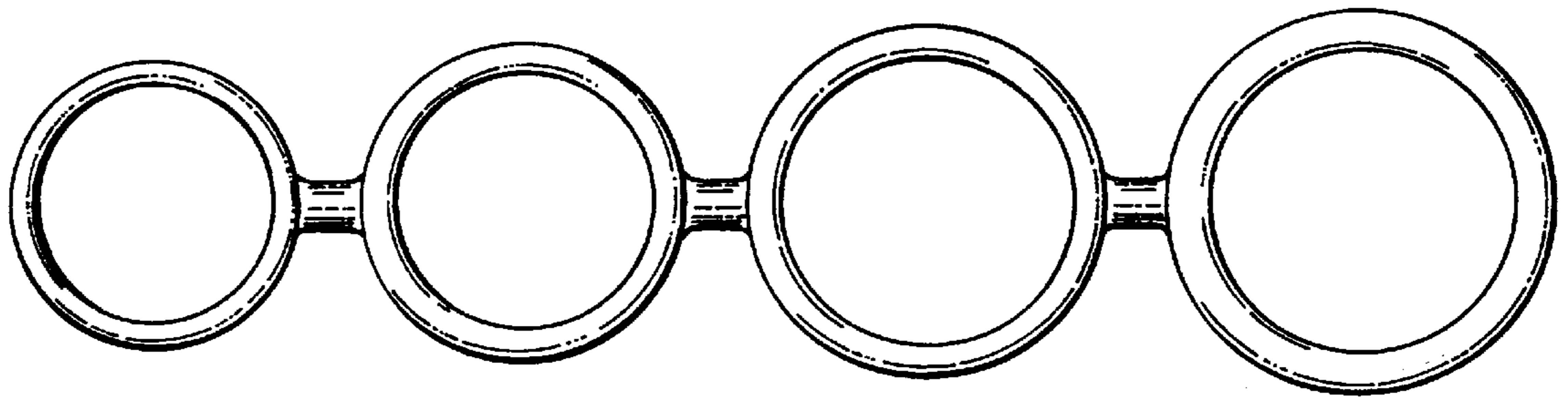


Fig. 2

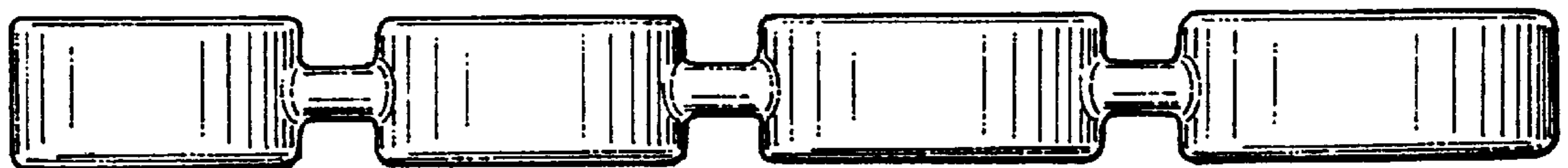


Fig. 3

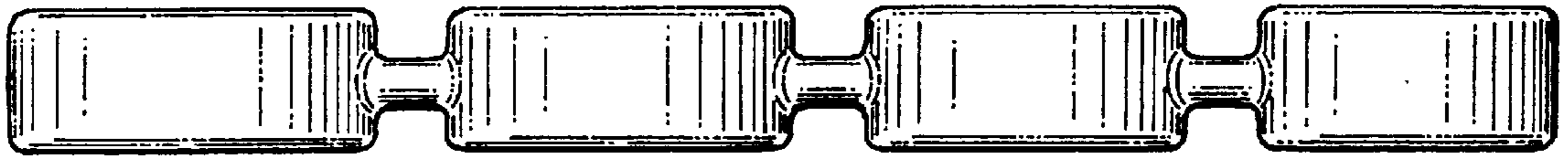


Fig. 4

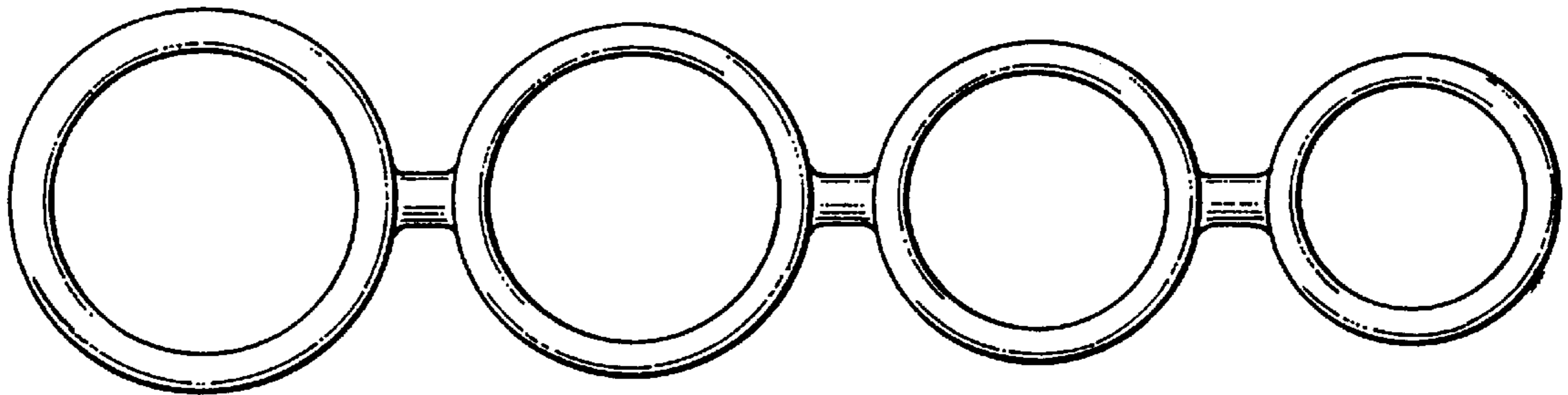


Fig. 5



Fig. 6

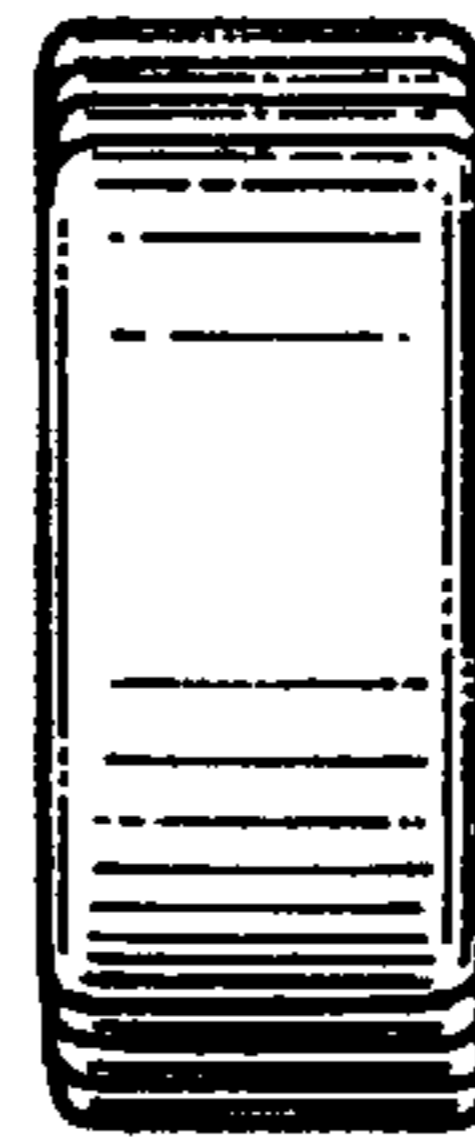


Fig. 7

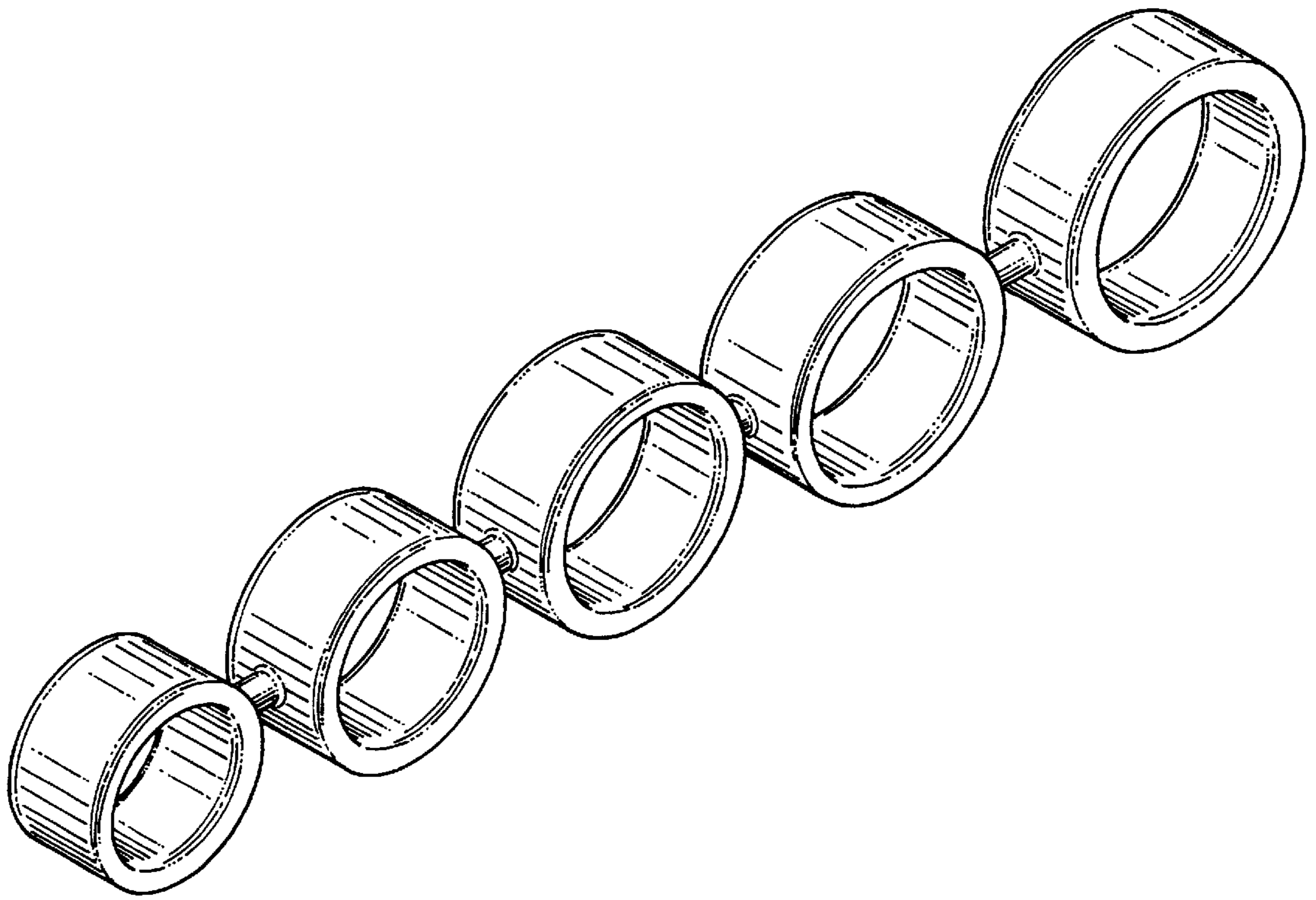
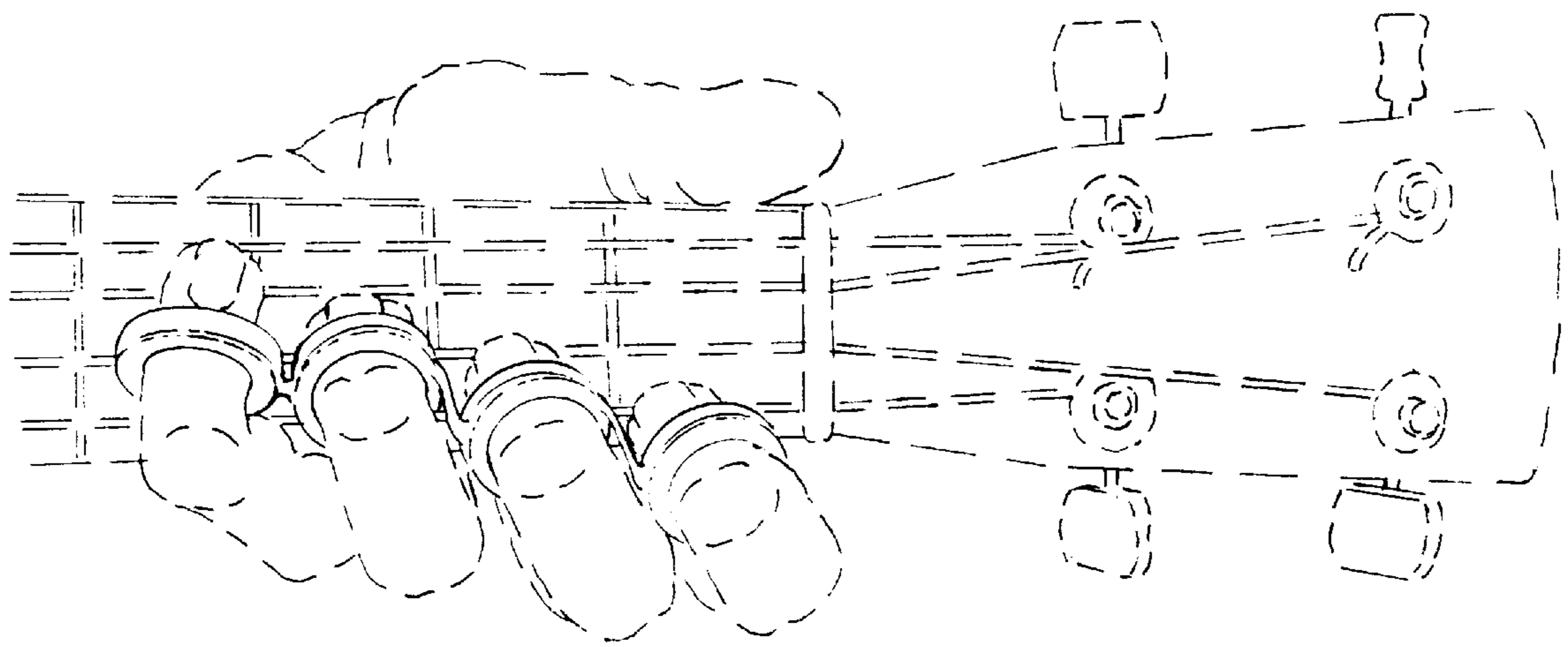


Fig. 8



9. 9. 9. 9.