



US00D416591S

United States Patent [19]
Frederiksen

[11] **Patent Number: Des. 416,591**

[45] **Date of Patent: ** Nov. 16, 1999**

[54] **TOY BUG**

[75] **Inventor: Søren Frederiksen, Copenhagen, Denmark**

[73] **Assignee: INTERLEGO AG, Baar, Switzerland**

[*] **Notice:** This patent is subject to a terminal disclaimer.

[**] **Term: 14 Years**

[21] **Appl. No.: 29/095,022**

[22] **Filed: Oct. 14, 1998**

[51] **LOC (6) Cl. 21-01**

[52] **U.S. Cl. D21/493; D21/503**

[58] **Field of Search D21/483-505, D21/428, 650; 446/120, 121, 124-125, 128, 313**

[56] **References Cited**

U.S. PATENT DOCUMENTS

D. 180,717 7/1957 Jones D21/650

D. 214,801 7/1969 Adolph D21/503
D. 226,614 4/1973 Stauffer D21/650
D. 228,400 9/1973 Novak, Jr. D21/428
D. 257,375 10/1980 Nottingham D21/428
3,866,348 2/1975 Roby et al. 446/121

Primary Examiner—Raphael Barkai
Attorney, Agent, or Firm—Kane, Dalsimer, Sullivan, Kurucz, Levy, Eisele and Richard, LLP

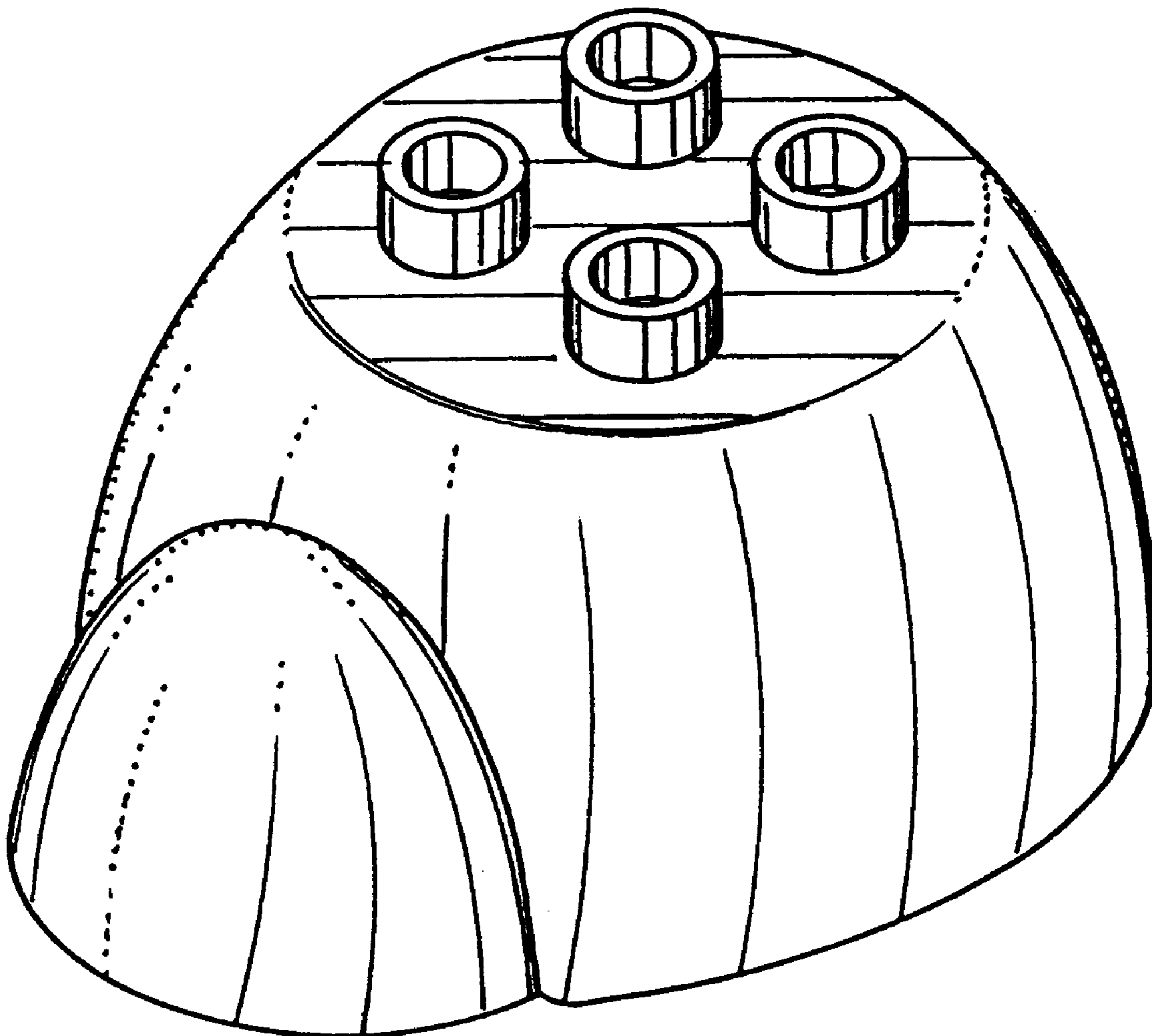
[57] **CLAIM**

The ornamental design for a toy bug, as shown and described.

DESCRIPTION

FIG. 1 is a top perspective view of the toy bug, FIG. 2 is a top plan view thereof, FIG. 3 is a front elevational view thereof, FIG. 4 is a bottom plan view thereof, FIG. 5 is a right side elevational view thereof, FIG. 6 is a left side elevational view thereof, FIG. 7 is rear elevational view thereof; and, FIG. 8 is a bottom perspective view thereof.

1 Claim, 3 Drawing Sheets



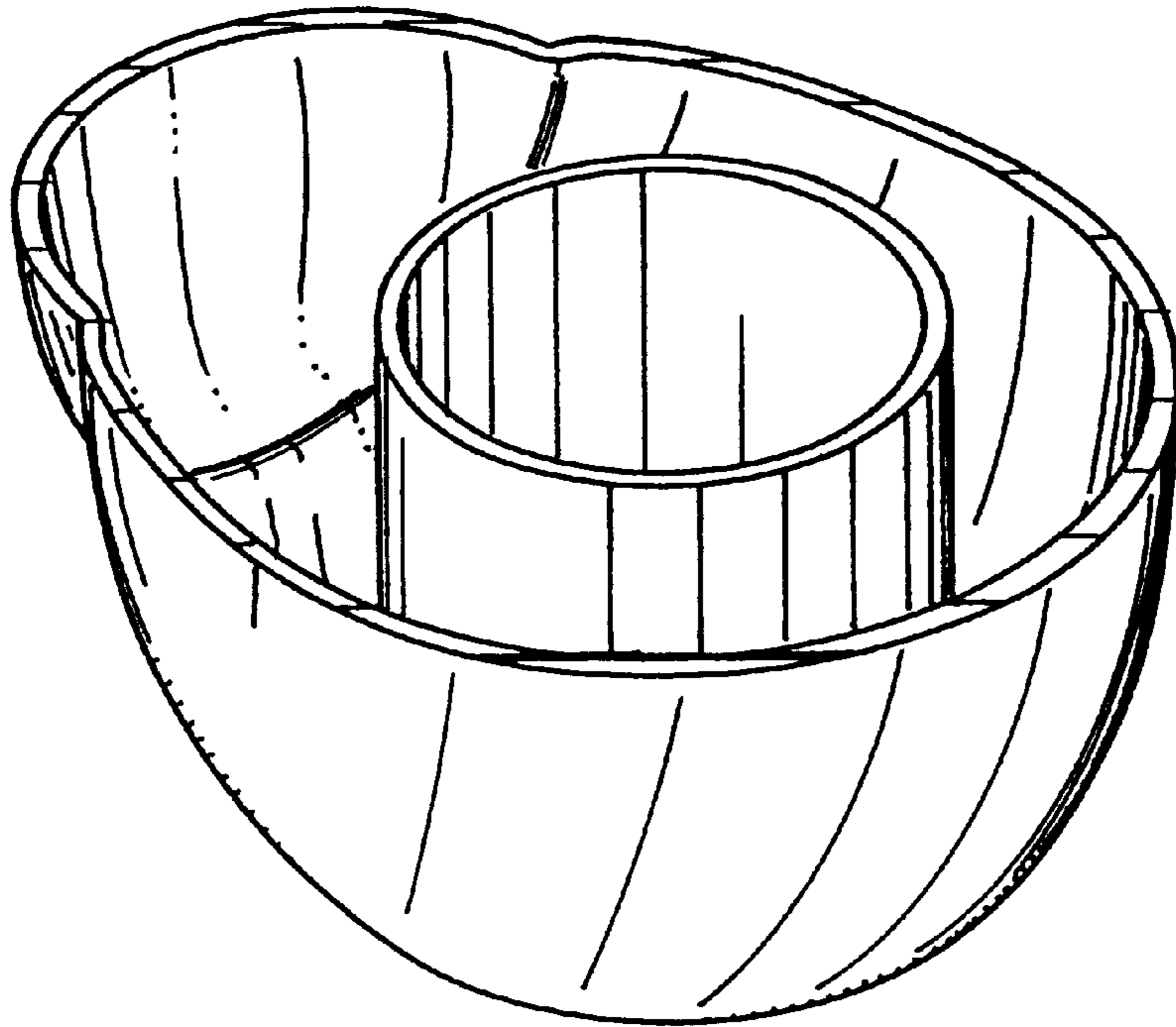


FIG. 8

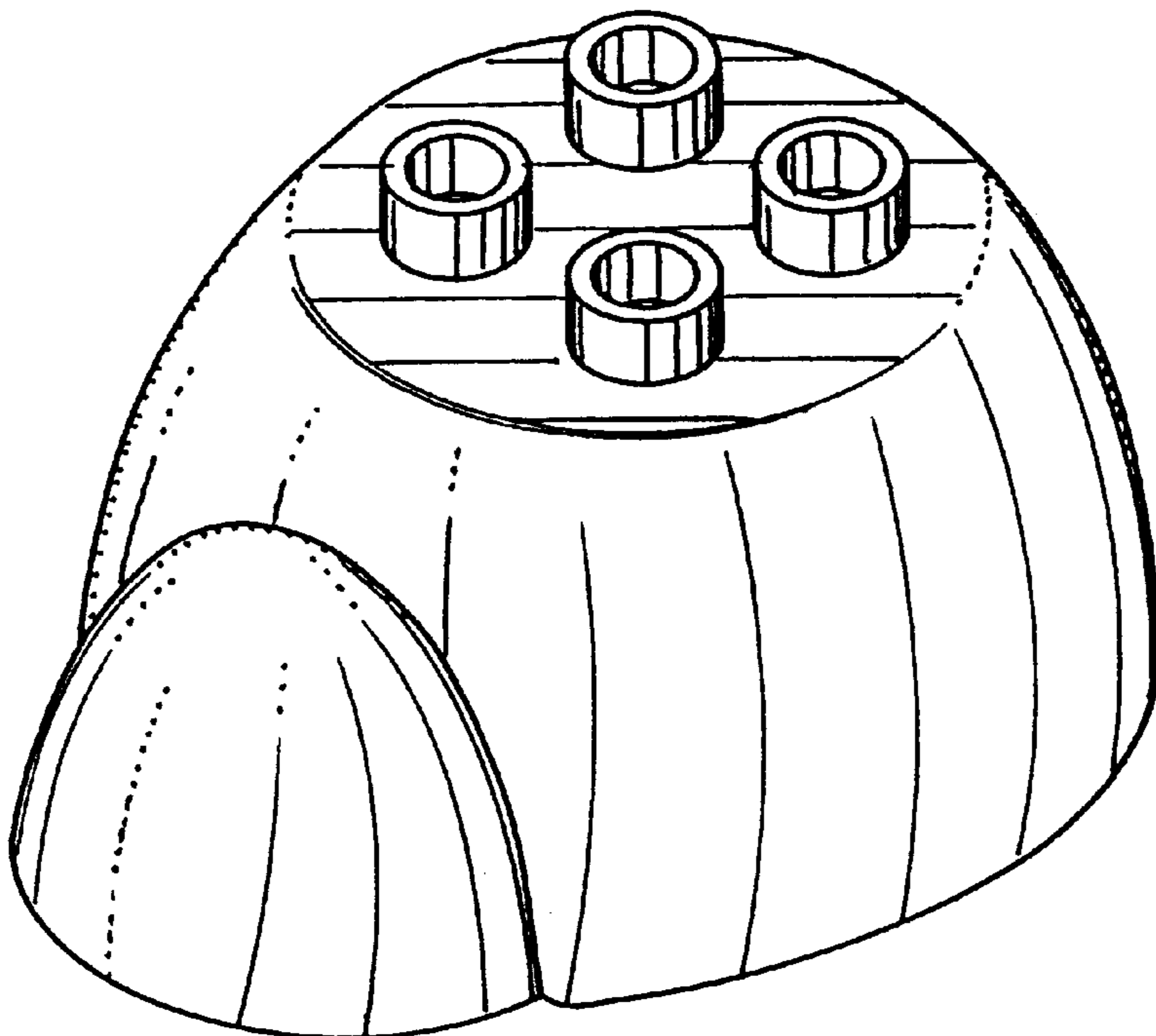


FIG. 1

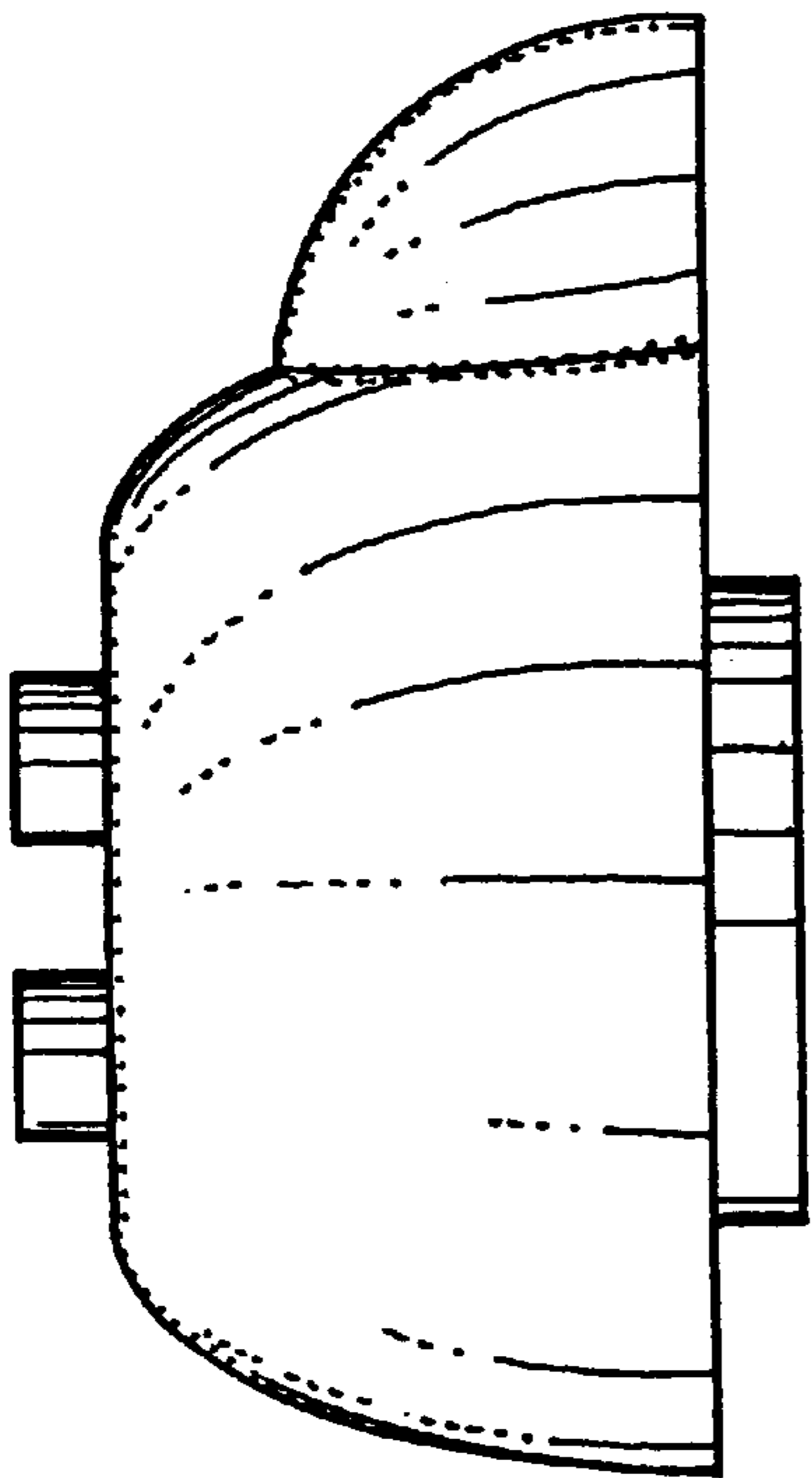


FIG. 5

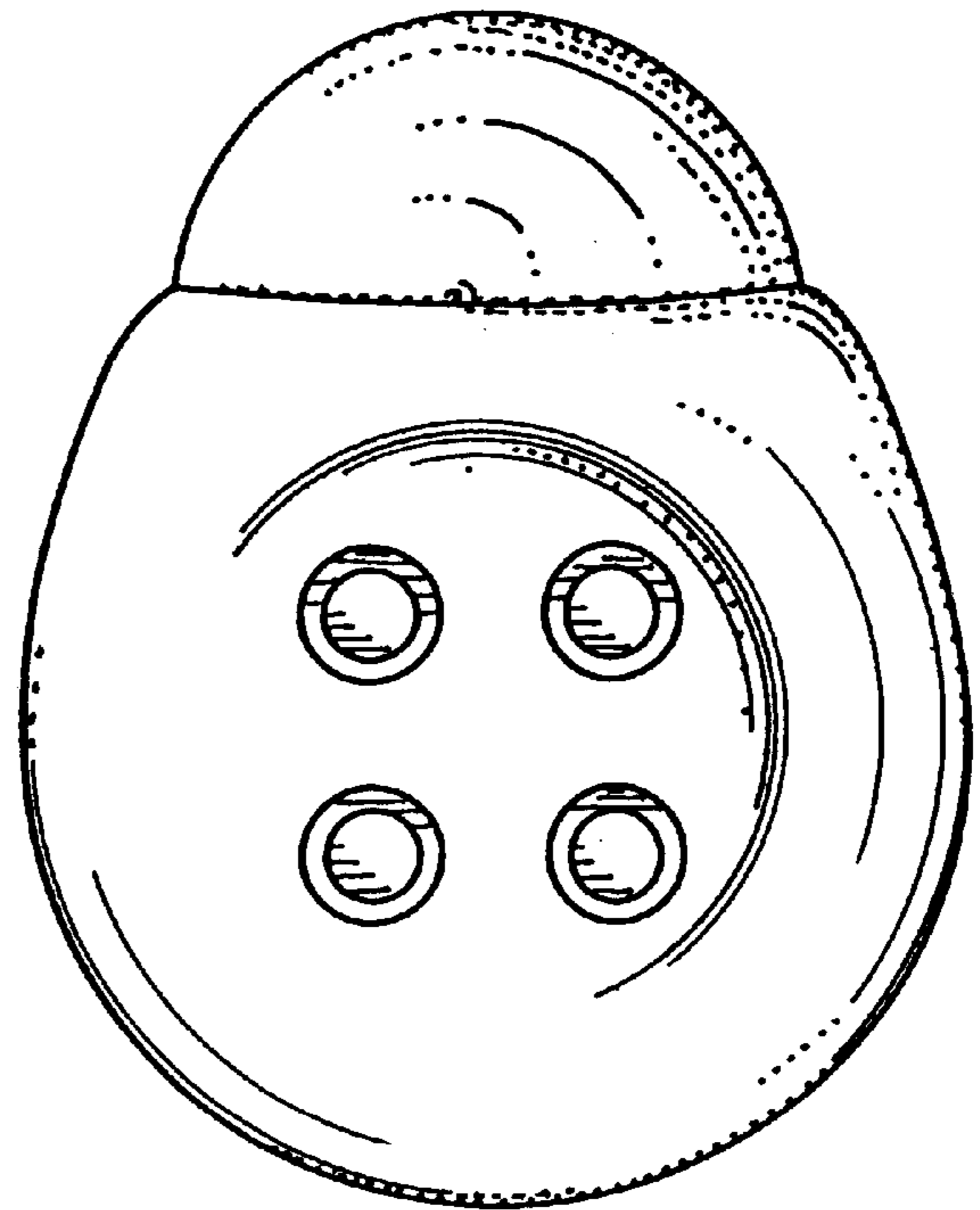


FIG. 2

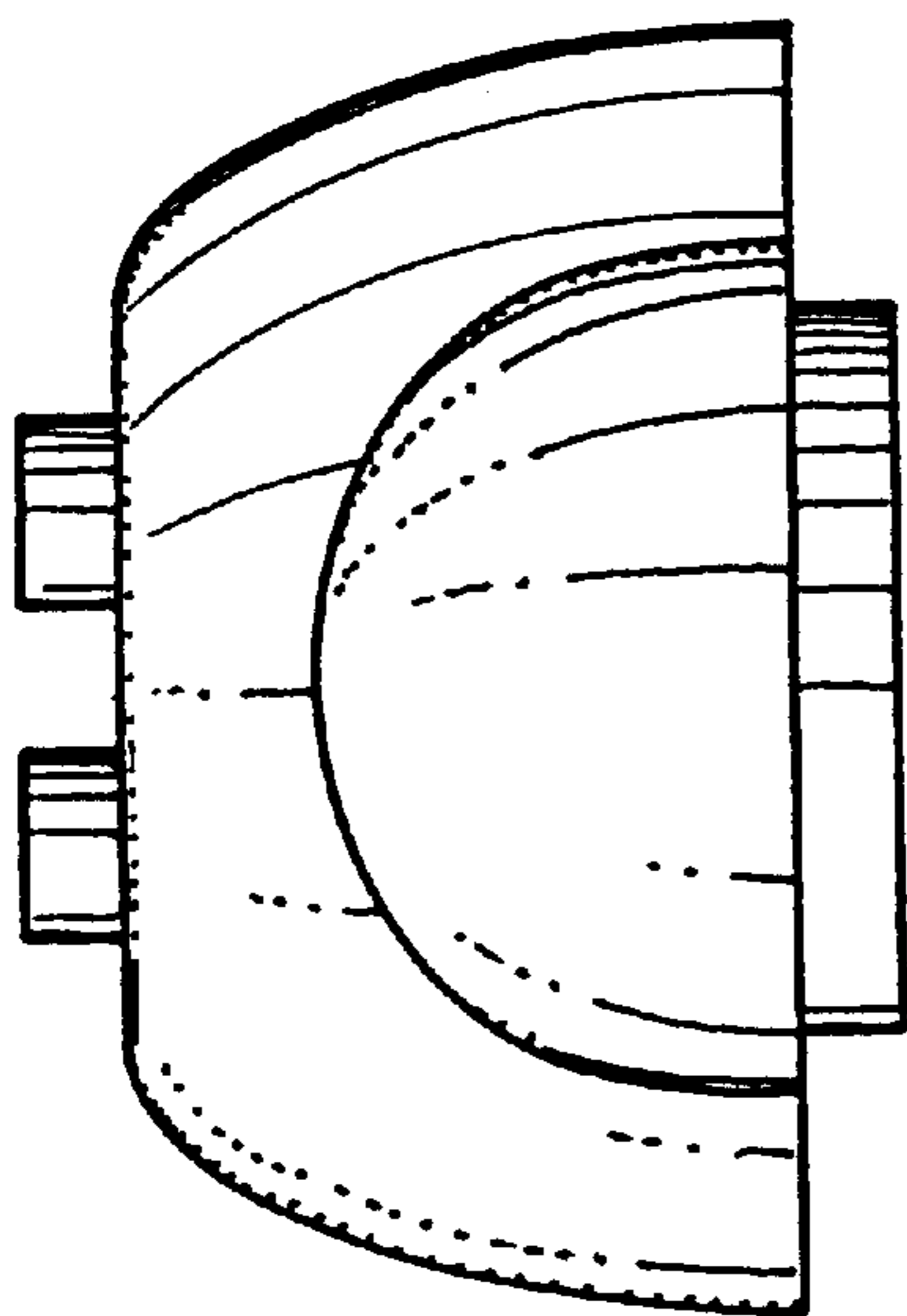


FIG. 3

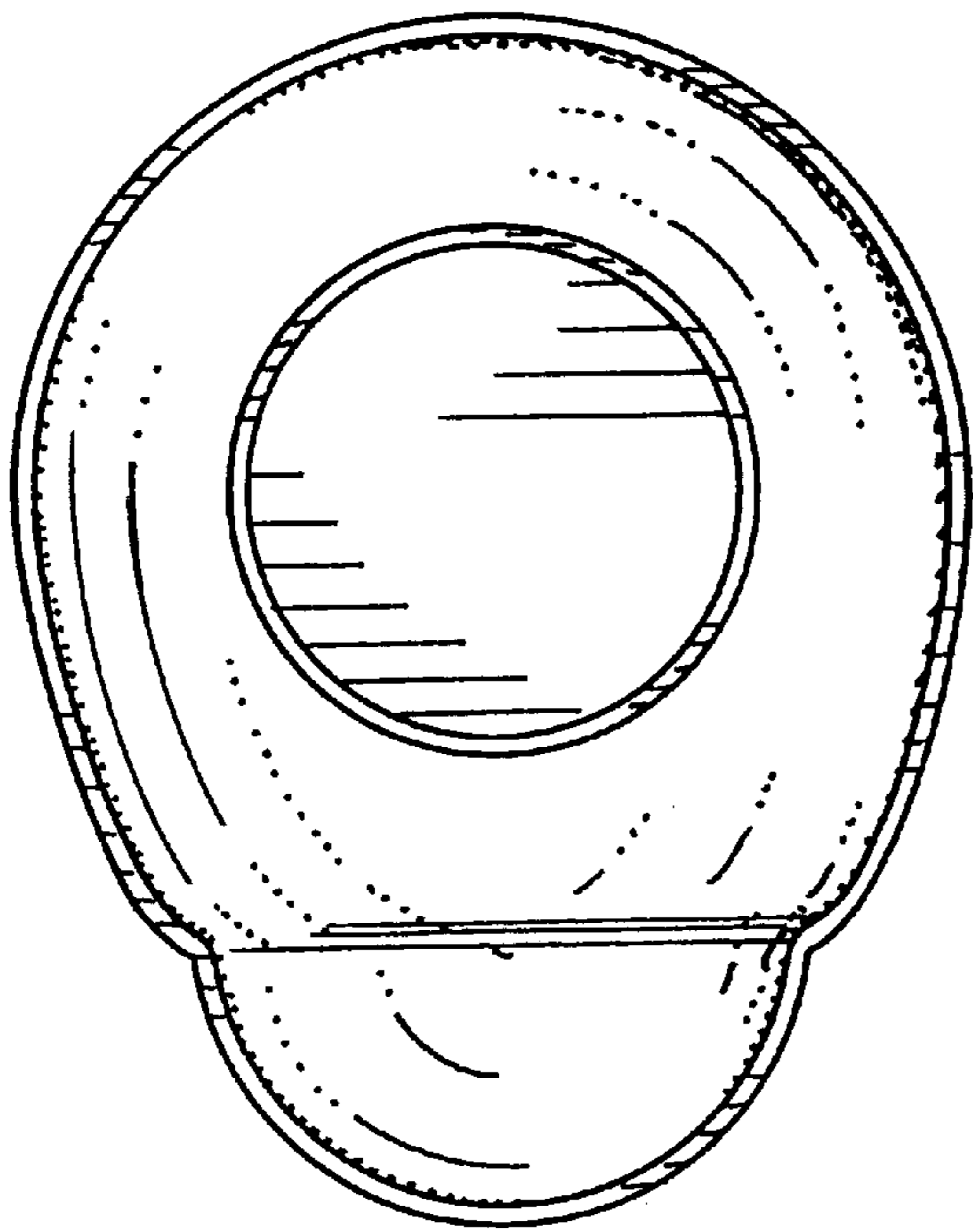


FIG. 4

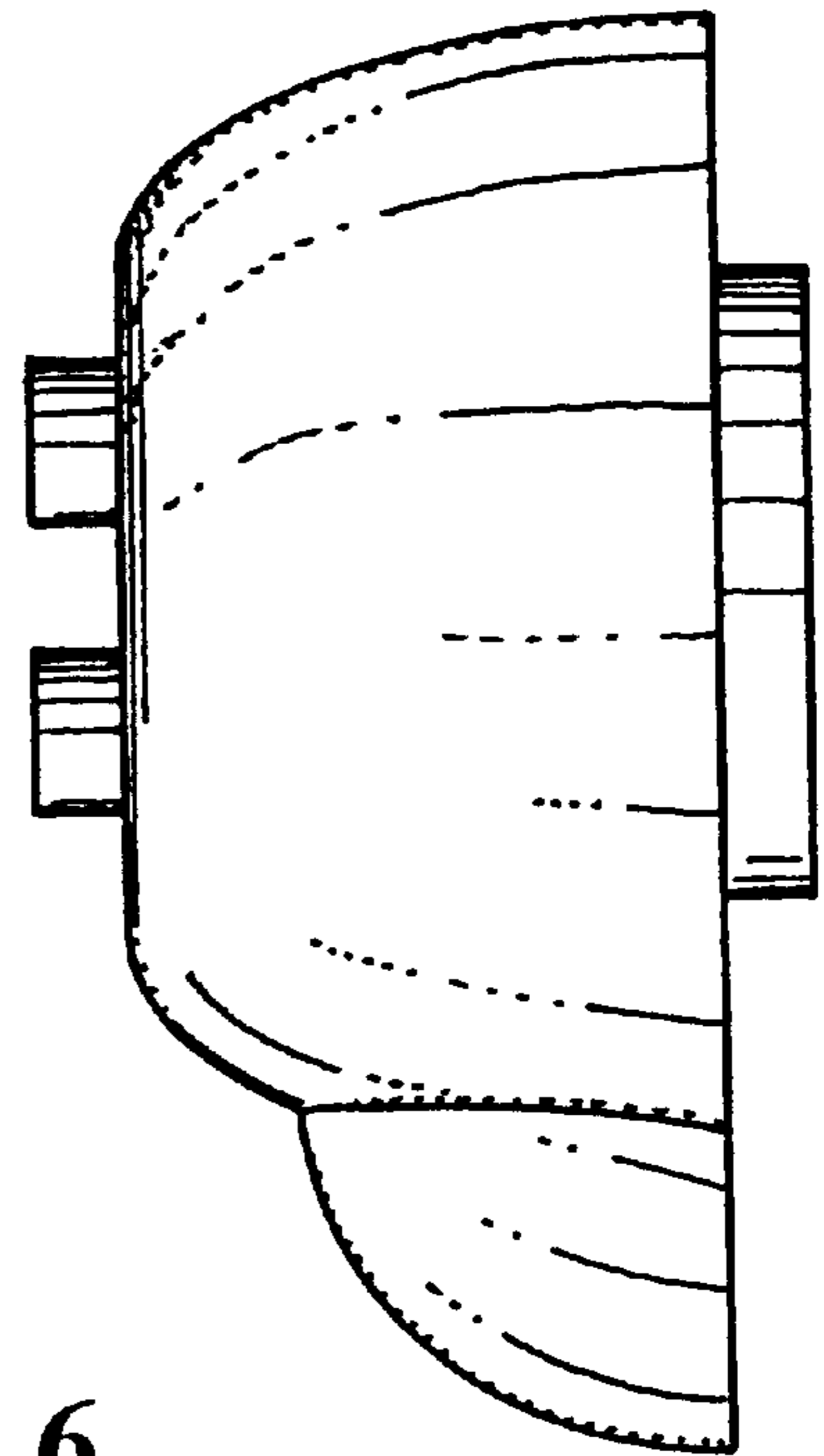


FIG. 6

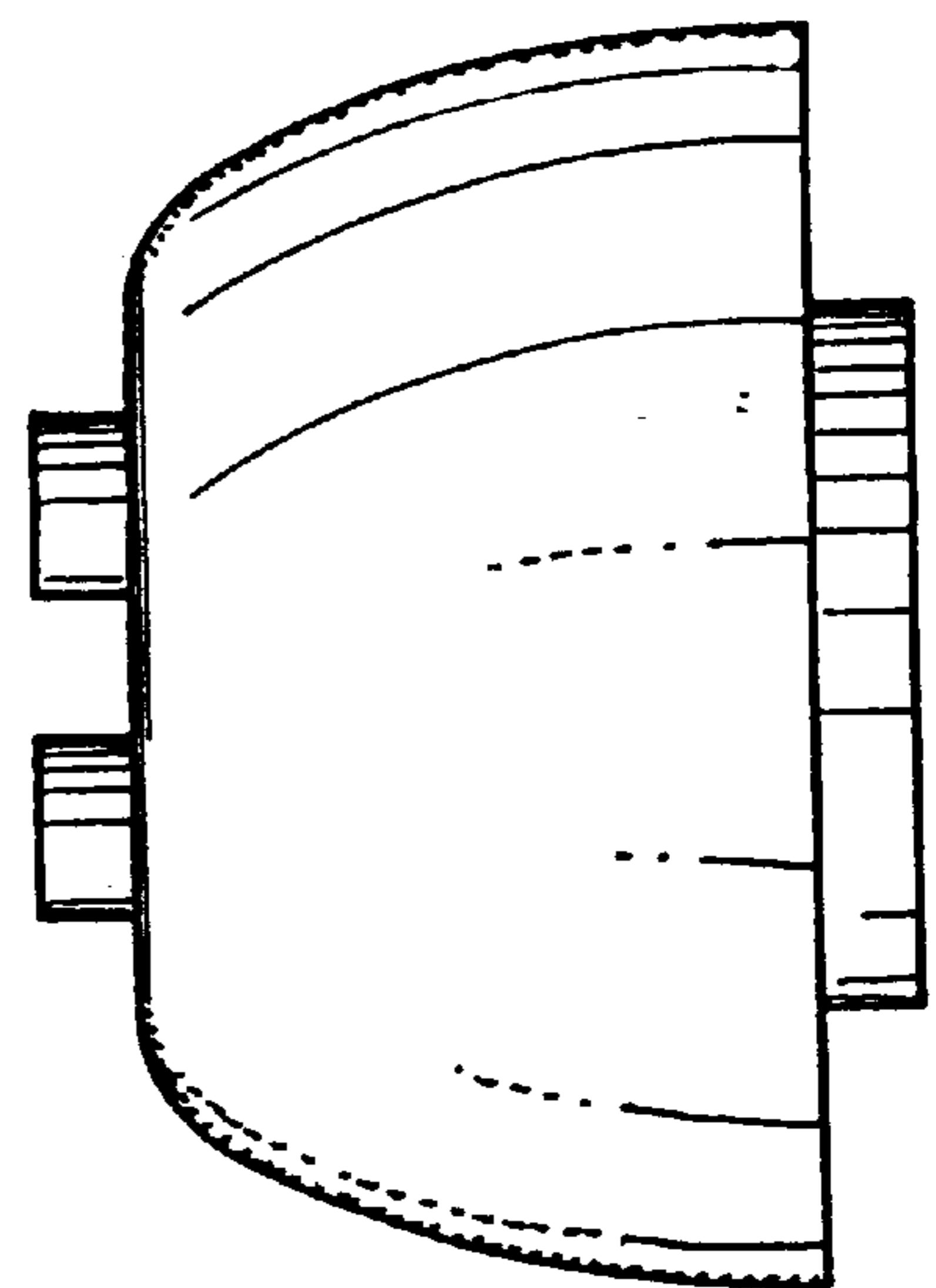


FIG. 7