



US00D416589S

# United States Patent [19]

Lindsay et al.

[11] **Patent Number: Des. 416,589**

[45] **Date of Patent: \*\* Nov. 16, 1999**

[54] **DISPLAY FOR A CASINO GAME**

D. 360,846 8/1995 Kallionpaa ..... D10/114  
D. 395,678 6/1998 Treille ..... D20/41

[75] Inventors: **Jeffrey Paul Lindsay**, Hadley Wood;  
**George Melas**, London, both of United Kingdom

*Primary Examiner*—Sandra L. Morris  
*Attorney, Agent, or Firm*—Quirk & Tratos

[73] Assignee: **John Huxley Ltd.**, United Kingdom

[57] **CLAIM**

[\*\*] Term: **14 Years**

The ornamental design for a display for a casino game, as shown and described.

[21] Appl. No.: **29/094,398**

[22] Filed: **Oct. 1, 1998**

### DESCRIPTION

[51] **LOC (6) Cl.** ..... **21-03**

FIG. 1 is a front perspective view of the display for a casino game;

[52] **U.S. Cl.** ..... **D21/367; D21/385; D20/41**

FIG. 2 is a front view of the display for a casino game;

[58] **Field of Search** ..... D20/12, 41; D21/329, D21/332, 369-371, 385; 273/138.1, 139, 142 R, 143 R, 145 A, 292; 463/11, 13, 20, 29-35; 40/446, 447, 448, 451, 607

FIG. 3 is a side view of the display for a casino game;

FIG. 4 is a rear view of the display for a casino game; and,

FIG. 5 is a top plan view thereof.

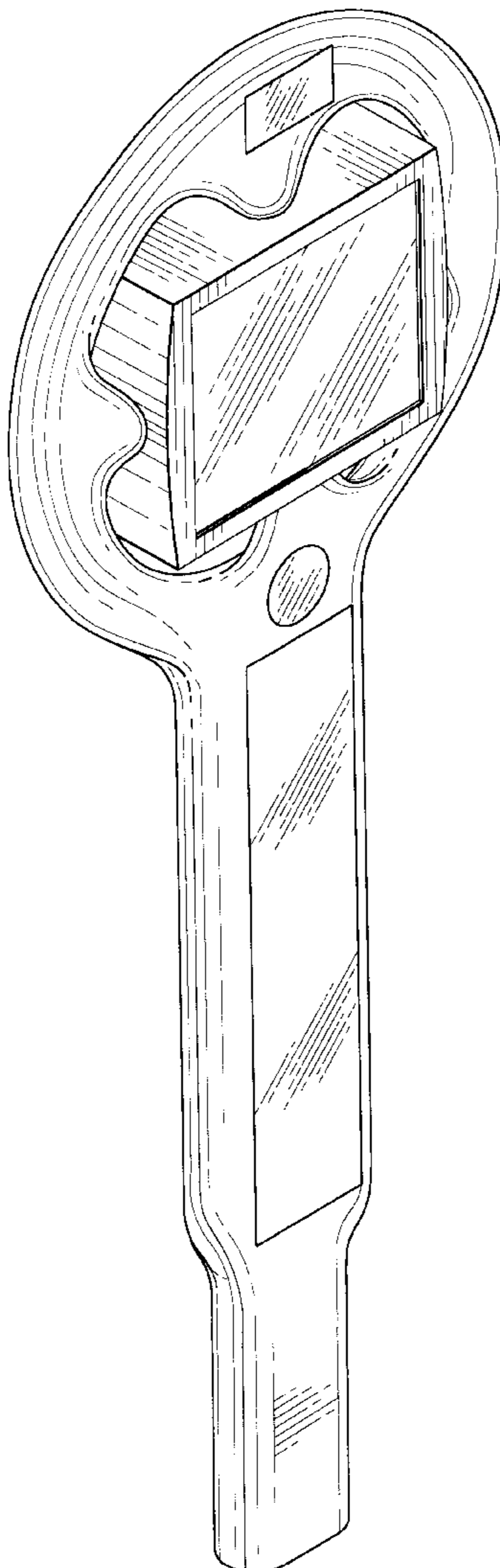
FIGS. 2-5 are shown on an enlarged scale.

[56] **References Cited**

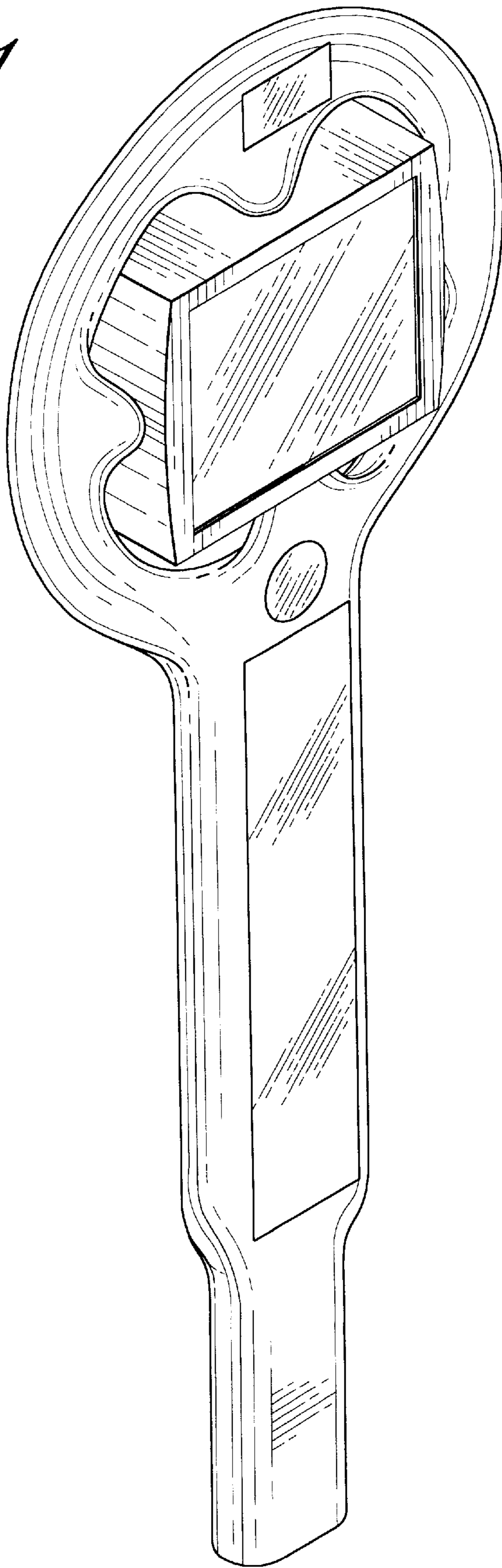
#### U.S. PATENT DOCUMENTS

D. 263,972 4/1982 Pasker ..... D20/41

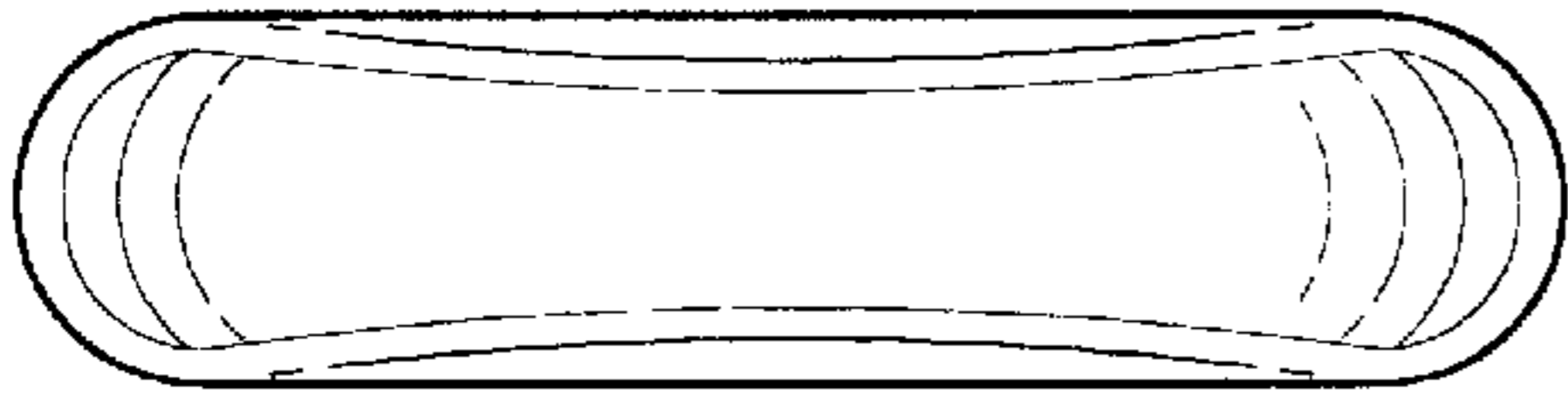
**1 Claim, 2 Drawing Sheets**



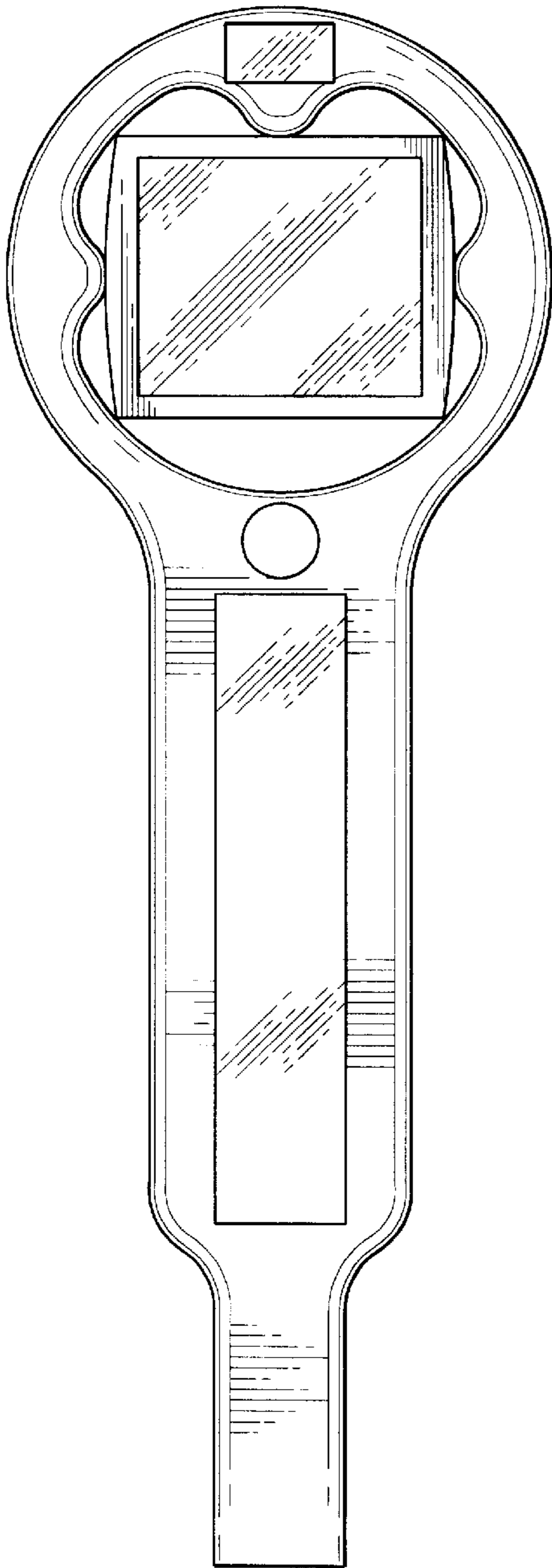
*FIG. 1*



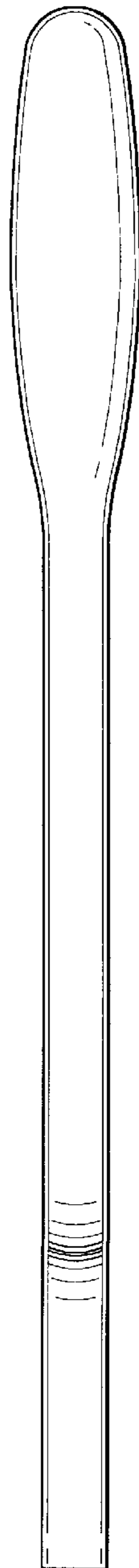
*FIG. 5*



*FIG. 2*



*FIG. 3*



*FIG. 4*

