



US00D416587S

United States Patent [19]

Hornsby et al.

[11] Patent Number: **Des. 416,587**

[45] Date of Patent: **** Nov. 16, 1999**

[54] **PENDANT AMUSEMENT DEVICE**

[75] Inventors: **Russell Hornsby; Bernard Jankowski**, both of St. Louis; **Joseph Lee McGowan**, St. Peters; **Ryan A. Wolfinbarger**, Maplewood, all of Mo.

[73] Assignee: **Trendmasters, Inc.**, St. Louis, Mo.

[**] Term: **14 Years**

[21] Appl. No.: **29/097,774**

[22] Filed: **Dec. 14, 1998**

Related U.S. Application Data

[63] Continuation-in-part of application No. 29/090,502, Jul. 9, 1998.

[51] **LOC (6) Cl.** **21-01**

[52] **U.S. Cl.** **D21/329**

[58] **Field of Search** D21/324, 329, D21/333; D14/124, 125; 273/148 B; 463/1, 29-35, 46, 47, 49

[56] References Cited

U.S. PATENT DOCUMENTS

- D. 392,336 3/1998 Liu D21/329
- D. 398,659 9/1998 Yokoi D21/333

- D. 401,297 11/1998 Fai D21/329
- D. 403,362 12/1998 Fai D21/329
- D. 406,613 3/1999 Nakanishi D21/329
- 5,184,830 2/1993 Okada et al. 463/29
- 5,217,295 6/1993 Tortola et al. 362/109

OTHER PUBLICATIONS

HongKong Toys, pp. 1195 and 1247, vol. 1, Jan. 1998.

Primary Examiner—Prabhakar Deshmukh
Attorney, Agent, or Firm—Dorsey & Whitney LLP

[57] CLAIM

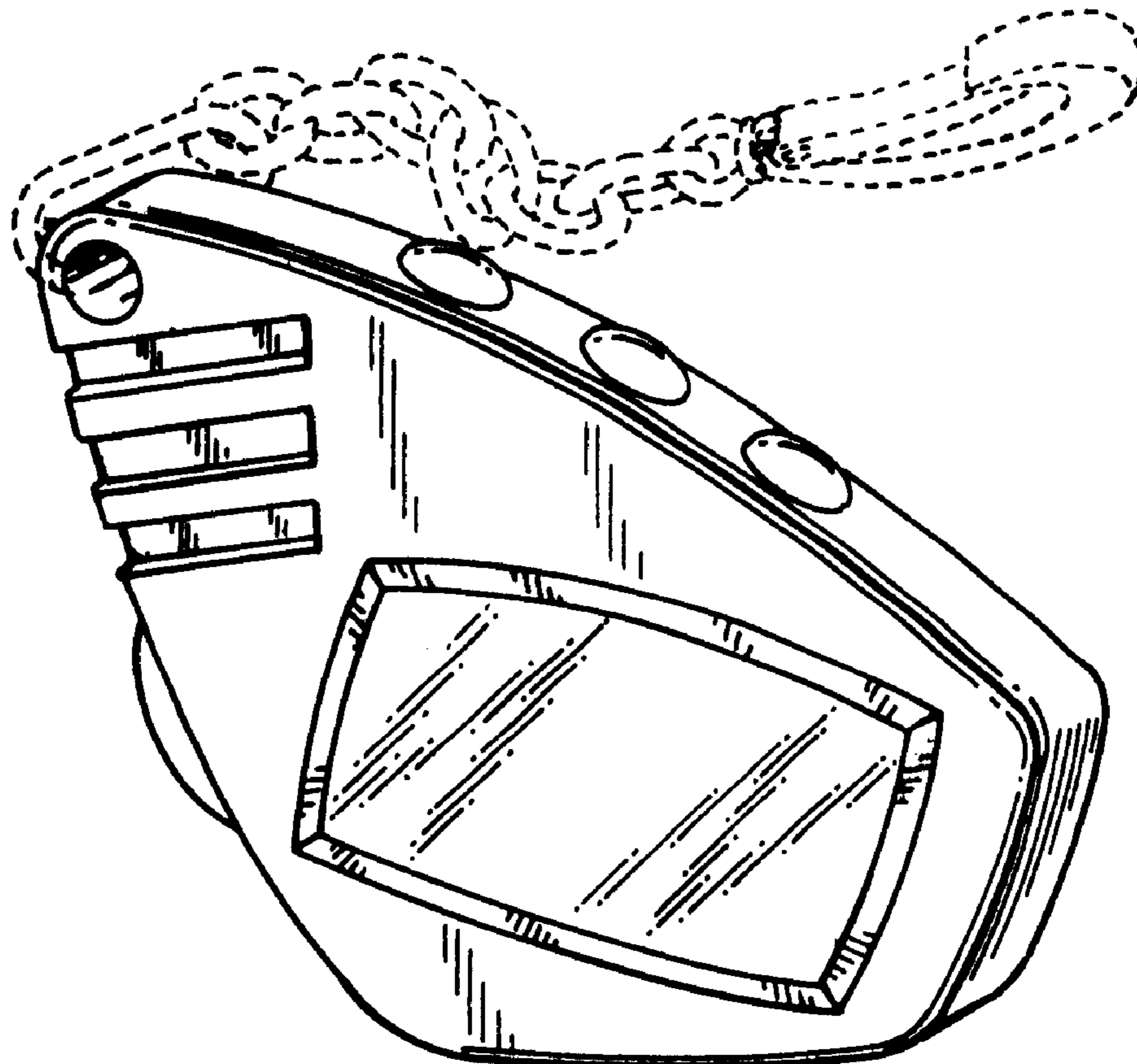
The ornamental design for a pendant amusement device, as shown and described.

DESCRIPTION

FIG. 1 is a perspective view of a pendent amusement device showing our new design; FIG. 2 is a top plan view thereof; FIG. 3 is a front elevational view thereof; FIG. 4 is a left side elevational view thereof; FIG. 5 is a right side elevational view thereof; FIG. 6 is a rear side elevational view thereof; and, FIG. 7 is a bottom plan view thereof.

The broken lines showing of chain is for illustrative purpose only and forms no part of the claimed design.

1 Claim, 1 Drawing Sheet



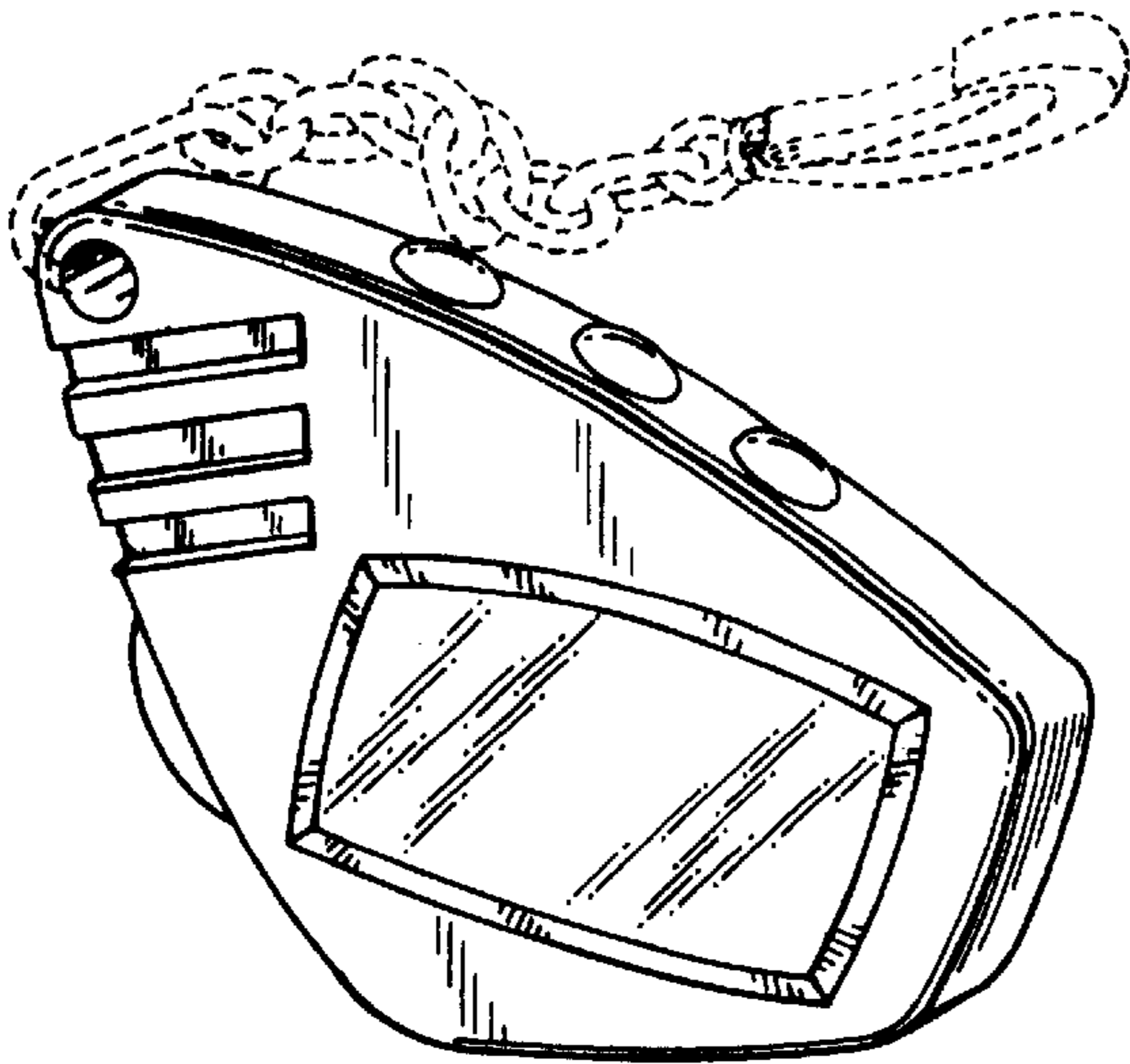


Fig. 1

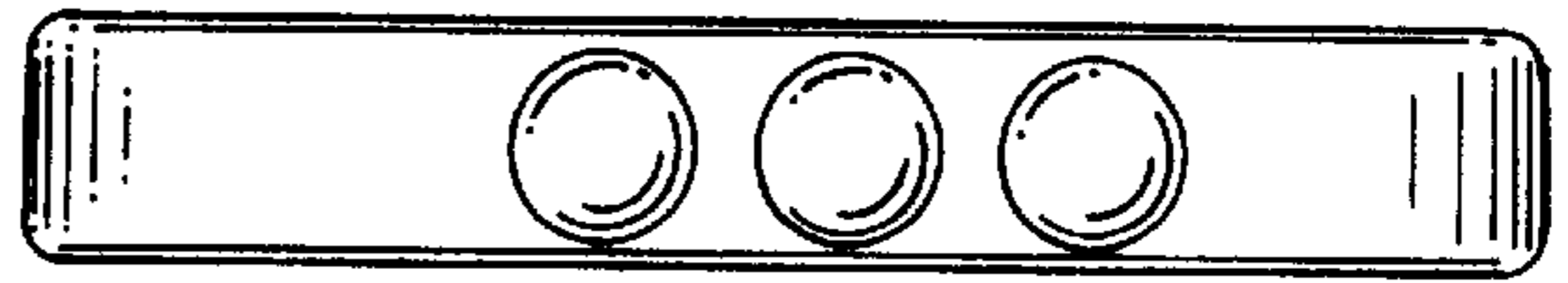


Fig. 2

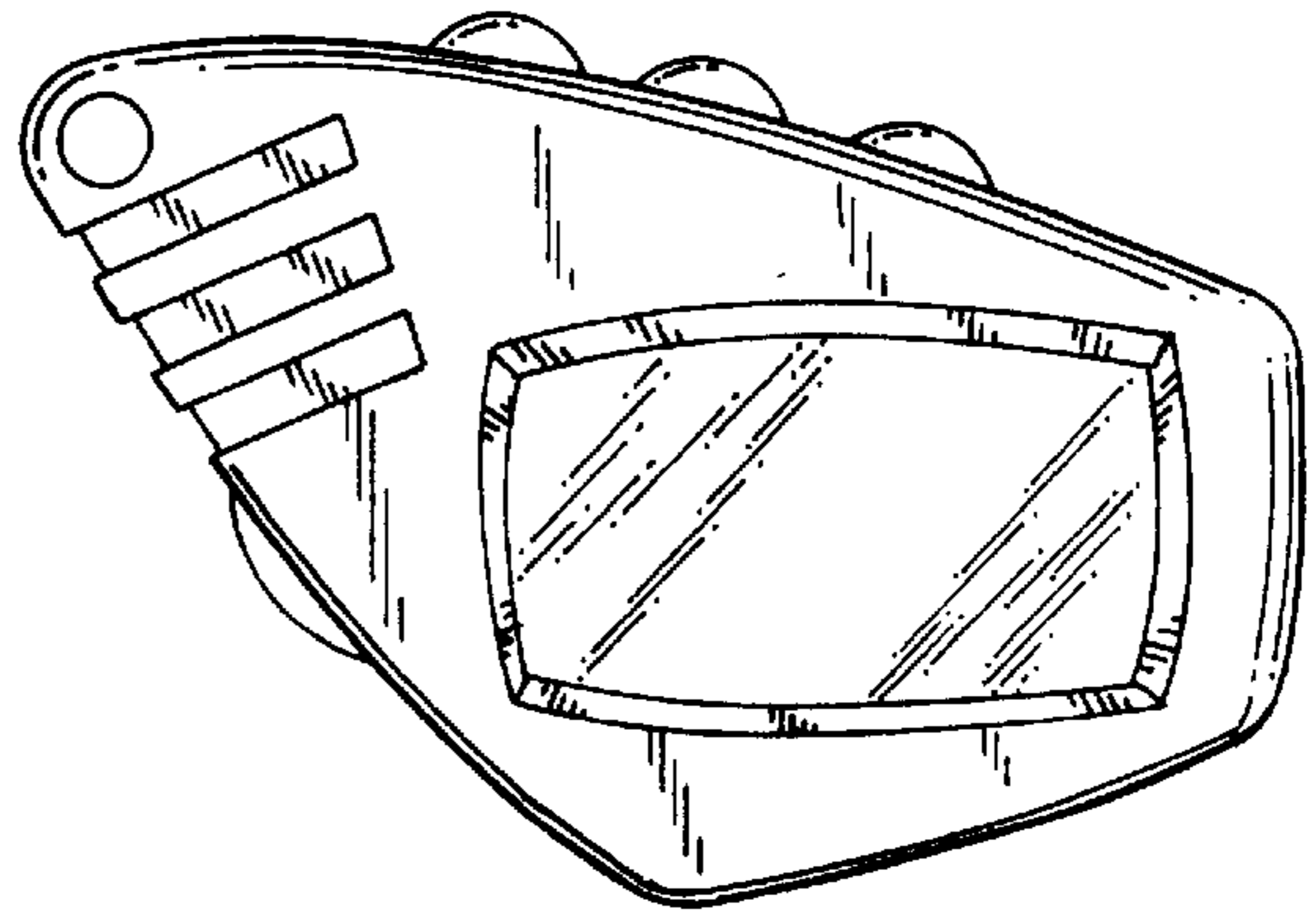


Fig. 3



Fig. 4

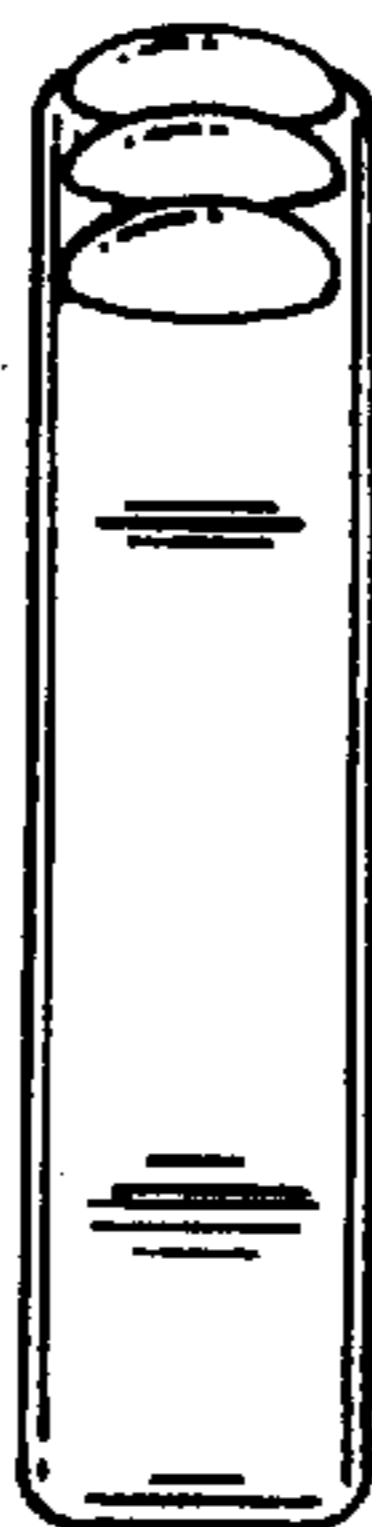


Fig. 5

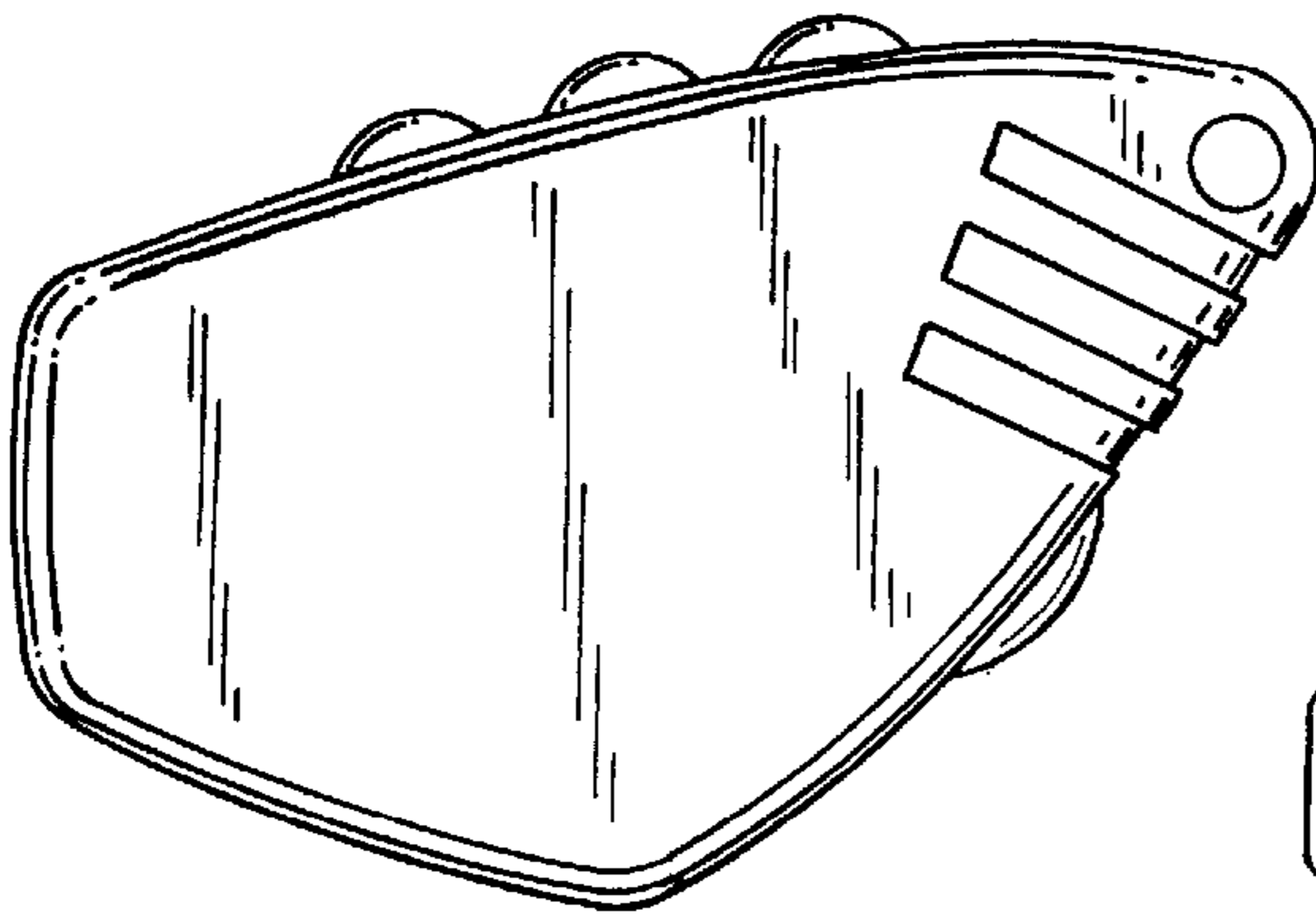


Fig. 6



Fig. 7