



US00D416584S

United States Patent [19]
Ho

[11] **Patent Number: Des. 416,584**

[45] **Date of Patent: ** Nov. 16, 1999**

[54] **MAGNETICALLY-MOUNTABLE NOTE PAPER DISPENSER**

[76] Inventor: **Peter Pei-Tak Ho**, 3723 N. Cicero Ave., Chicago, Ill. 60641

[**] Term: **14 Years**

[21] Appl. No.: **29/094,155**

[22] Filed: **Sep. 26, 1998**

[51] **LOC (6) Cl.** **19-02**

[52] **U.S. Cl.** **D19/78; D19/90; D19/83; D20/42**

[58] **Field of Search** D19/35, 36, 52, D19/65, 75, 78, 81-85, 86, 90, 91, 99, 100; D6/512, 515, 518, 519; D20/40, 42, 43; 281/31, 45, 27.3; 40/663, 653; 211/46, 50, 73; 248/316.5; 206/39.6, 425, 214

[56] **References Cited**

U.S. PATENT DOCUMENTS

D. 142,775	11/1945	Di Rebayio	D19/78
D. 332,970	2/1993	Myers	319/78
D. 349,516	8/1994	Svee	D20/42
D. 354,519	1/1995	Wagner	D19/85
D. 371,391	7/1996	Meyer	D19/90
D. 375,977	11/1996	Swarts	D19/90
D. 390,882	2/1998	Ho	D20/42
D. 394,882	6/1998	Ho	D20/42
D. 408,449	4/1999	Ho	D19/52
844,948	2/1907	Lynch	281/31
1,212,349	1/1917	Hardy	206/39.6
3,029,537	4/1962	Hopp et al.	40/653
3,301,264	1/1967	Usoskin	281/27.3 X
5,137,453	8/1992	Hudson	434/408
5,363,985	11/1994	Cornell	211/46
5,480,037	1/1996	Pope	211/50

OTHER PUBLICATIONS

Catalog p. 28 from TradeNet Line.

Catalog page from 3M Post-It Note dispensers.

Primary Examiner—Martie K. Holtje

[57] **CLAIM**

The ornamental design for an ornamental design for a magnetically-mountable note paper dispenser, as shown and described.

DESCRIPTION

FIG. 1 is a front elevation view of a magnetically-mountable note paper dispenser showing my new design; FIG. 2 is a side elevation view, the other side being a mirror image thereof; FIG. 3 is a bottom plan view thereof; FIG. 4 is a top plan view thereof; FIG. 5 is an enlarged fragmentary cross-sectional view of the dispenser and the magnetic strip taken along lines 5—5 of FIG. 1; FIG. 6 is a rear view thereof; FIG. 7 is an enlarged fragmentary cross-sectional view taken along lines 7—7 of FIG. 6; FIG. 8 is an enlarged fragmentary cross-sectional view taken along lines 8—8 of FIG. 6; FIG. 9 is an enlarged fragmentary cross-sectional view taken along lines 9—9 of FIG. 6; FIG. 10 is a perspective view of FIG. 1 thereof; FIG. 11 is a front elevation view of FIG. 1 in use with a pen inserted in the pen holding slot thereof; FIG. 12 is a side elevation view of FIG. 11, the other side being a mirror image thereof; FIG. 13 is a bottom plan view of FIG. 11 thereof; FIG. 14 is a top plan view of FIG. 11 thereof; FIG. 15 is a perspective view of FIG. 11 thereof; FIG. 16 is a second embodiment of FIG. 1, it being understood that the undisclosed right-side, left side, bottom and top plan views the same as in FIGS. 2, 3 and 4; FIG. 17 is a rear view of the second embodiment thereof; FIG. 18 is a perspective view of the second embodiment; and, FIG. 19 is a perspective view of the second embodiment in use with a pen inserted in the pen holding slot thereof. The dashed lines in FIGS. 1, 10, 16 and 18 have been employed to depict scored fold lines. The broken lines showing the outlines of a pen on FIGS. 11-15 and 19 are for illustrative purposes only and form no part of the claimed design. The broken lines showing the outlines of a note pad on FIGS. 1-4, 6, 10-15 and 19 are for illustrative purposes only and form no part of the claimed design.

1 Claim, 6 Drawing Sheets

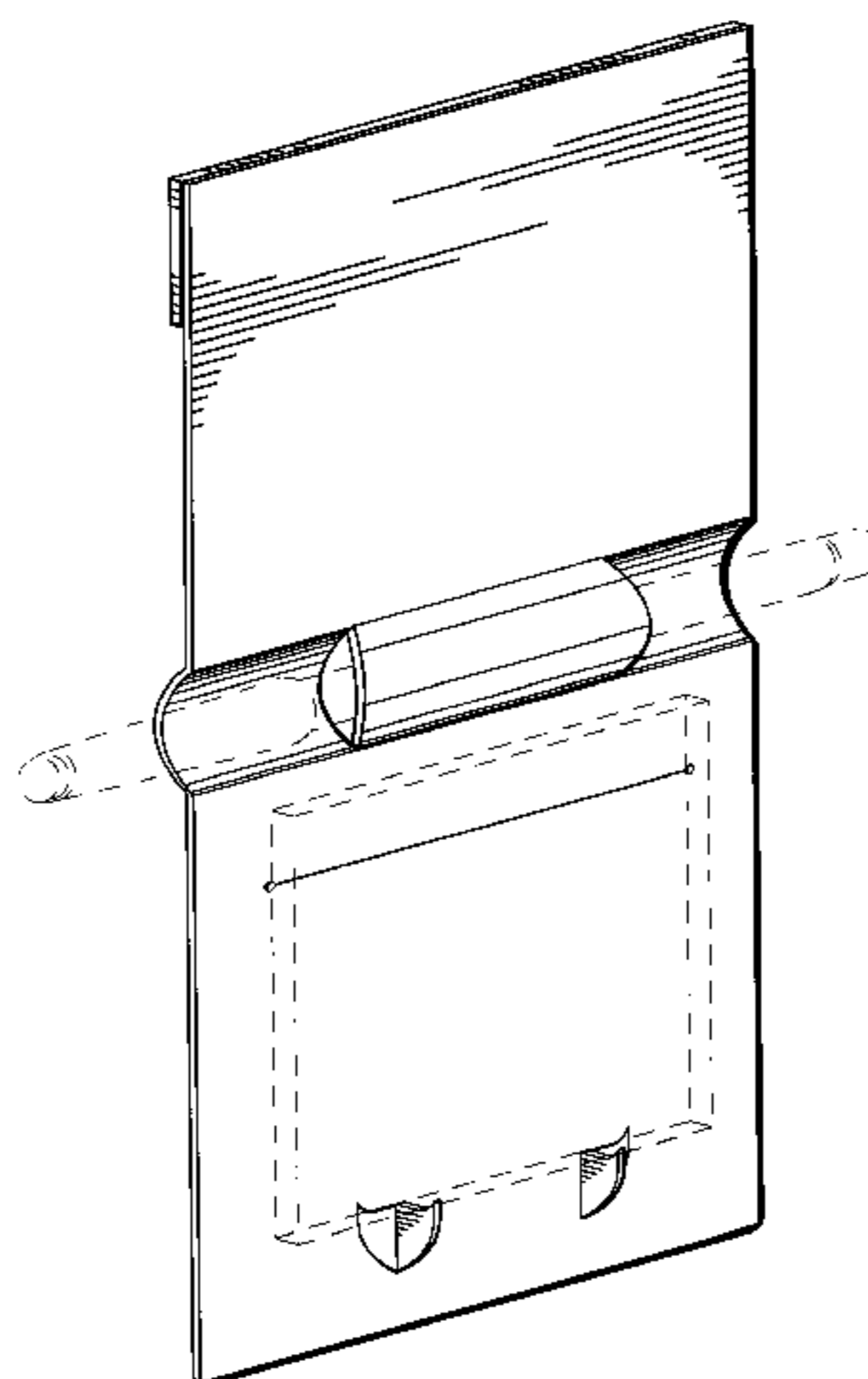


FIG. 4

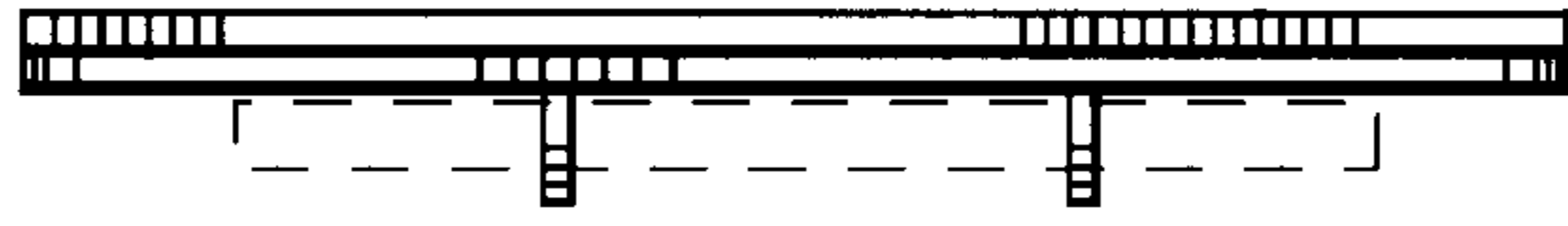


FIG. 5

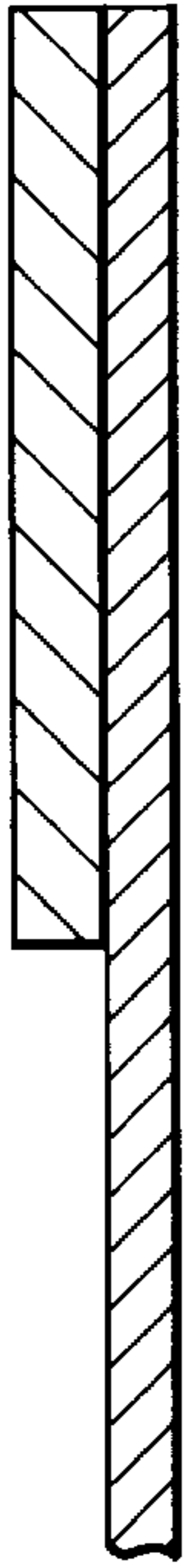


FIG. 1

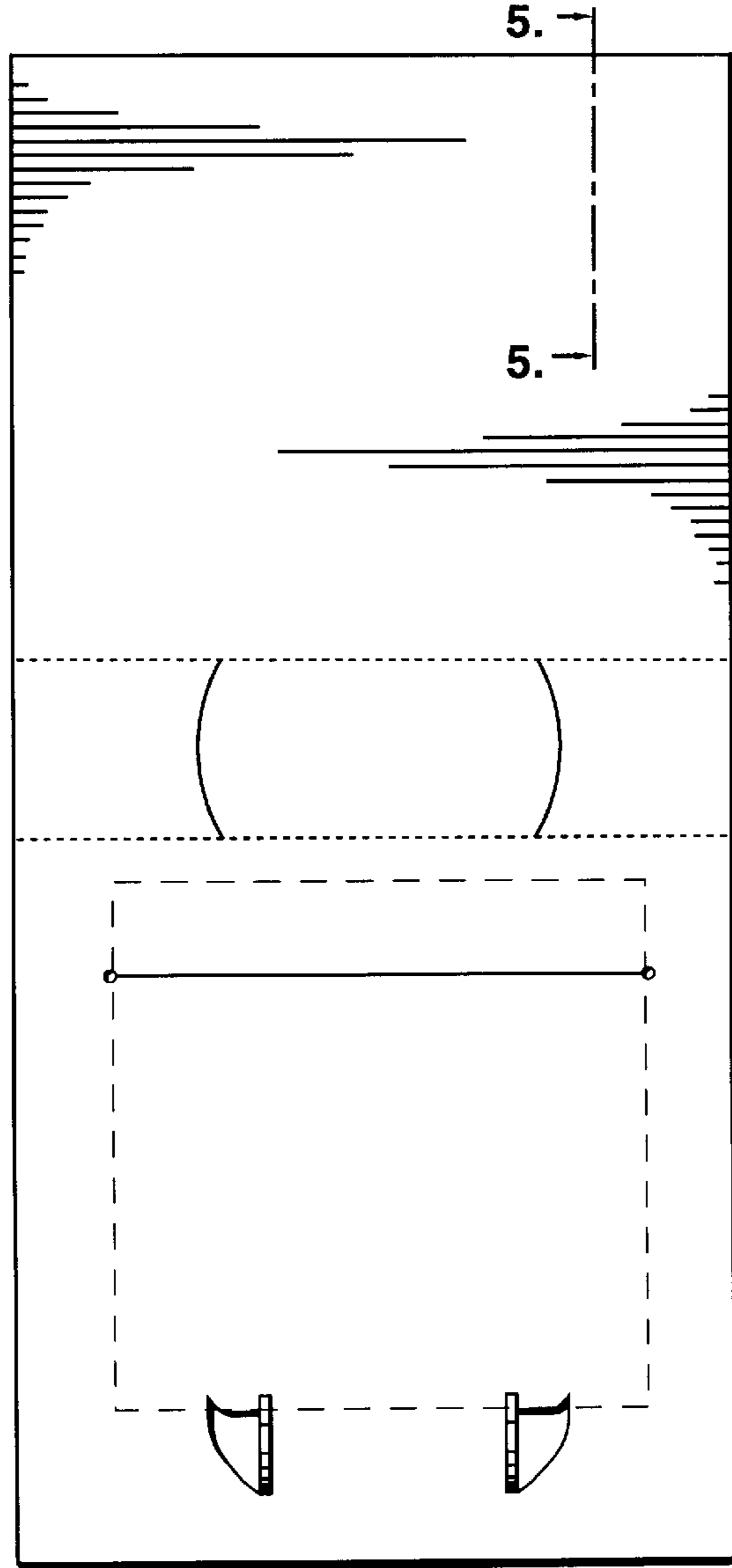


FIG. 2

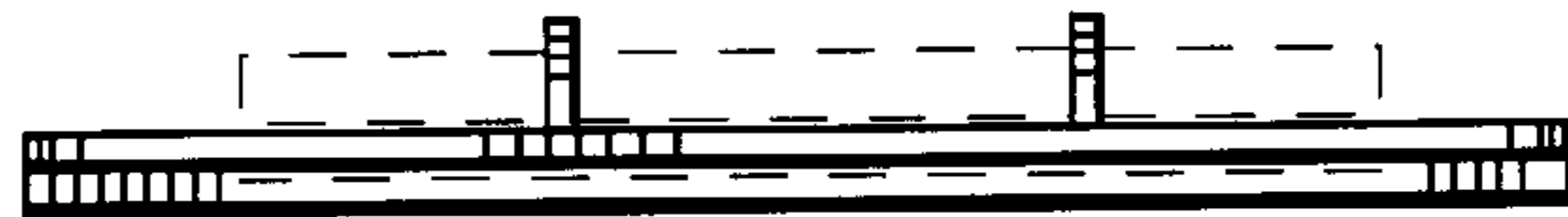
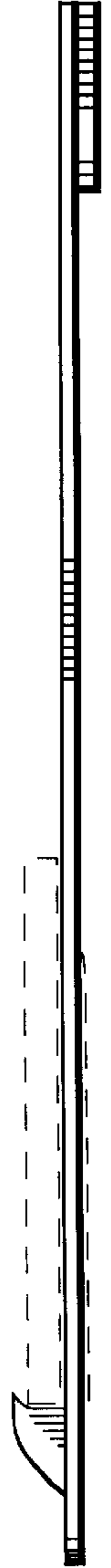


FIG. 3

FIG. 6

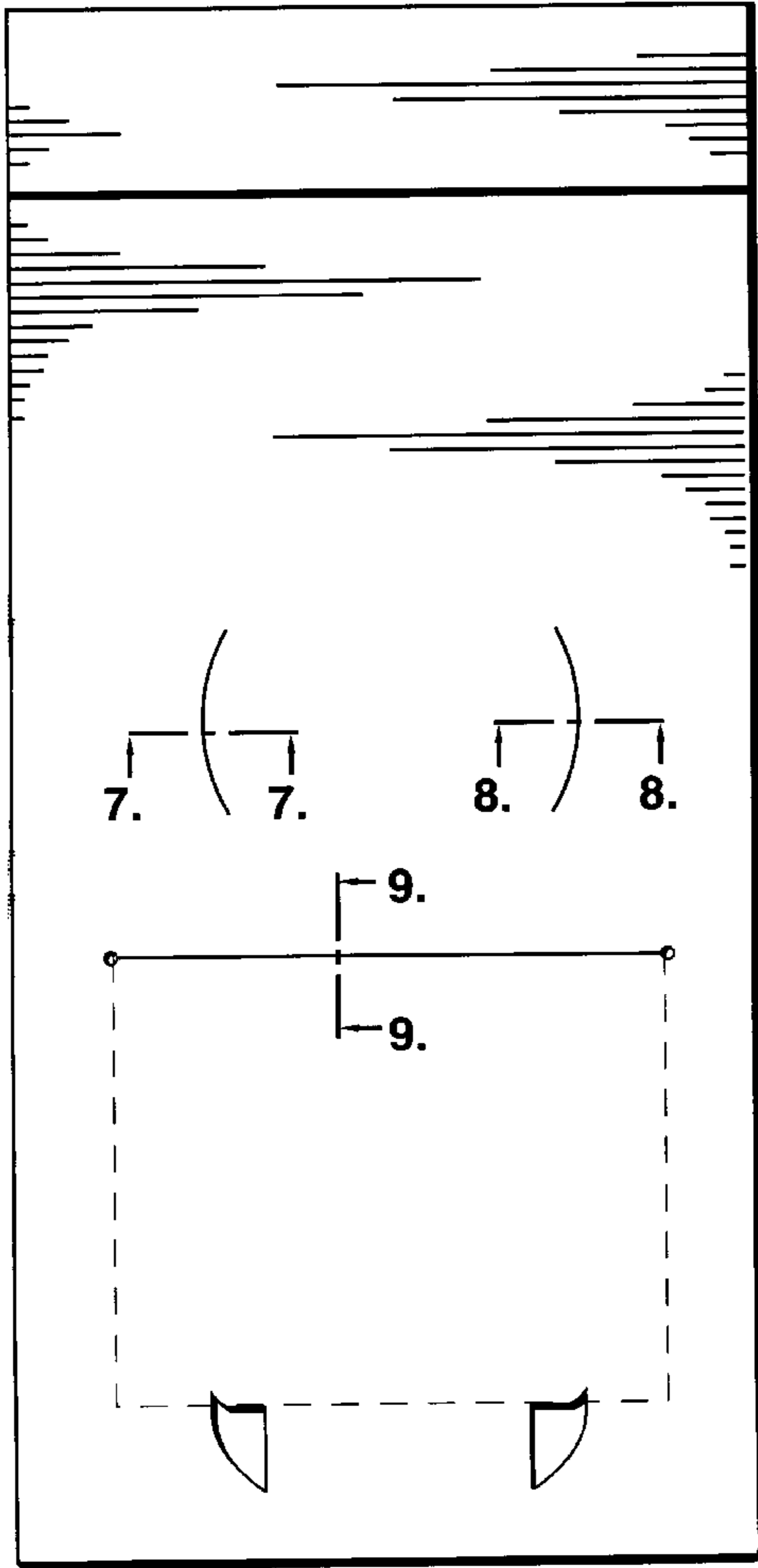


FIG. 10

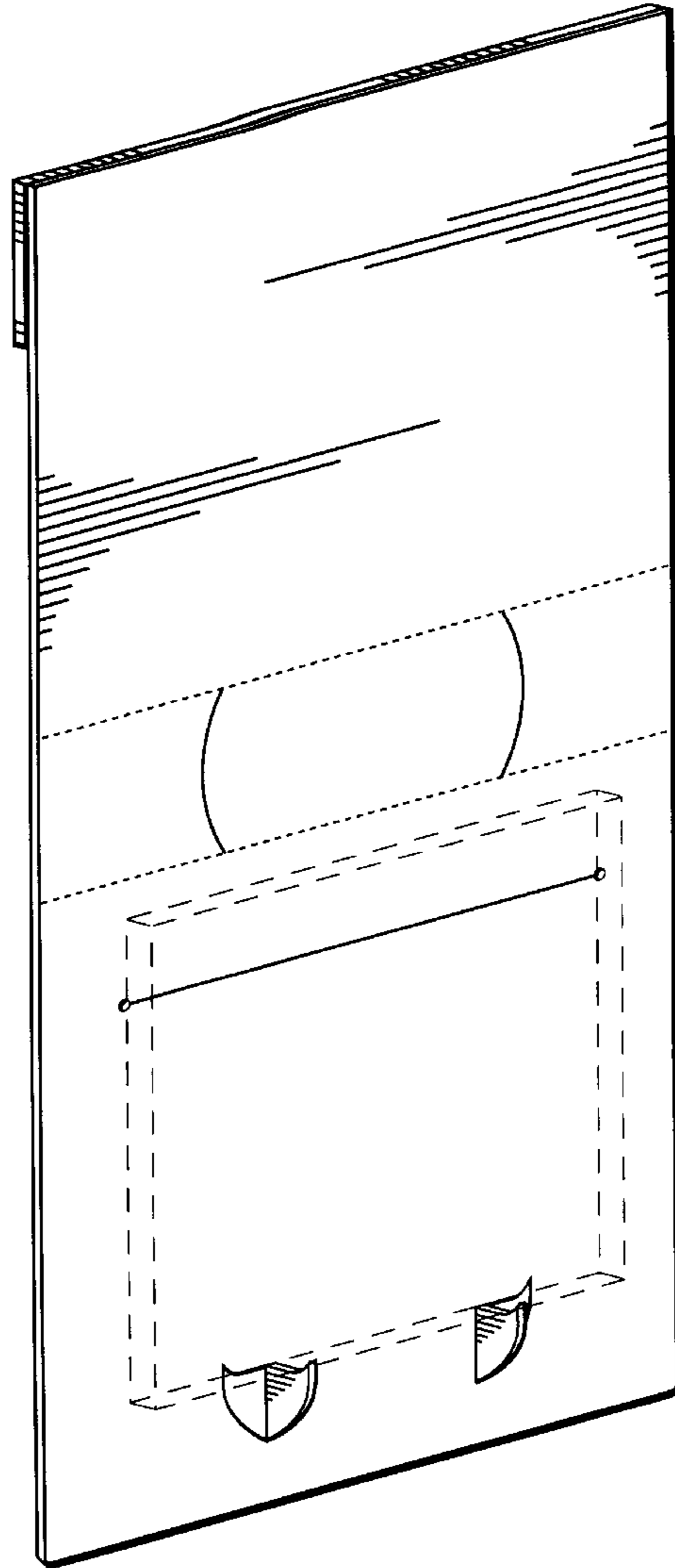


FIG. 7



FIG. 8

FIG. 9



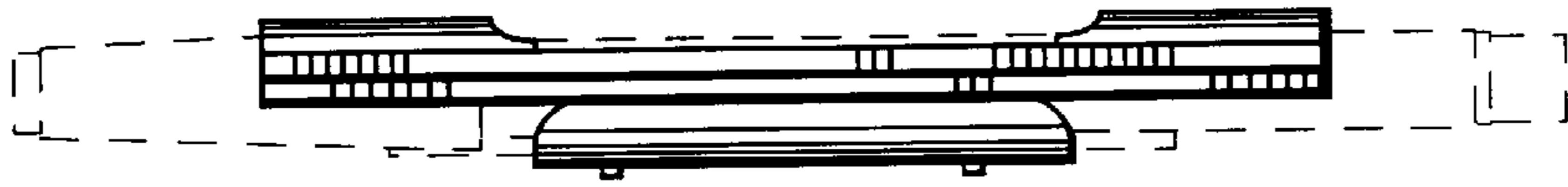


FIG. 14

FIG. 11

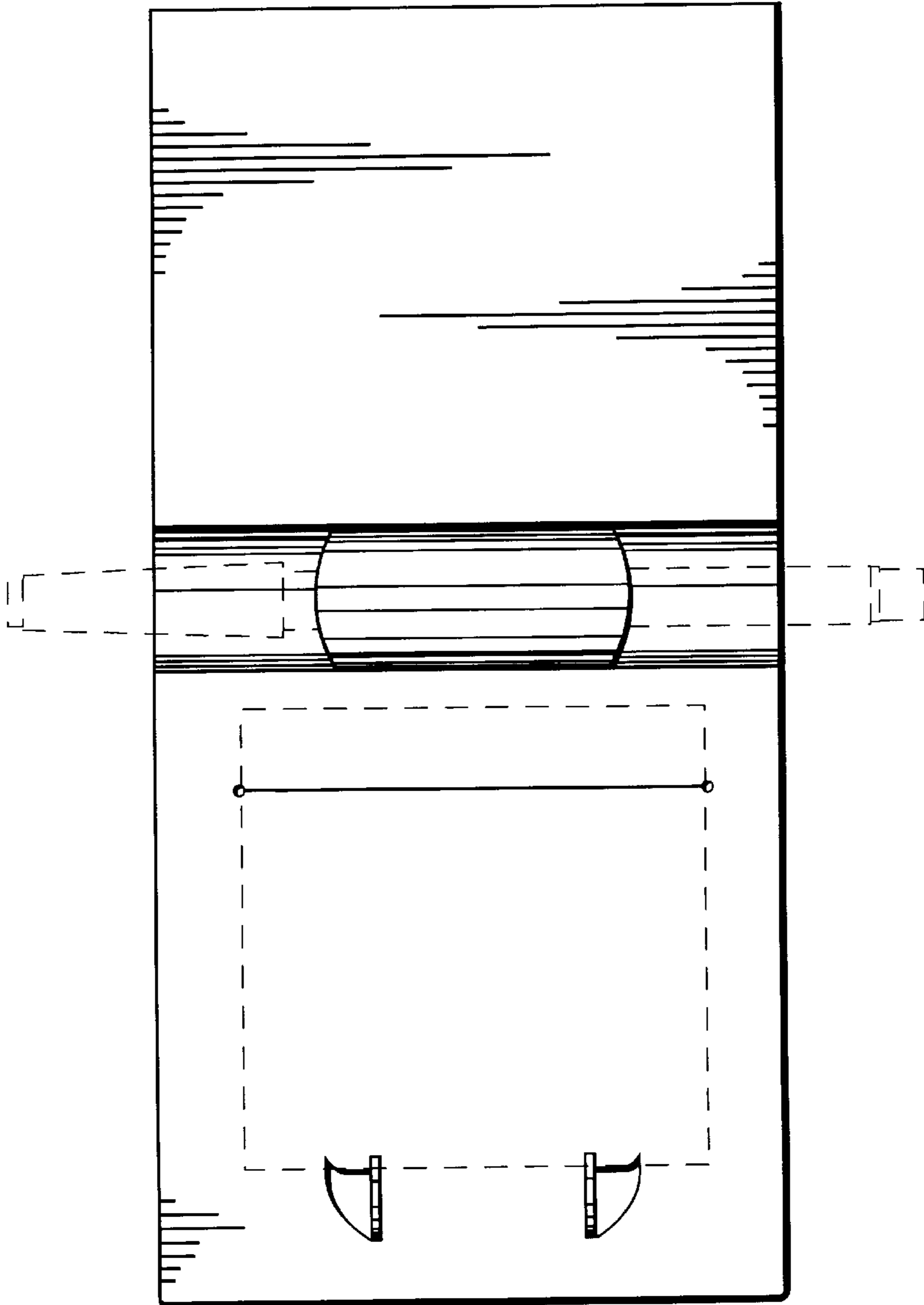


FIG. 12

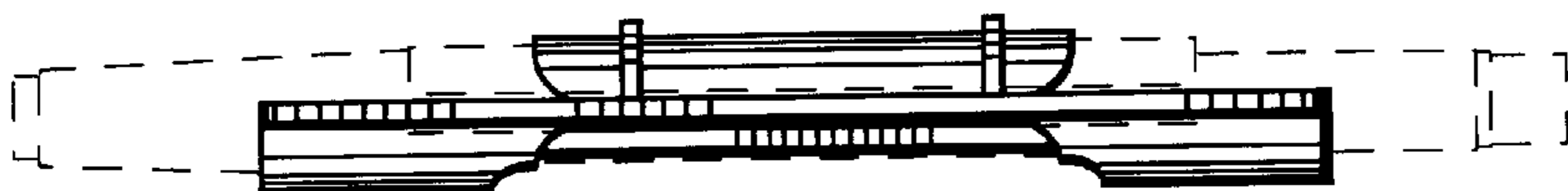


FIG. 13

FIG. 15

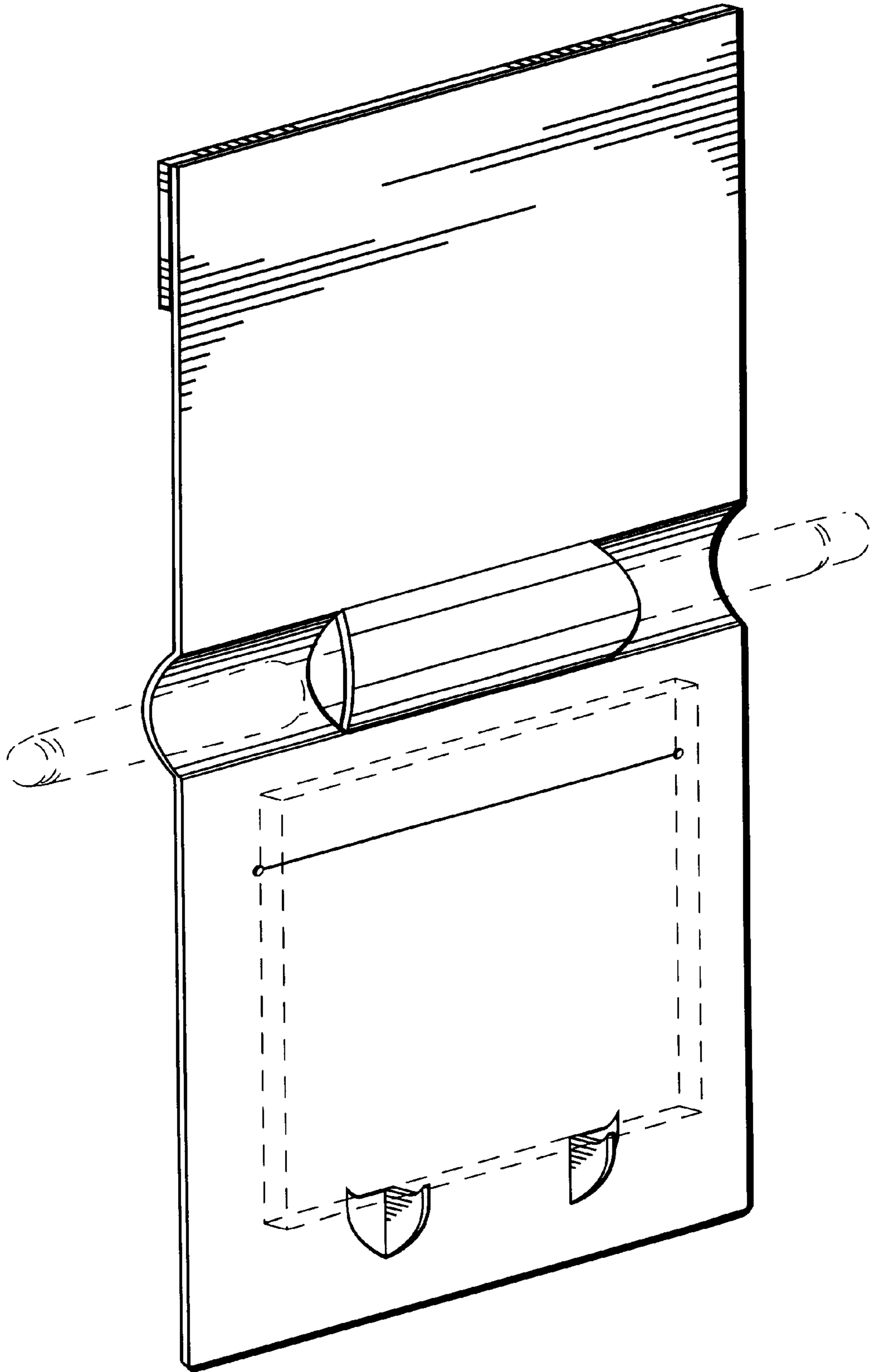


FIG. 16

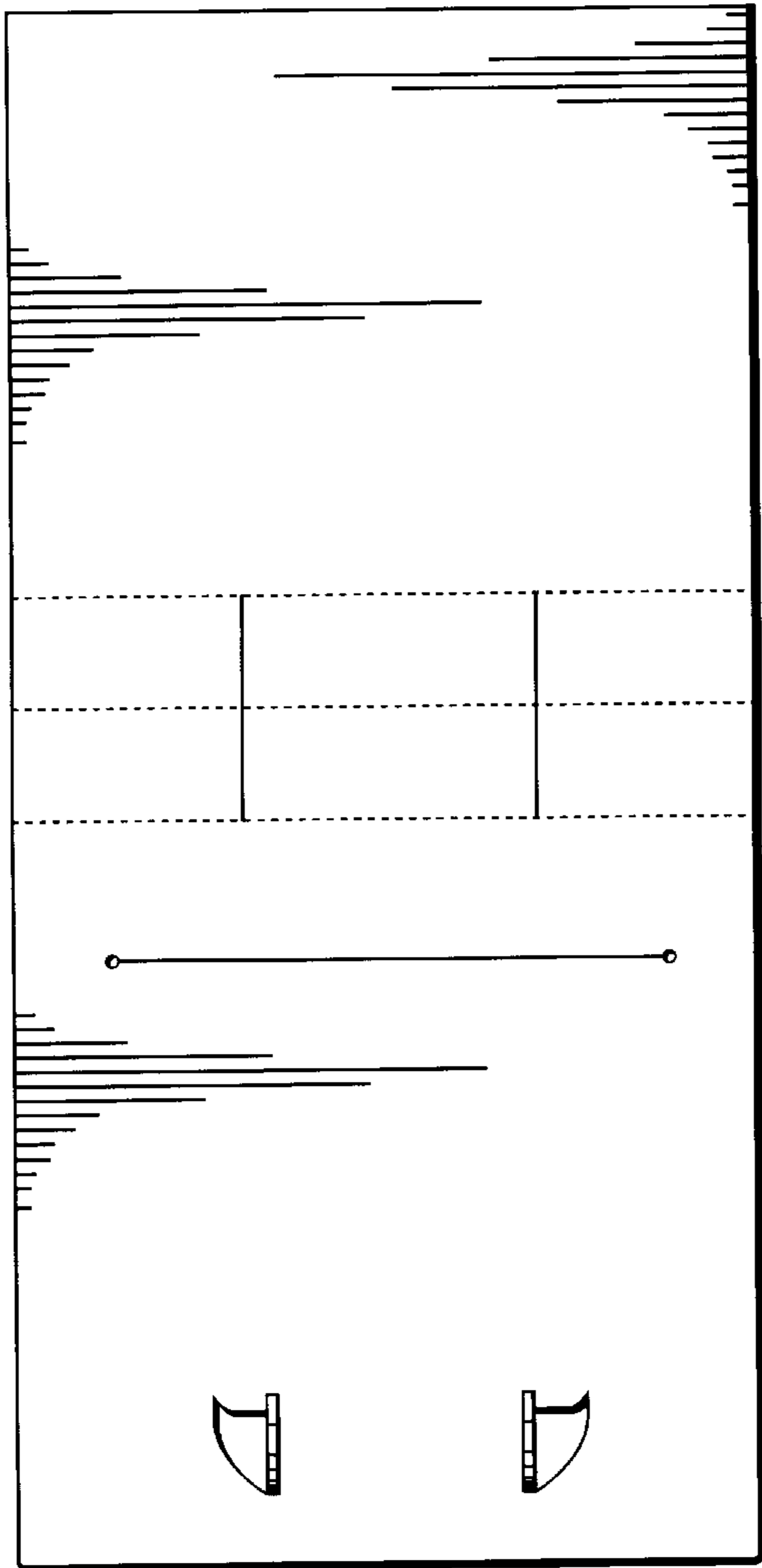


FIG. 17

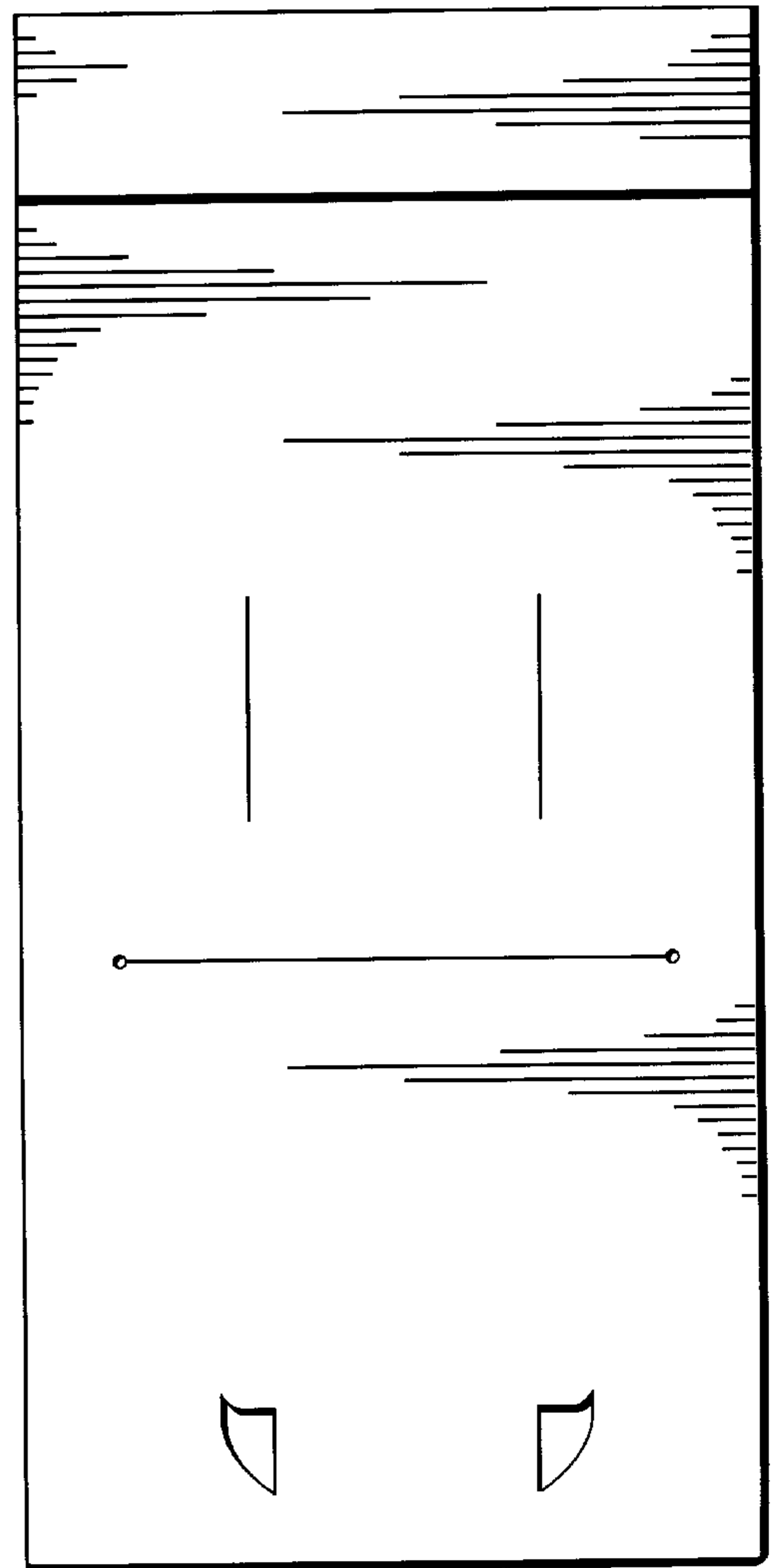


FIG. 18

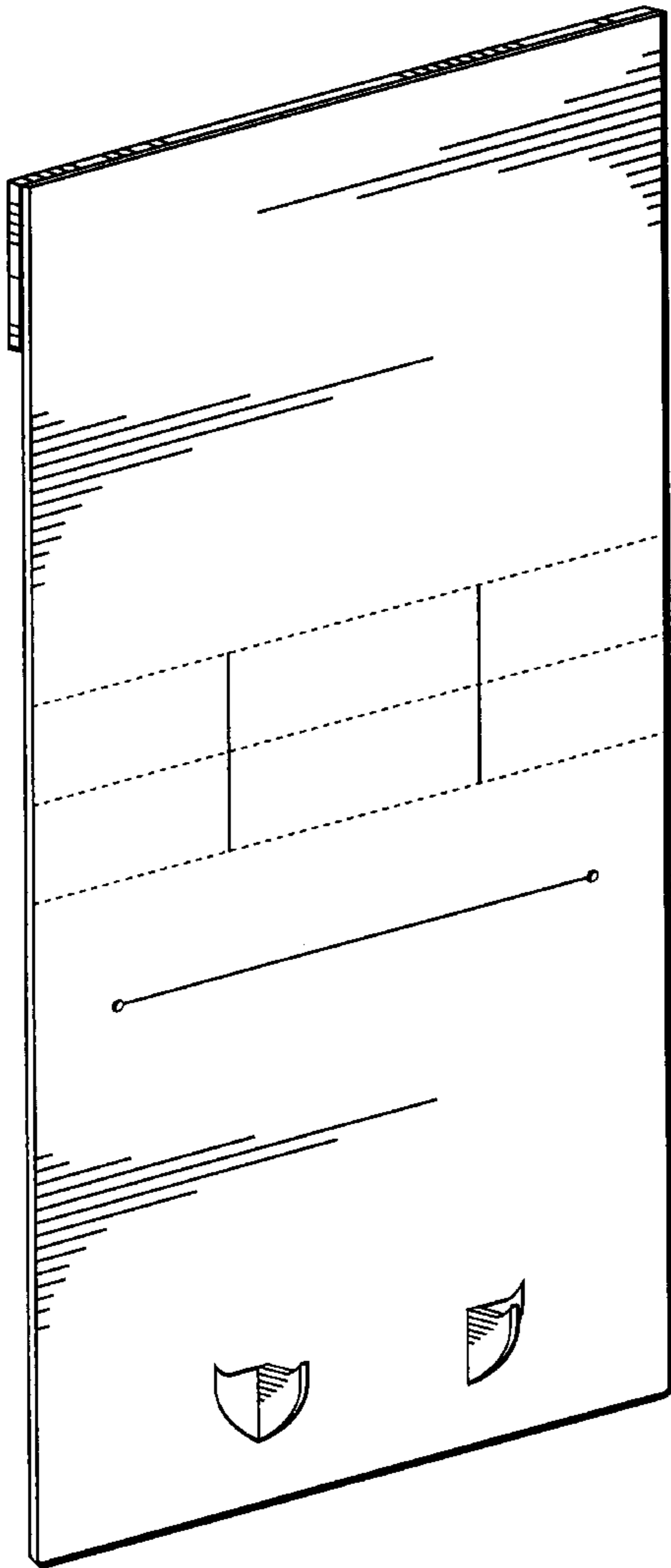


FIG. 19

