



US00D416582S

United States Patent [19]

Dunshee et al.

[11] Patent Number: Des. 416,582

[45] Date of Patent: ** Nov. 16, 1999

[54] TAPE DISPENSER

[75] Inventors: Wayne K. Dunshee, Maplewood, Minn.; Joy A. Packard, Somerset, Wis.

[73] Assignee: 3M Innovative Properties Company, St. Paul, Minn.

[**] Term: 14 Years

[21] Appl. No.: 29/097,492

[22] Filed: Dec. 8, 1998

[51] LOC (6) Cl. 19-02

[52] U.S. Cl. D19/69; D19/67; D10/72

[58] Field of Search 33/766; D19/35, D19/65, 67, 68, 69, 89, 99, 100; D10/72; 83/568; 225/5, 6, 7, 19, 24, 25, 34, 35, 44, 45, 56, 65, 77, 89; 156/327, 527, 577, 510, 391; 242/588.6, 146

[56] References Cited

U.S. PATENT DOCUMENTS

D. 95,616	5/1935	Ritter	D10/72
D. 125,085	2/1941	Jackson	.	
D. 134,545	12/1942	Fischer	D19/69
D. 136,657	11/1943	Funke	D19/69
D. 141,220	5/1945	Preble, Jr.	D74/1
D. 164,733	10/1951	Pretzfelder, Jr.	D74/1
D. 185,284	5/1959	Hofmann	D74/1
D. 185,639	7/1959	Hofmann	D74/1
D. 186,343	10/1959	Gershen	D74/1
D. 187,765	4/1960	Gershen	D74/1
D. 192,455	3/1962	Castelli	D19/69
D. 192,835	5/1962	Wax	D74/1
D. 260,368	8/1981	Dunshee et al.	D9/415
D. 295,424	4/1988	Porter	D19/67
D. 323,531	1/1992	Fortune	D19/69
D. 338,493	8/1993	Mead	D19/69
D. 379,474	5/1997	Packard	D19/69
D. 380,777	7/1997	Packard	D19/69
1,869,729	8/1932	Zuckerman	.	
2,082,546	6/1937	Machate et al.	225/45
2,275,212	3/1942	Valentine	242/70
2,295,477	9/1942	Jackson	242/55.5
2,295,679	9/1942	Montbach	242/55.5
2,694,533	11/1954	Zucker	242/55.4

2,695,454	11/1954	Dart	33/766
2,699,251	1/1955	Rizza	225/34
2,710,152	6/1955	Jones	242/55.5
2,776,095	1/1957	Emmert	242/55.5
2,790,609	4/1957	Hawthorne et al.	242/55.5

(List continued on next page.)

OTHER PUBLICATIONS

“3M™ Micropore™ Surgical Tape, The dependable choice for a gentle, general dressing paper tape.”, 3M Health Care, form 70-2008-5942-2(1251)ii brochure, “3M Surgical Tape Sampler, Standards that never vary”, 3M Health Care, form 70-2008-6471-1 (532.5)ii.

2 copies of photographs of a prior art edge protector for use with Smith & Nephew medical tape rolls, which edge protector does not afford rotation of the roll of tape relative to the edge protector.

Engineering drawings for the “Micropore #1535 1 Dispenser”, 1 page.

Johnson and Johnson “Wound Care Products”, <http://www.jnjindia.com/provou.htm>.

Photographs of 3M tape dispensers.

Primary Examiner—Martie K. Holtje

Attorney, Agent, or Firm—Gary L. Griswold; Eloise J. Maki; Stephen W. Bauer

[57] CLAIM

The ornamental design for a tape dispenser, as shown and described.

DESCRIPTION

FIG. 1 is a perspective view of a tape dispenser of a new design.

FIG. 2 is a front view thereof.

FIG. 3 is a bottom view thereof.

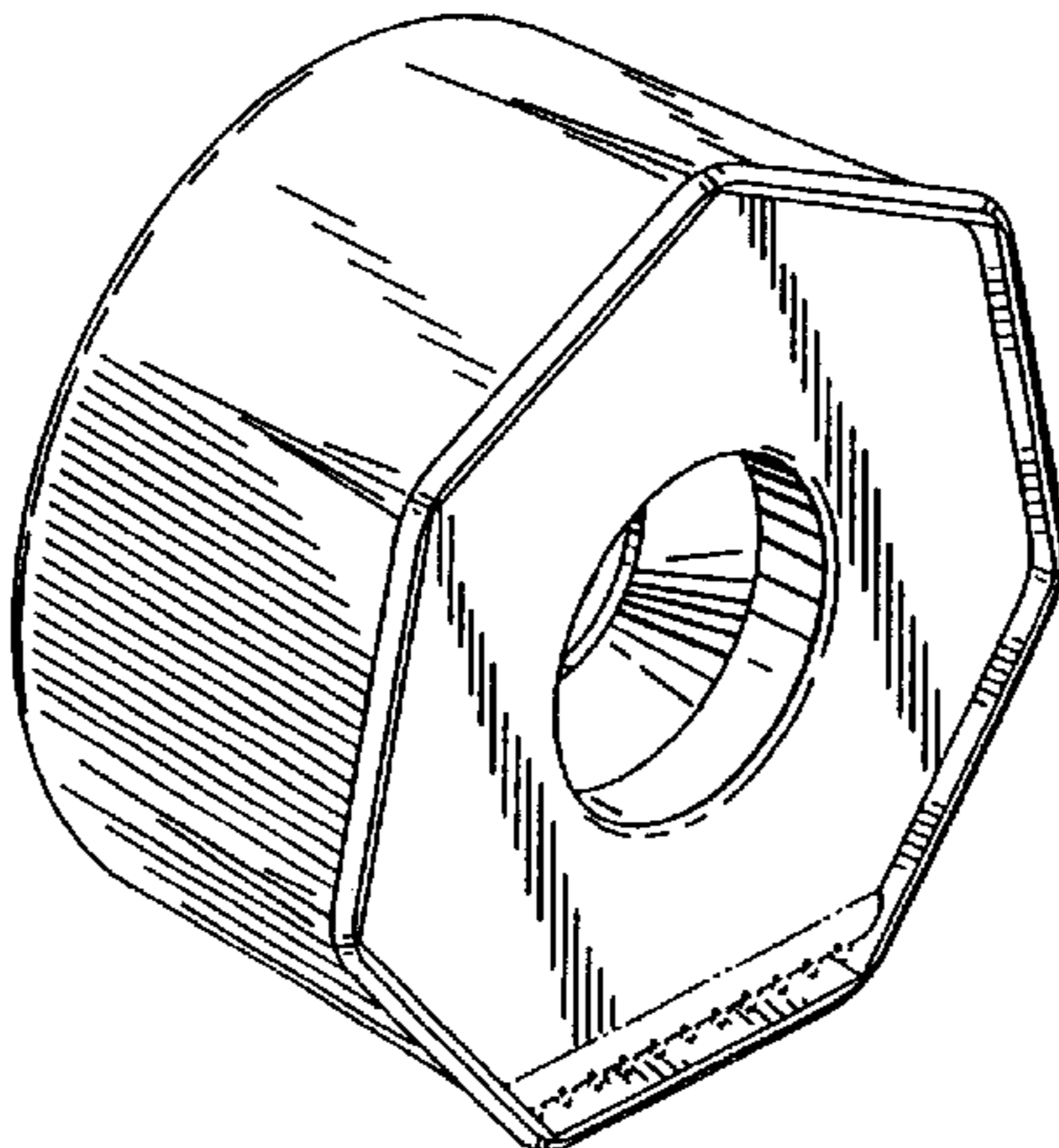
FIG. 4 is a right side view thereof, the left side being a mirror image thereof.

FIG. 5 is a rear view thereof; and,

FIG. 6 is a top view thereof.

The cutting structure depicted by means of broken lines in FIGS. 1 and 2 has been shown for illustrative purposes only and forms no part of the claimed design.

1 Claim, 2 Drawing Sheets



Des. 416,582

Page 2

U.S. PATENT DOCUMENTS

3,035,345	5/1962	Barnard	83/568	5,090,565	2/1992	Wang	206/411
3,102,671	9/1963	Gershen	225/43	5,133,980	7/1992	Ream et al.	426/115
3,121,021	2/1964	Copeland	117/122	5,154,335	10/1992	Bredow et al.	225/40
3,216,634	11/1965	Lausa	225/19	5,294,068	3/1994	Baro et al.	242/55.53
3,762,261	10/1973	Ekenberg	83/649	5,496,603	3/1996	Riedel et al.	428/40
4,060,444	11/1977	Schwig, Jr. et al.	156/391	5,631,073	5/1997	Riedel et al.	442/364
4,630,765	12/1986	Samuelson et al.	225/96	5,679,190	10/1997	Riedel et al.	156/62.2
4,700,835	10/1987	Rognsvoog, Jr.	206/411	5,698,067	12/1997	Packard	156/577
4,998,655	3/1991	Huang	225/26	5,735,400	4/1998	Packard	206/408

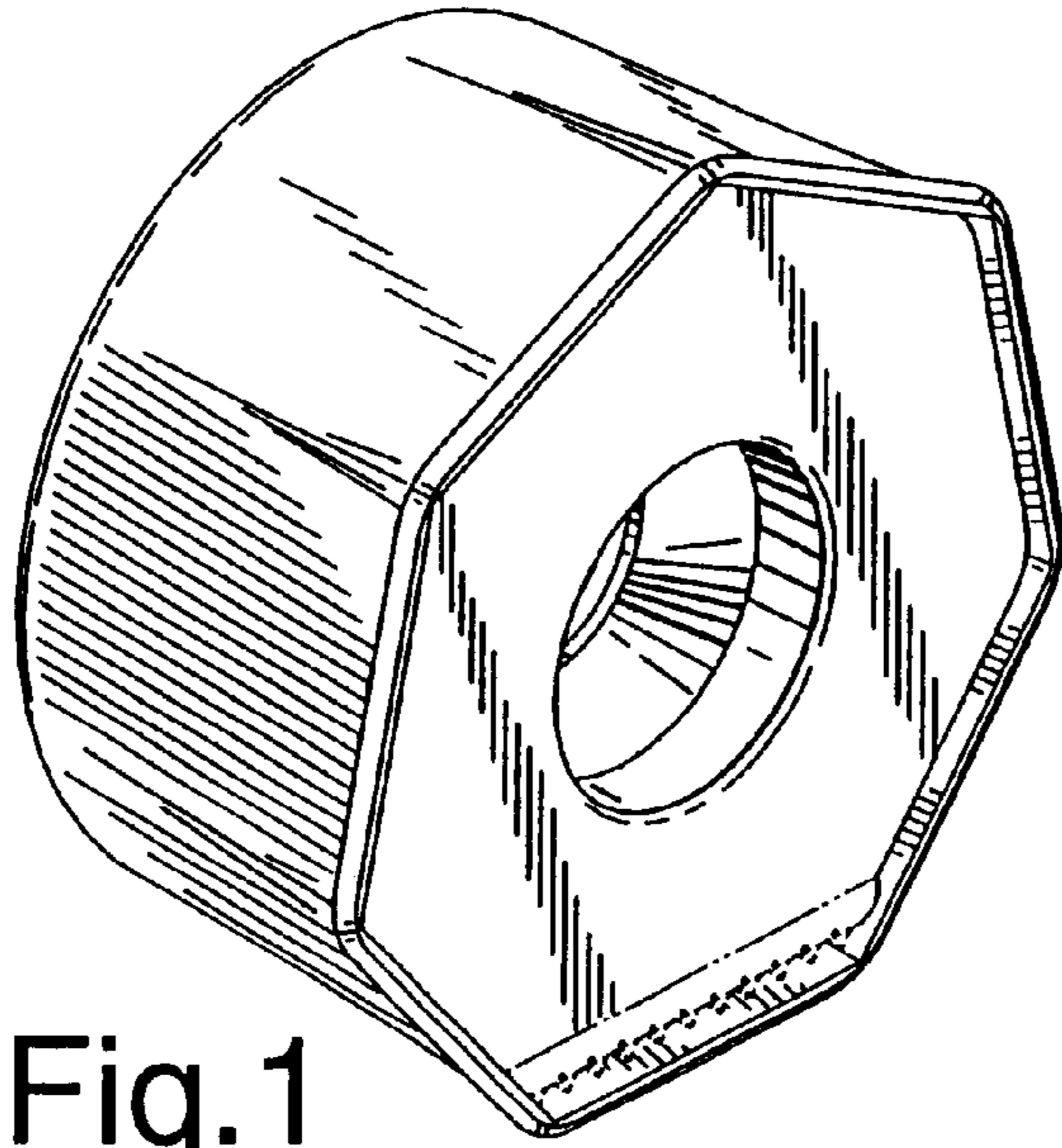


Fig. 1

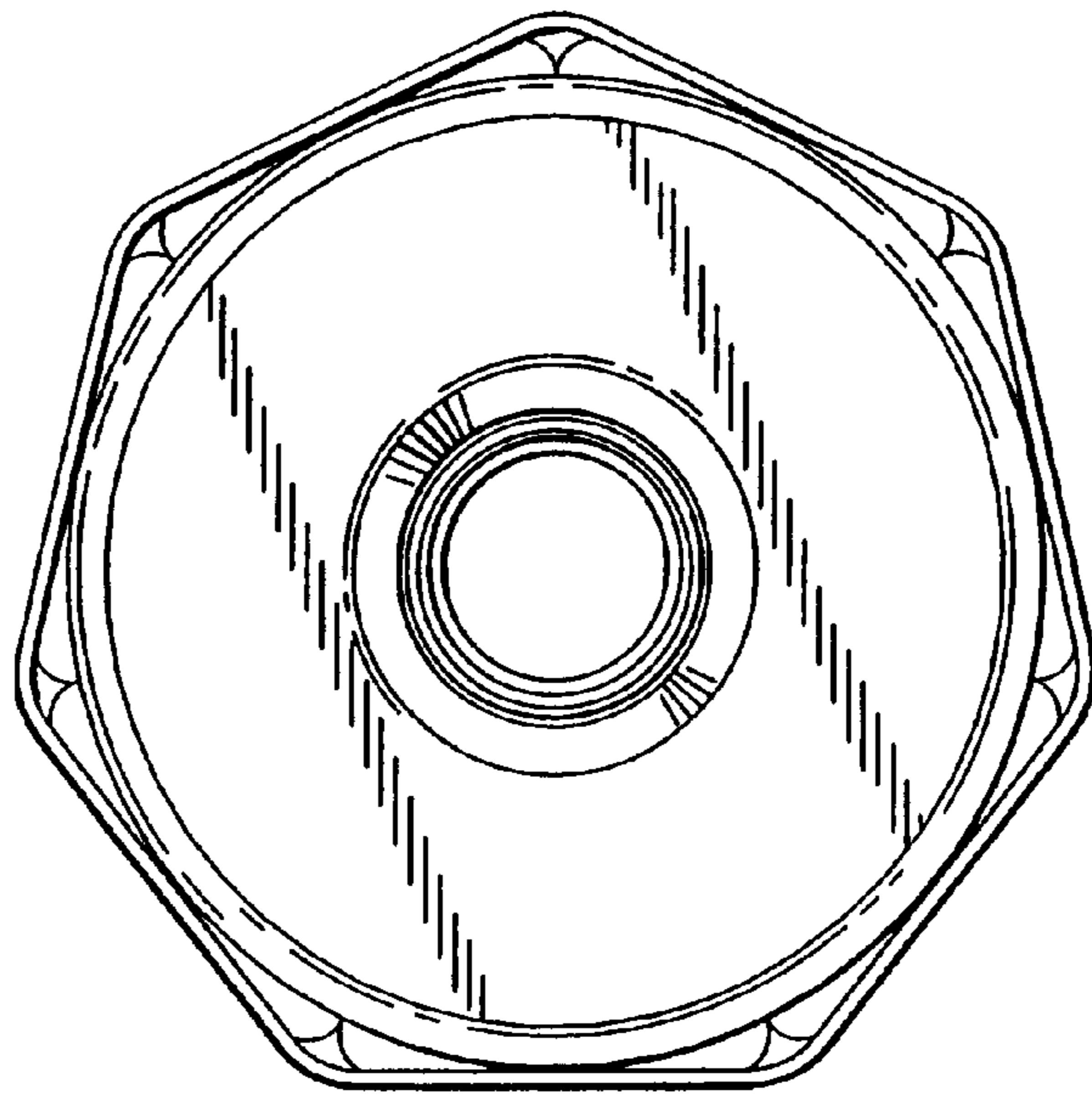


Fig. 5

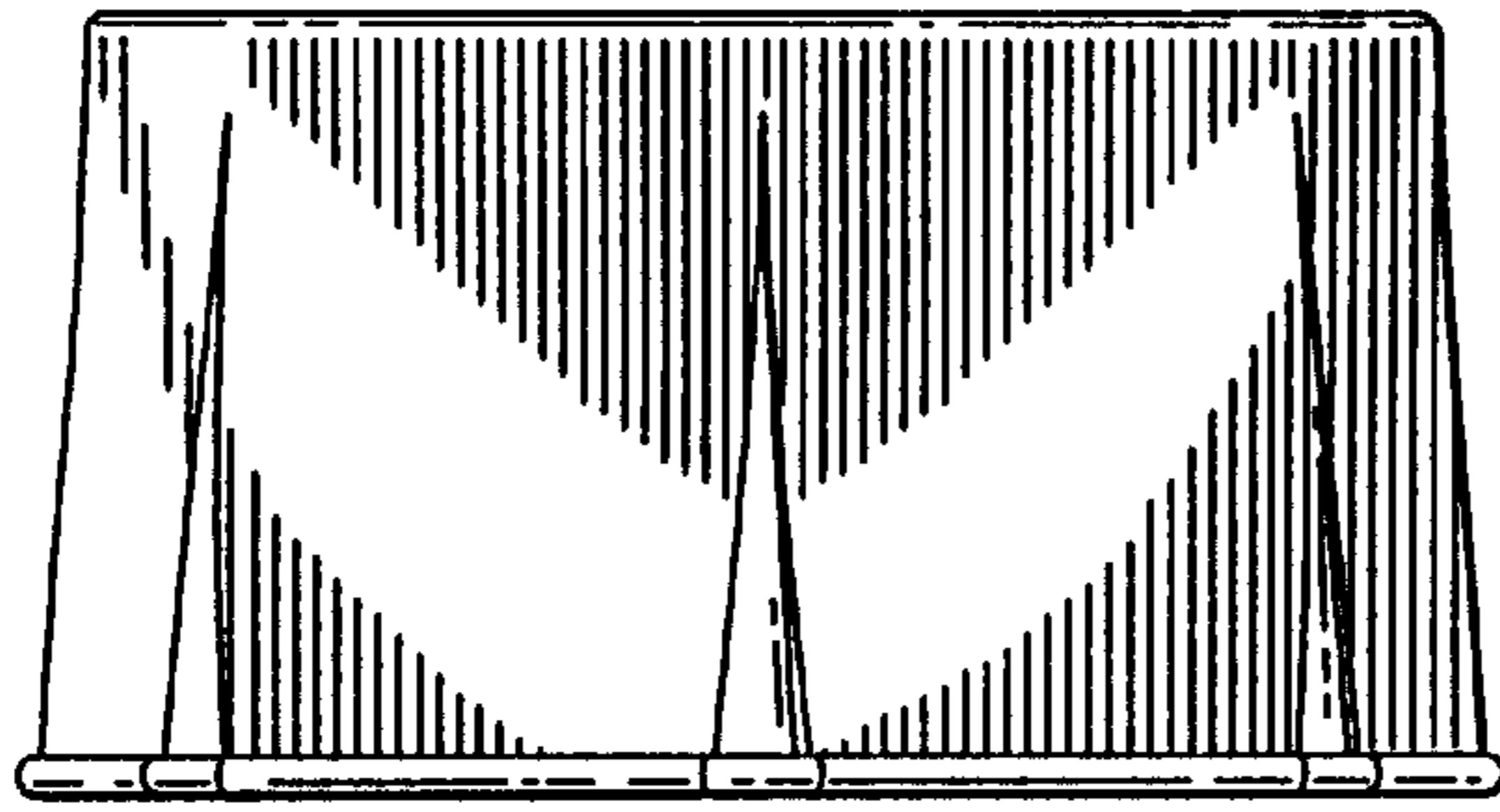


Fig. 6

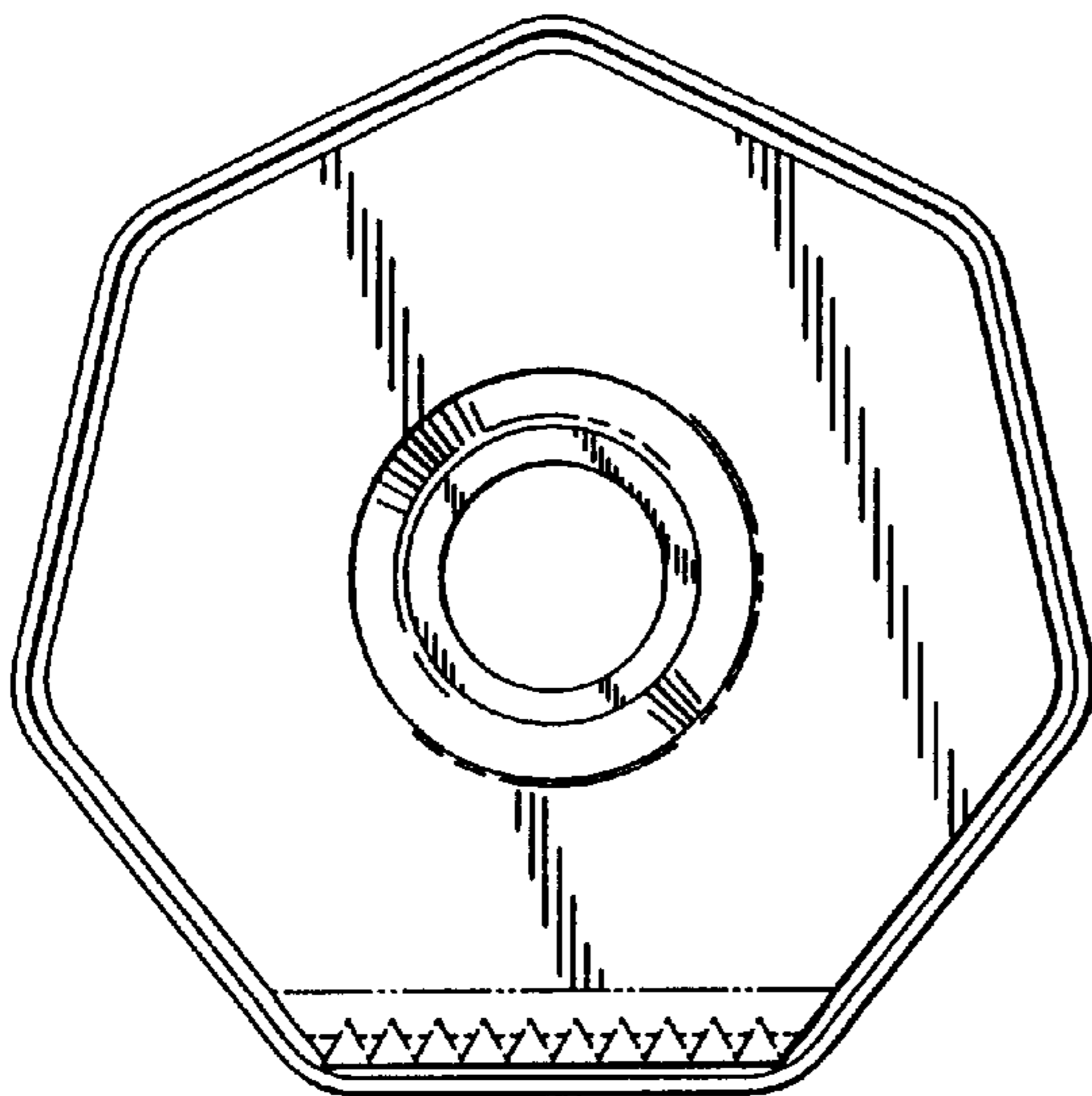


Fig. 2

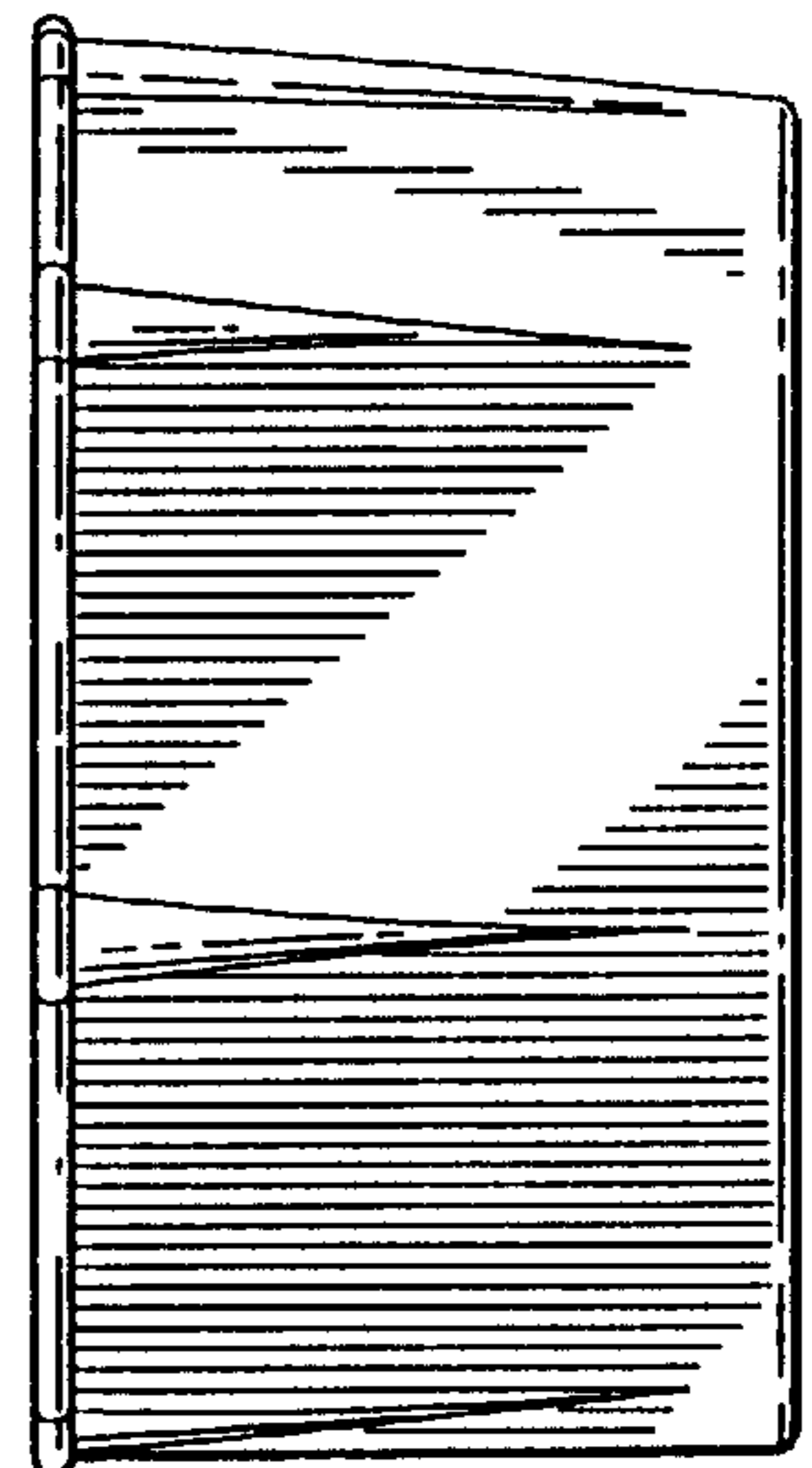


Fig. 4

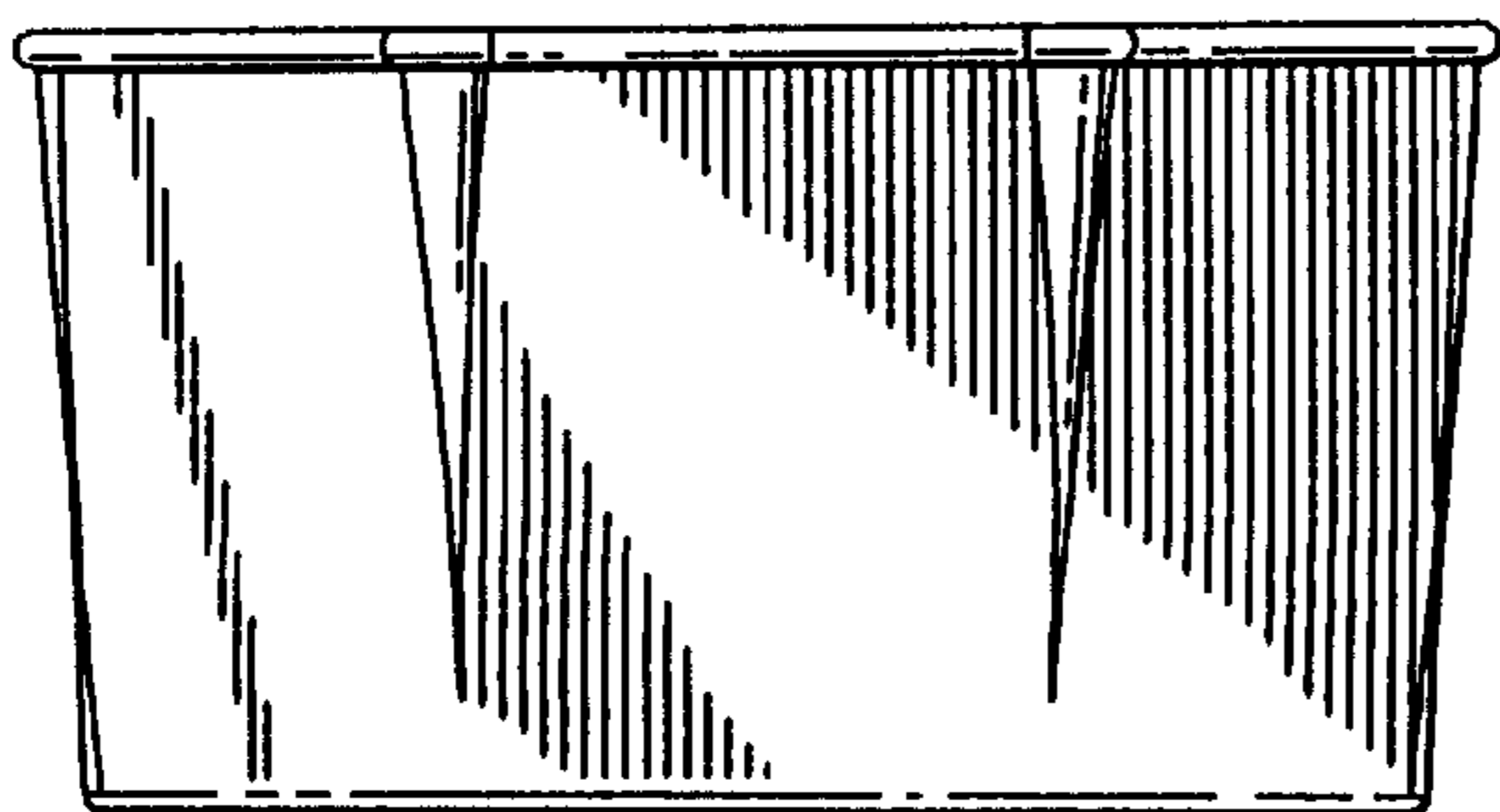


Fig. 3