



US00D416580S

# United States Patent [19]

Andrews et al.

[11] Patent Number: **Des. 416,580**

[45] Date of Patent: **\*\* Nov. 16, 1999**

[54] **CLIP FOR A WRITING INSTRUMENT**

[75] Inventors: **Neville Andrews**, Acton, Mass.; **Frank Polidoro**, Cumberland, R.I.

[73] Assignee: **Parker Pen Products**, Isleworth, United Kingdom

[\*\*] Term: **14 Years**

[21] Appl. No.: **29/102,516**

[22] Filed: **Mar. 25, 1999**

[51] **LOC (6) Cl.** ..... **19-06**

[52] **U.S. Cl.** ..... **D19/56; D19/54**

[58] **Field of Search** ..... D19/35, 36, 41-51, D19/53-58, 81-85; 401/99, 104, 105, 106, 243-247; 24/10 R, 11 R, 11 PP, 11 CC, 11 HC

[56] **References Cited**

**U.S. PATENT DOCUMENTS**

D. 088,821	12/1932	Platt et al. ....	D19/56
D. 273,017	3/1984	Bertrac .....	D19/49
D. 285,936	9/1986	Booker et al. ....	D19/51
D. 330,217	10/1992	Booker .....	D19/48
D. 338,491	8/1993	Hollington .....	D19/50
D. 355,439	2/1995	Hollington .....	D19/43
D. 362,269	9/1995	Hollington .....	D19/51
D. 372,048	7/1996	Hollington .....	D19/43
D. 378,763	4/1997	Hollington .....	D19/51
4,380,403	4/1983	Endres et al. ....	401/213
4,558,966	12/1985	Mikufelt .....	401/213
4,643,605	2/1987	Iwasaki .....	401/243
4,717,275	1/1988	Burkhardt, Jr. ....	401/104

4,837,900	6/1989	Boyce et al. ....	24/11 P
4,844,642	7/1989	Inaba et al. ....	401/213
4,990,015	2/1991	Perrin .....	401/243
5,066,156	11/1991	Petrillo et al. ....	401/213
5,127,754	7/1992	Mase .....	401/202
5,186,564	2/1993	Furhmann, III et al. ....	401/202
5,441,356	8/1995	Cho .....	401/247

**FOREIGN PATENT DOCUMENTS**

1 915 566	10/1970	Germany .....	70/12
33 43 001 A1	6/1985	Germany .....	B43K 23/00
208239	6/1993	Japan .....	B43K 9/00
2 067 960	8/1981	United Kingdom .....	B43K 9/00

*Primary Examiner*—Martie K. Holtje  
*Attorney, Agent, or Firm*—David A. Howley

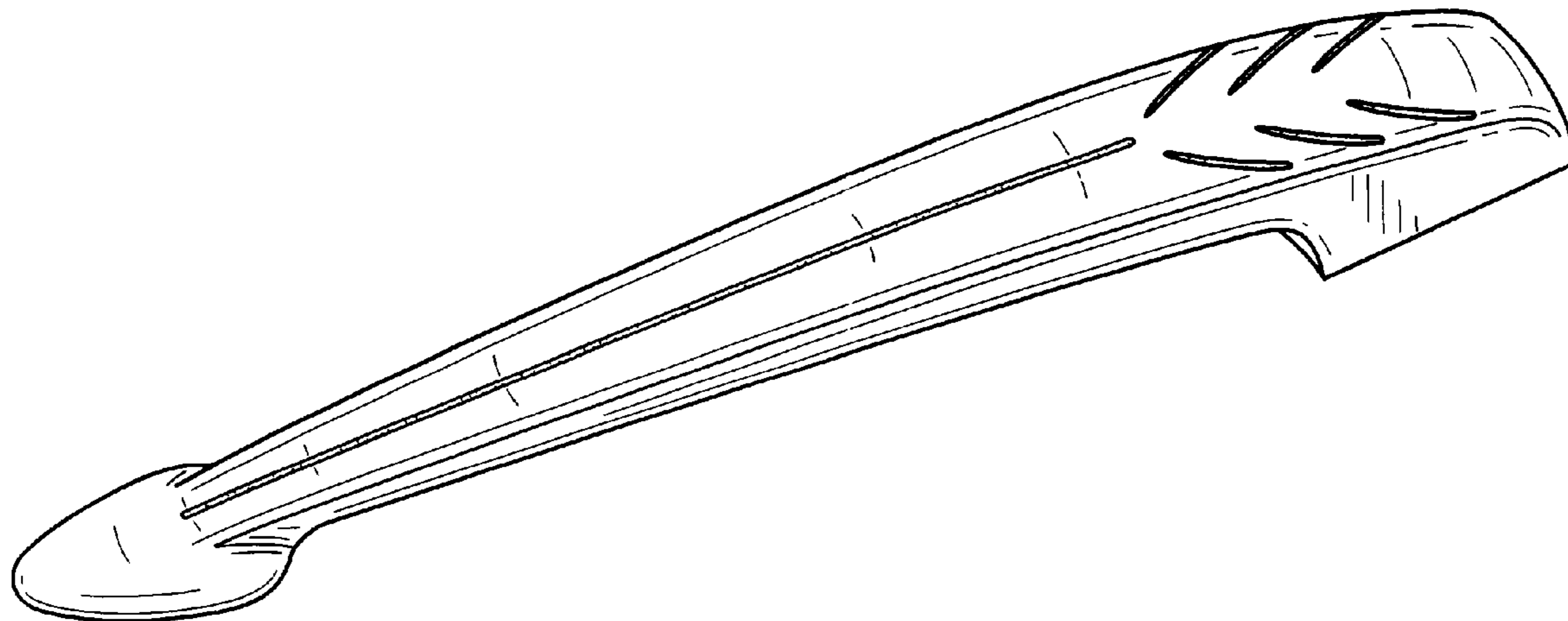
[57] **CLAIM**

The ornamental design for a clip for a writing instrument, as shown and described.

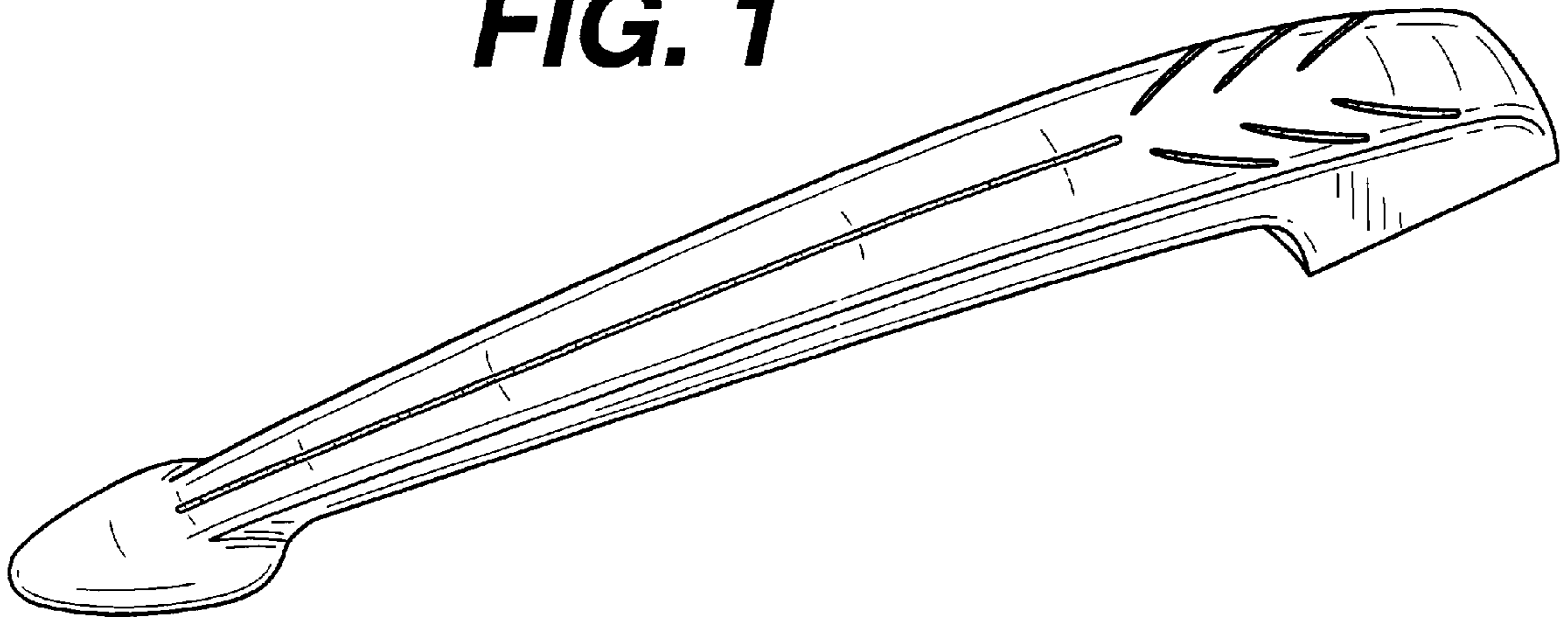
**DESCRIPTION**

FIG. 1 is a perspective view as seen from the top, front and right side of a clip for a writing instrument showing our new design;  
FIG. 2 is a front elevational view thereof;  
FIG. 3 is a rear elevational view thereof;  
FIG. 4 is a top plan view thereof;  
FIG. 5 is a left side elevational view thereof, the right side elevation being a mirror image thereof;  
FIG. 6 is a bottom plan view thereof; and,  
FIG. 7 is a perspective view thereof, the broken line representation shown for environmental purposes only and does not constitute a part of the claimed design.

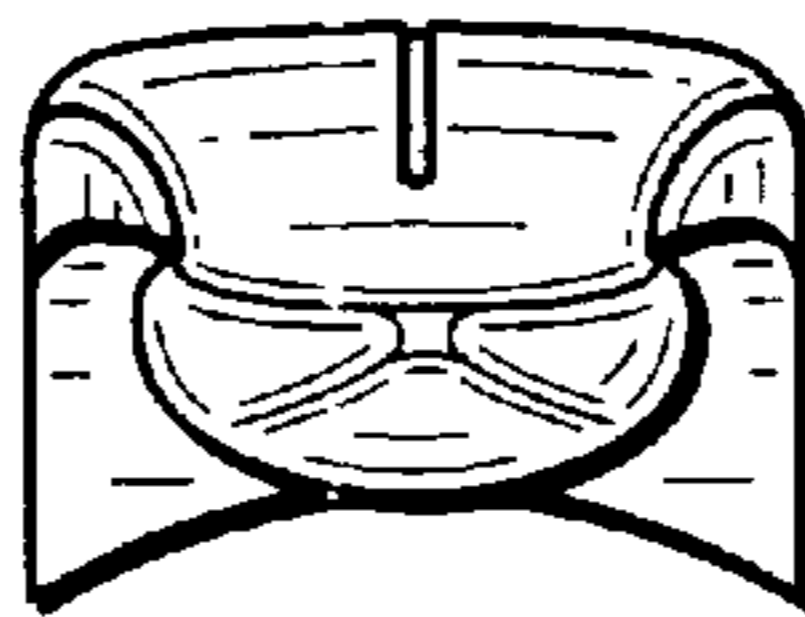
**1 Claim, 3 Drawing Sheets**



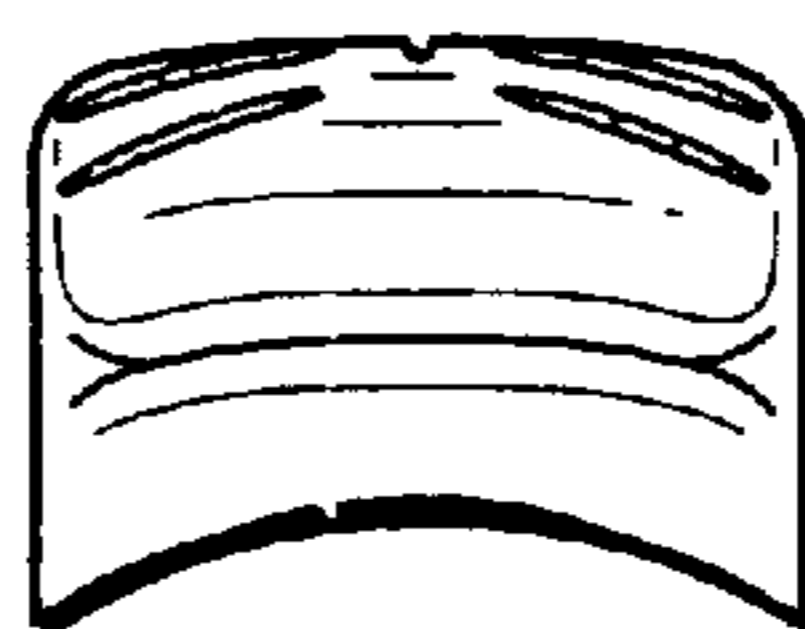
**FIG. 1**



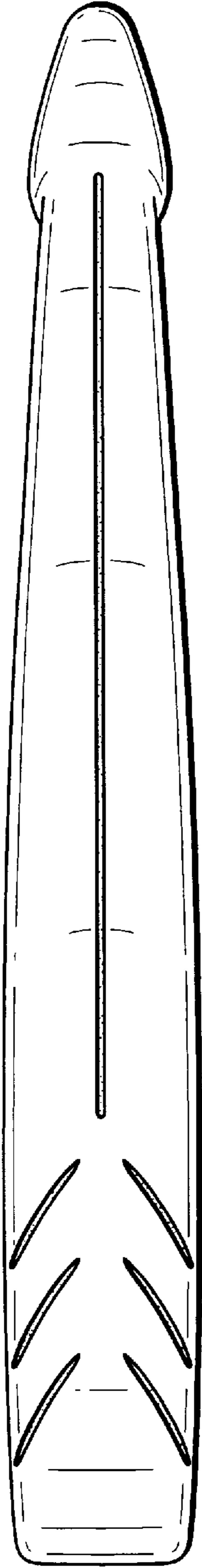
**FIG. 2**



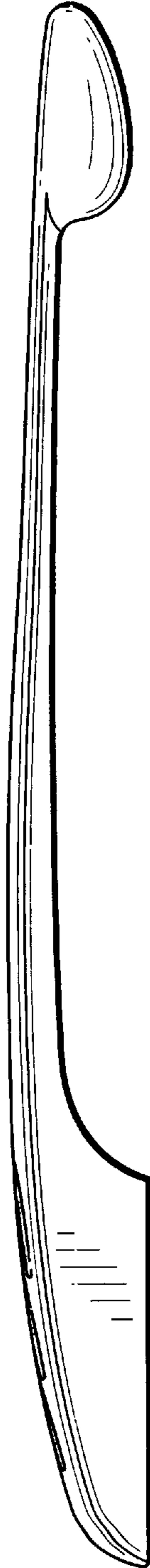
**FIG. 3**



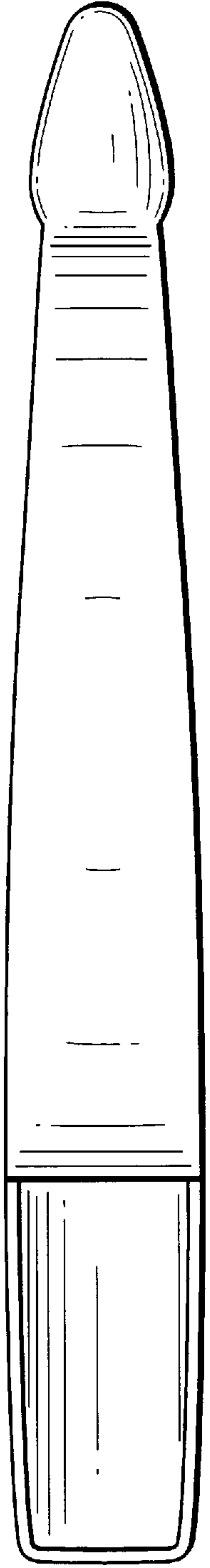
**FIG. 4**

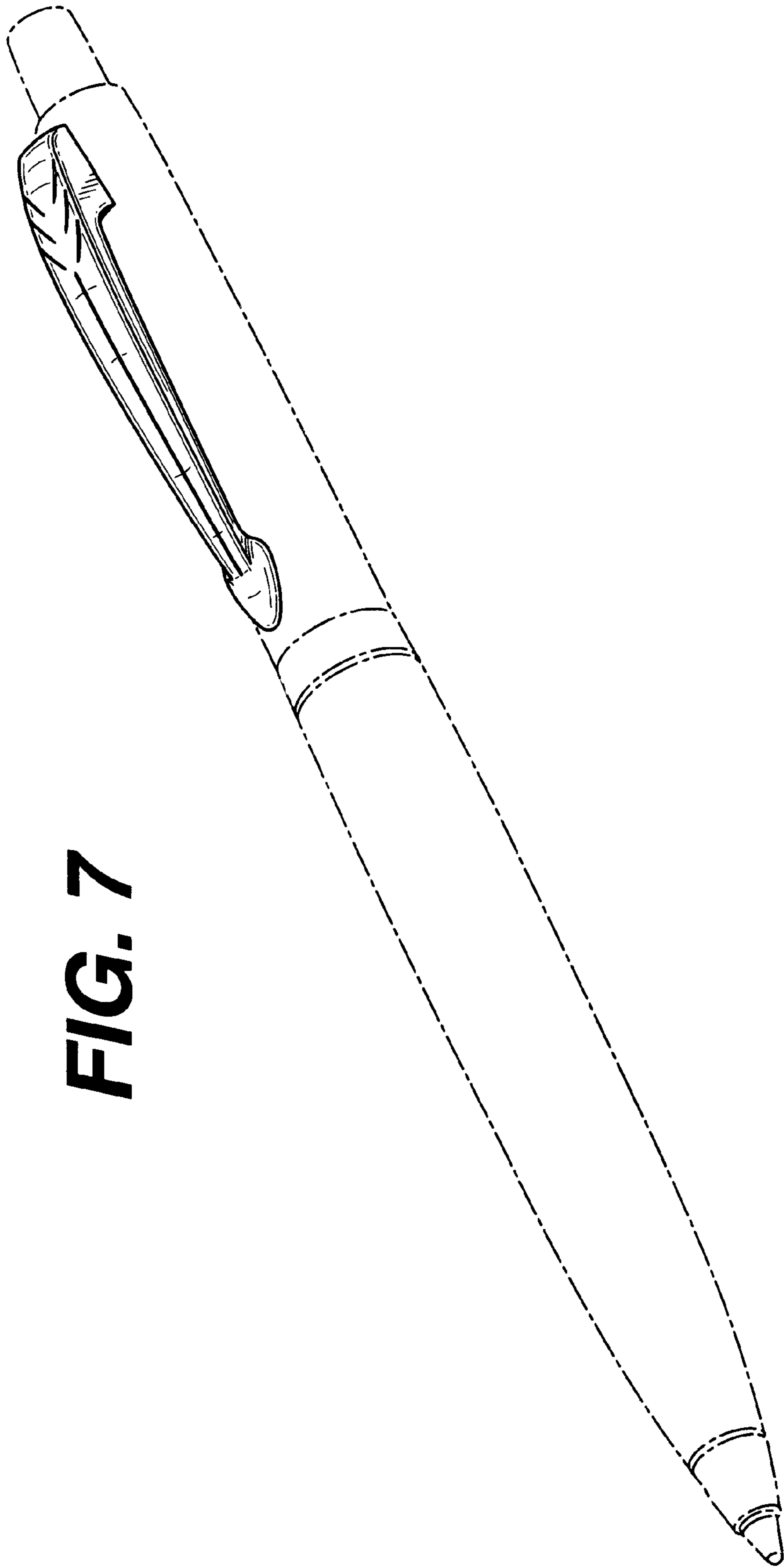


**FIG. 5**



**FIG. 6**





**FIG. 7**