



US00D416579S

# United States Patent [19]

Andrews et al.

[11] **Patent Number: Des. 416,579**

[45] **Date of Patent: \*\* Nov. 16, 1999**

[54] **CLIP FOR A WRITING INSTRUMENT**

[75] Inventors: **Neville Andrews**, Acton, Mass.; **Frank Polidoro**, Cumberland, R.I.

[73] Assignee: **Parker Pen Products**, Isleworth Middlesex, United Kingdom

[\*\*] Term: **14 Years**

[21] Appl. No.: **29/093,931**

[22] Filed: **Sep. 22, 1998**

[51] **LOC (6) Cl.** ..... **19-06**

[52] **U.S. Cl.** ..... **D19/56; D19/54**

[58] **Field of Search** ..... D19/35, 36, 41-51, D19/53-58, 81-85; 401/99, 104, 105, 106, 243-247; 24/10 R, 11 R, 11 PP, 11 CC, 11 HC

[56] **References Cited**

**U.S. PATENT DOCUMENTS**

D. 104,686	5/1937	Iannelli	.....	D19/56
D. 114,095	4/1939	Weisser	.....	D19/56
D. 135,890	6/1943	Kahn	.....	D19/56
D. 191,077	8/1961	Lovejoy	.....	D19/56
D. 330,217	10/1992	Booker	.....	D19/48
4,380,403	4/1983	Endres et al.	.....	401/213
4,558,966	12/1985	Mikufeit	.....	401/213
4,643,605	2/1987	Iwasaki	.....	401/243
4,717,275	1/1988	Burkhardt, Jr.	.....	401/104
4,837,900	6/1989	Boyce et al.	.....	24/11 P
4,844,642	7/1989	Inaba et al.	.....	401/213

4,990,015	2/1991	Perrin	.....	401/243
5,066,156	11/1991	Petrillo et al.	.....	401/213
5,127,754	7/1992	Mase	.....	401/202
5,186,564	2/1993	Furhmann, III et al.	.....	401/202
5,441,356	8/1995	Cho	.....	401/247

**FOREIGN PATENT DOCUMENTS**

1 915 566	10/1970	Germany	.....	70/12
33 43 001 A1	6/1985	Germany	.....	B43K 23/00
208239	6/1993	Japan	.....	B43K 9/00
2 067 960	8/1981	United Kingdom	.....	B43K 9/00

*Primary Examiner*—Martie K. Holtje  
*Attorney, Agent, or Firm*—David A. Howley

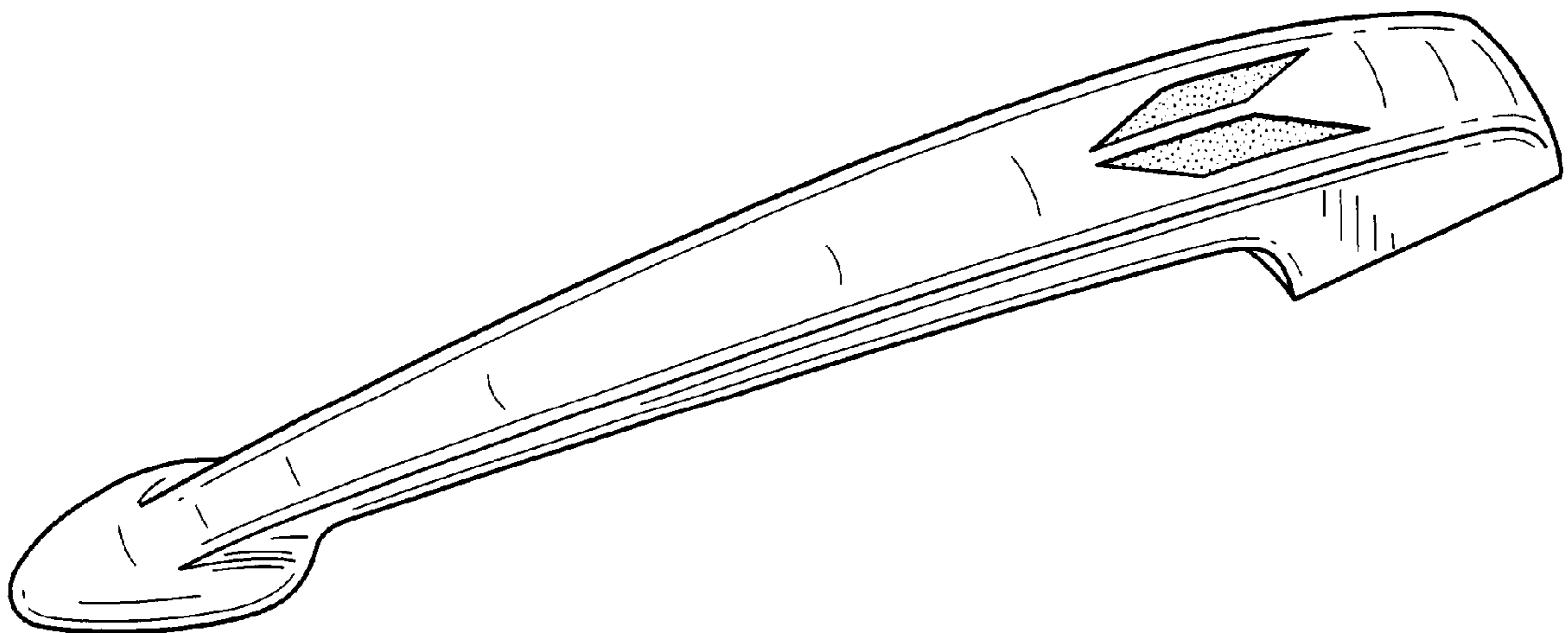
[57] **CLAIM**

The ornamental design for a clip for a writing instrument, as shown and described.

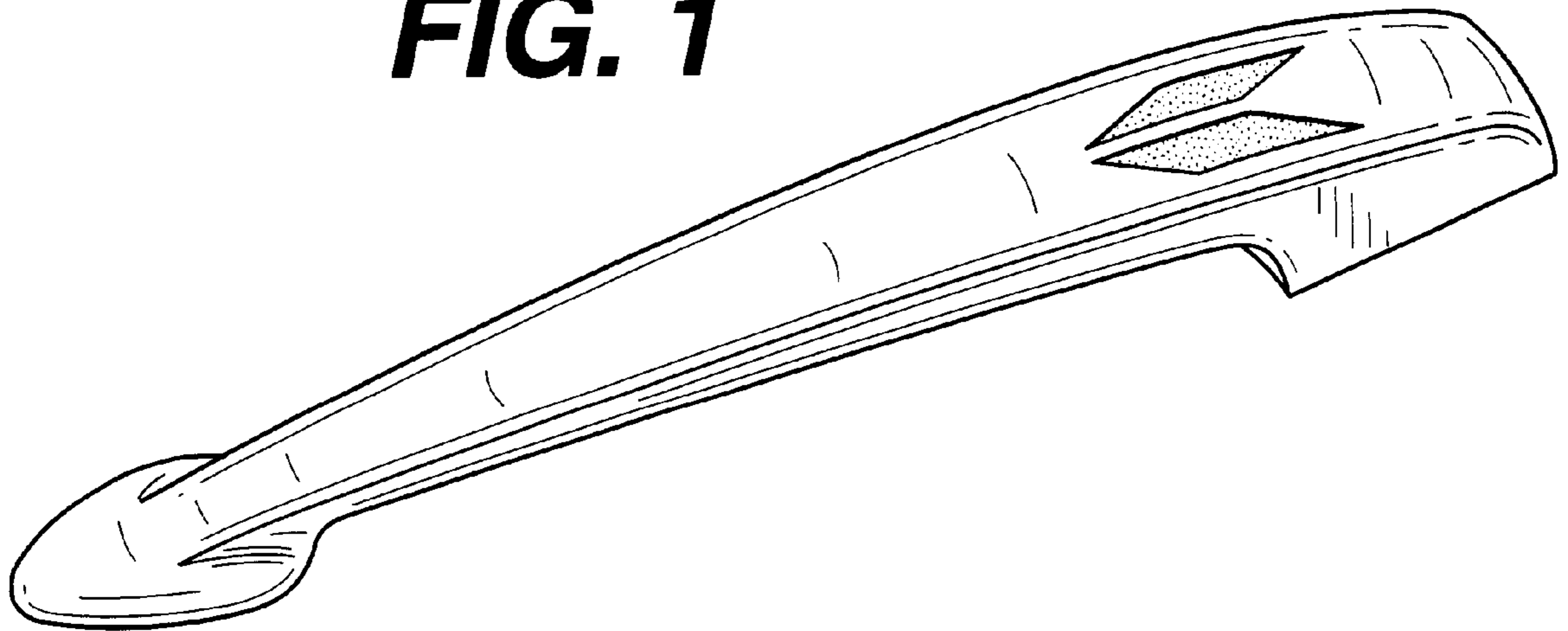
**DESCRIPTION**

FIG. 1 is a perspective view as seen from the top, front and right side of a clip for a writing instrument showing our new design;  
FIG. 2 is a front elevational view thereof;  
FIG. 3 is a rear elevational view thereof;  
FIG. 4 is a top plan view thereof;  
FIG. 5 is a left side elevational view thereof, the right side elevation being a mirror image thereof;  
FIG. 6 is a bottom plan view thereof; and,  
FIG. 7 is a perspective view thereof, the broken line representation shown for environmental purposes only and does not constitute a part of the claimed design.

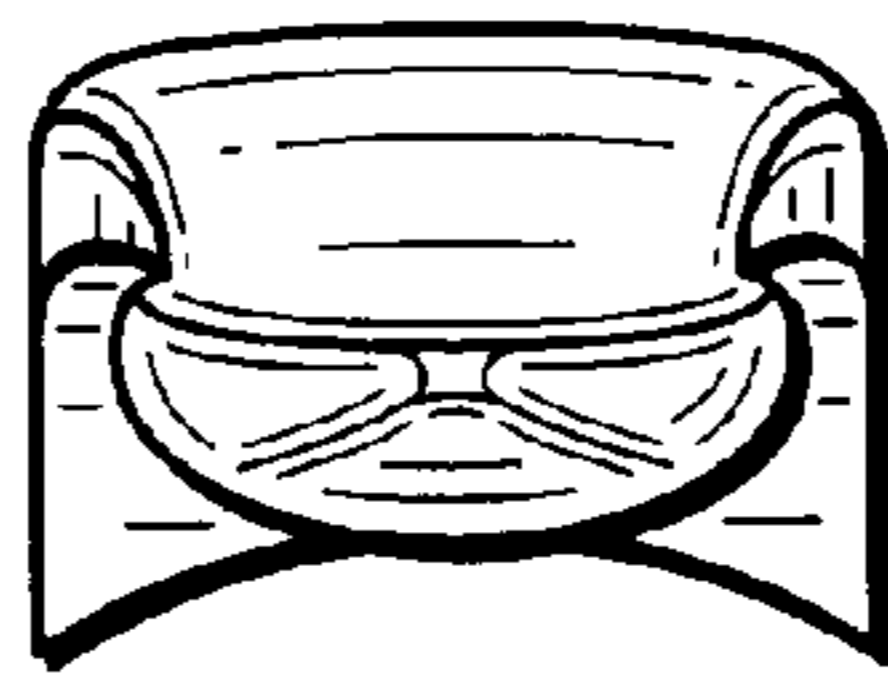
**1 Claim, 3 Drawing Sheets**



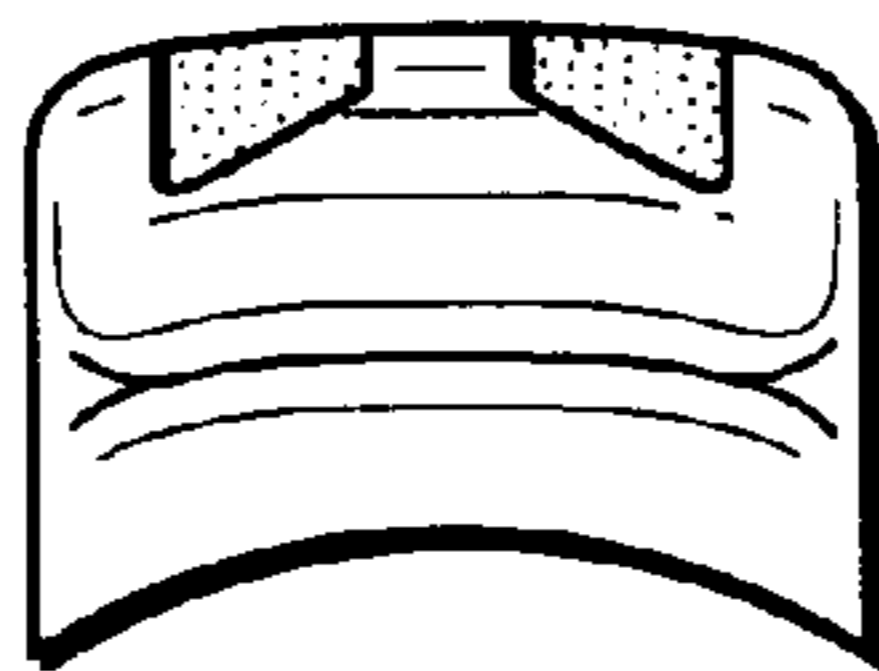
**FIG. 1**



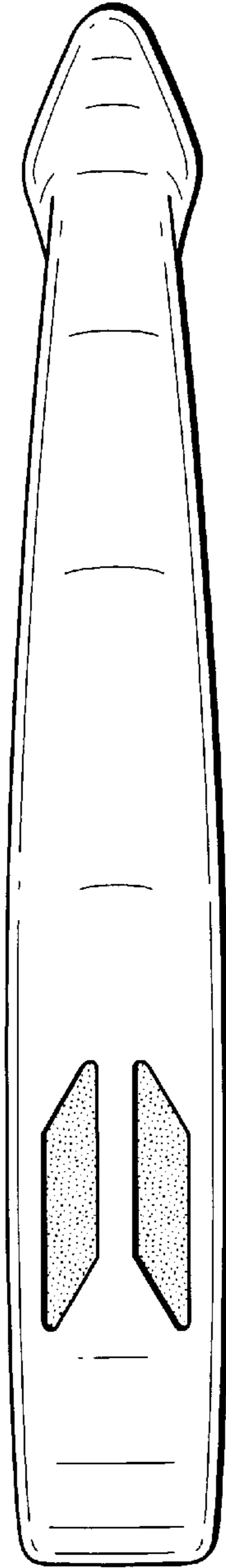
**FIG. 2**



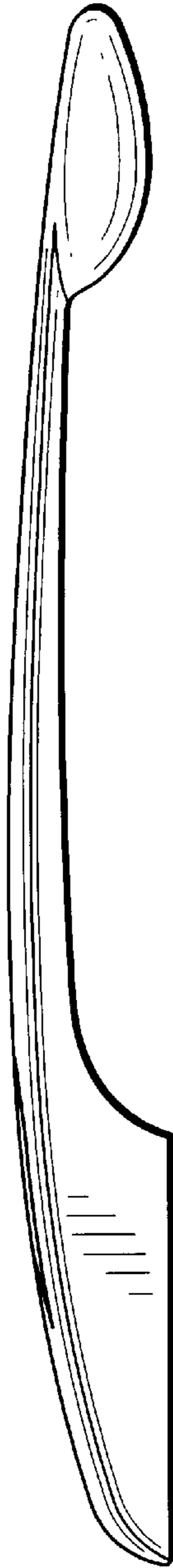
**FIG. 3**



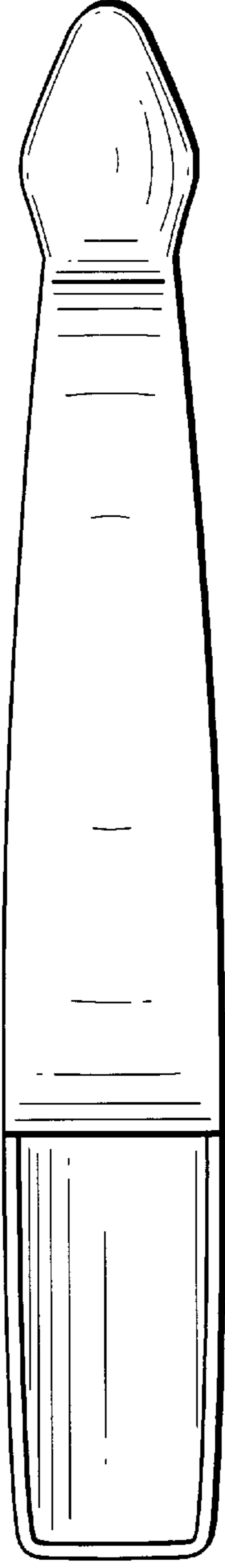
**FIG. 4**

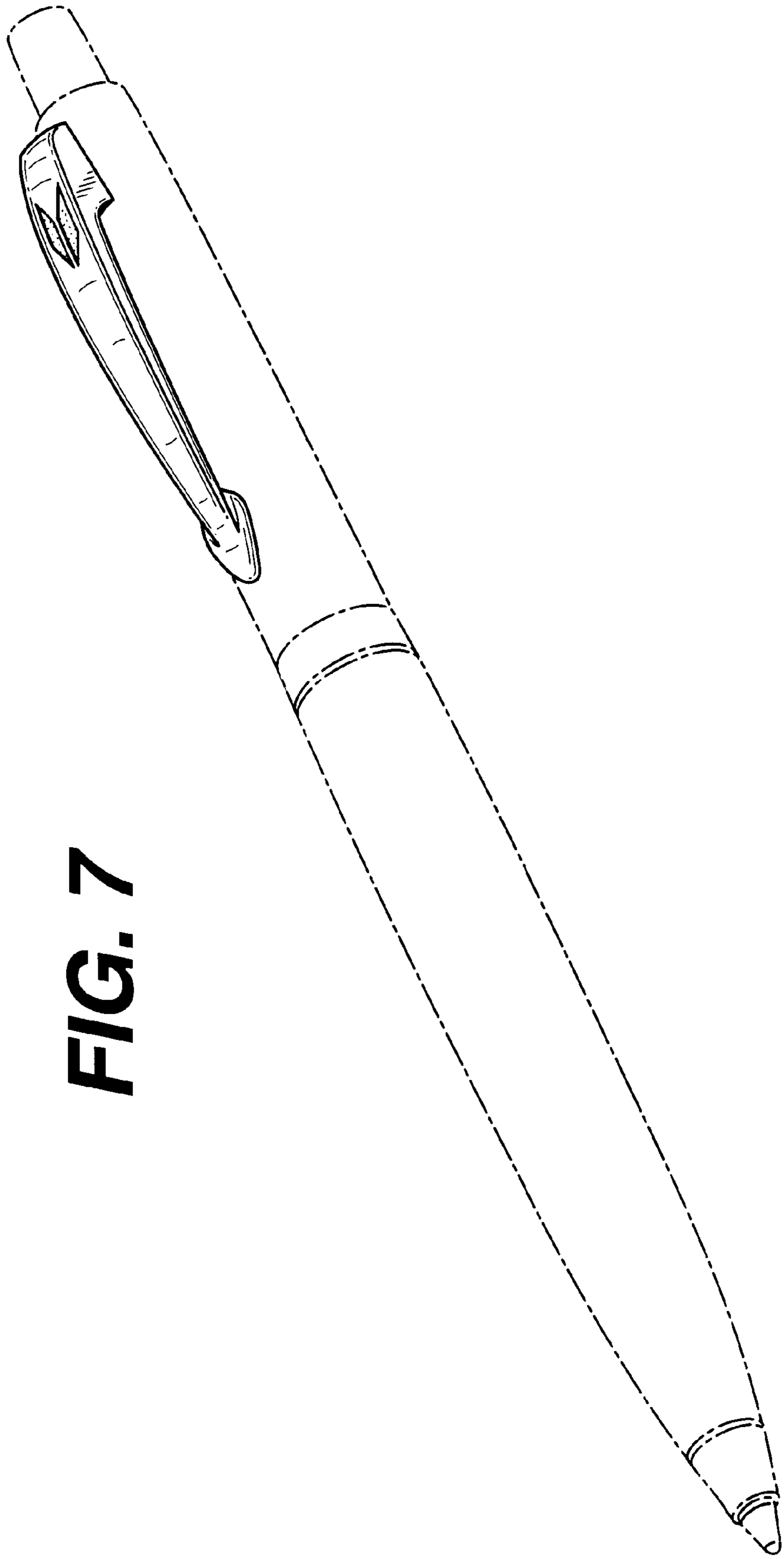


**FIG. 5**



**FIG. 6**





**FIG. 7**