



US00D416578S

United States Patent [19]

Paras et al.

[11] **Patent Number: Des. 416,578**

[45] **Date of Patent: ** Nov. 16, 1999**

[54] **PEN HOUSING**

[76] Inventors: **Anthony Paras**, 149 W. 4th St., New York, N.Y. 10012; **Elizabeth Bell**, 18 Lexington Ave., New York, N.Y. 10010

[**] Term: **14 Years**

[21] Appl. No.: **29/100,845**

[22] Filed: **Feb. 19, 1999**

D. 308,395	6/1990	Mori	D19/42
D. 368,114	3/1996	Hyvonen	D19/42
D. 369,830	5/1996	Hadtke	D19/46
3,297,003	1/1967	Benson	401/195 X
4,217,712	8/1980	Koeln	401/52

Primary Examiner—Martie K. Holtje
Attorney, Agent, or Firm—Edwin H. Keusey

[57] CLAIM

The ornamental design for a pen housing, as shown and described.

Related U.S. Application Data

[63] Continuation-in-part of application No. 08/997,053, Oct. 17, 1997, abandoned, which is a continuation of application No. 08/611,224, Mar. 5, 1996, abandoned.

[51] **LOC (6) Cl.** **19-06**

[52] **U.S. Cl.** **D19/51; D19/46; D19/54**

[58] **Field of Search** D19/35, 36, 41-51, D19/53, 54, 55-58, 81-85; 401/6, 7, 88, 209, 52, 195

DESCRIPTION

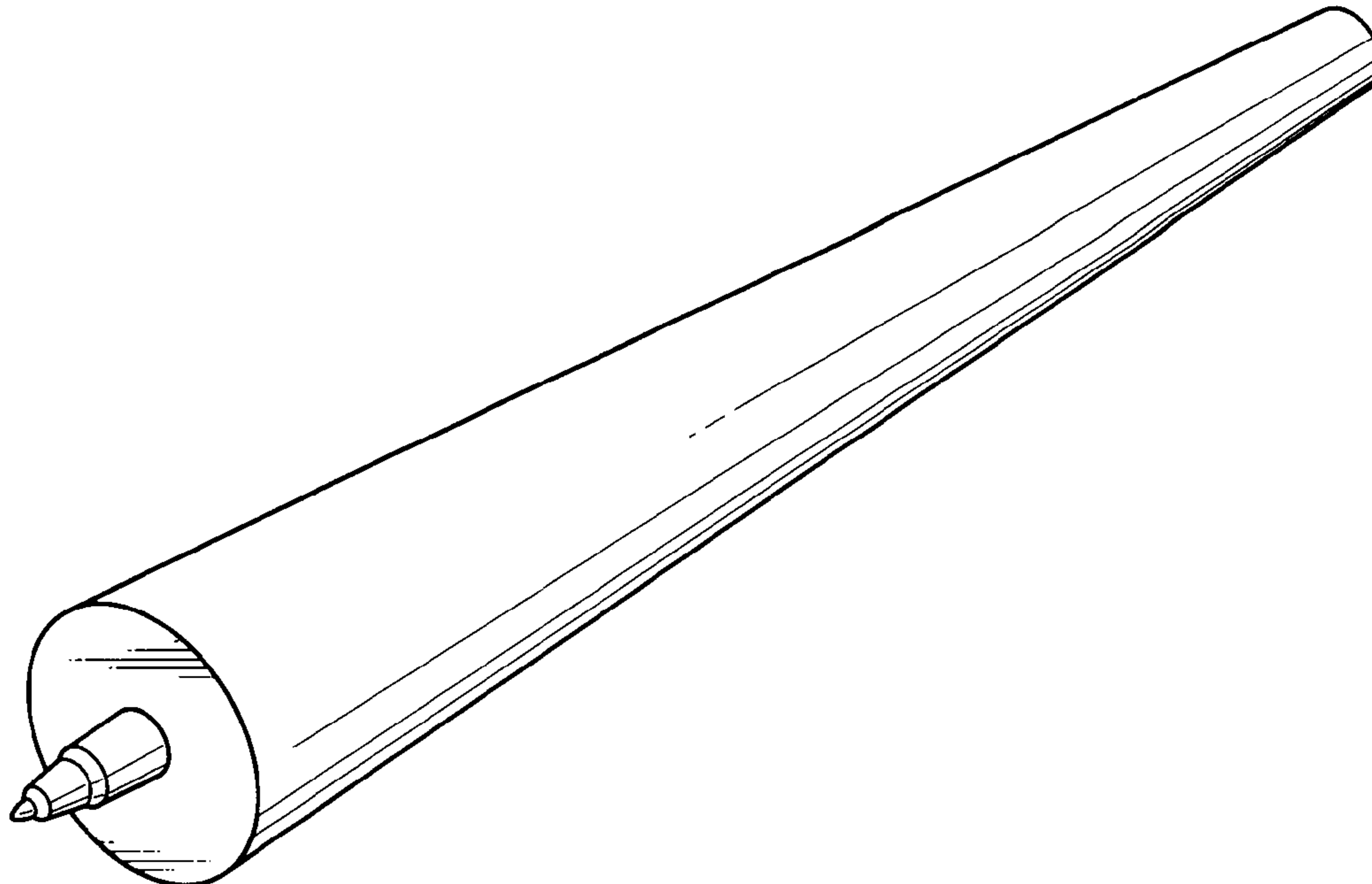
FIG. 1 is a perspective view of a pen housing, showing one embodiment of our new design;
 FIG. 2 is a top plan view thereof;
 FIG. 3 is a bottom plan view thereof;
 FIG. 4 is a front elevational view thereof, the rear elevational and top elevational and bottom elevational views being identical;
 FIG. 5 is a perspective view of a pen housing, showing another embodiment of our new design;
 FIG. 6 is a top plan view thereof;
 FIG. 7 is a bottom plan view thereof; and,
 FIG. 8 is a front elevational view thereof, the rear elevational, top elevational and bottom elevational views being identical.

References Cited

U.S. PATENT DOCUMENTS

D. 187,255	2/1960	Sams et al.	D19/51 X
D. 188,575	8/1960	Zierhut	D19/51
D. 191,342	9/1961	Fuchs	D19/51
D. 228,033	7/1973	Jenkins	D19/46

1 Claim, 2 Drawing Sheets



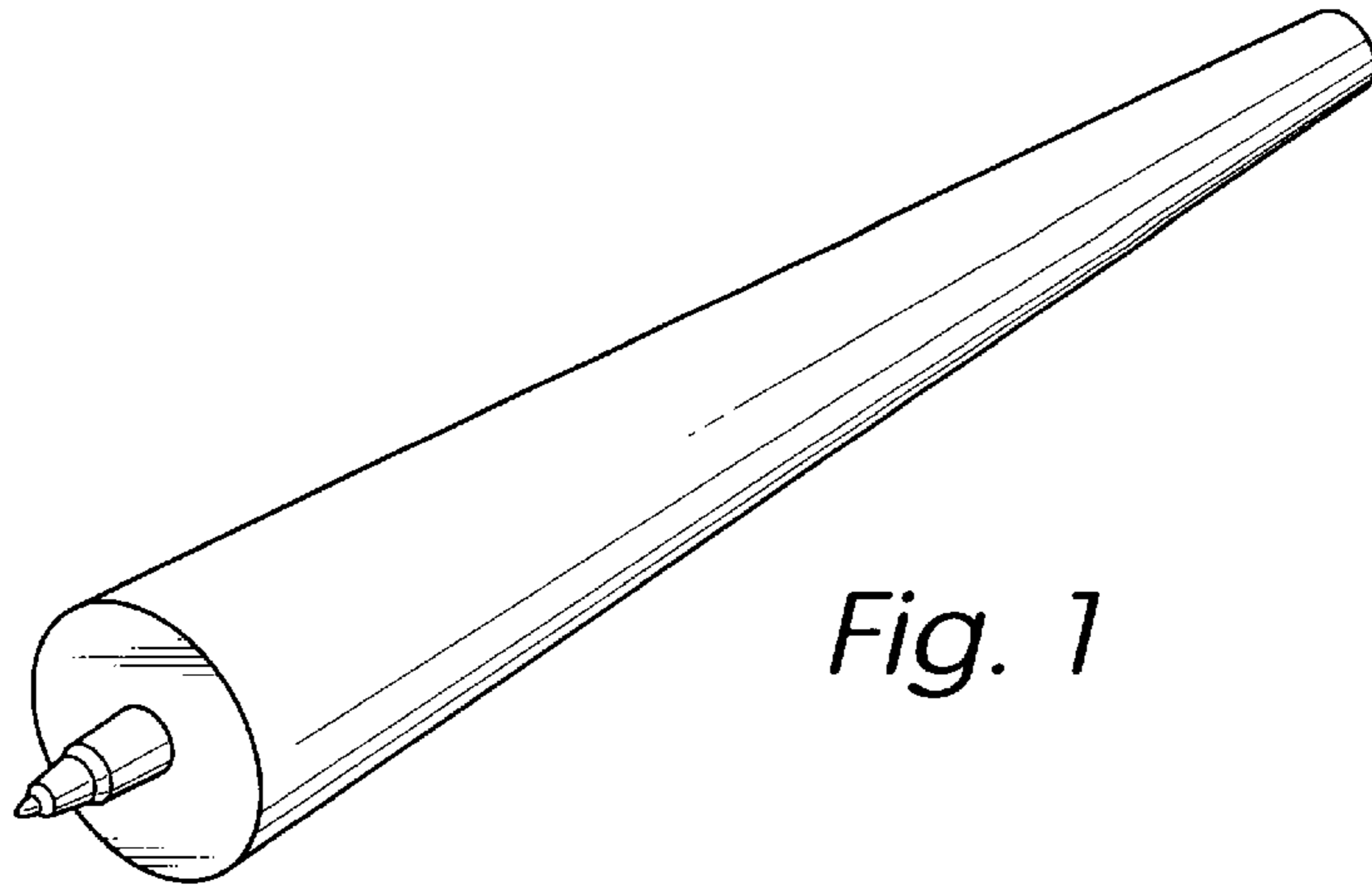


Fig. 1

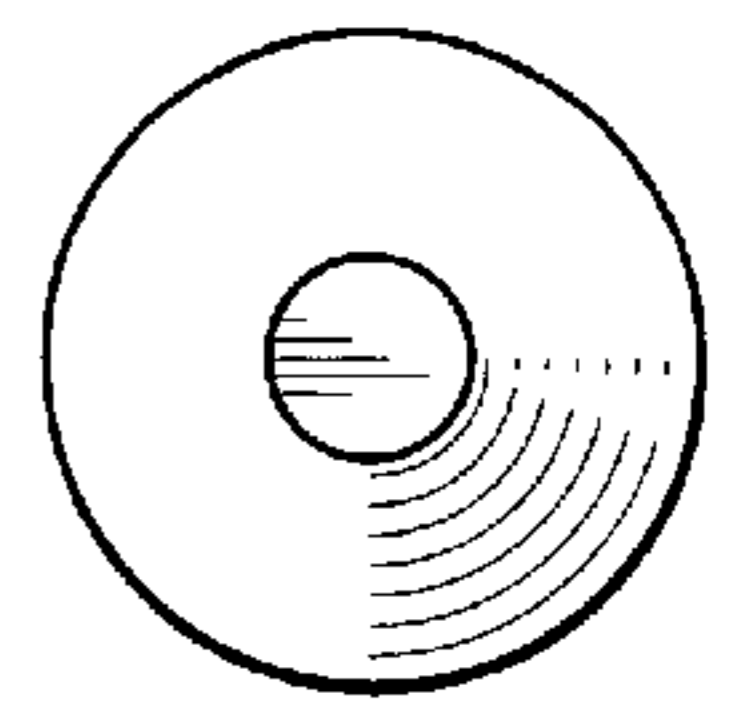


Fig. 2

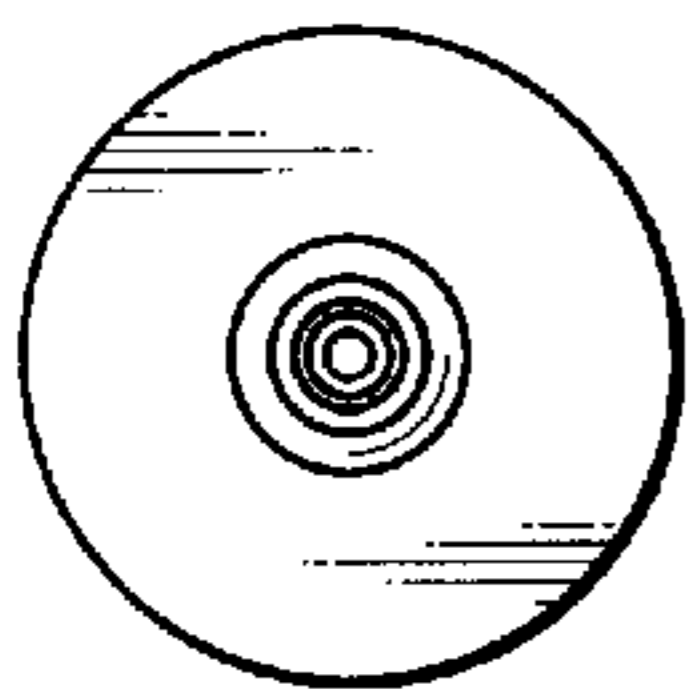


Fig. 3



Fig. 4

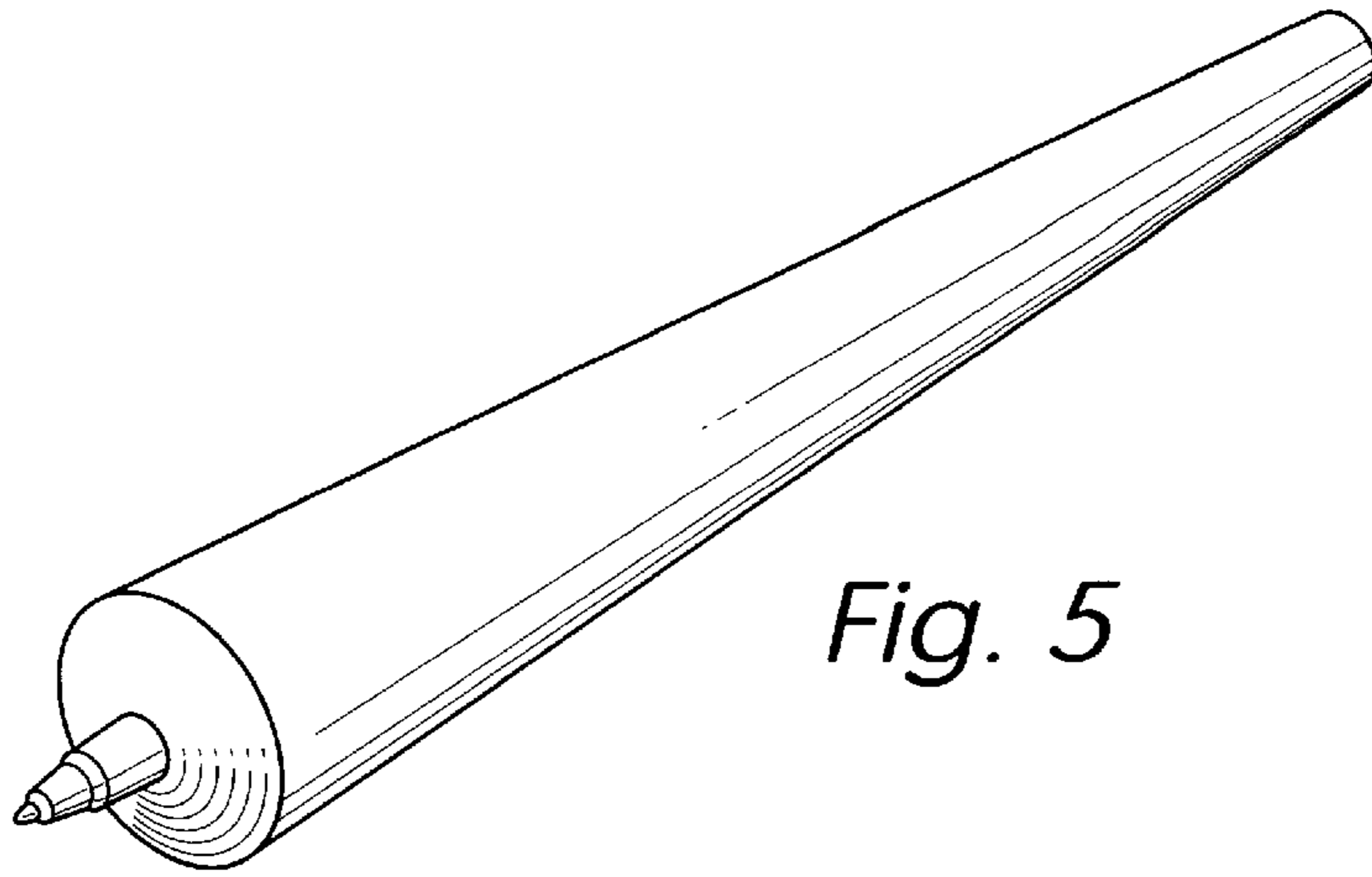


Fig. 5

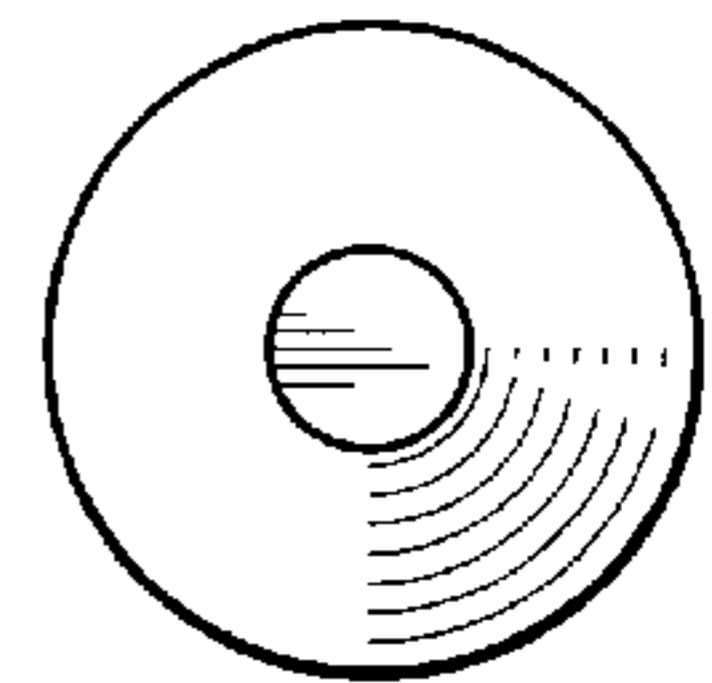


Fig. 6

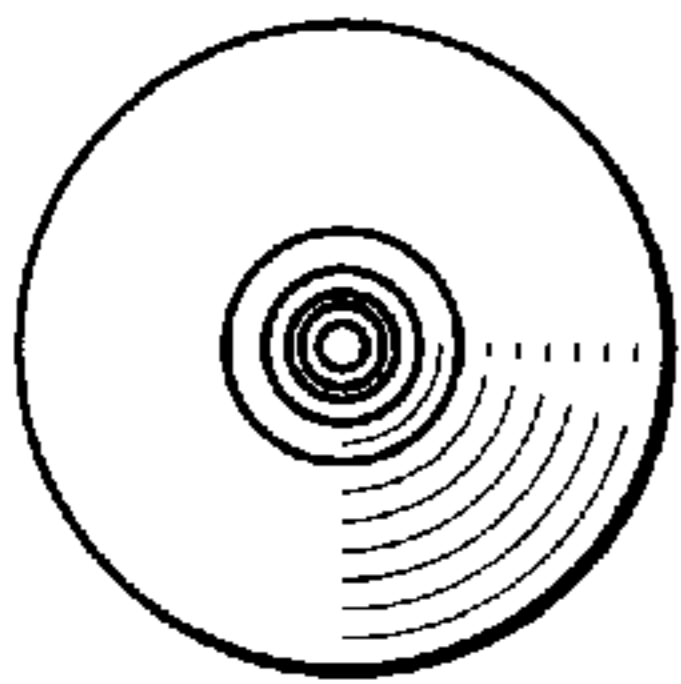


Fig. 7

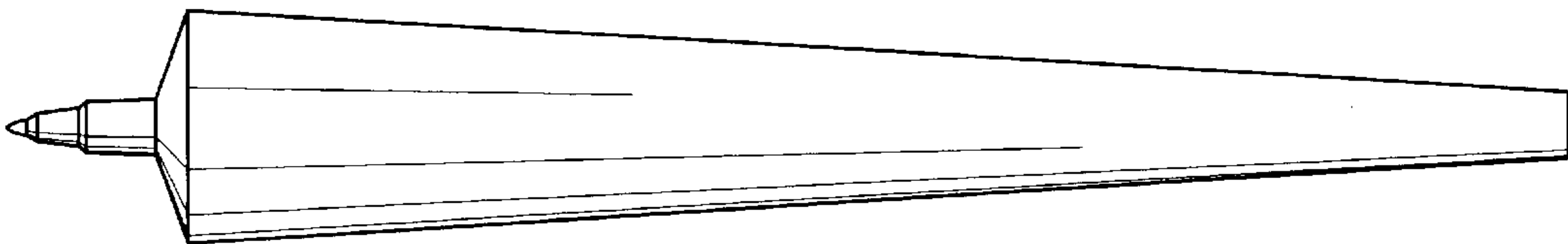


Fig. 8