



US00D416576S

# United States Patent [19] Briggl

[11] Patent Number: **Des. 416,576**

[45] Date of Patent: **\*\* Nov. 16, 1999**

[54] **WRITING UTENSIL WITH SLANTED TIP**

[75] Inventor: **Hariolf Briggl**, Boebingen, Germany

[73] Assignee: **Merz & Krell GmbH & Co.**, Germany

[\*\*] Term: **14 Years**

[21] Appl. No.: **29/085,705**

[22] Filed: **Mar. 27, 1998**

### [30] Foreign Application Priority Data

Sep. 29, 1997 [DE] Germany ..... M 97 09 421

[51] **LOC (6) Cl.** ..... **19-06**

[52] **U.S. Cl.** ..... **D19/48; D19/51**

[58] **Field of Search** ..... D19/35, 36, 41,  
D19/42, 43, 44-51, 53-58, 81-85; 401/196,  
202, 221, 243-247, 209, 261

### [56] References Cited

#### U.S. PATENT DOCUMENTS

D. 198,348	6/1964	Fehling et al. ....	D19/51
D. 202,153	8/1965	Fehling et al. ....	D19/51
D. 212,866	12/1968	Perraud .....	D19/51
D. 234,471	3/1975	Carre .....	D19/51
D. 234,912	4/1975	Ito .....	D19/48
D. 254,912	5/1980	Ito .....	D19/48
D. 263,482	3/1982	Carre .....	D19/51
D. 273,144	3/1984	Jankewitz .....	D19/51 X
D. 280,420	9/1985	Varhaegue .....	D19/48
D. 280,422	9/1985	Booker et al. ....	D19/51 X
D. 280,737	9/1985	Verhaegue .....	D19/48
D. 339,607	9/1993	White et al. ....	D19/48
D. 392,316	3/1998	Verhaegue .....	D19/49
3,678,521	7/1972	Anderws et al. ....	7/138
3,972,630	8/1976	Schenk .....	401/217

#### FOREIGN PATENT DOCUMENTS

0170426	2/1986	European Pat. Off. .
1032122	6/1953	France .
1458917	11/1966	France .

2151240	4/1973	France .
DM006340	1/1986	France .
DM012466	12/1988	France .
DM019054	3/1991	France .
871258	3/1953	Germany .
879811	6/1953	Germany .
902352	1/1954	Germany .
1293650	4/1969	Germany .
7623992	7/1976	Germany .
2608312	9/1976	Germany .
WO97/22482	6/1997	WIPO .

### OTHER PUBLICATIONS

Scriptum Catalog Feb. 1996, Clippologie article, pp. 86-93.  
 Scriptum Catalog, Mar. 1998, Rotring, Model Titenkuli, p. 44.  
 Rotring Catalog 1998, Model Xonox, p. 35.  
 Waterman Catalog, 1996, pp. 3-45.  
 Fountain Pens, Vintage & Modern, 1989 Andreas Lambrou, pp. 181-183; pen #254 on picture 57.  
 Fountain Pens, Vintage and Modern, 1989 Andreas Lambrou, portion United Kingdom, p. 103 and pictureIII.

*Primary Examiner*—Martie K. Holtje  
*Attorney, Agent, or Firm*—Duane, Morris & Heckscher LLP

### [57] CLAIM

The ornamental design for a writing utensil with slanted tip, as shown and described.

### DESCRIPTION

FIG. 1 is a front elevational view of a writing utensil with slanted tip according to my new design;  
 FIG. 2 is a right side elevational view of the utensil shown in FIG. 1;  
 FIG. 3 is a left side elevational view thereof;  
 FIG. 4 is a rear elevational view thereof;  
 FIG. 5 is a top plan view thereof;  
 FIG. 6 is a bottom plan view thereof;  
 FIG. 7 is a left front perspective view thereof; and,  
 FIG. 8 is a right rear perspective elevational view thereof.

**1 Claim, 2 Drawing Sheets**

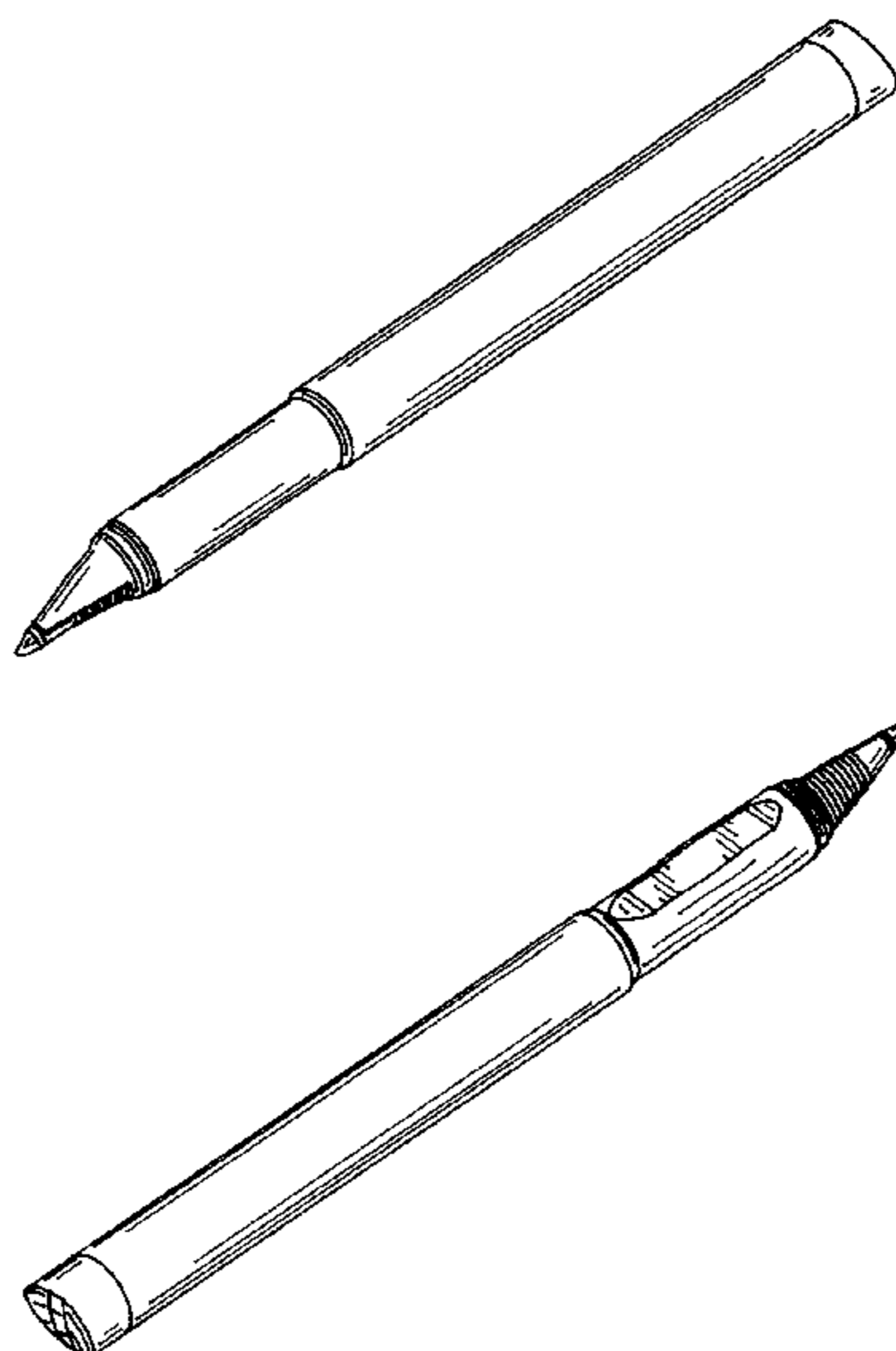




FIG. 6



FIG. 2

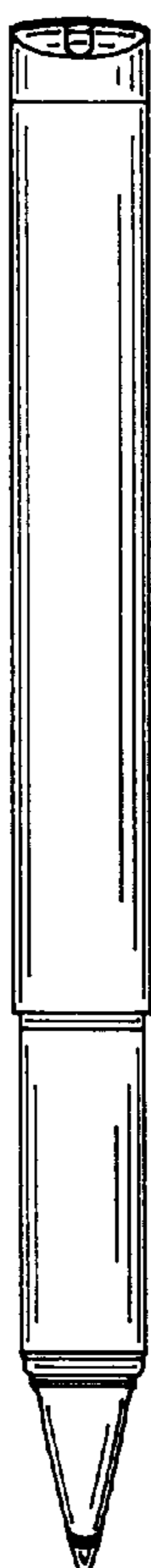


FIG. 1

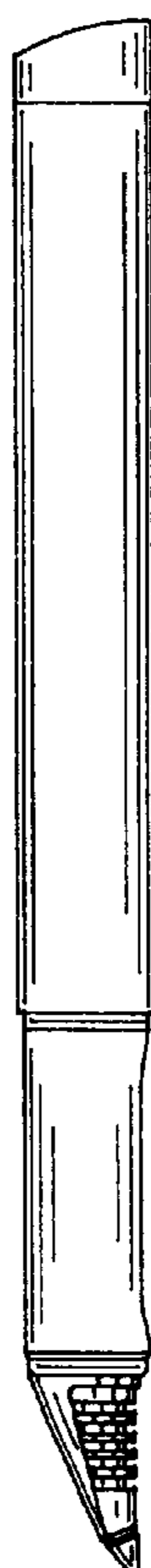


FIG. 3



FIG. 4



FIG. 5

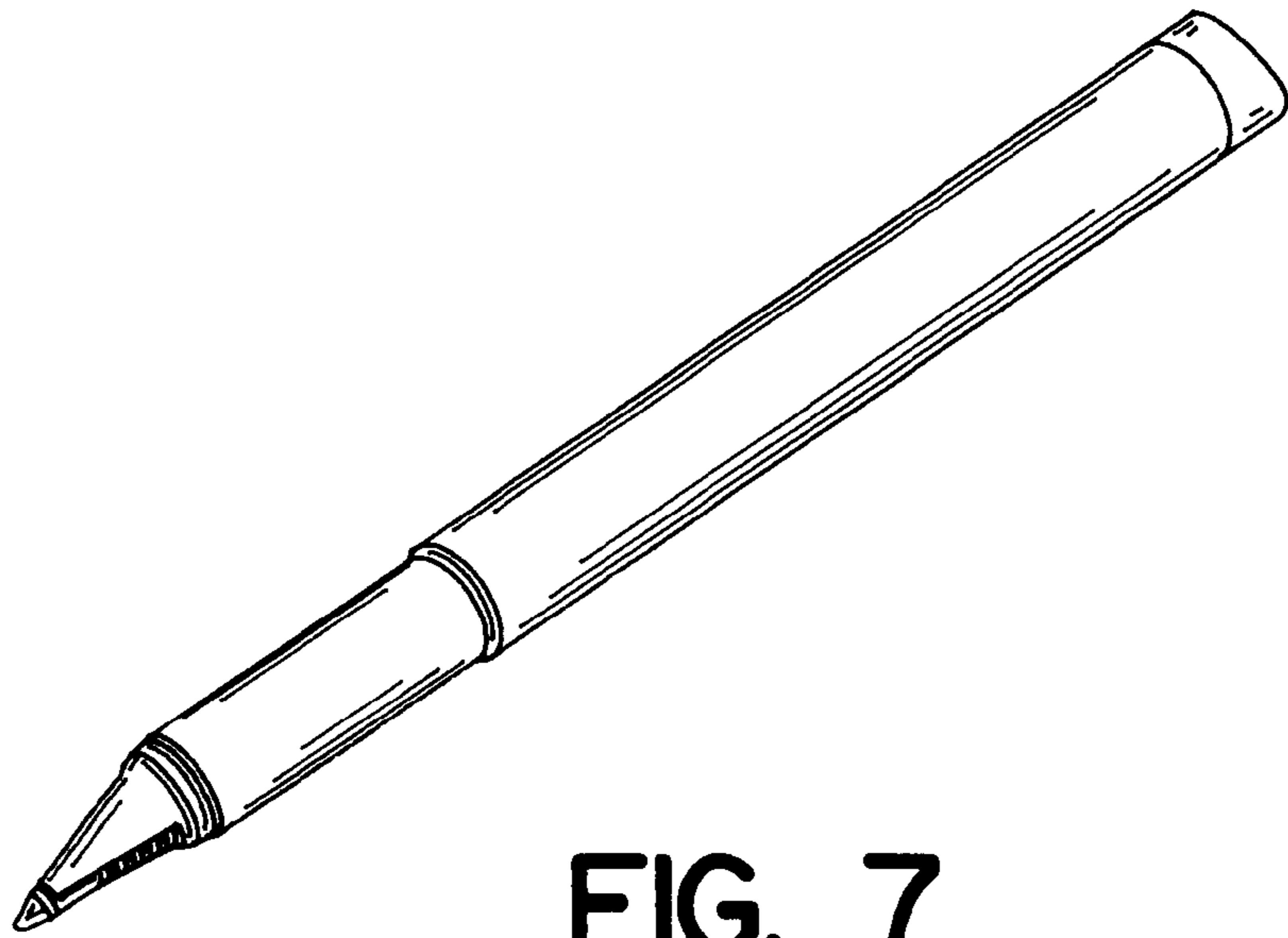


FIG. 7

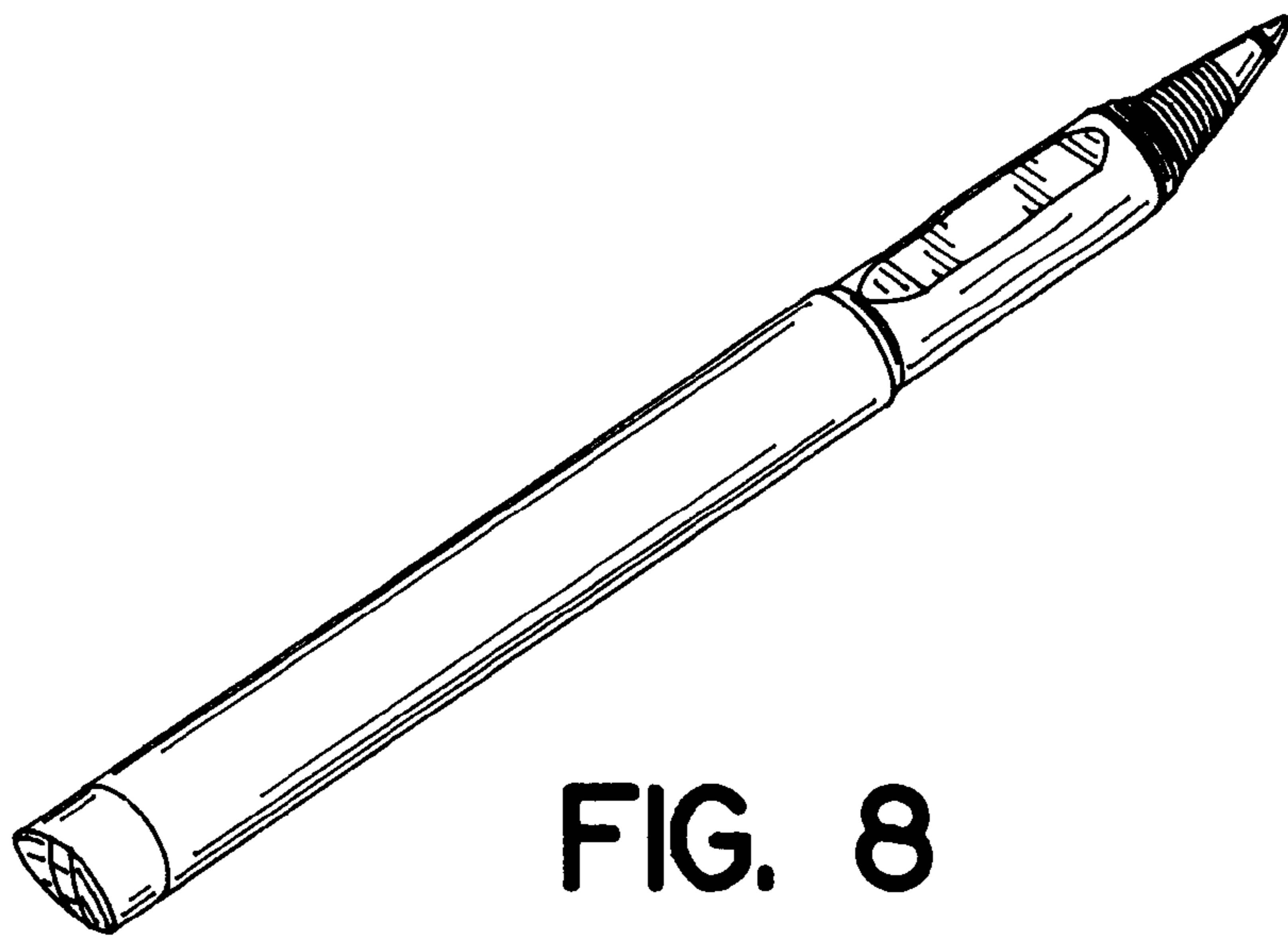


FIG. 8