



US00D416572S

United States Patent [19]

Ishida et al.

[11] Patent Number: **Des. 416,572**

[45] Date of Patent: **** Nov. 16, 1999**

[54] **PRINTER FOR ELECTRONIC COMPUTER**

[75] Inventors: **Hideki Ishida; Junichi Suzuki; Yutaka Shoji; Hiroshi Takahagi**, all of Hitachinaka, Japan

[73] Assignee: **Hitachi Koki Co., Ltd.**, Tokyo, Japan

[**] Term: **14 Years**

[21] Appl. No.: **29/085,799**

[22] Filed: **Mar. 31, 1998**

[30] **Foreign Application Priority Data**

Oct. 3, 1997 [JP] Japan 9-70245

[51] **LOC (6) Cl.** **18-02**

[52] **U.S. Cl.** **D18/53**

[58] **Field of Search** D18/53-56, 37-40, D18/44, 36; D6/432, 440, 445, 446; D14/100, 102; 400/690-694, 690.1-690.4, 613, 613.1-613.4; 399/107, 391-399, 361, 367, 381

[56] **References Cited**

U.S. PATENT DOCUMENTS

D. 195,203 5/1963 Bozarth D18/53

- D. 210,425 3/1968 Jerabek D18/39
- D. 213,596 3/1969 Sheppley D18/38
- D. 286,051 10/1986 Nakano et al. D18/53
- D. 314,008 1/1991 Takahasidi et al. D18/56
- D. 318,479 7/1991 Nishiseko et al. D18/39
- D. 399,523 10/1998 Takenouchi D18/36

Primary Examiner—Louis S. Zarfaz
Assistant Examiner—Greg Andoll
Attorney, Agent, or Firm—Whitham, Curtis & Whitham

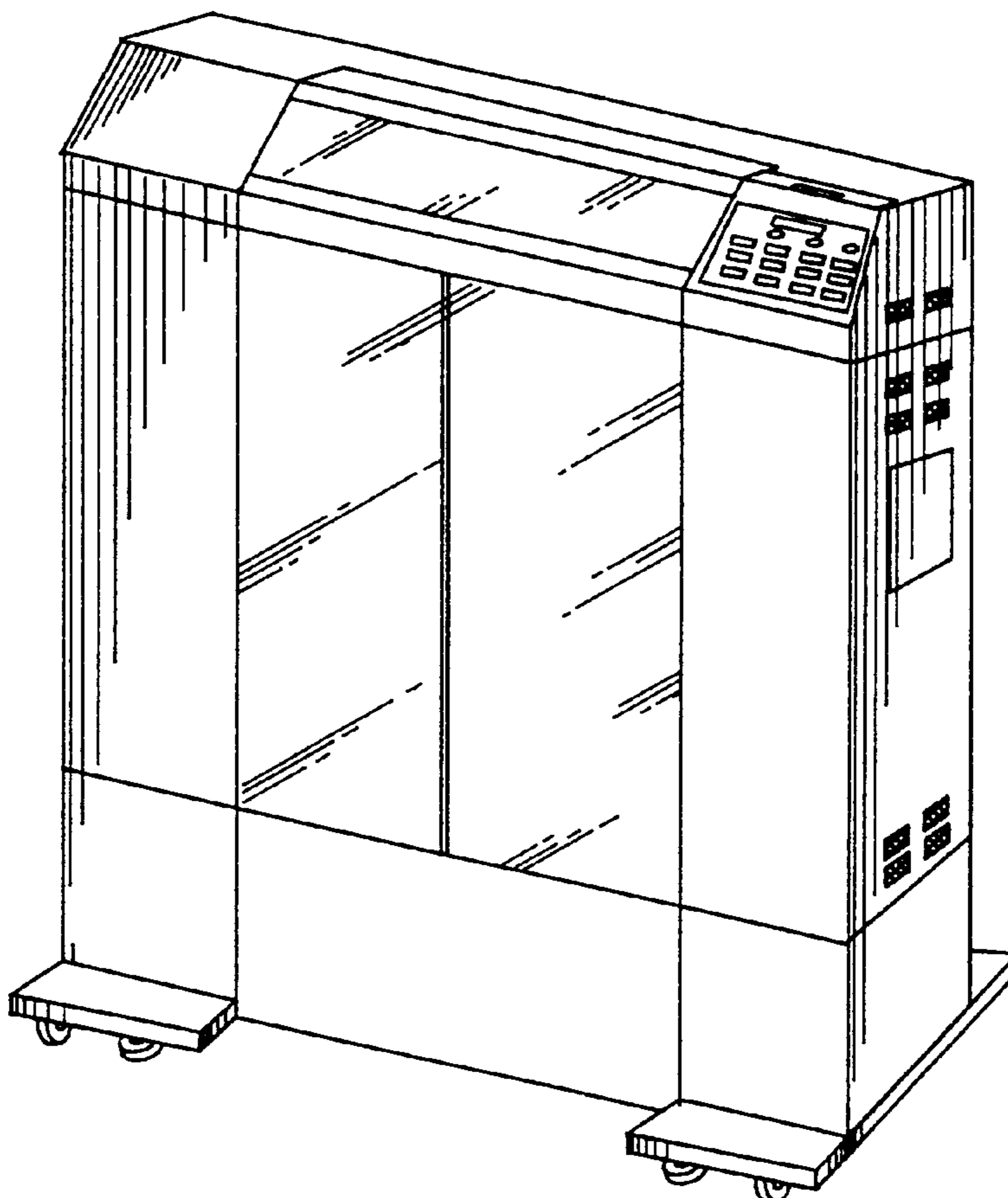
[57] **CLAIM**

The ornamental design for printer for electronic computer, as shown.

DESCRIPTION

FIG. 1 is a perspective view of a printer for electronic computer showing our new design; FIG. 2 is a plan view of FIG. 1; FIG. 3 is a front view of FIG. 1; FIG. 4 is a right side view of FIG. 1; FIG. 5 is a left side view of FIG. 1; FIG. 6 is a rear view of FIG. 1; and, FIG. 7 is a bottom view of FIG. 1.

1 Claim, 3 Drawing Sheets



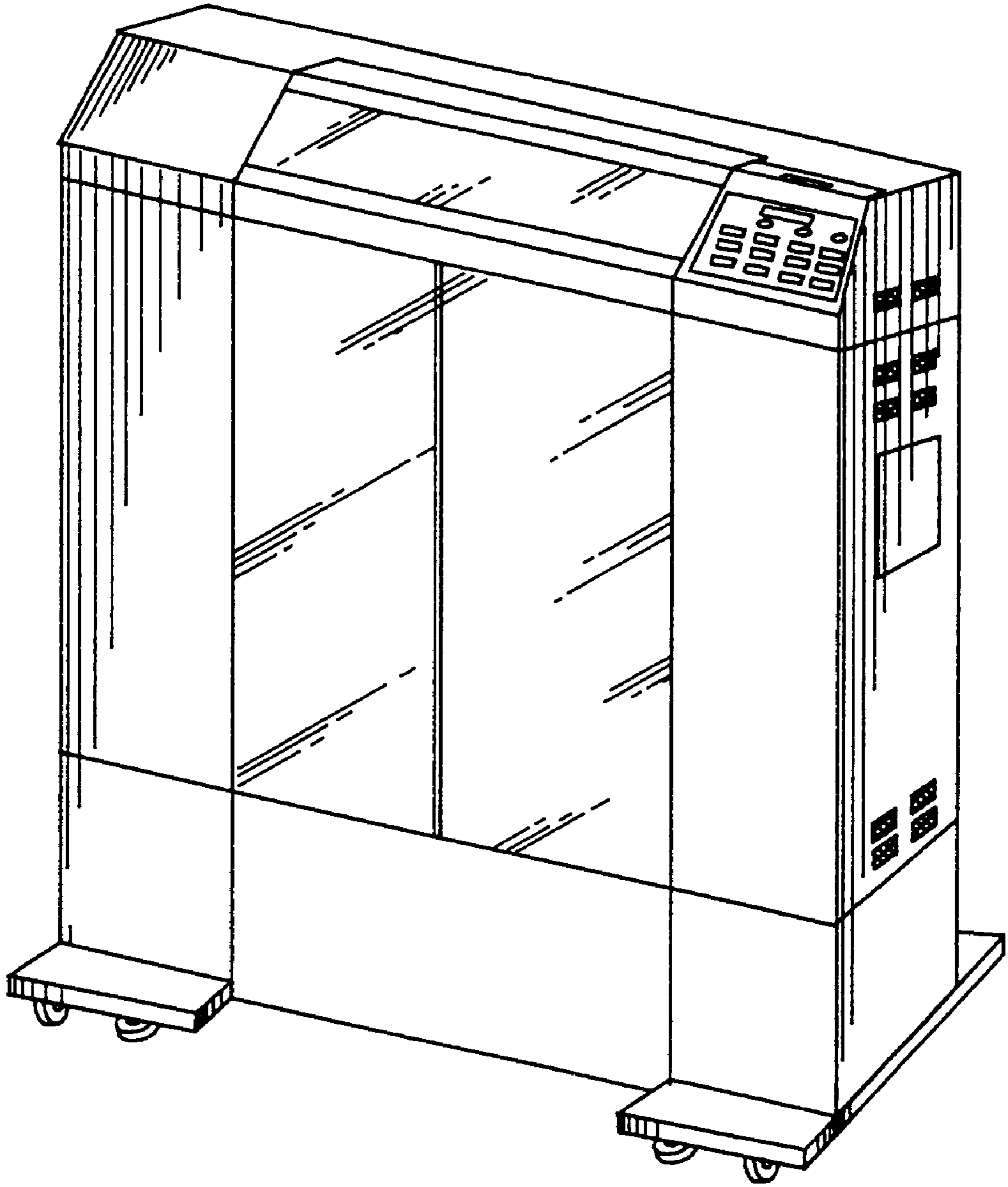


FIG. 1

FIG. 2

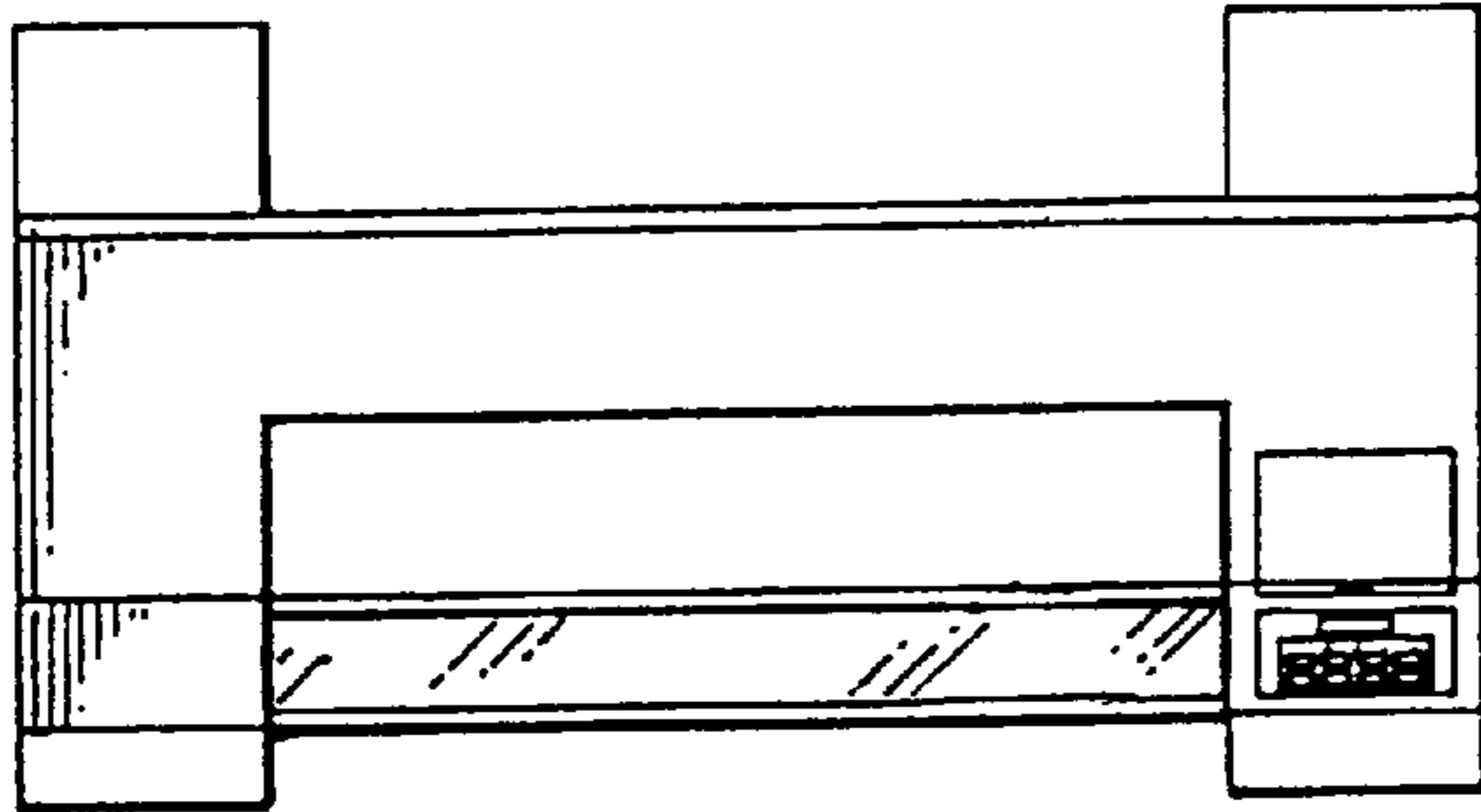


FIG. 3

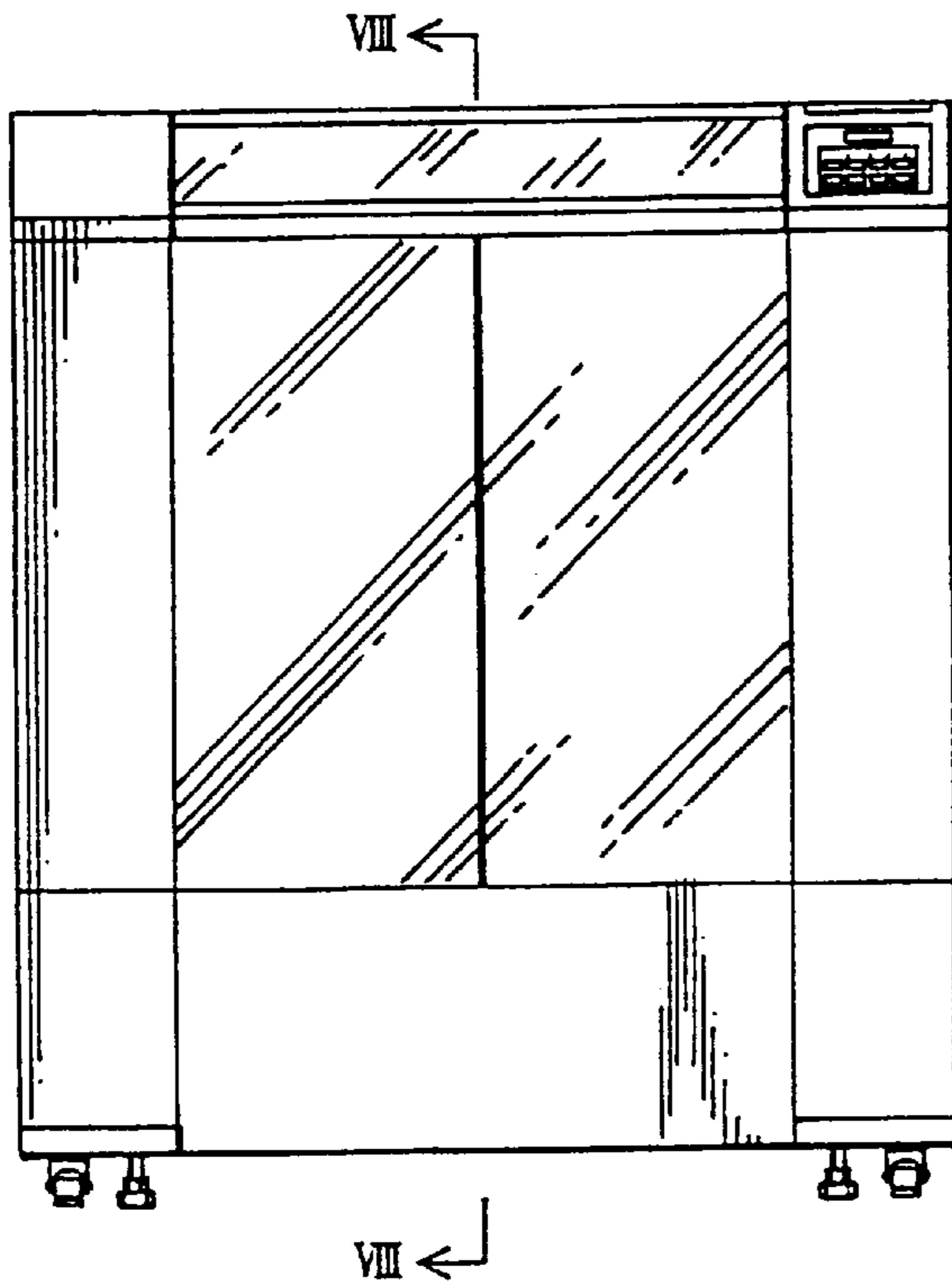


FIG. 4

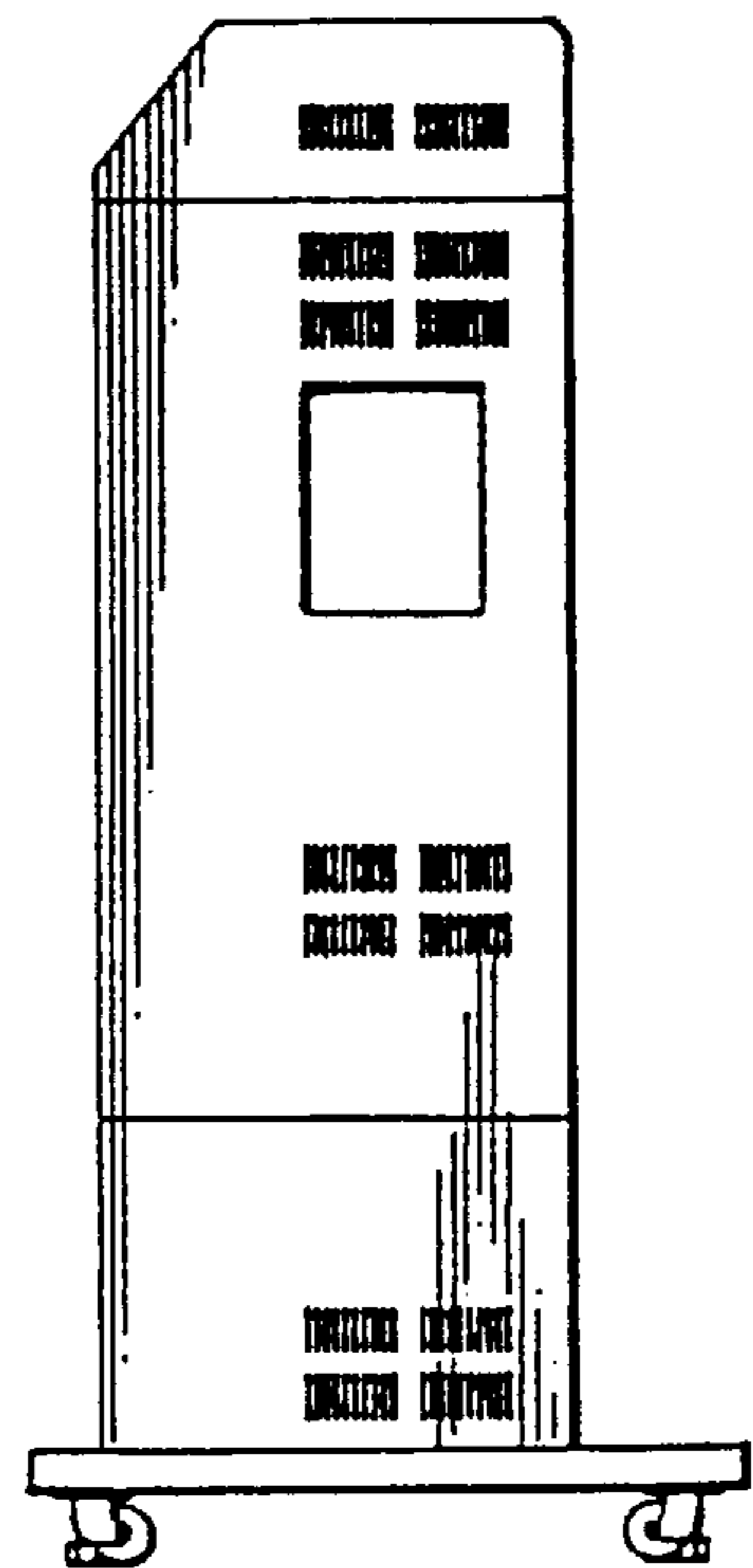


FIG. 5

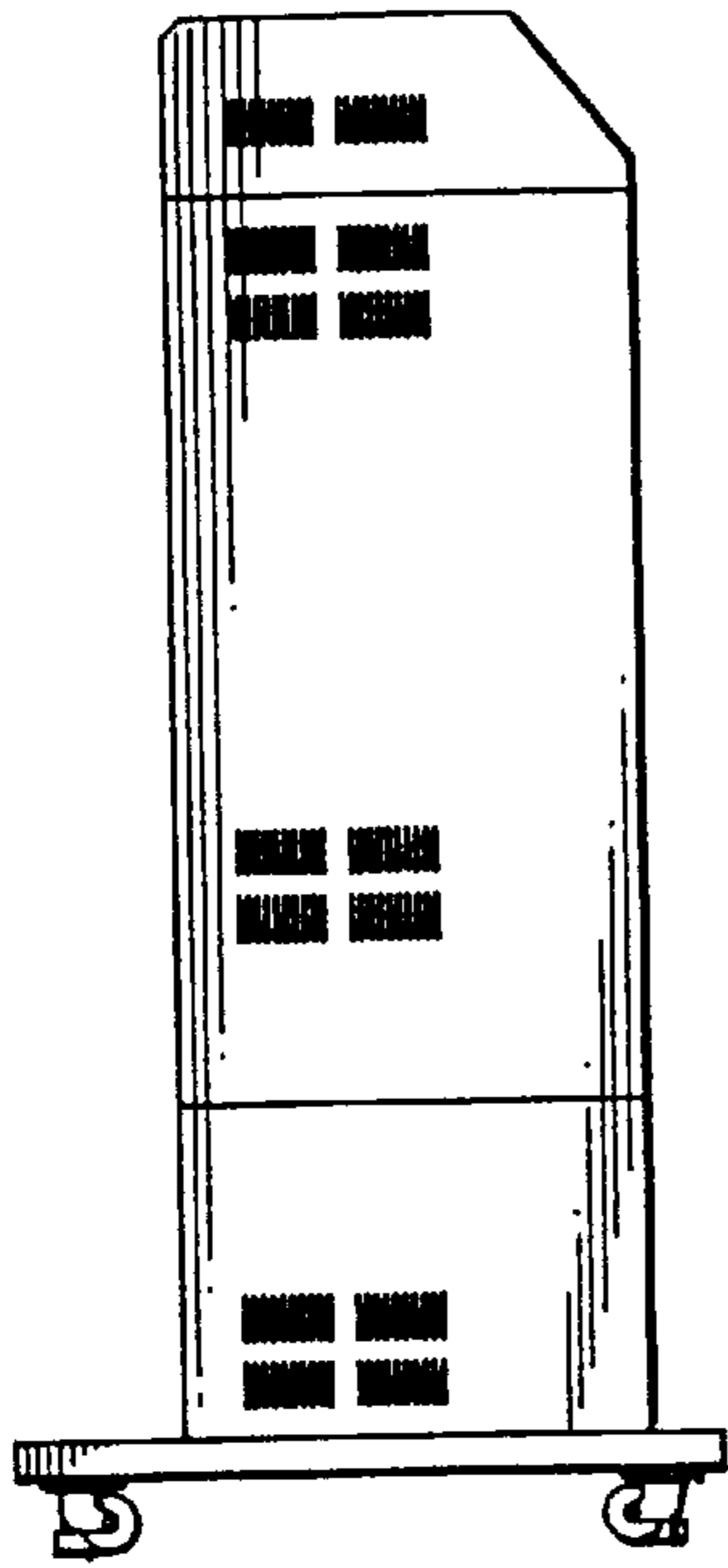


FIG. 6

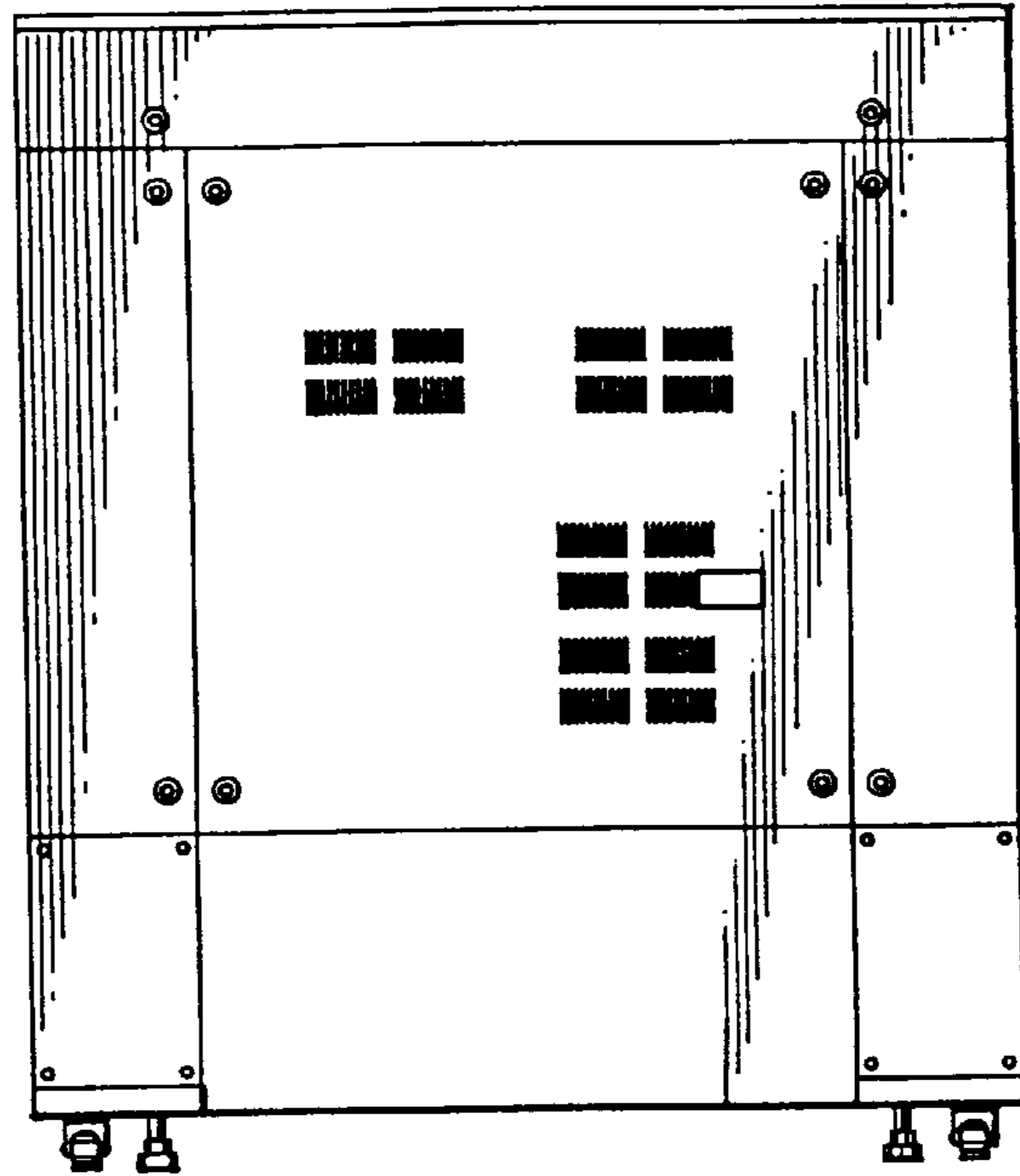


FIG. 7

