



US00D416570S

United States Patent [19] Hsueh

[11] **Patent Number: Des. 416,570**

[45] **Date of Patent: ** Nov. 16, 1999**

[54] **CAMERA**

[75] **Inventor: Miao-Chien Hsueh, Tu Cheng, Taiwan**

[73] **Assignee: Minton-Optic-Industry Company, Inc., Taipei Hsien, Taiwan**

[**] **Term: 14 Years**

[21] **Appl. No.: 29/089,988**

[22] **Filed: Jun. 26, 1998**

[51] **LOC (6) Cl. 16-01**

[52] **U.S. Cl. D16/218; D16/202**

[58] **Field of Search D16/200-206,
D16/208, 209, 216-218; 348/373-376;
358/909, 909.1; 396/535-543**

[56] **References Cited**

U.S. PATENT DOCUMENTS

D. 311,925 11/1990 Kikuchi D16/218

D. 385,572 10/1997 Hoshi et al. D16/209
D. 387,078 12/1997 Akita D16/202
4,420,773 12/1983 Toyoda et al. 358/906
4,456,931 6/1984 Toyoda et al. 358/906

Primary Examiner—Adir Aronovich
Attorney, Agent, or Firm—Pollock, Vande Sande & Amernick, R.L.L.P.

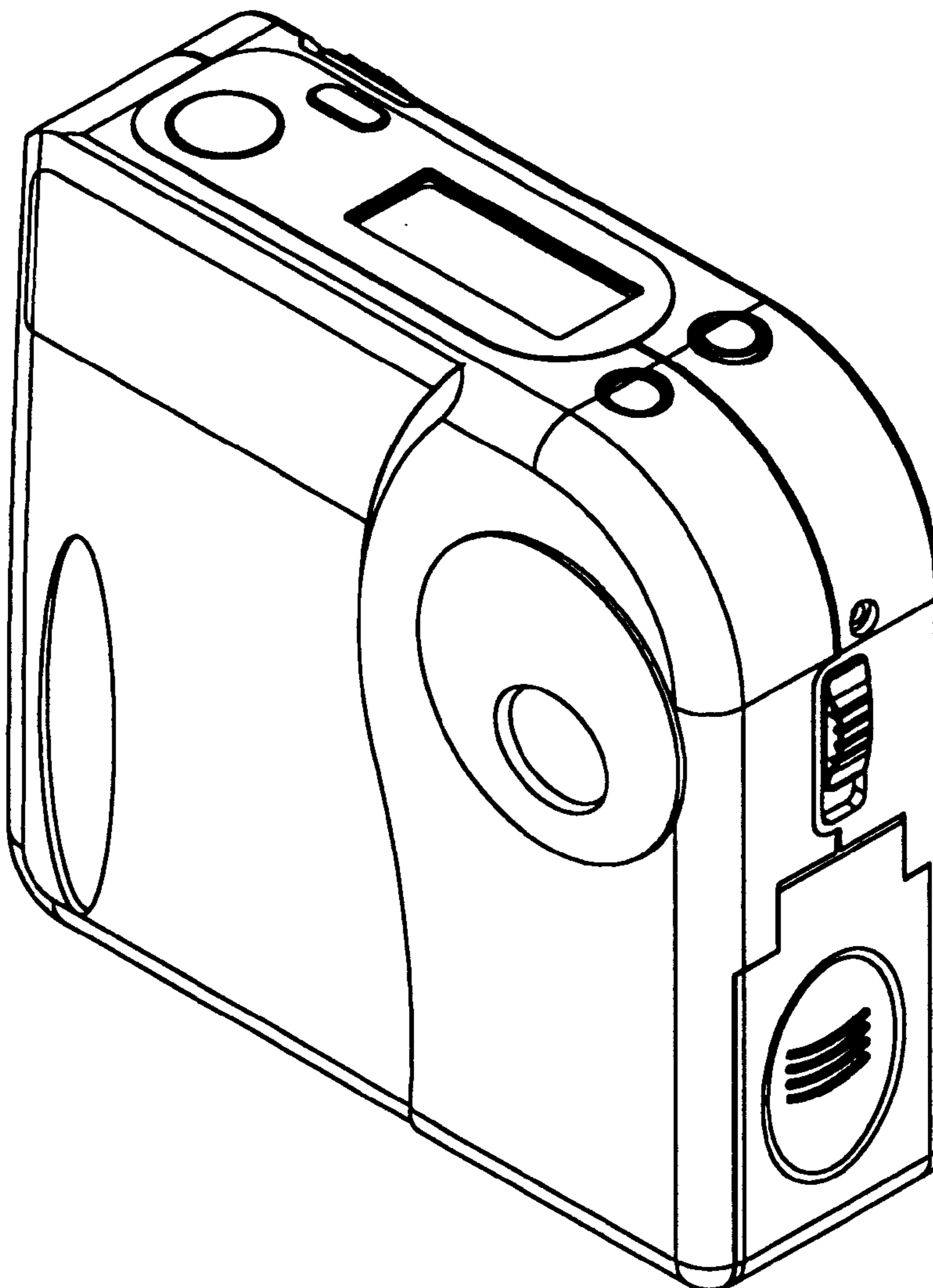
[57] CLAIM

The ornamental design for a camera, as shown.

DESCRIPTION

FIG. 1 is a perspective view of a camera showing my design;
FIG. 2 is a front view thereof;
FIG. 3 is a top view thereof;
FIG. 4 is a bottom view thereof;
FIG. 5 is a rear view thereof;
FIG. 6 is a right side view thereof; and,
FIG. 7 is a left side view thereof.

1 Claim, 3 Drawing Sheets



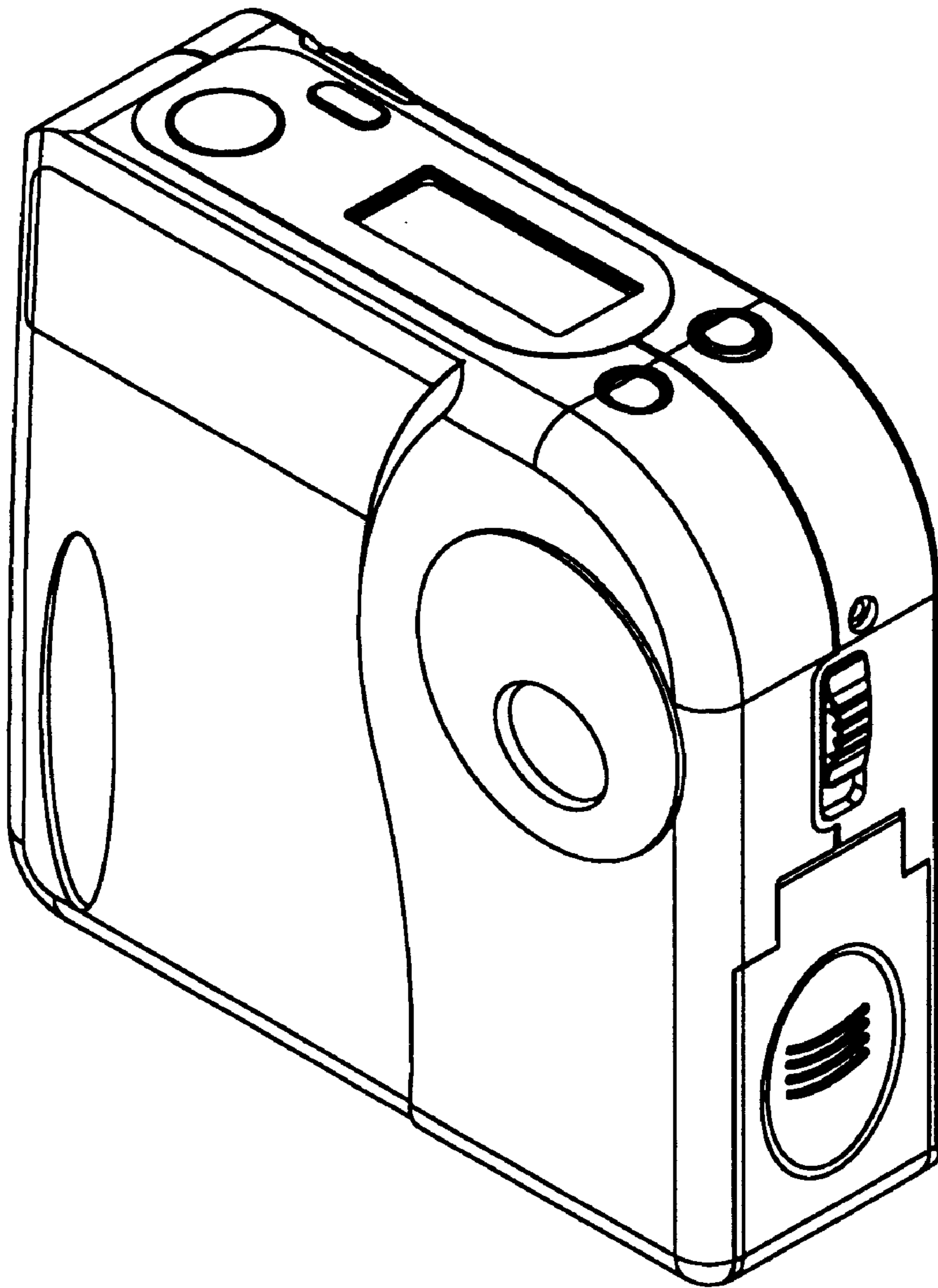


FIG. 1

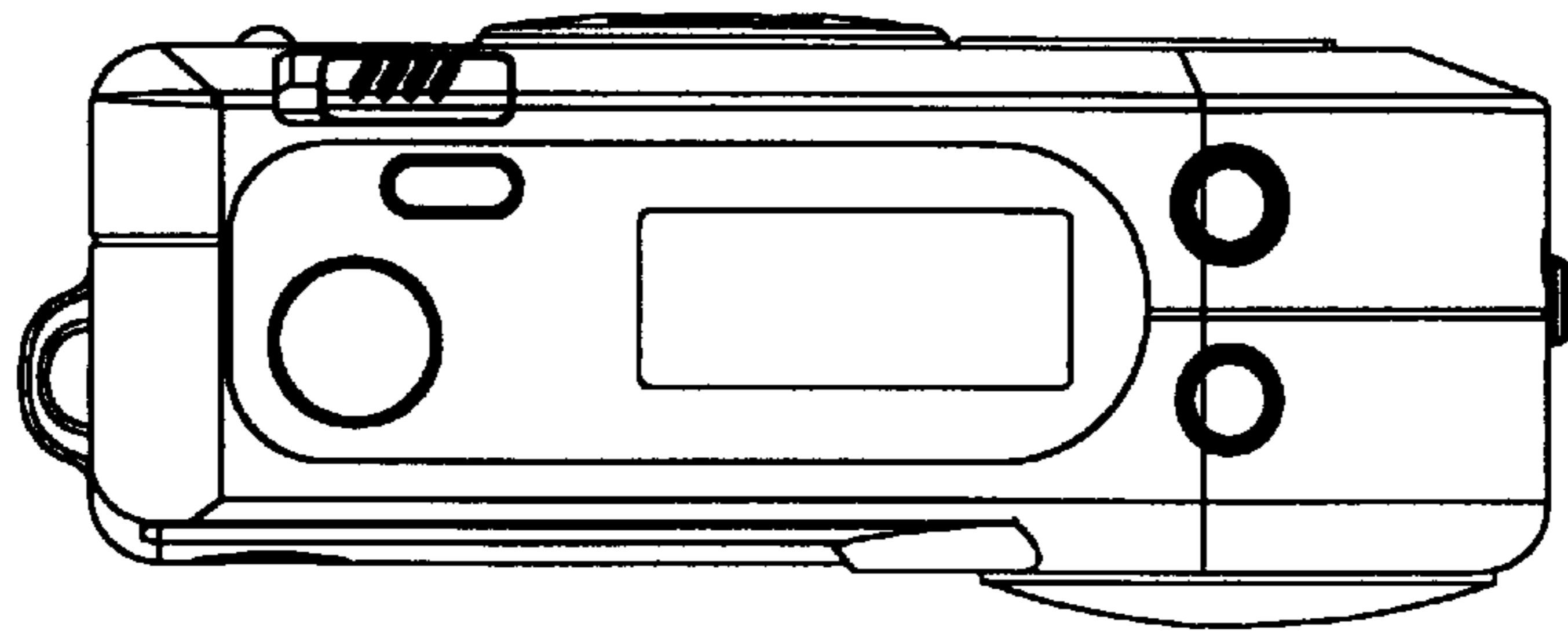


FIG. 3

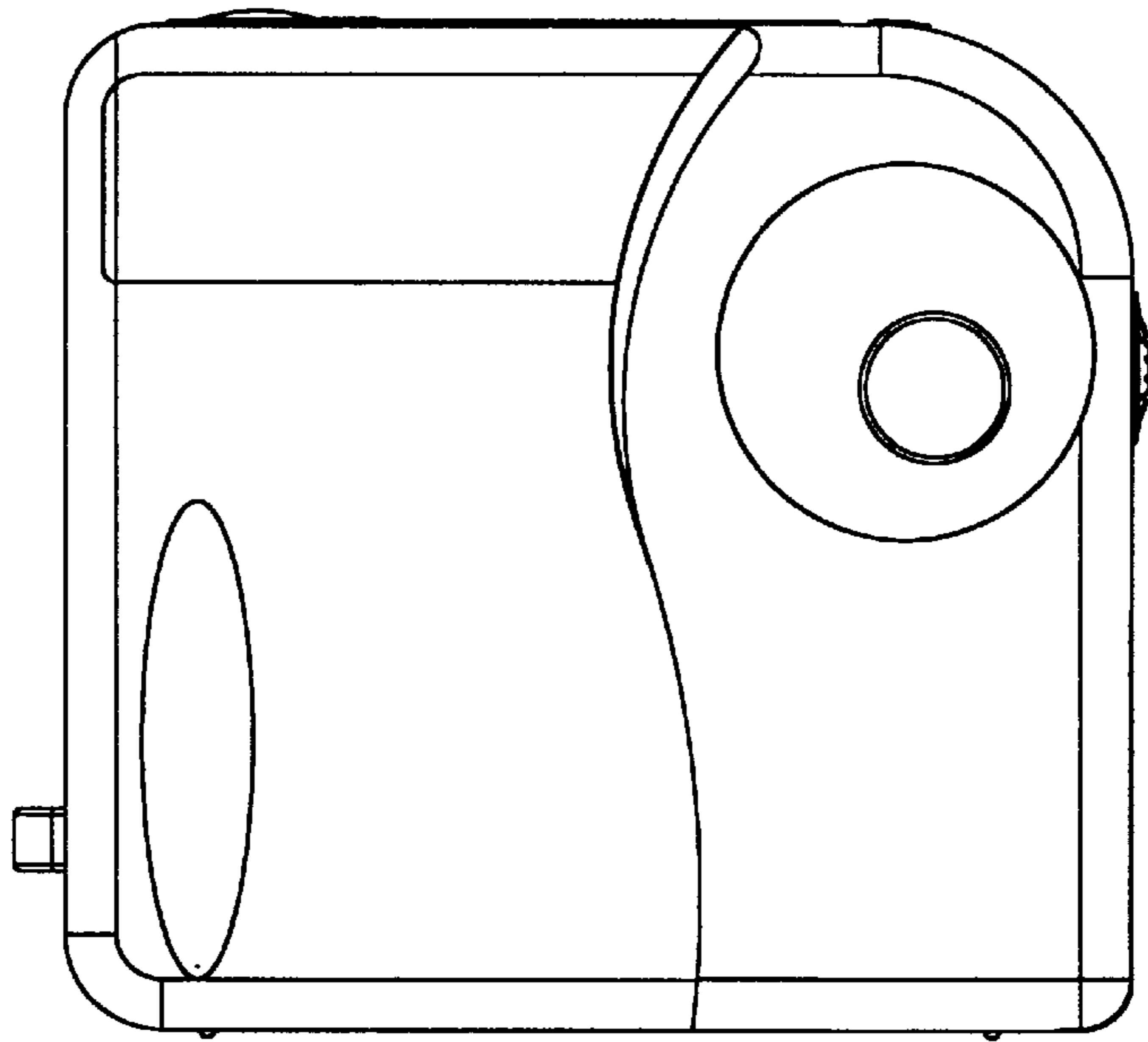


FIG. 2

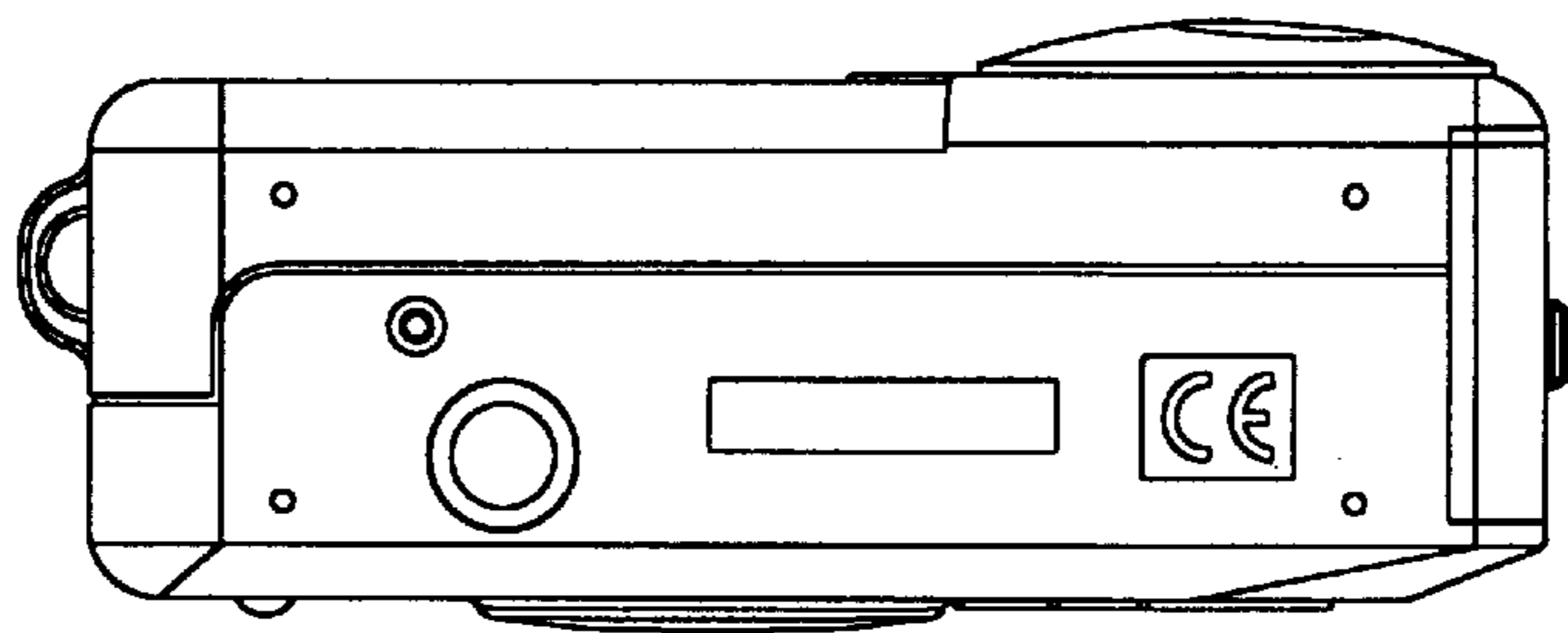


FIG. 4

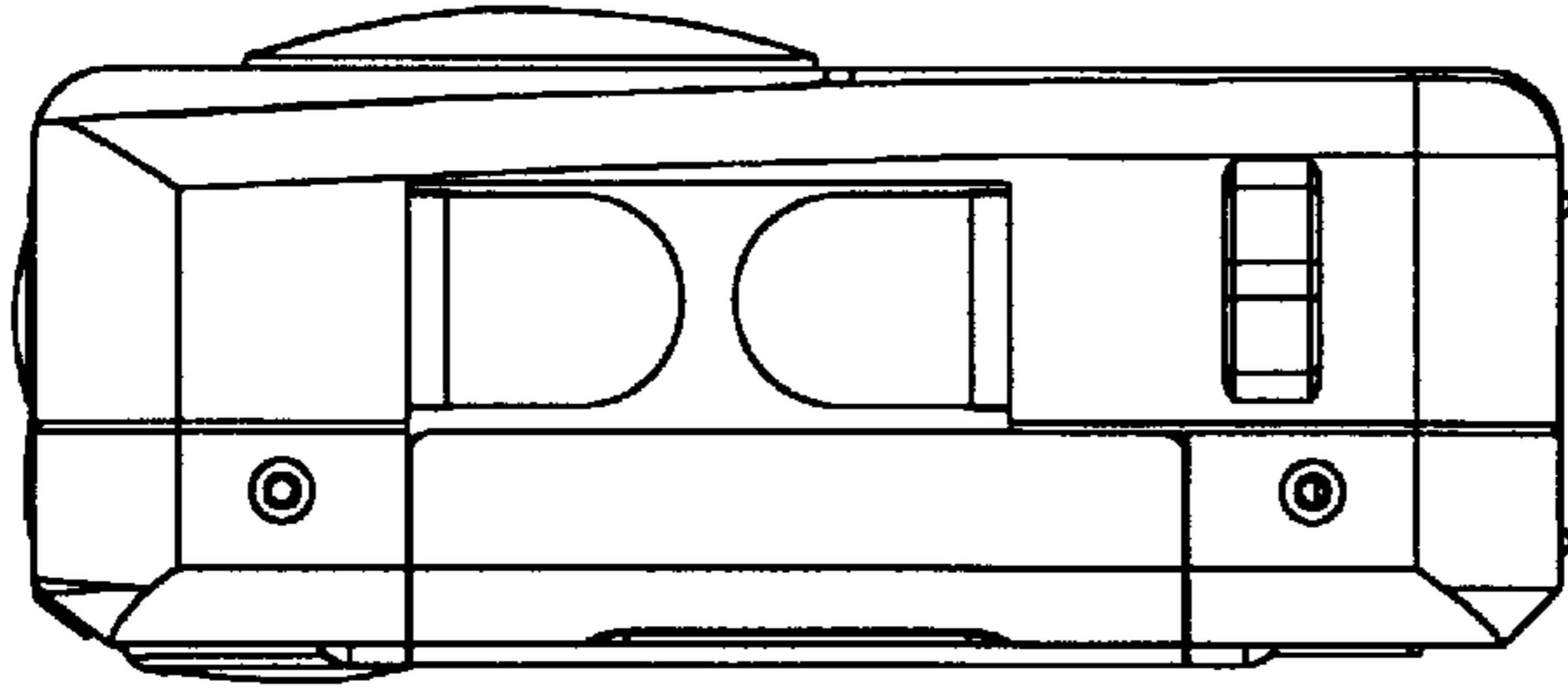


FIG. 7

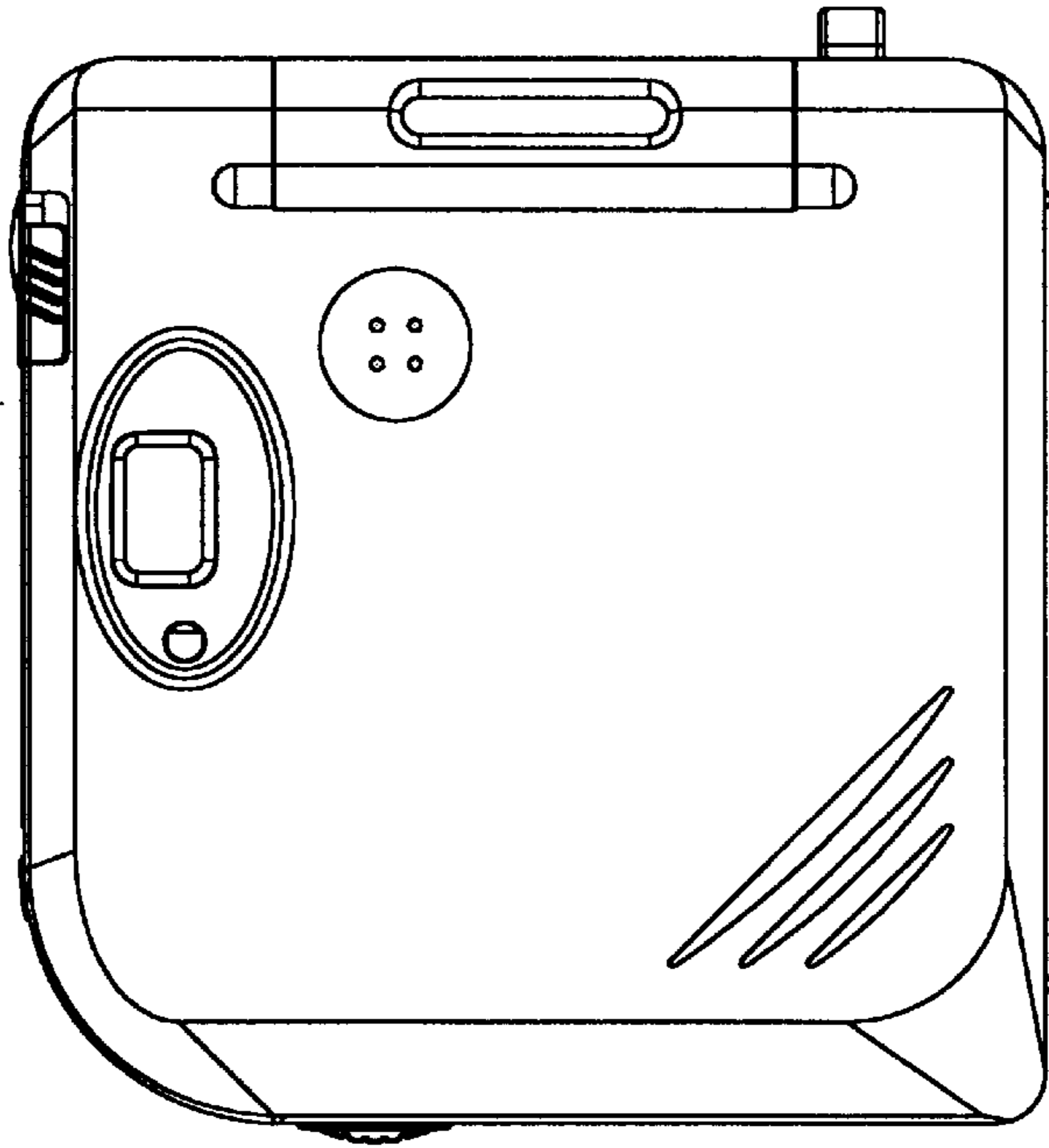


FIG. 5

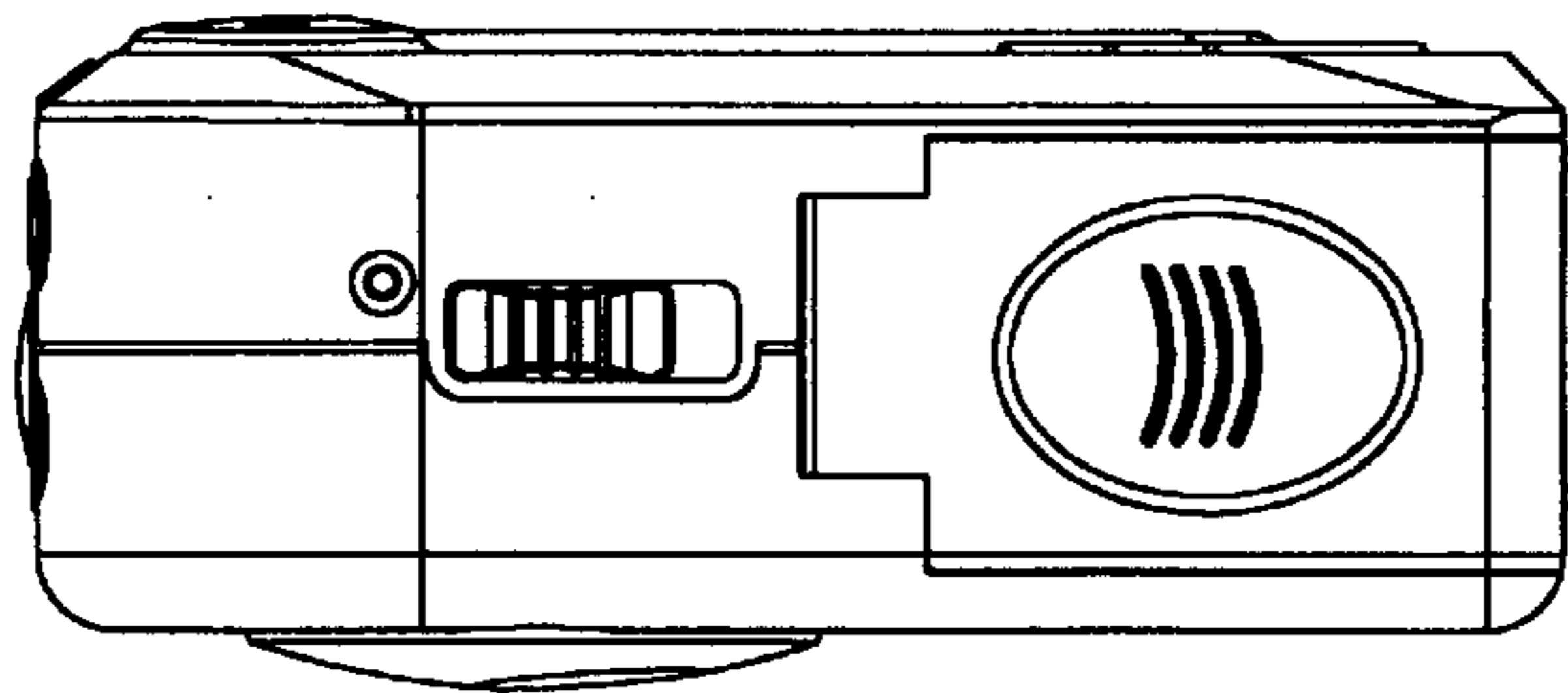


FIG. 6