



US00D416566S

United States Patent [19]

Perez

[11] Patent Number: Des. 416,566

[45] Date of Patent: ** Nov. 16, 1999

[54] TOOL FOR BENDING REBAR

[76] Inventor: Peter Paul Perez, P.O. Box 754, Point Arena, Calif. 95468

[**] Term: 14 Years

[21] Appl. No.: 29/093,183

[22] Filed: Sep. 4, 1998

[51] LOC (6) Cl. 15-09

[52] U.S. Cl. D15/123

[58] Field of Search D15/123; 72/463, 72/467, 469, 386, 389.1-389.9, 390.1-390.7, 391.2, 391.4, 391.6, 391.8

[56] **References Cited**

U.S. PATENT DOCUMENTS

343,962	6/1886	Mack .	
D. 365,260	12/1995	Austinson	D8/32
1,636,786	7/1927	Rolley .	
3,209,577	10/1965	Teplow	72/389
3,333,449	8/1967	Rebsamen	72/93
3,438,233	4/1969	Manning	72/219
3,507,144	4/1970	Fisher	72/389

3,894,422	7/1975	Peddinghaus	72/217
4,594,875	6/1986	Schweitzer	72/389
4,798,078	1/1989	Schweitzer	72/389
4,945,751	8/1990	Ireland	72/384
5,125,825	6/1992	Janosco	72/386 X
5,653,139	8/1997	Lee	72/217

Primary Examiner—Antoine Duval Davis
Attorney, Agent, or Firm—Goldstein & Canino

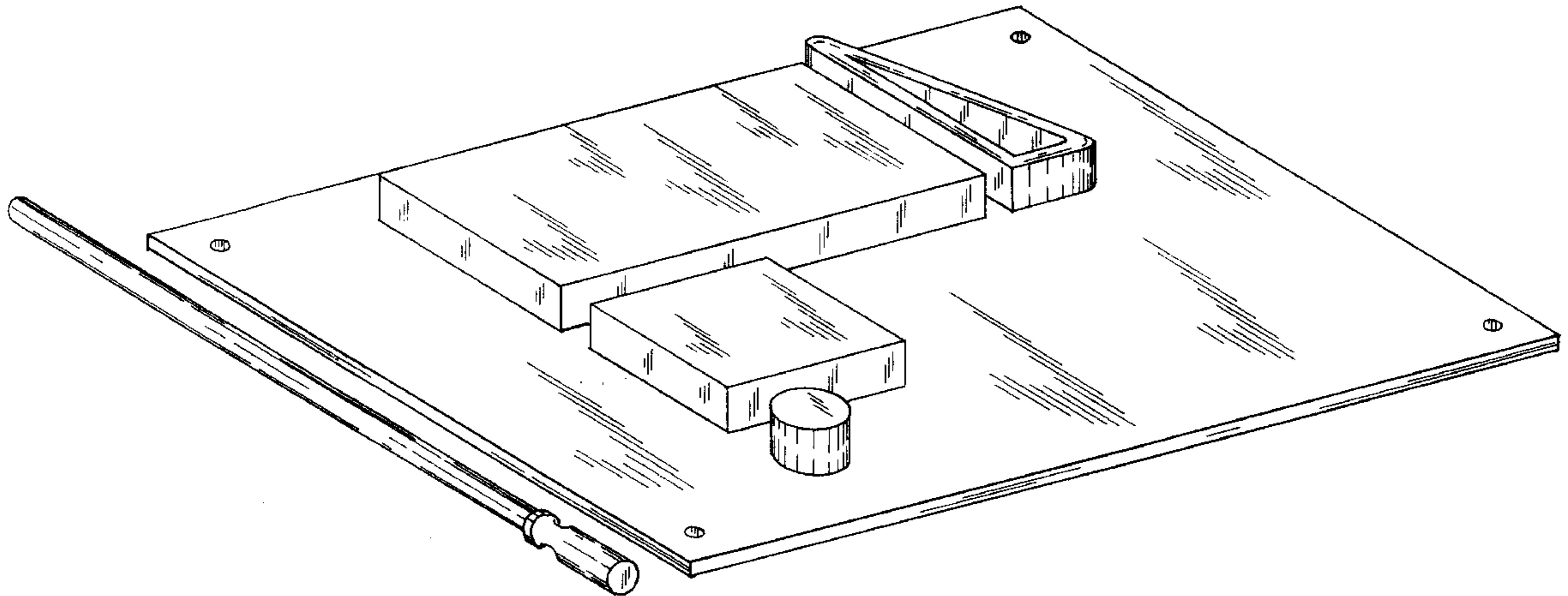
[57] **CLAIM**

The ornamental design for a tool for bending rebar, as shown and described.

DESCRIPTION

FIG. 1 is a diagrammatic perspective view of the tool for bending rebar.
FIG. 2 is a top plan view thereof.
FIG. 3 is a bottom plan view thereof.
FIG. 4 is a front elevational view thereof.
FIG. 5 is a rear elevational view thereof.
FIG. 6 is a right side elevational view of the tool for bending rebar; and,
FIG. 7 is a left side elevational view thereof.

1 Claim, 3 Drawing Sheets



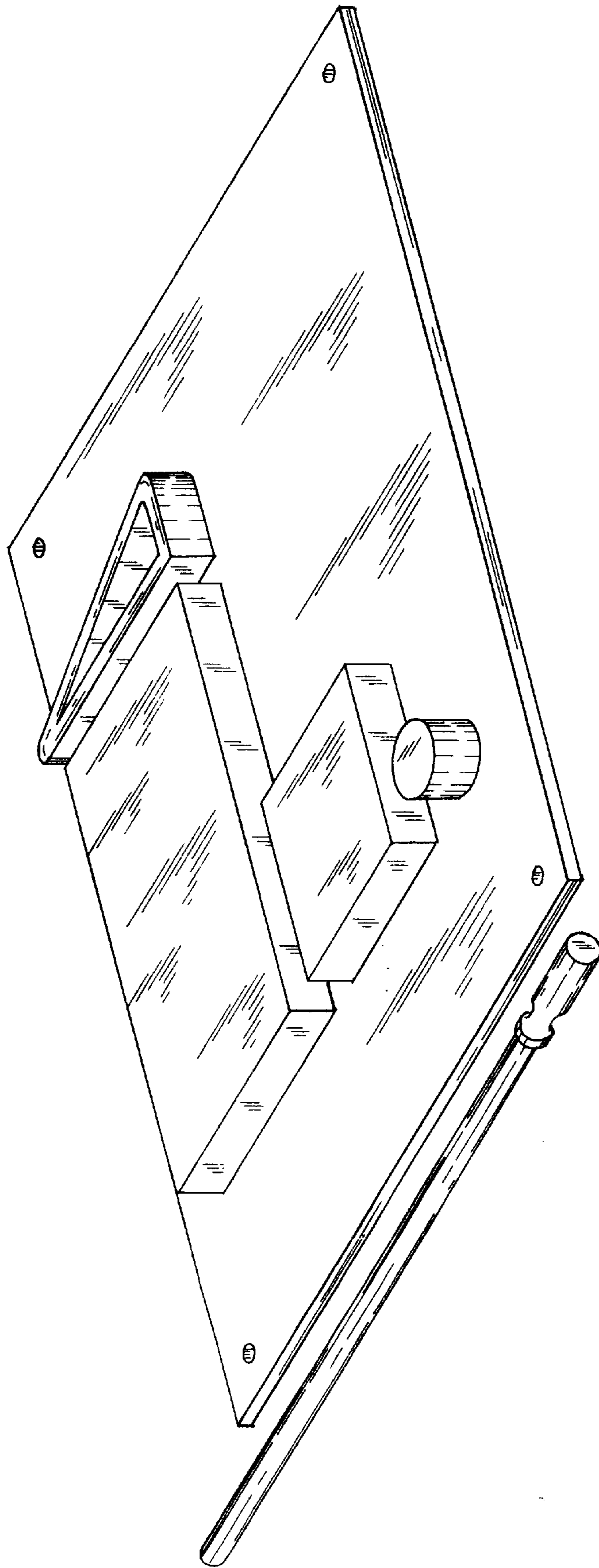


FIG. 1

FIG. 2

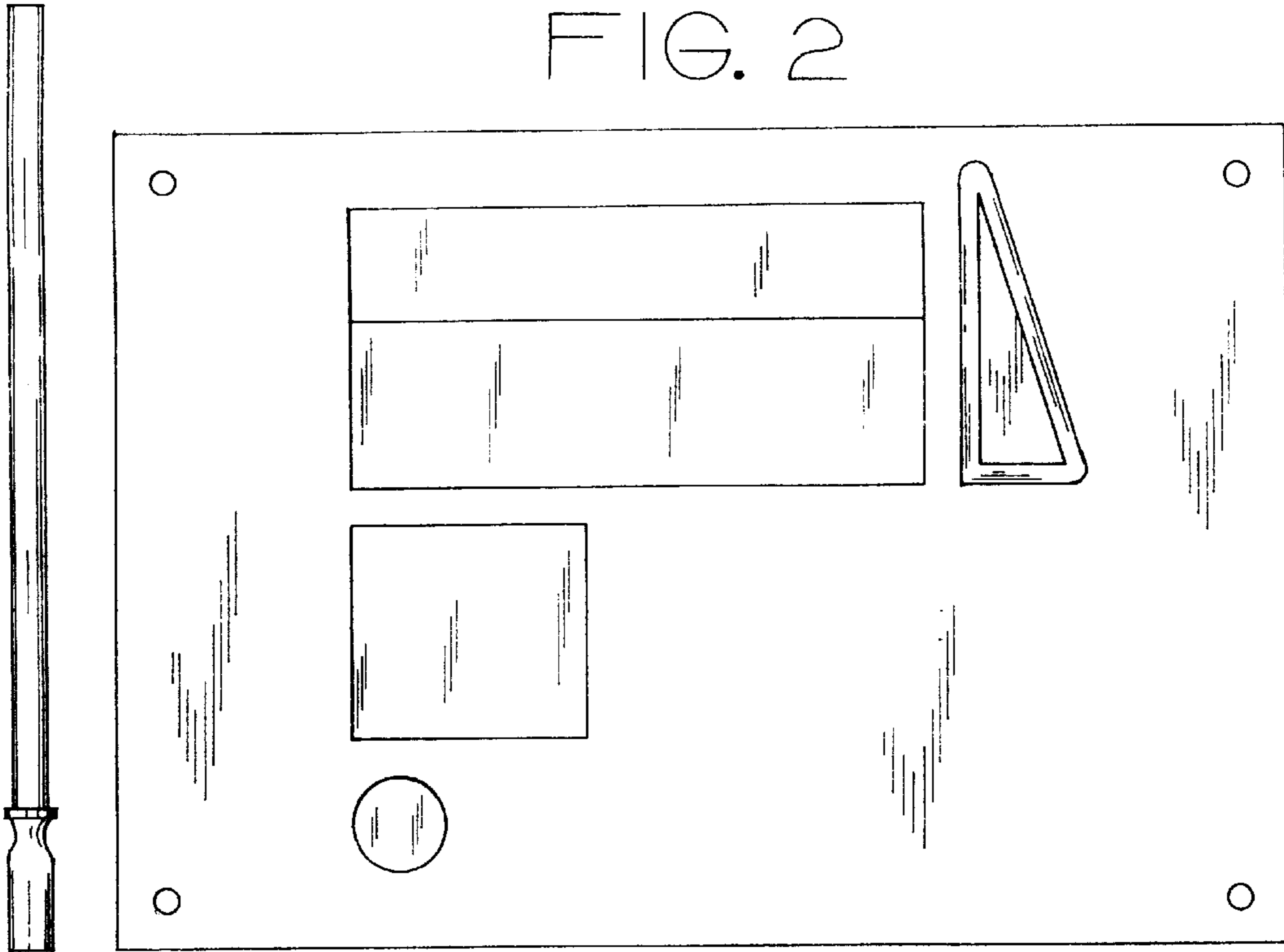


FIG. 3

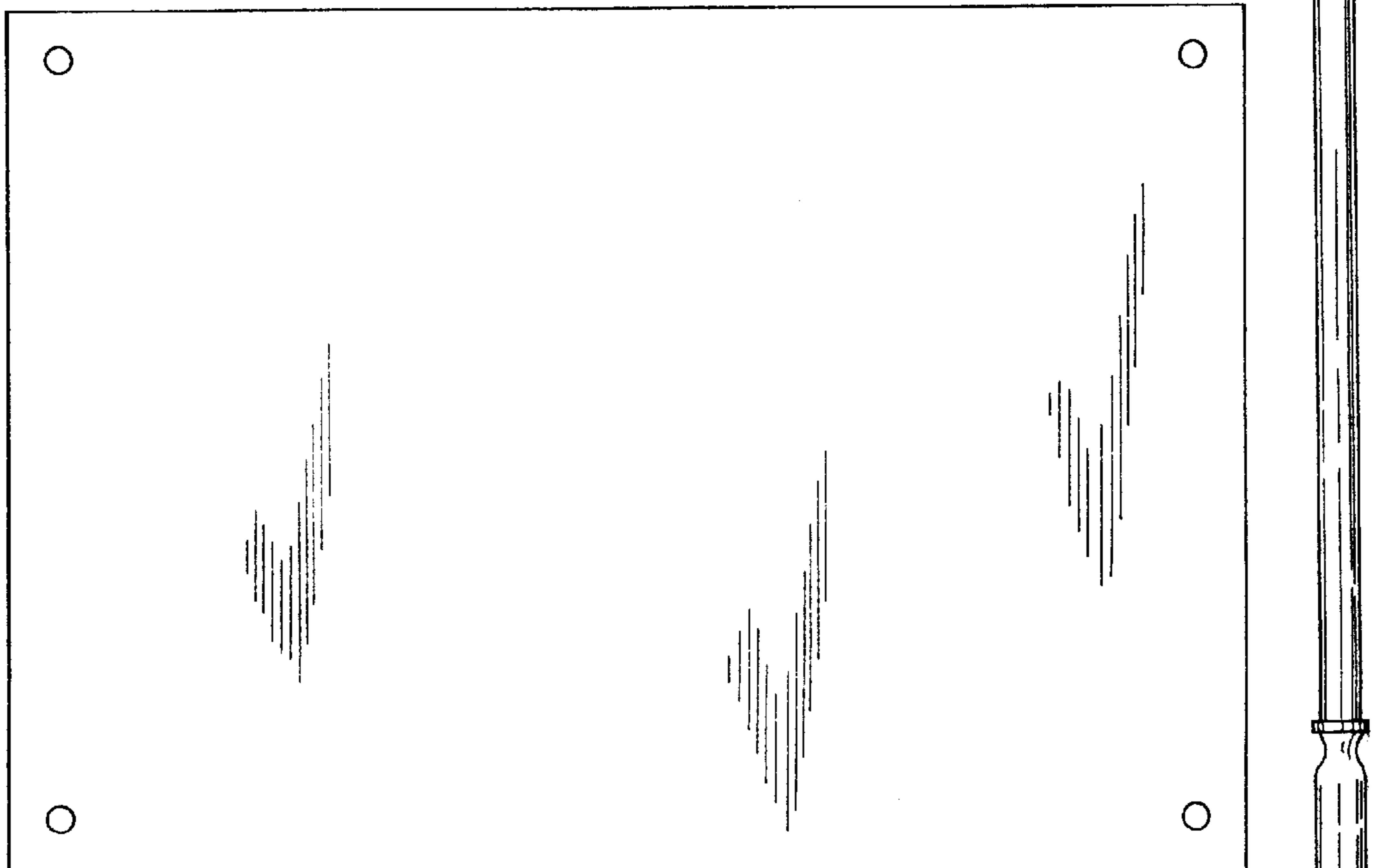


FIG. 4

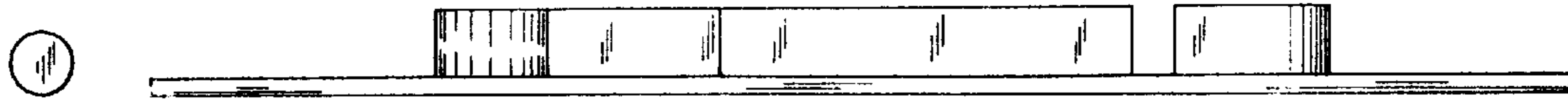


FIG. 5

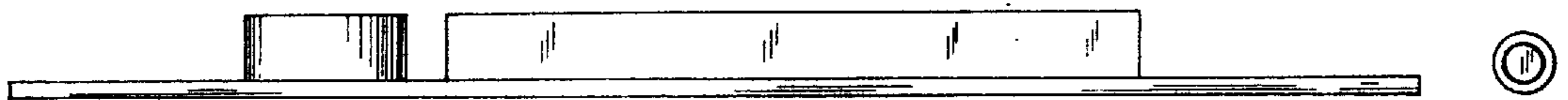


FIG. 6



FIG. 7

